

US00D604080S

(12) **United States Design Patent**
Stolp

(10) **Patent No.:** **US D604,080 S**

(45) **Date of Patent:** **** Nov. 17, 2009**

(54) **FOLDING TABLE/HATCH**

(76) **Inventor:** **Andrew Stolp**, Nomadic Solutions Pty
Ltd, 591 Cape Hillsborough Road, Cape
Hillsborough, Queensland (AU) 4740

(**) **Term:** **14 Years**

(21) **Appl. No.:** **29/318,974**

(22) **Filed:** **Jun. 1, 2008**

(51) **LOC (9) Cl.** **06-04**

(52) **U.S. Cl.** **D6/555**

(58) **Field of Classification Search** D6/553,
D6/555, 567, 569; 312/114, 126, 128-129,
312/204, 231, 234, 242, 245; 211/13.1, 14,
211/88.01, 134, 126.1

See application file for complete search history.

(56) **References Cited**

U.S. PATENT DOCUMENTS

D378,966 S * 4/1997 Helmsderfer D6/555

D397,893 S * 9/1998 Helmsderfer D6/555

D416,155 S * 11/1999 Helmsderfer et al. D6/555

D422,826 S * 4/2000 Wenger et al. D6/553

D496,550 S * 9/2004 Fichman D6/555

D544,275 S * 6/2007 Tanus D6/555

D549,025 S * 8/2007 Van Alstyne D6/555

FOREIGN PATENT DOCUMENTS

AU 318713 6/2008

* cited by examiner

Primary Examiner—Brian N Vinson

(57) **CLAIM**

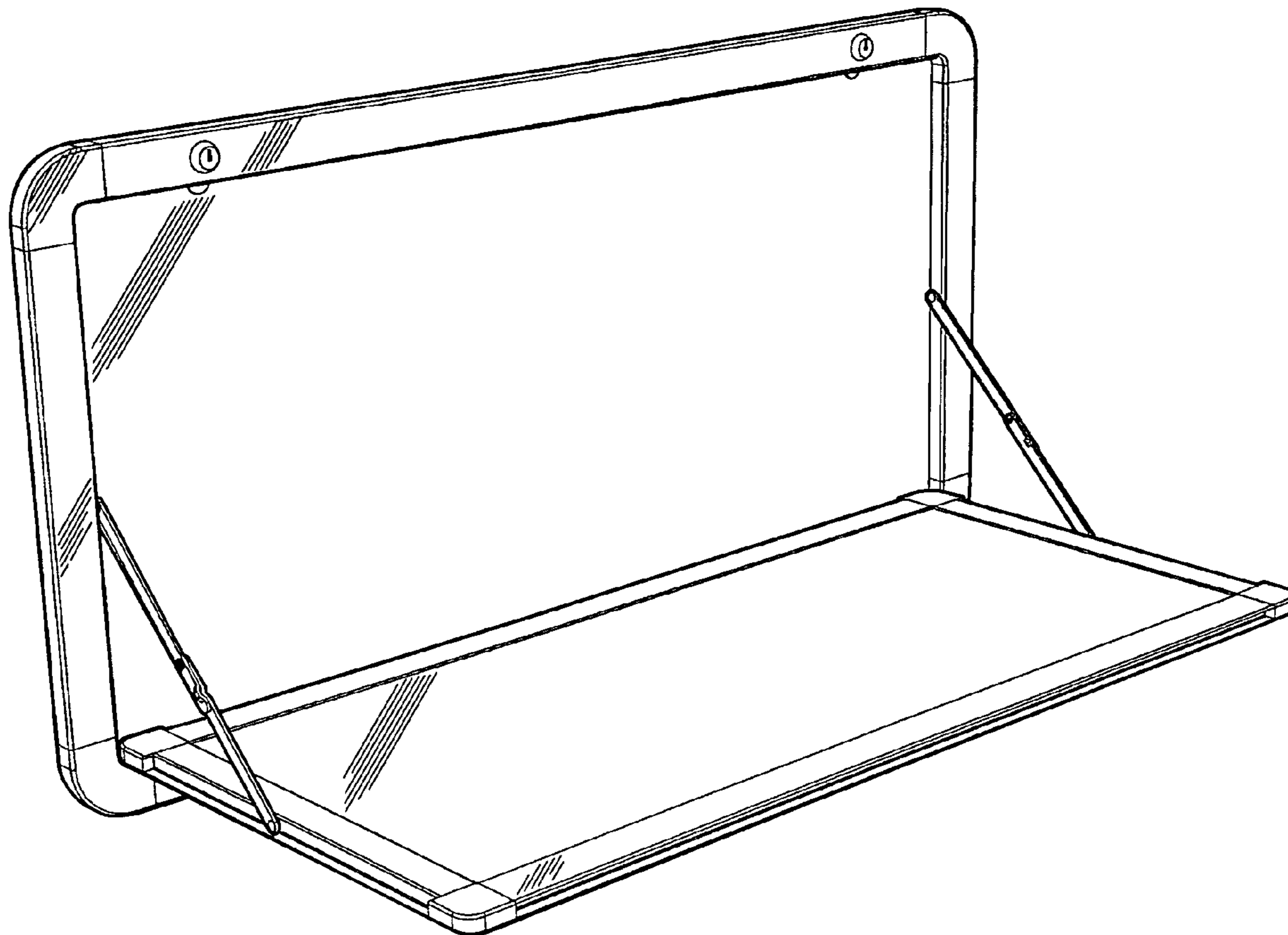
The ornamental design for a folding table/hatch, as shown and described.

DESCRIPTION

FIG. 1 shows a top, front, and left side perspective view of a folding table/hatch in the closed position when installed onto a suitable vertical wall; and,

FIG. 2 shows a top, front, and left side perspective view thereof, in the open position.

1 Claim, 2 Drawing Sheets



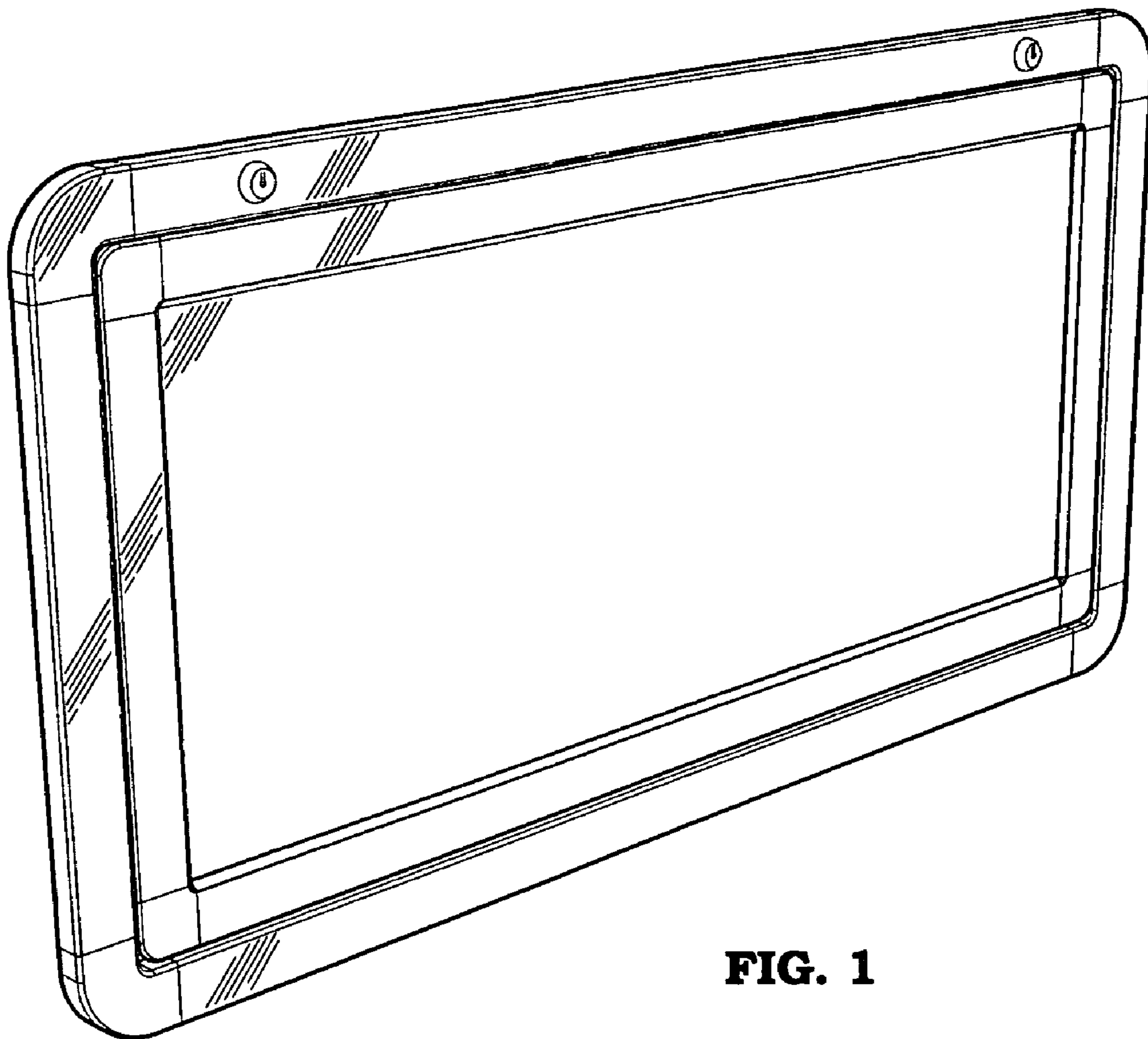


FIG. 1

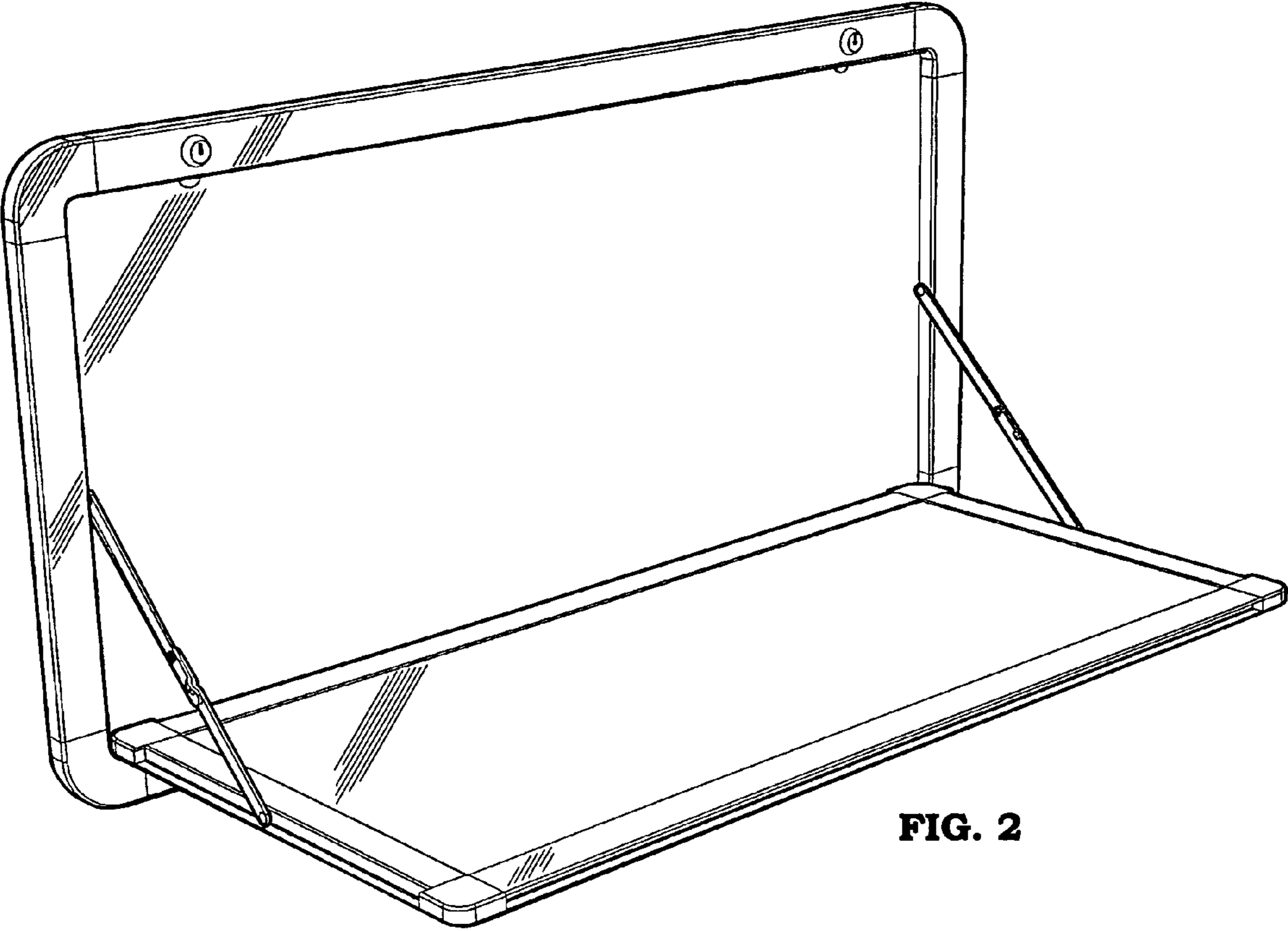


FIG. 2