



US00D604078S

(12) **United States Design Patent**
Cardenas

(10) **Patent No.:** **US D604,078 S**

(45) **Date of Patent:** **** Nov. 17, 2009**

(54) **RIFLE REST**

5,597,363 A * 1/1997 Leote 248/175
D400,612 S * 11/1998 Rubin D21/698
D401,295 S * 11/1998 Young D21/698

(76) Inventor: **John Cardenas**, c/o 5232 Alcoa Ave.,
Vernon, CA (US) 90058

* cited by examiner

(**) Term: **14 Years**

Primary Examiner—Brian N Vinson

(21) Appl. No.: **29/312,854**

(74) *Attorney, Agent, or Firm*—Curtis L. Harrington; Kathy
E. Harrington; Harrington & Harrington

(22) Filed: **Nov. 17, 2008**

(57) **CLAIM**

(51) **LOC (9) Cl.** **08-08**

The ornamental design for a rifle rest, as shown and
described.

(52) **U.S. Cl.** **D6/552**

(58) **Field of Classification Search** D6/329,
D6/396, 417, 552, 553, 567; D21/385, 662,
D21/698; 211/13.1, 49.1, 60.1, 64, 70.5,
211/86.01, 87.01, 88.01, 89.01, 181.1; 248/560,
248/121, 175, 200, 302, 304, 309.1, 310,
248/312

DESCRIPTION

See application file for complete search history.

FIG. 1 is a perspective view of the rifle rest, shown in use with
a shotgun and a rifle shown in dashed line format for envi-
ronmental purposes and forming no part of the invention
hereof;

(56) **References Cited**

FIG. 2 is a further perspective view;

U.S. PATENT DOCUMENTS

FIG. 3 is a front plan view;

- 2,275,870 A * 3/1942 Sheldon 211/60.1
- 3,584,820 A * 6/1971 Butcher, Sr. 211/60.1
- 4,144,971 A * 3/1979 Balibrea 211/64
- 4,271,969 A * 6/1981 Gnesa 211/64
- D314,287 S * 2/1991 Albright, Sr. D6/417
- D345,660 S * 4/1994 Mobley D6/417
- D360,248 S * 7/1995 Wright D21/698
- D363,849 S * 11/1995 Bruns et al. D6/552

FIG. 4 is a rear plan view;

FIG. 5 is a left side view;

FIG. 6 is a right side view;

FIG. 7 is a top view; and,

FIG. 8 is a bottom view.

1 Claim, 3 Drawing Sheets

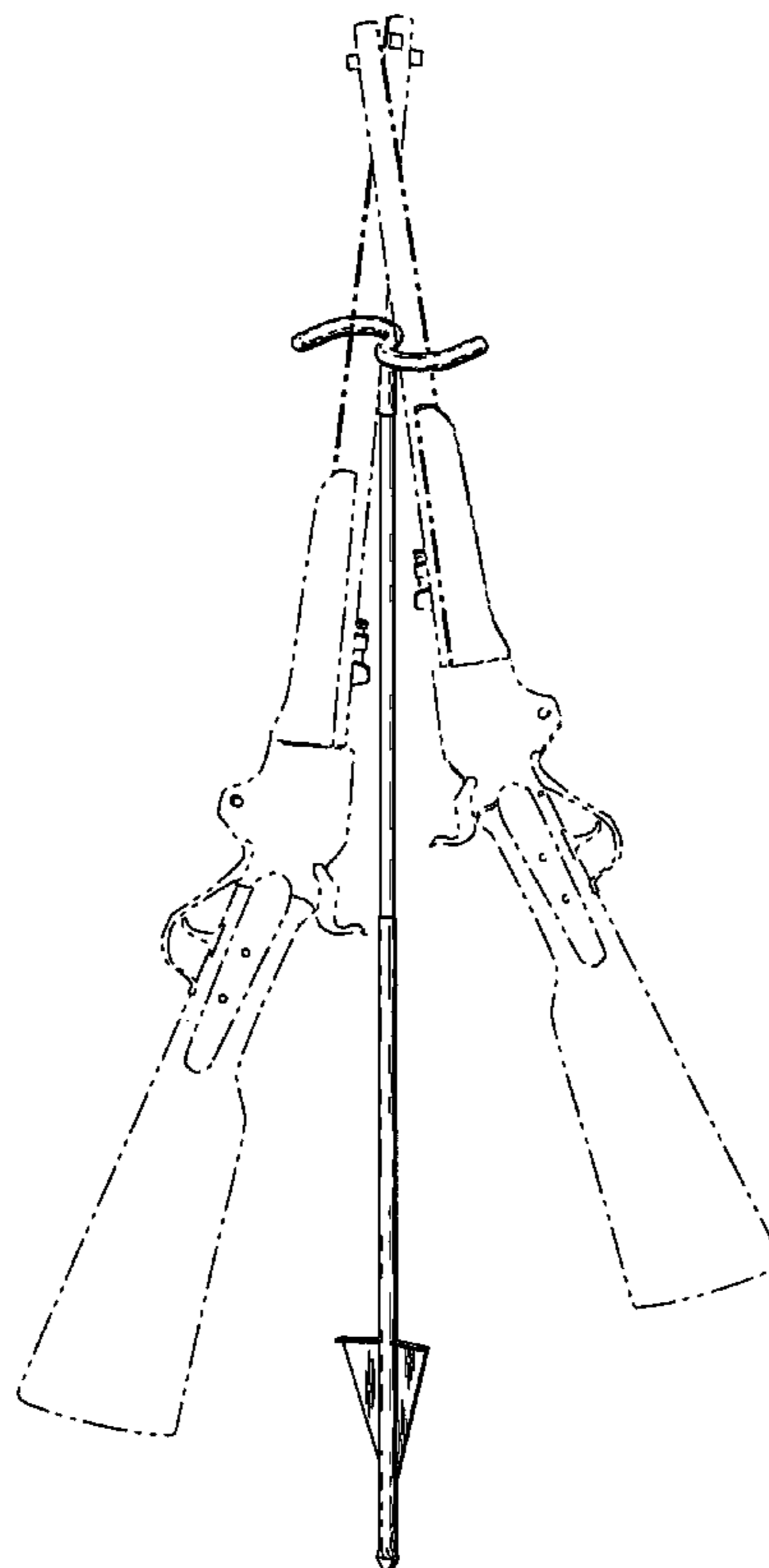
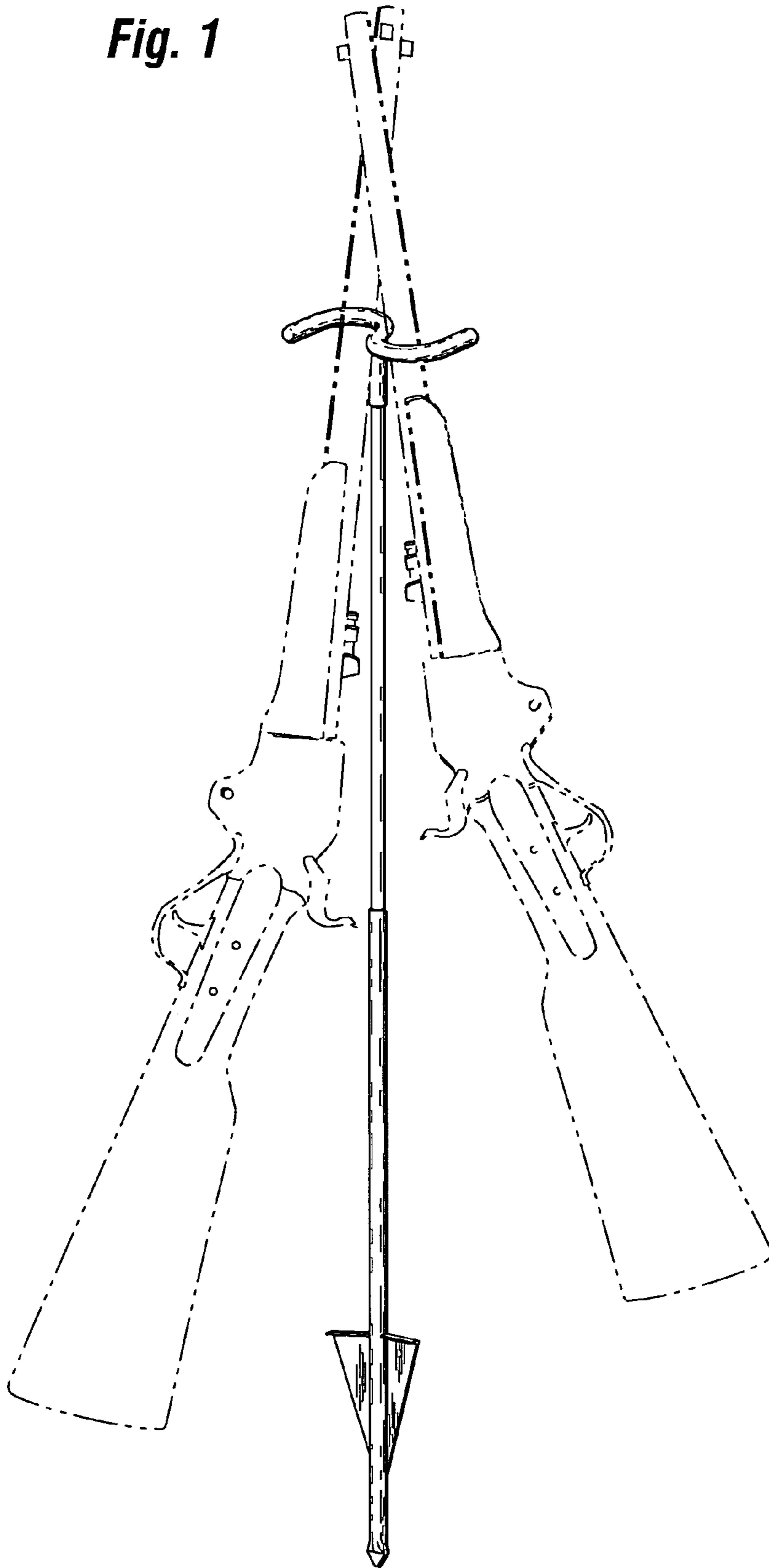


Fig. 1



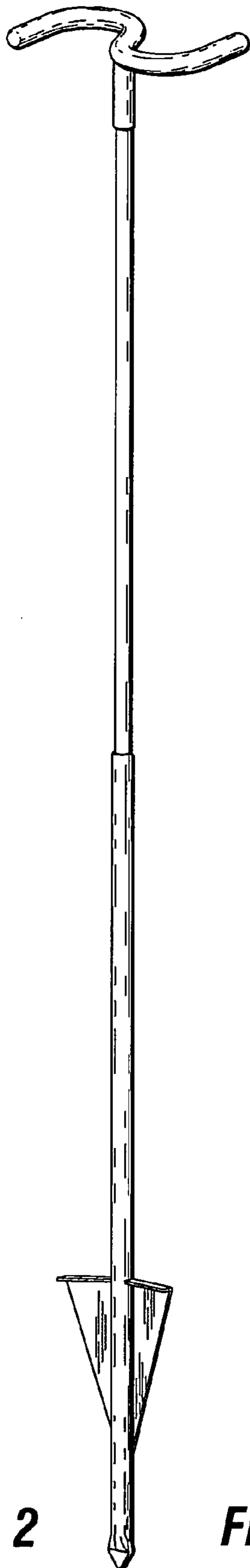


Fig. 2

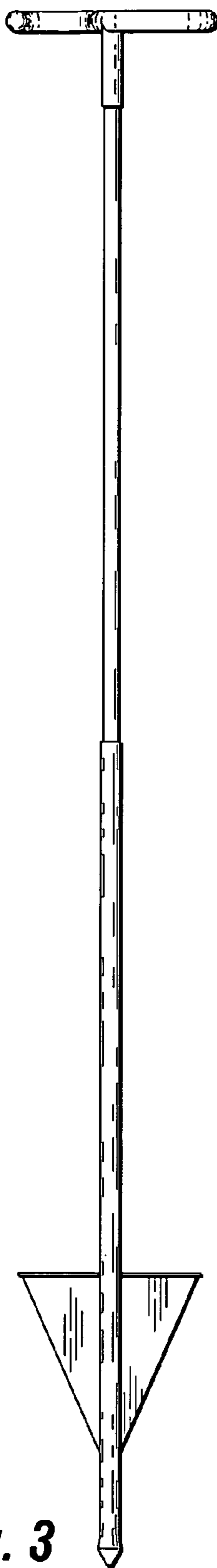


Fig. 3

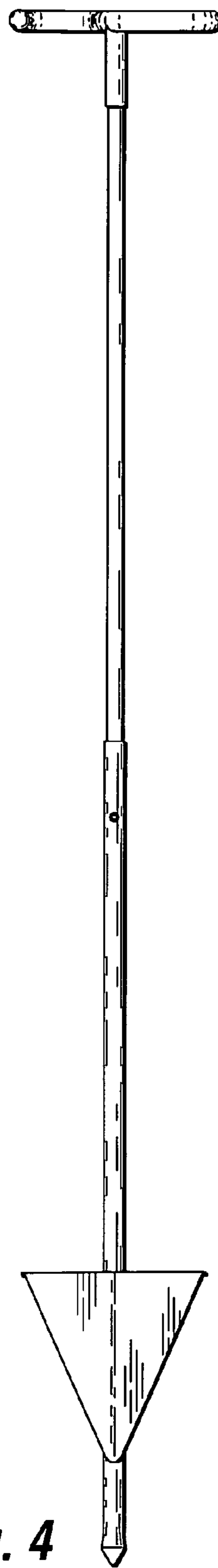


Fig. 4

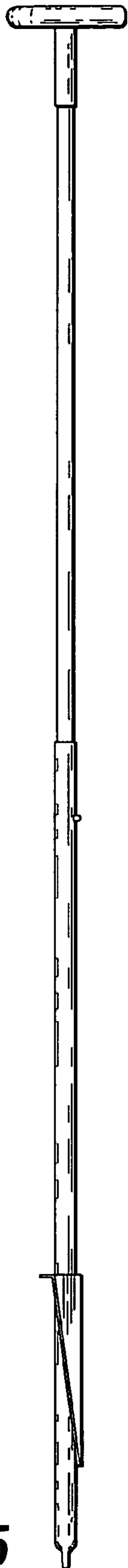


Fig. 5

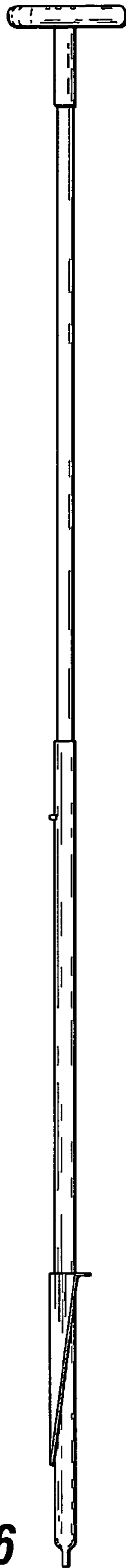


Fig. 6

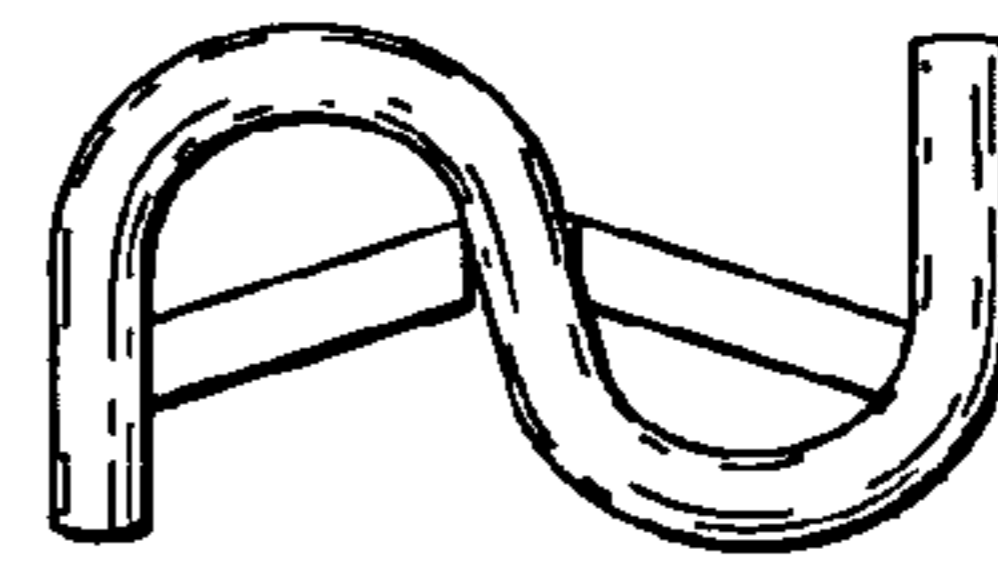


Fig. 7

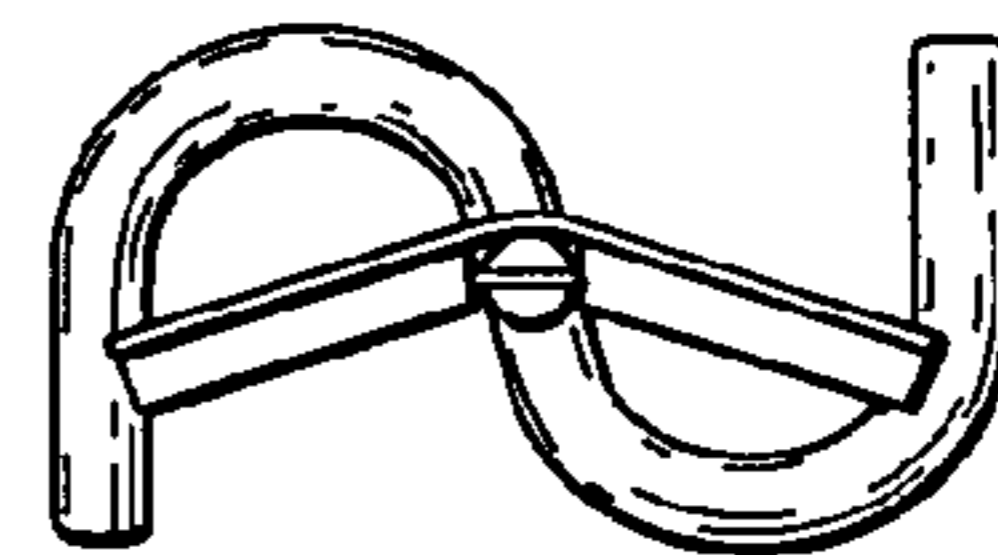


Fig. 8