



US00D604075S

(12) **United States Design Patent**
Chen

(10) **Patent No.:** **US D604,075 S**

(45) **Date of Patent:** **** Nov. 17, 2009**

(54) **POST FOR BATH ACCESSORY**

(76) Inventor: **Lien-Fu Chen**, 6980 Whiteoak Drive,
Richmond, B.C. (CA) V7E 4Z9

(**) Term: **14 Years**

(21) Appl. No.: **29/337,860**

(22) Filed: **May 30, 2009**

(51) **LOC (9) Cl.** **23-02**

(52) **U.S. Cl.** **D6/524**

(58) **Field of Classification Search** D6/546-550,
D6/518-519, 522-524; 211/13.1, 16, 60.1,
211/86.01, 87.01, 88.01, 88.04, 100, 105.1,
211/105.2, 123, 181.1, 182; D8/300, 303,
D8/315-321; 248/175, 176.1, 251, 302;
242/570, 590, 595-598; 16/110.1, 412, 415
See application file for complete search history.

(56) **References Cited**

U.S. PATENT DOCUMENTS

- D463,936 S * 10/2002 Chen D6/550
- D497,751 S * 11/2004 Roberts et al. D6/524
- D498,100 S * 11/2004 Wu D6/524
- D562,607 S * 2/2008 Chen D6/524
- D568,080 S * 5/2008 Bickler et al. D6/524

- D573,385 S * 7/2008 Guo et al. D6/524
- D574,648 S * 8/2008 Guo D6/524

* cited by examiner

Primary Examiner—Brian N Vinson

(57) **CLAIM**

The ornamental design for a post for bath accessory, as shown and described.

DESCRIPTION

FIG. 1 is a bottom, front, and right side perspective view of a post for bath accessory showing my new design;

FIG. 2 is a bottom plan view thereof;

FIG. 3 is a top plan view thereof;

FIG. 4 is a left side elevational view thereof;

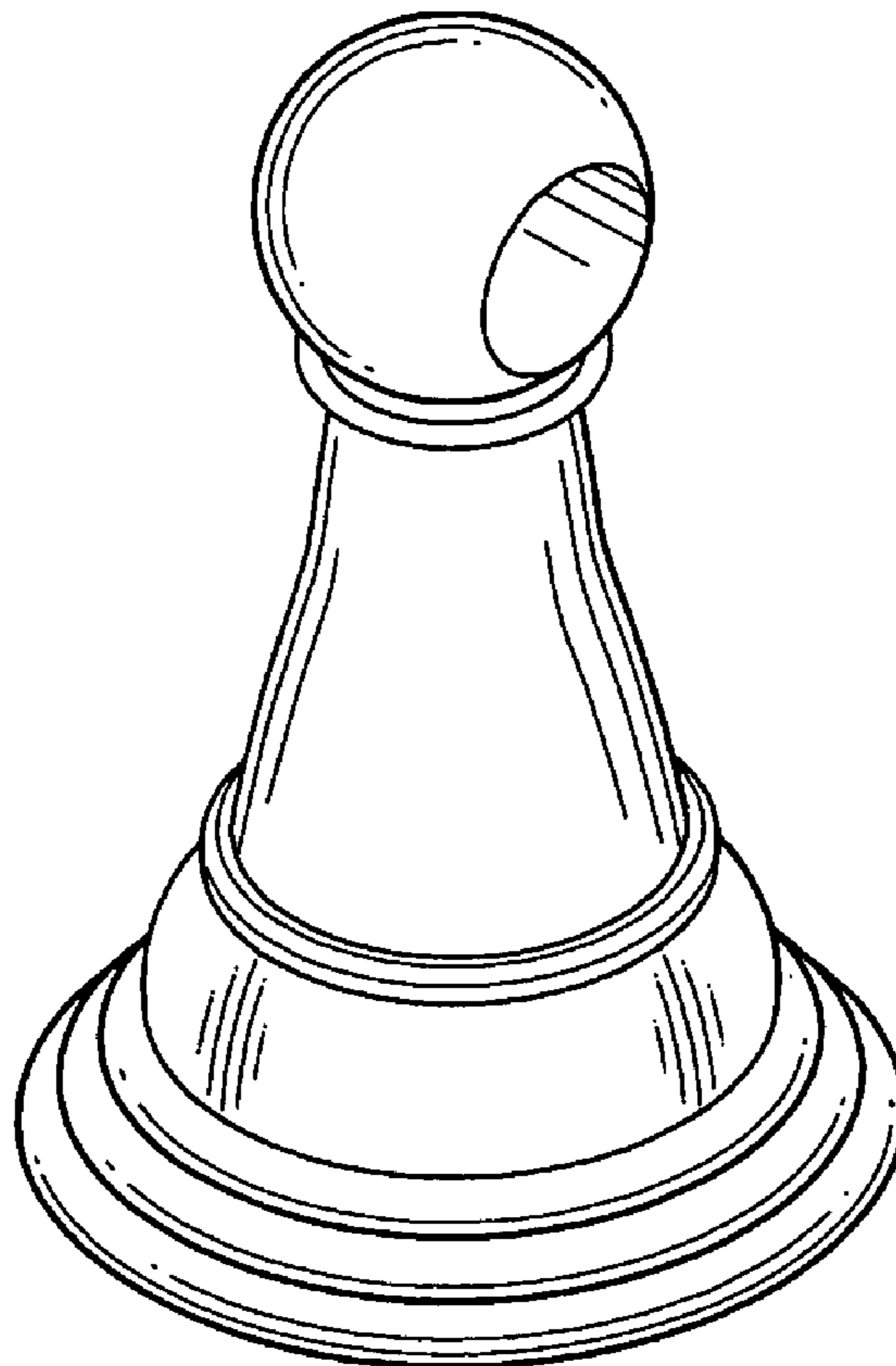
FIG. 5 is a right side elevational view thereof;

FIG. 6 is a front elevational view thereof;

FIG. 7 is a rear elevational view thereof; and,

FIG. 8 is a top, front, and right side perspective view of a second embodiment thereof, with the broken line disclosure of a towel bar being for illustrative purposes only and forming no part of the claimed design.

1 Claim, 5 Drawing Sheets



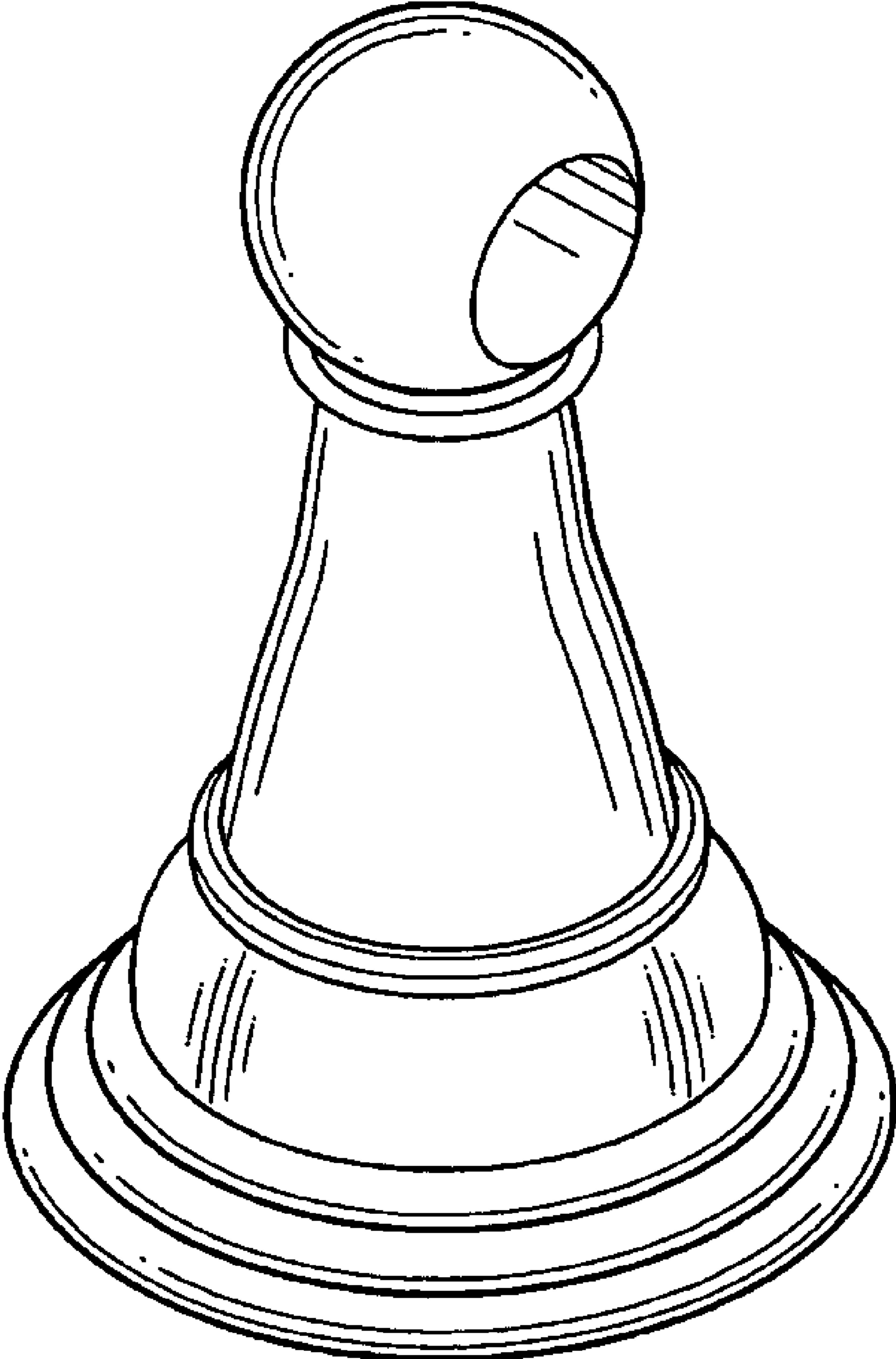


FIG. 1

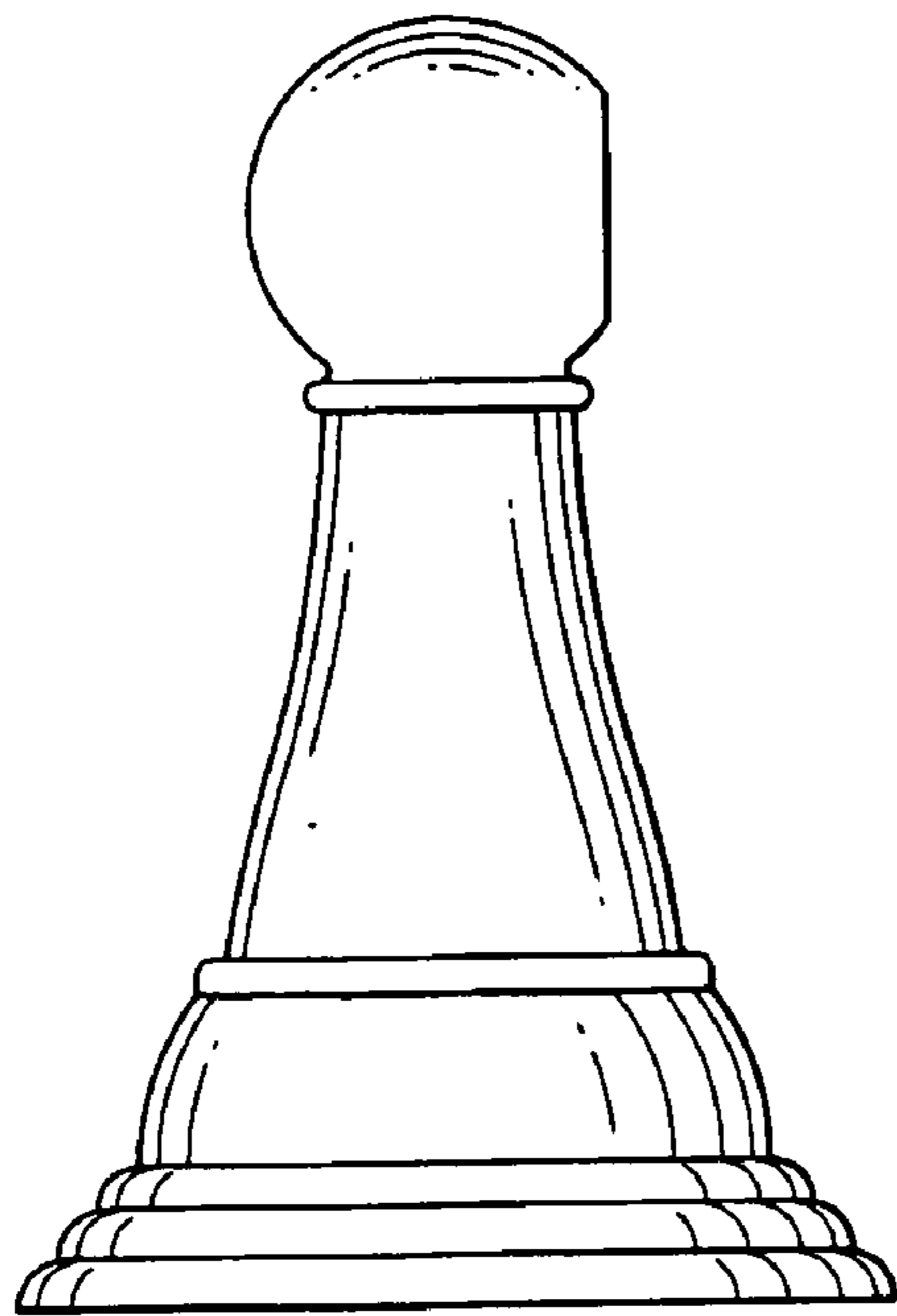


FIG. 2

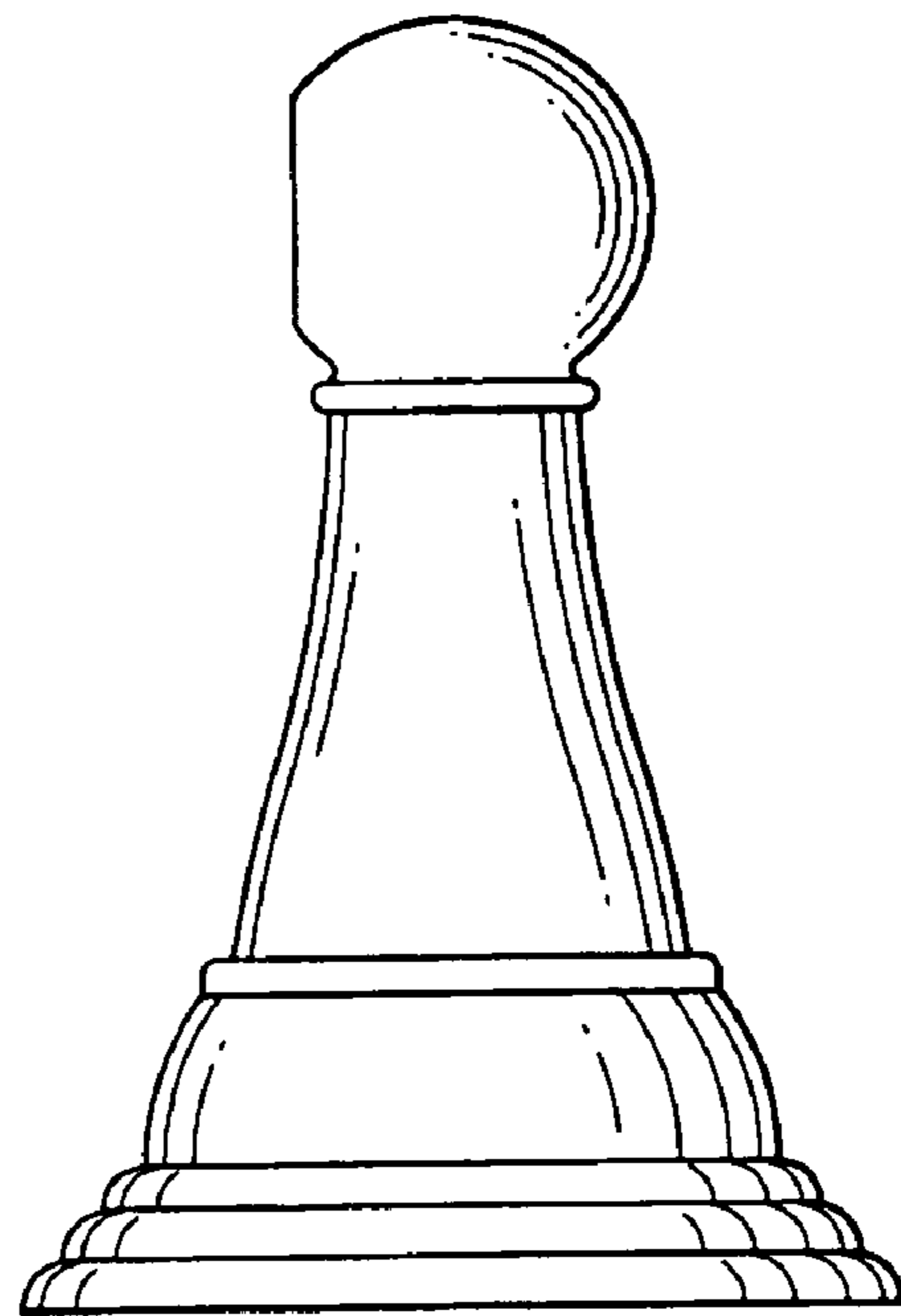


FIG. 3

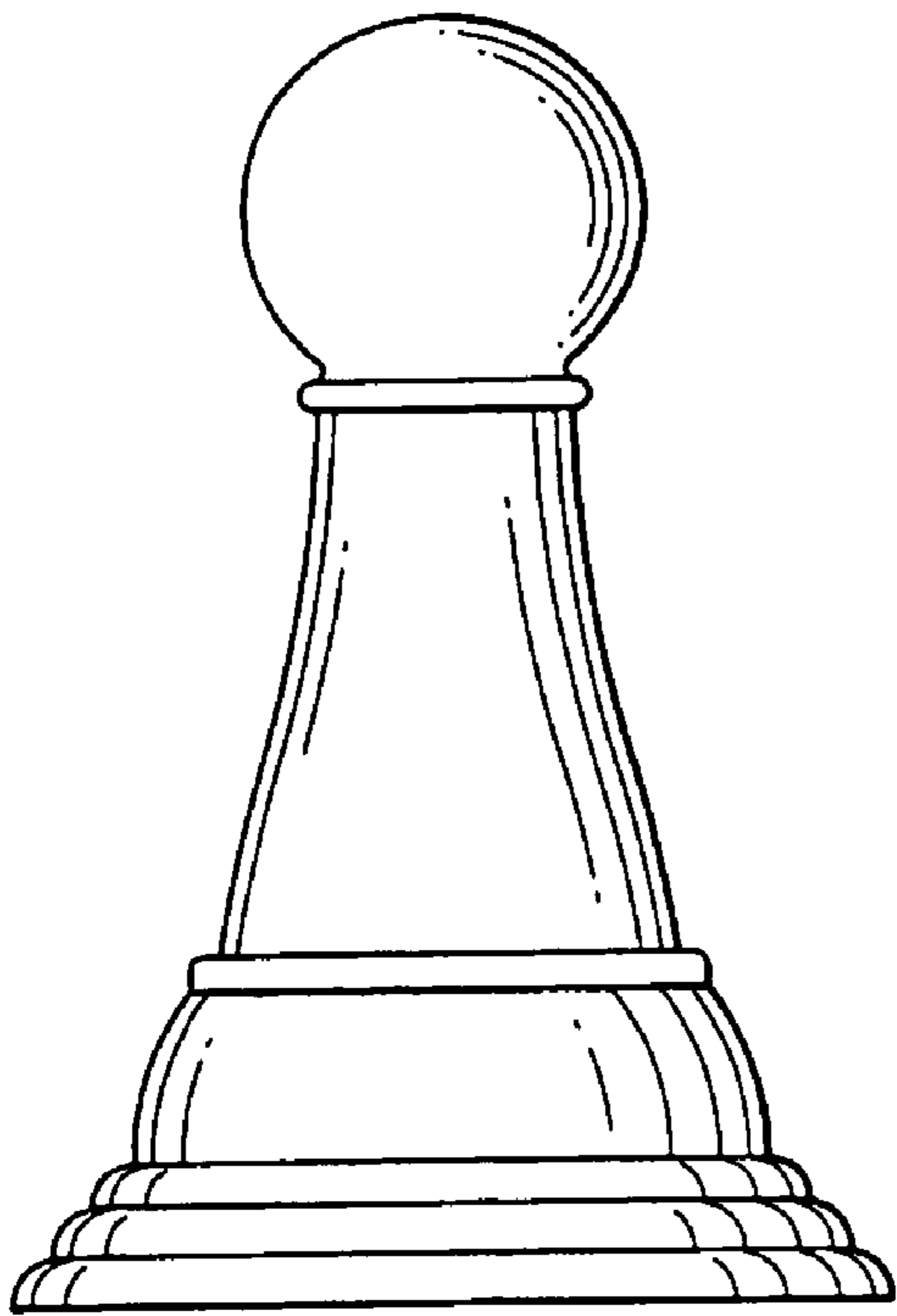


FIG. 4

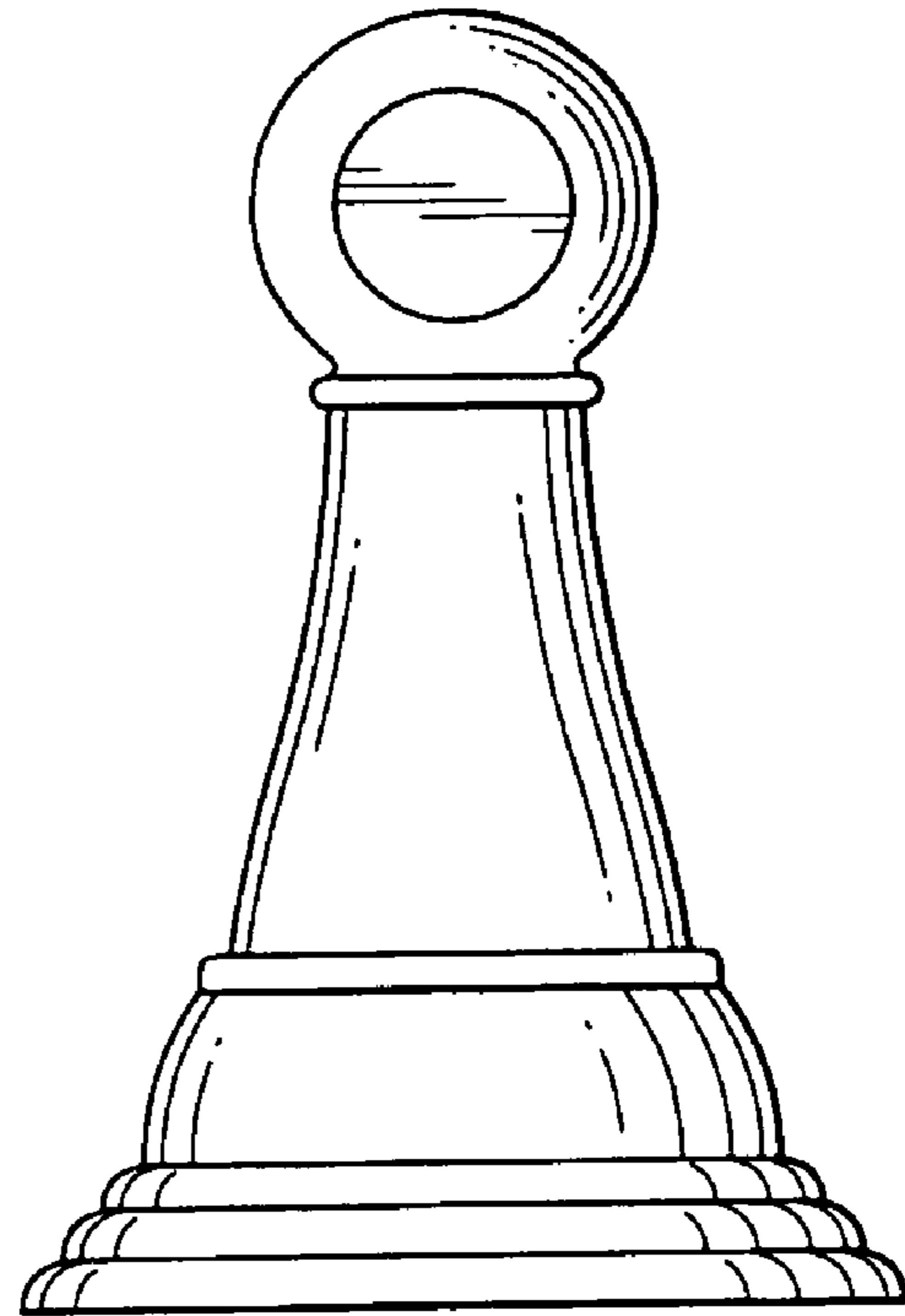


FIG. 5

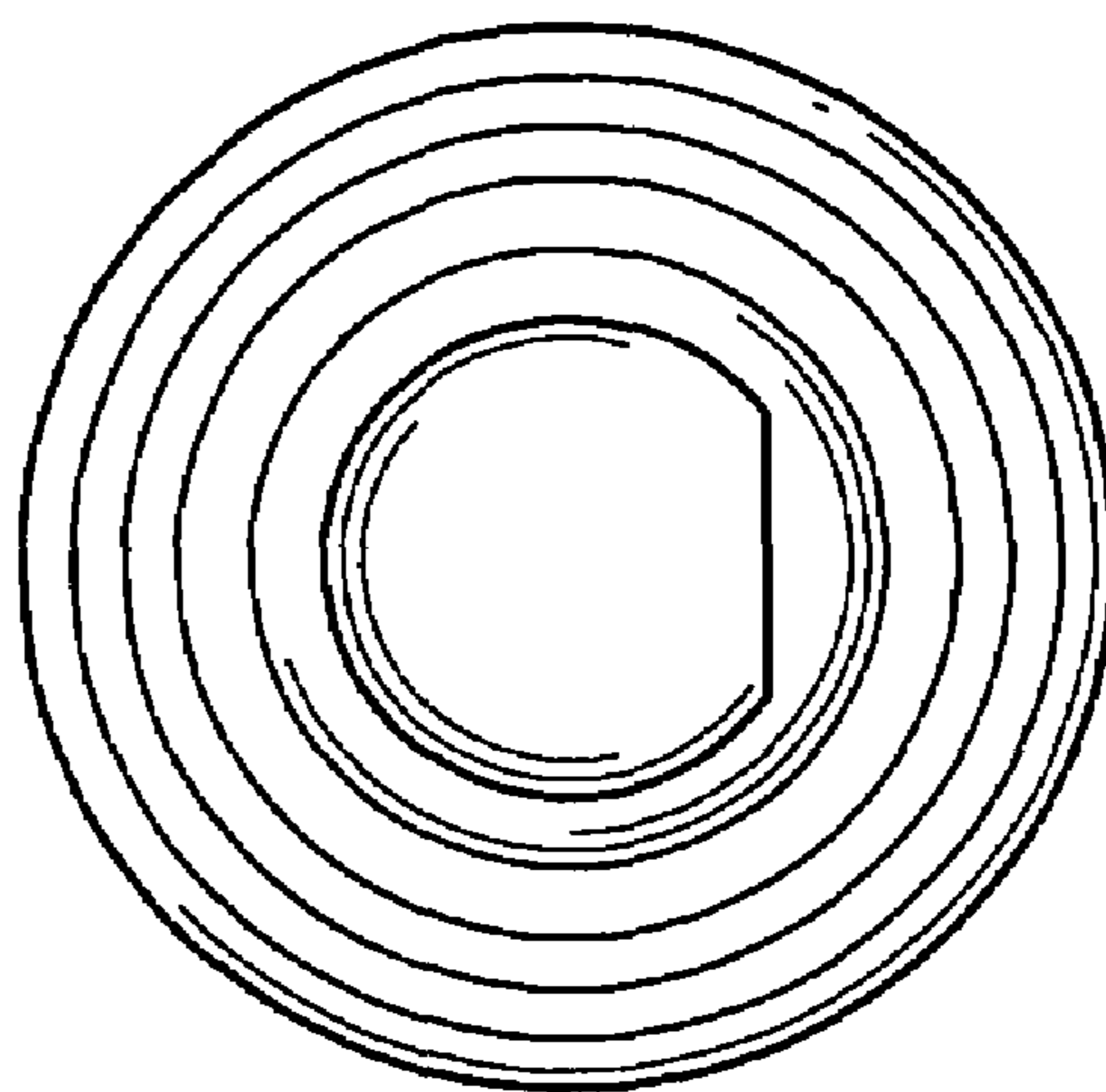


FIG. 6

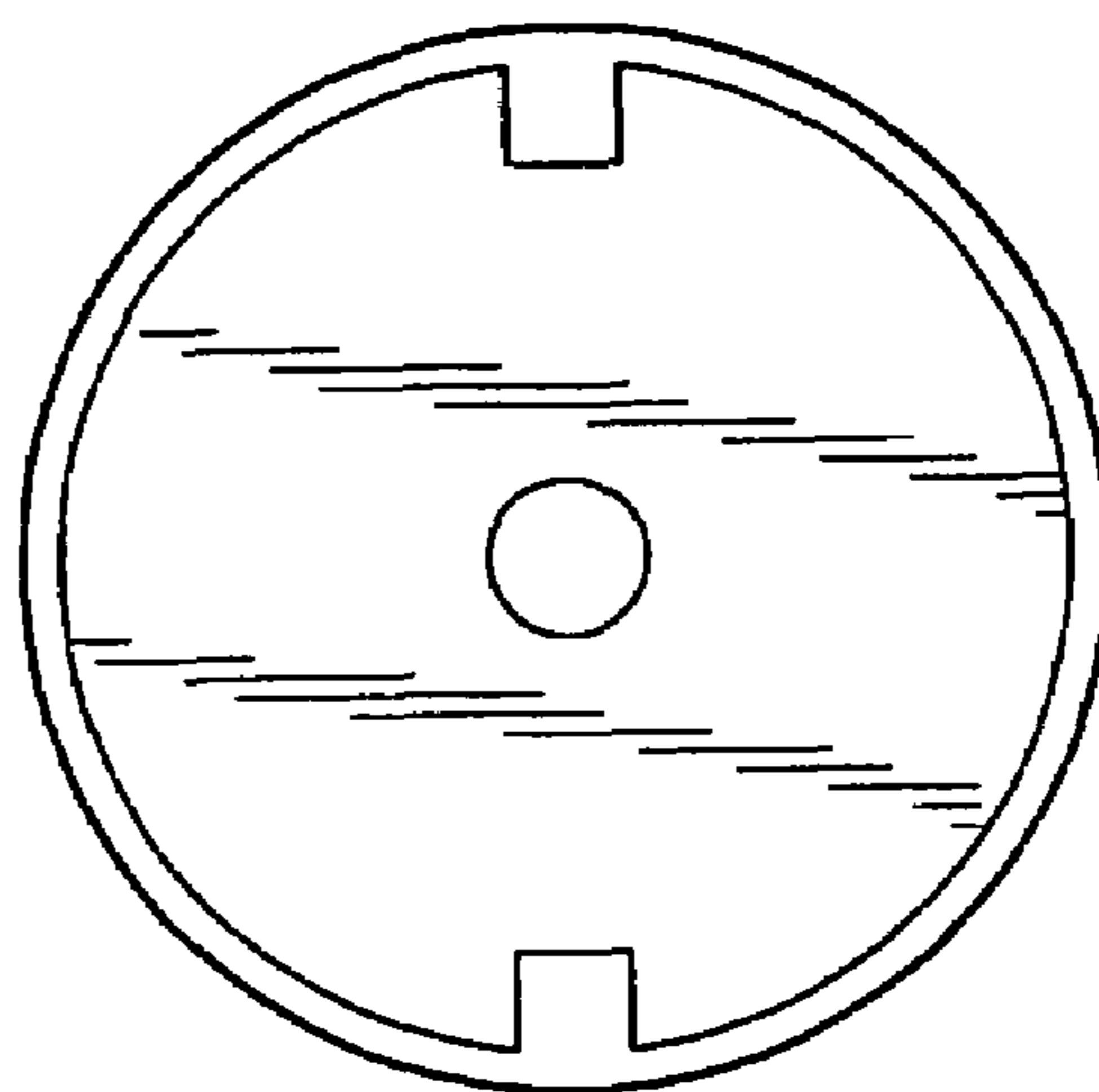


FIG. 7

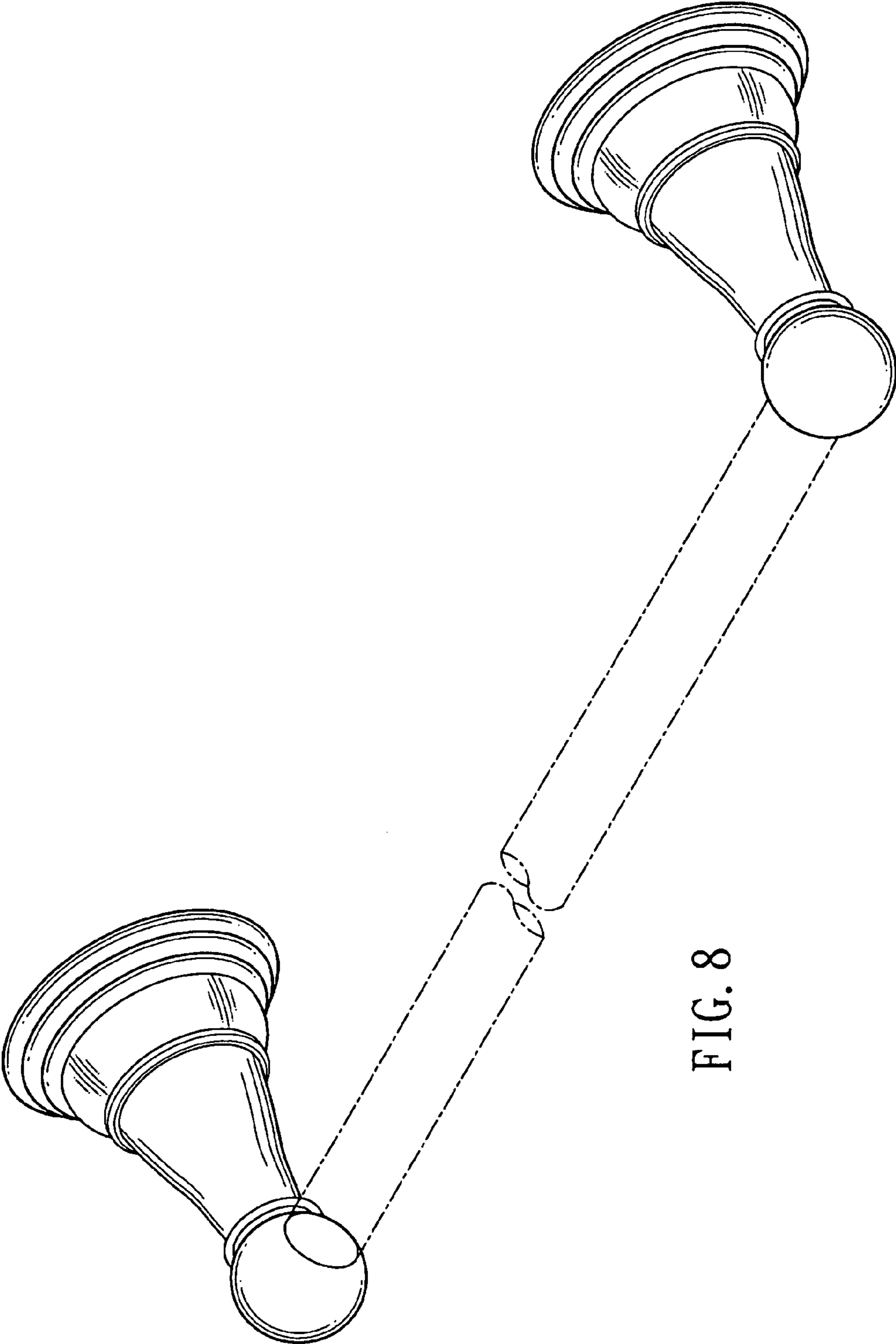


FIG. 8

UNITED STATES PATENT AND TRADEMARK OFFICE
CERTIFICATE OF CORRECTION

PATENT NO. : Des. 604,075 S
APPLICATION NO. : 29/337860
DATED : November 17, 2009
INVENTOR(S) : Lien-Fu Chen

Page 1 of 1

It is certified that error appears in the above-identified patent and that said Letters Patent is hereby corrected as shown below:

Title page, item [75] the address of the inventor should be corrected as

No. 11, Lane 66, Fu Dong Street
Fu Shan Li. Chung Hua City,
Taiwan

Signed and Sealed this

Nineteenth Day of January, 2010

A handwritten signature in black ink that reads "David J. Kappos". The signature is written in a cursive, flowing style.

David J. Kappos
Director of the United States Patent and Trademark Office