



US00D604070S

(12) **United States Design Patent**
McElmurry

(10) **Patent No.:** **US D604,070 S**

(45) **Date of Patent:** **** Nov. 17, 2009**

(54) **EDGING FOR CHAIRS**

(75) **Inventor:** **Terry J. McElmurry**, Temperance, MI (US)

(73) **Assignee:** **Michigan Tube Swagers & Fabricators, Inc.**, Temperance, MI (US)

(**) **Term:** **14 Years**

(21) **Appl. No.:** **29/336,982**

(22) **Filed:** **May 13, 2009**

(51) **LOC (9) Cl.** **06-06**

(52) **U.S. Cl.** **D6/500**

(58) **Field of Classification Search** D6/334-336, D6/364-367, 373-379, 491, 500-502; D25/38, D25/102, 119-122, 136, 164; 5/663; 256/22; 297/411.2, 411.25, 411.27, 411.28, 411.44, 297/463.1-463.2

See application file for complete search history.

(56) **References Cited**

U.S. PATENT DOCUMENTS

- 1,463,293 A * 7/1923 Paddock 297/411.25
- D200,702 S * 3/1965 Huret D25/121
- 3,707,276 A * 12/1972 Francis et al. 256/22
- 4,710,992 A * 12/1987 Falwell et al. 5/663
- D410,753 S * 6/1999 Davis D25/38
- D415,287 S * 10/1999 Davis D25/38
- D433,587 S * 11/2000 Barile D6/500

- D461,914 S * 8/2002 Hughes et al. D25/122
- D536,098 S * 1/2007 Walker D25/38
- D544,966 S * 6/2007 Seiling et al. D25/122
- D560,823 S * 1/2008 Holland D25/122
- D562,992 S * 2/2008 Szczekocki D25/121
- 7,438,360 B2 * 10/2008 Chung 297/411.2

* cited by examiner

Primary Examiner—Caron Veynar

Assistant Examiner—Ricky Pham

(74) *Attorney, Agent, or Firm*—Gifford, Krass, Sprinkle, Anderson & Citkowski, P.C.

(57) **CLAIM**

The ornamental design for edging for chairs, as shown and described.

DESCRIPTION

FIG. 1 is a perspective view of an edging for chairs according to the present invention, broken in the center to indicate indeterminate length;

FIG. 2 is an end view of the edging of FIG. 1, the opposite end view being identical thereto;

FIG. 3 is a side elevational view of the edging of FIGS. 1 and 2, the opposite side view being identical thereto;

FIG. 4 is a top elevational view of the edging of FIGS. 1-3; and,

FIG. 5 is a bottom view of the edging of FIGS. 1-4.

1 Claim, 2 Drawing Sheets

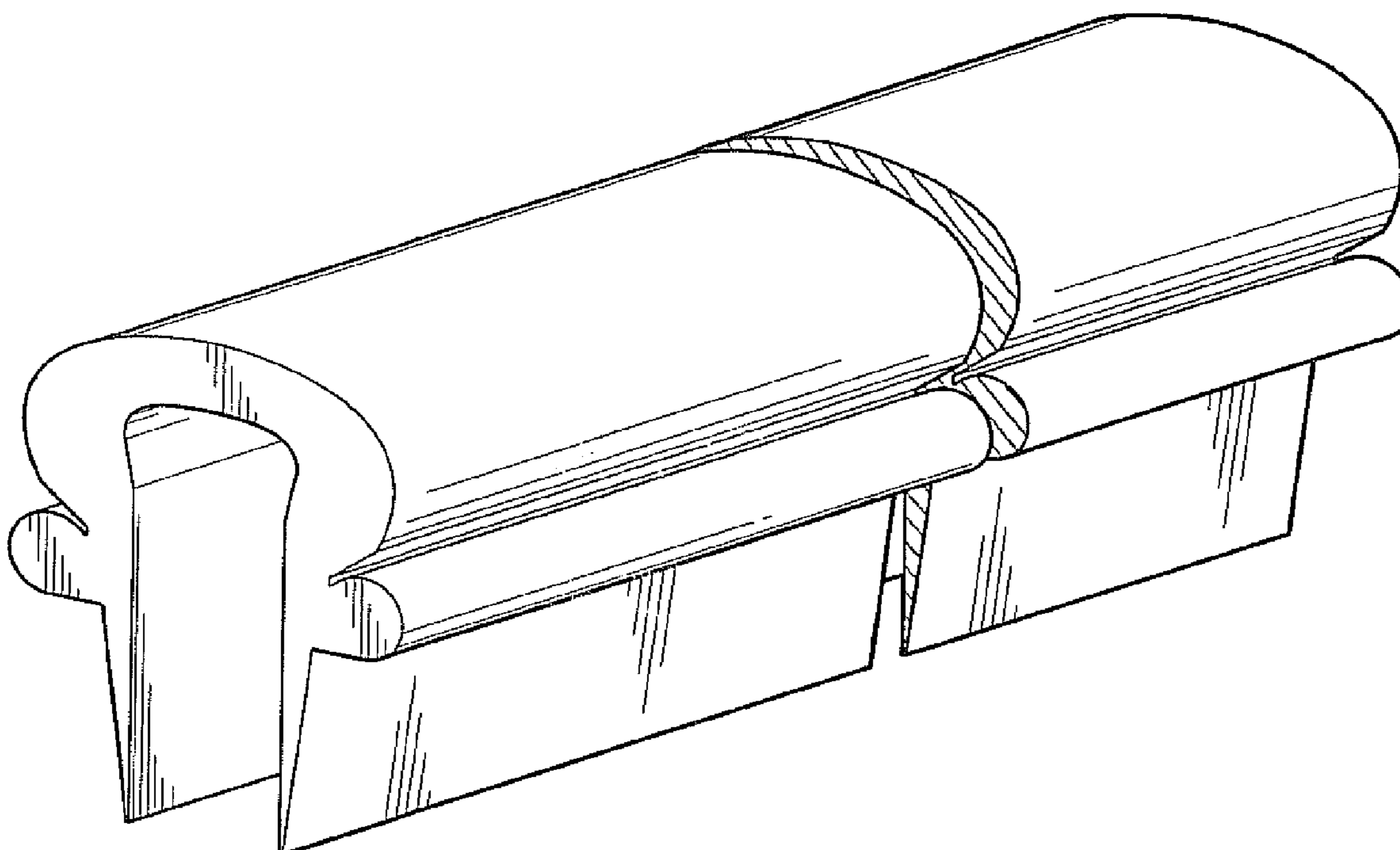


FIG. 1

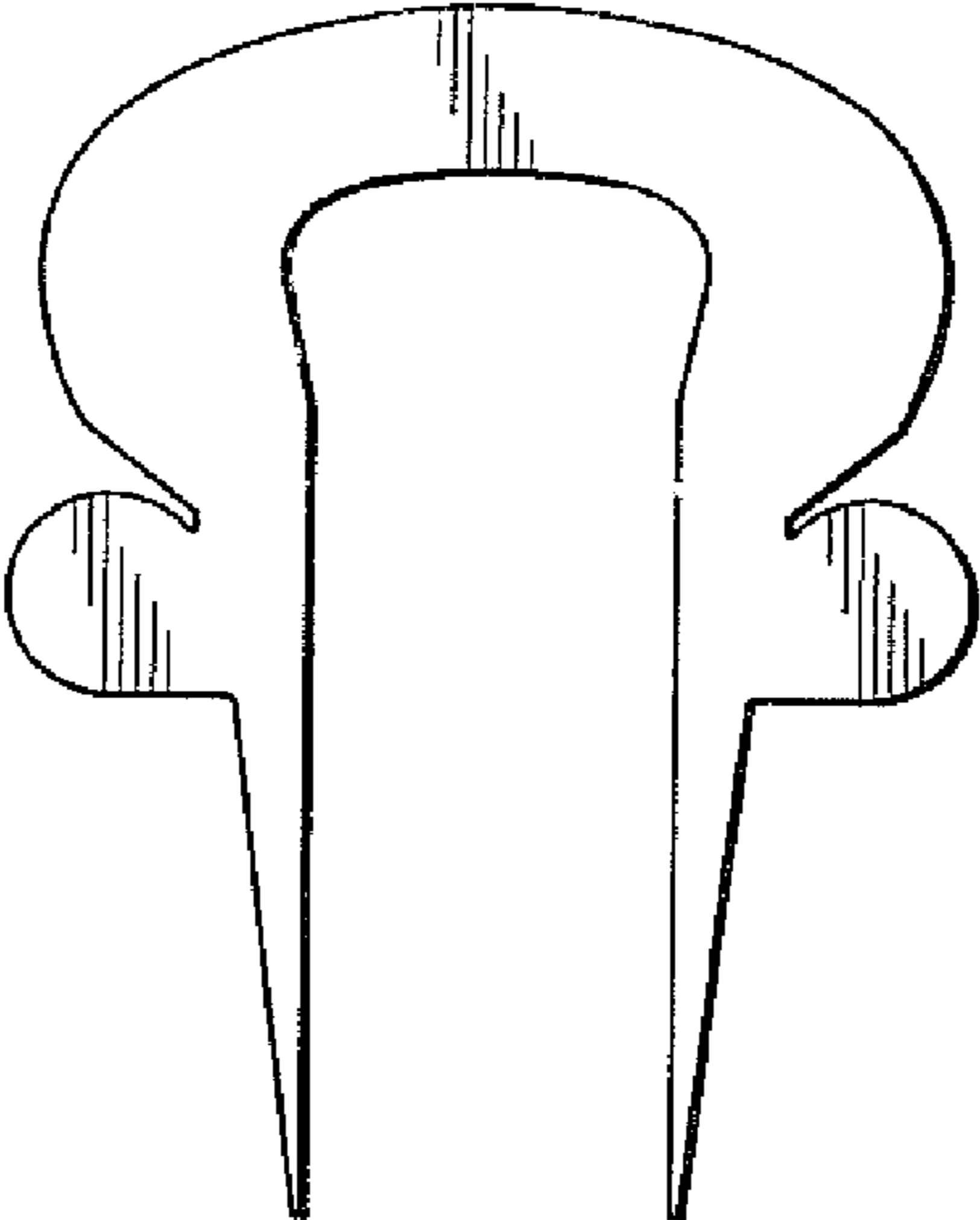
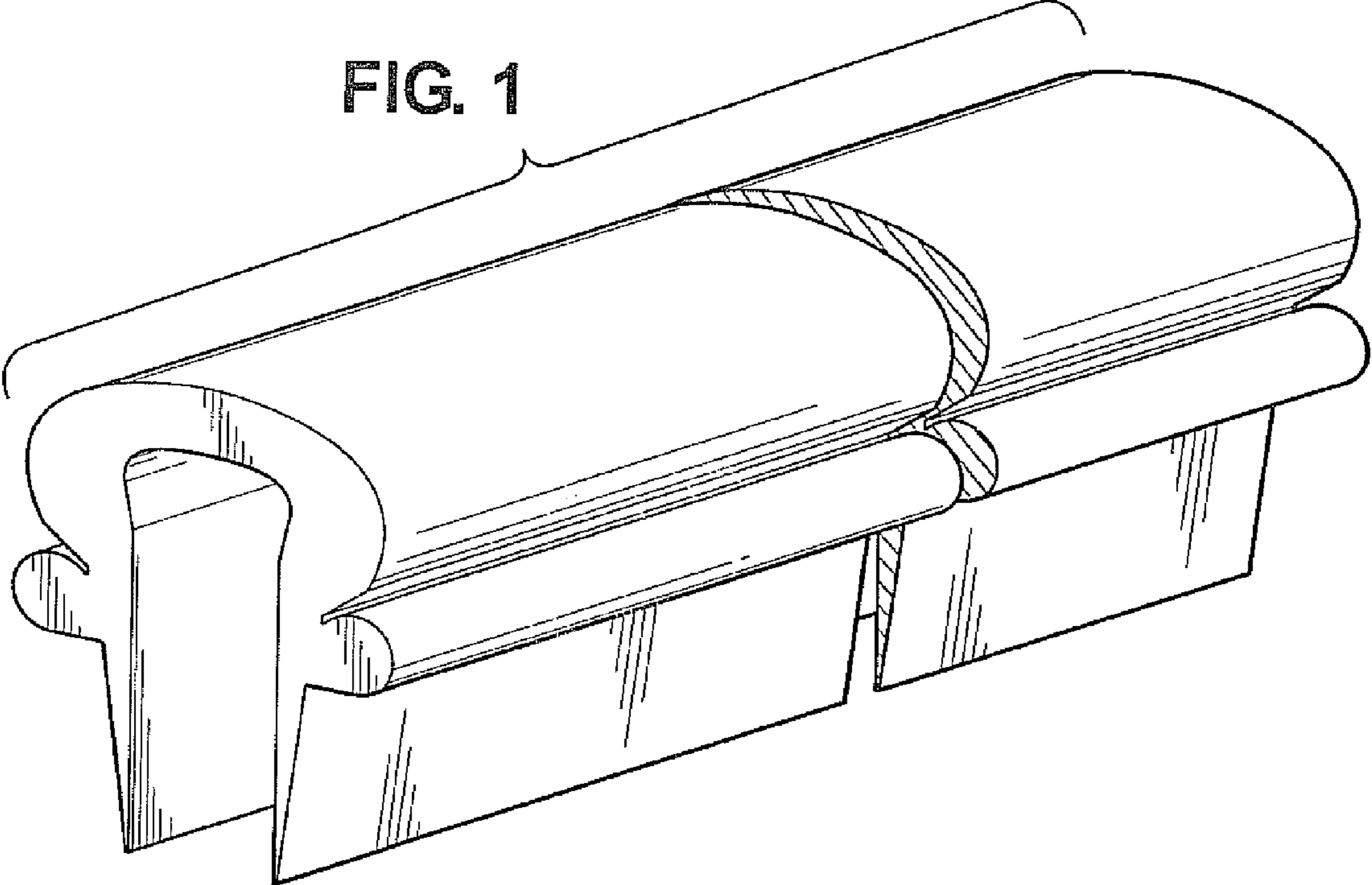


FIG. 2

FIG. 3

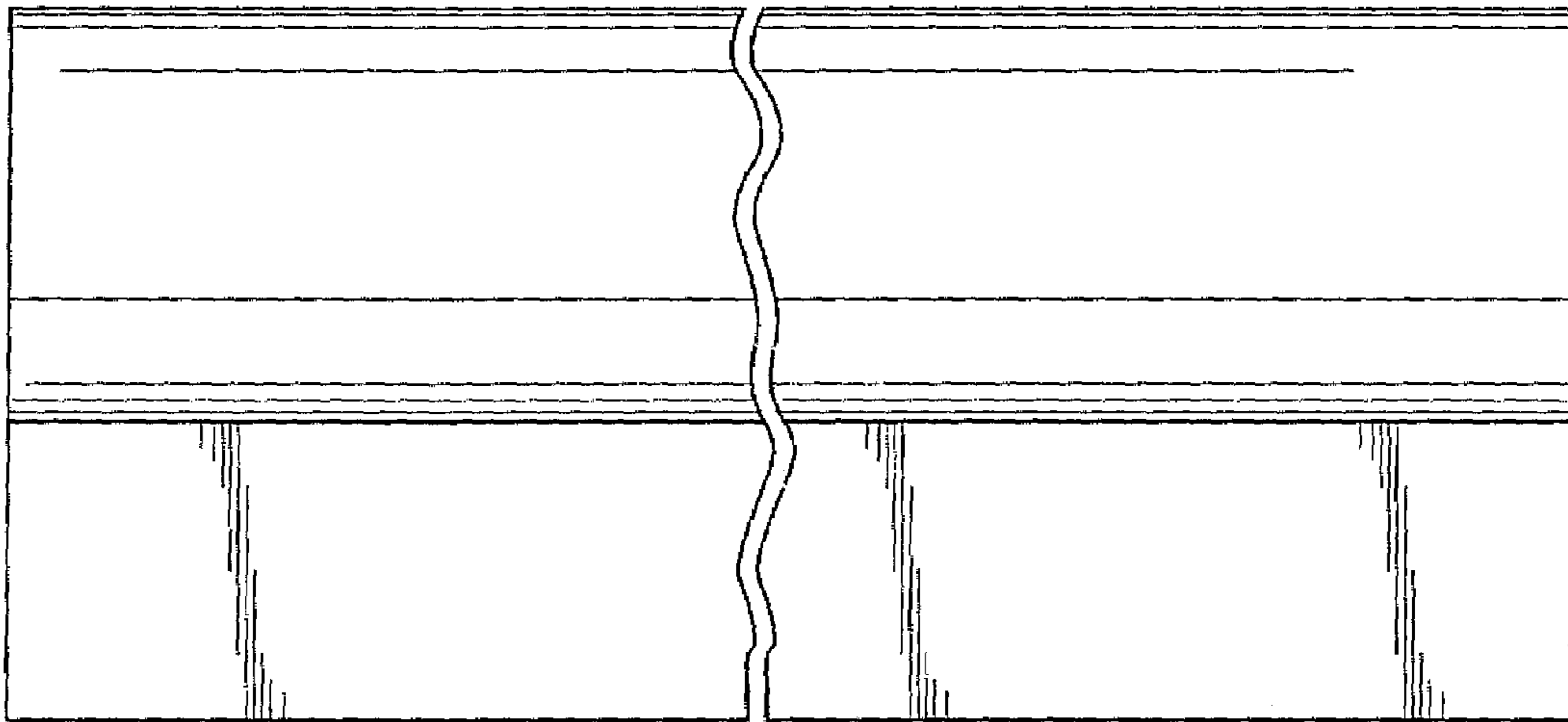


FIG. 4

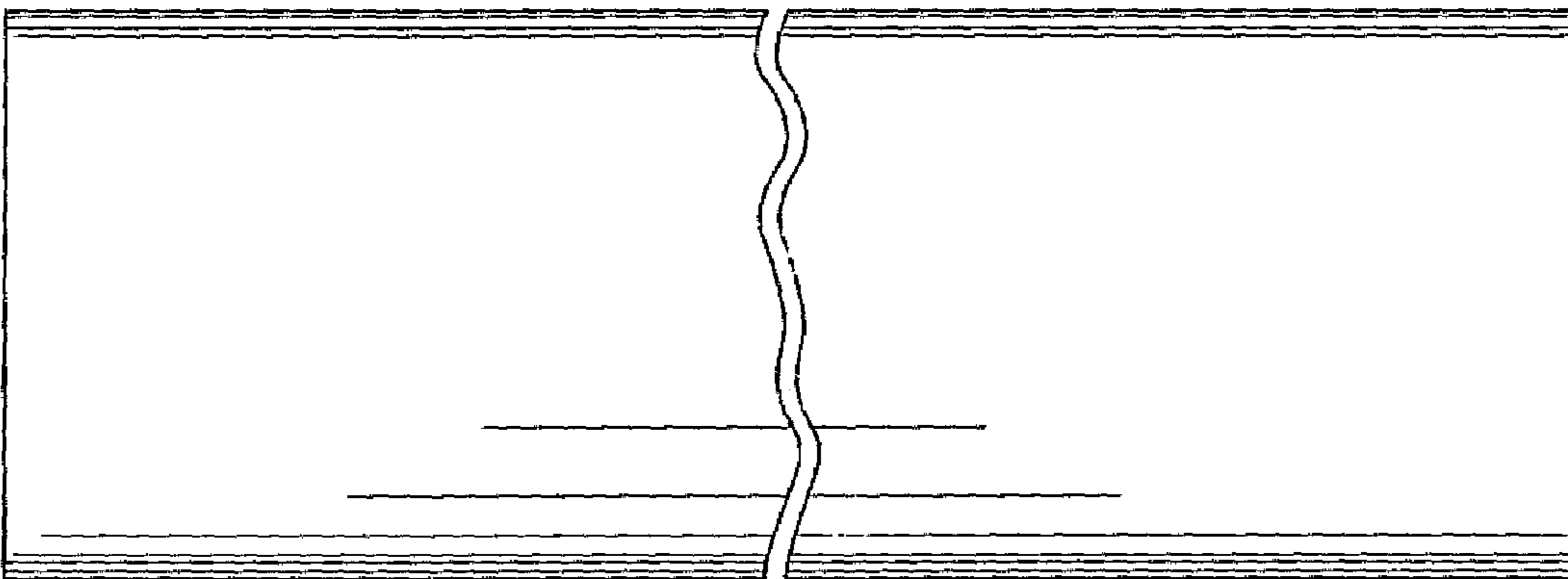


FIG. 5

