



US00D604067S

(12) **United States Design Patent**  
**Gaschy et al.**

(10) **Patent No.:** **US D604,067 S**

(45) **Date of Patent:** **\*\* Nov. 17, 2009**

(54) **CHAIR**

(75) Inventors: **Bryony Gaschy**, Bischheim (FR); **Brett Kincaid**, Lowell, MI (US)

(73) Assignee: **Steelcase SA** (FR)

(\*\*) Term: **14 Years**

(21) Appl. No.: **29/302,173**

(22) Filed: **Jan. 11, 2008**

(51) **LOC (9) Cl.** ..... **06-01**

(52) **U.S. Cl.** ..... **D6/500**

(58) **Field of Classification Search** ..... D6/500–502,  
D6/334–336, 356, 364–367, 379; 297/411.2,  
297/411.28, 411.27, 452.3, 452.29, 452.36,  
297/284.4, 411.44

See application file for complete search history.

(56) **References Cited**

**U.S. PATENT DOCUMENTS**

D382,149 S *	8/1997	Pimental et al. ....	D6/500
D405,283 S *	2/1999	James .....	D6/366
D405,618 S *	2/1999	Reutepohler et al. ....	D6/366
D429,584 S *	8/2000	Brettschneider et al. ....	D6/500
D457,760 S *	5/2002	De Lucchi et al. ....	D6/500
D463,172 S *	9/2002	Tsai .....	D6/500
D536,556 S *	2/2007	Schweikarh et al. ....	D6/501
D560,381 S *	1/2008	Dauphin .....	D6/366

\* cited by examiner

*Primary Examiner*—Caron Veynar

*Assistant Examiner*—Abraham Bahta

(74) *Attorney, Agent, or Firm*—Price, Heneveld, Cooper, DeWitt & Litton, LLP

(57) **CLAIM**

The ornamental design for a chair, as shown and described.

**DESCRIPTION**

FIG. 1 is a front perspective view showing a front, bottom and right side of a first embodiment of the chair;

FIG. 2 is a second perspective view showing a back, top and left side of the first embodiment of the chair;

FIG. 3 is a front elevational view of the first embodiment of the chair;

FIG. 4 is a rear elevational view of the first embodiment of the chair;

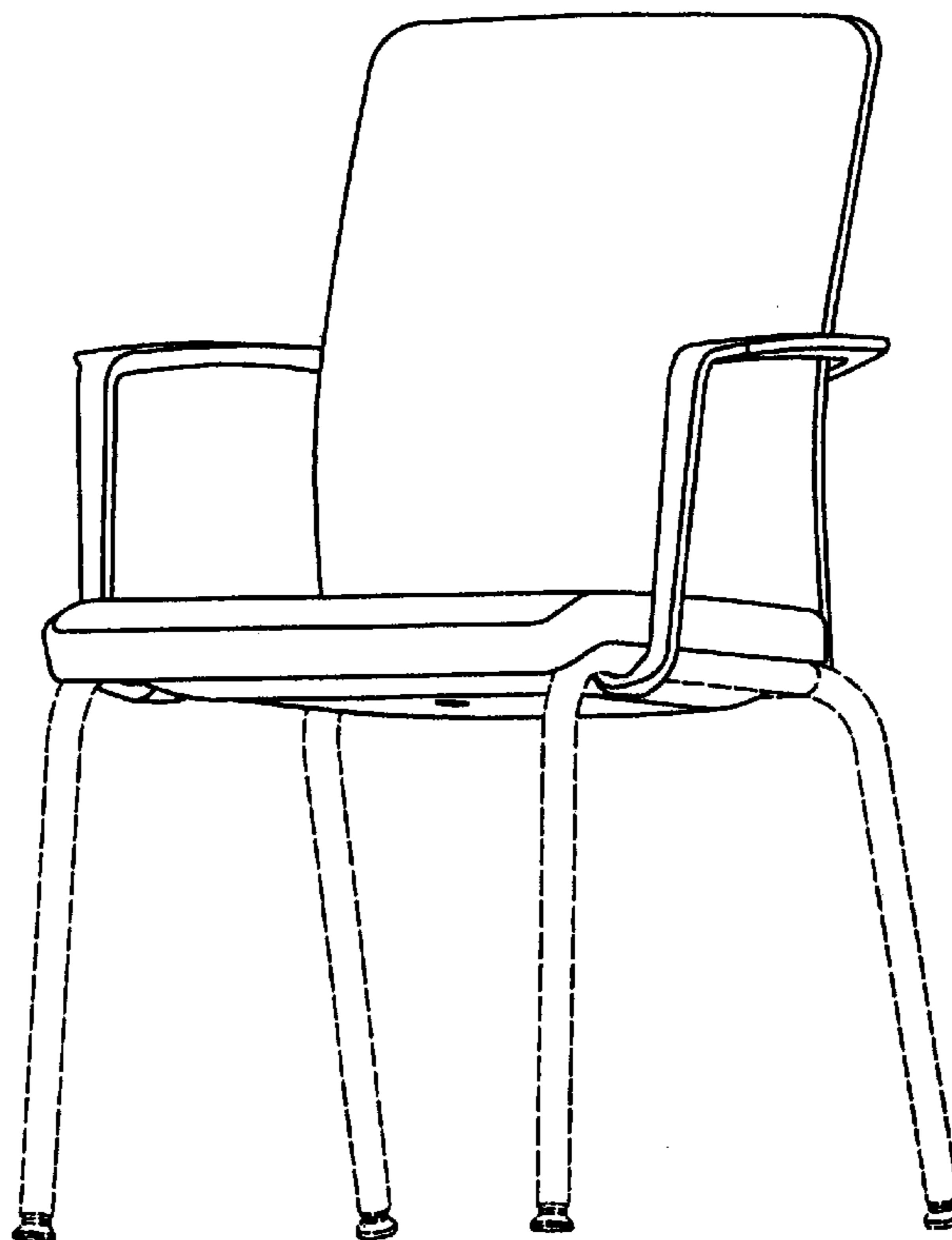
FIG. 5 is an elevational view of the right side of the first embodiment of the chair;

FIG. 6 is an elevational view of the left side of the first embodiment of the chair; and,

FIG. 7 is a top plan view of the first embodiment of the chair.

The dashed lines within the figures are for illustrative purposes only and form no part of the claimed invention.

**1 Claim, 7 Drawing Sheets**



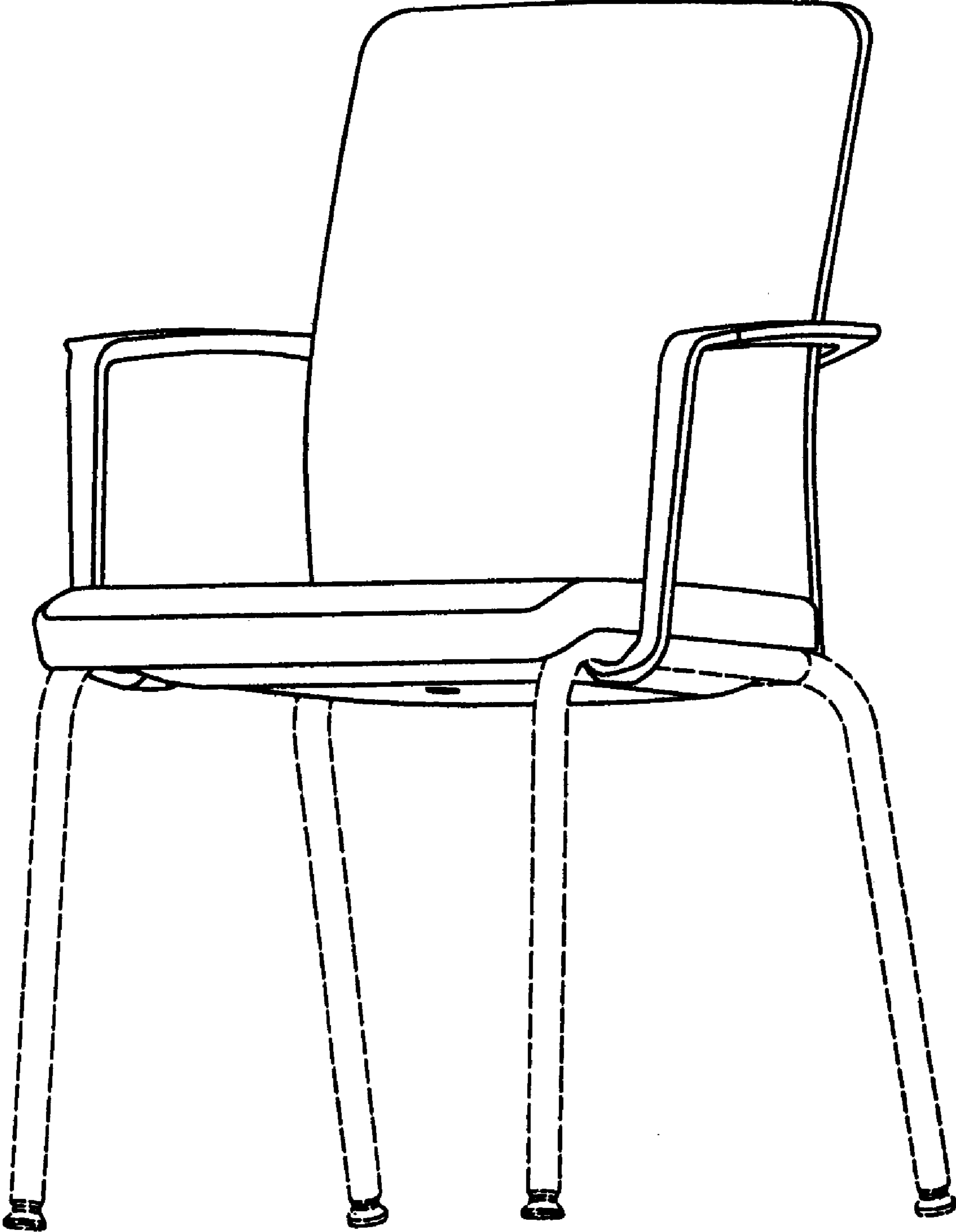


FIG. 1

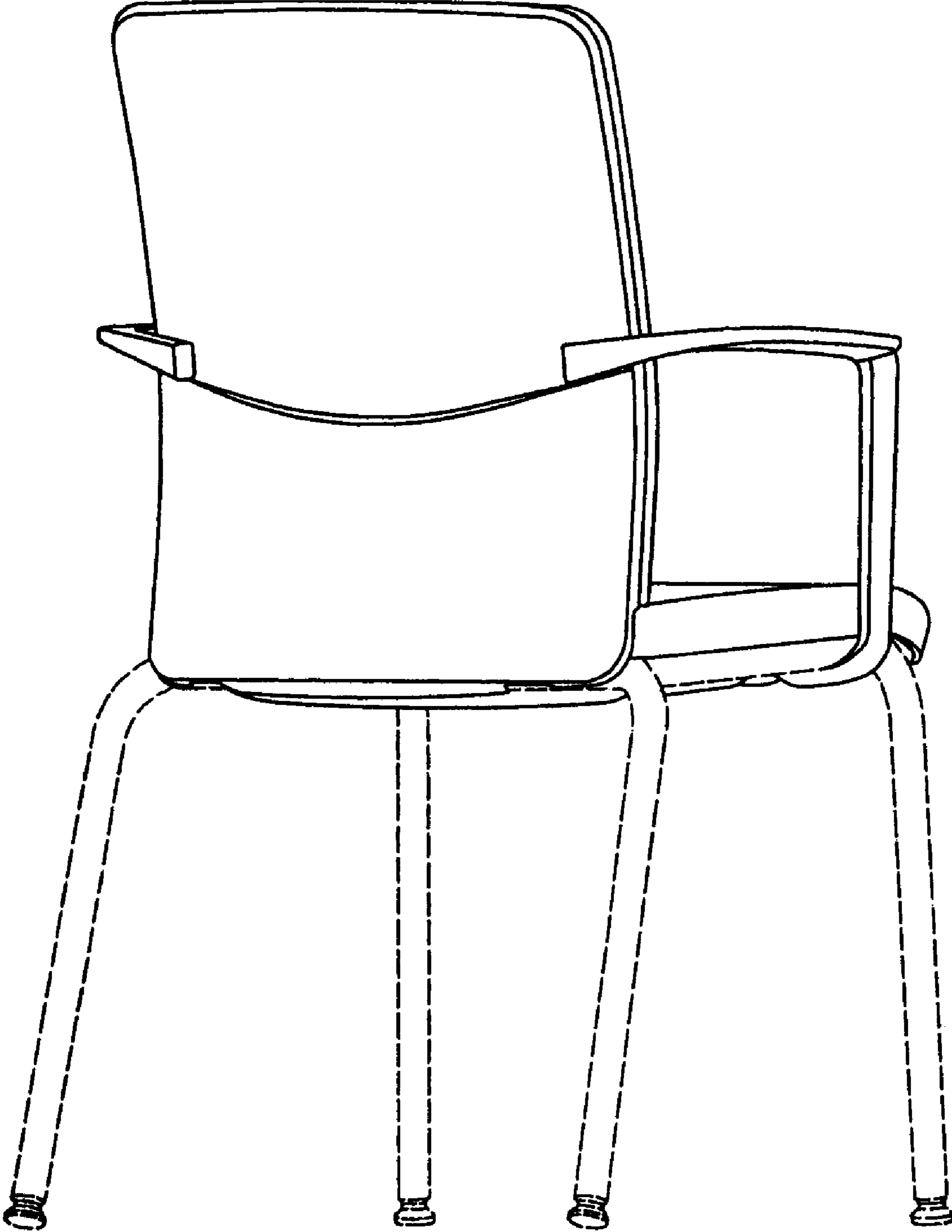


FIG. 2

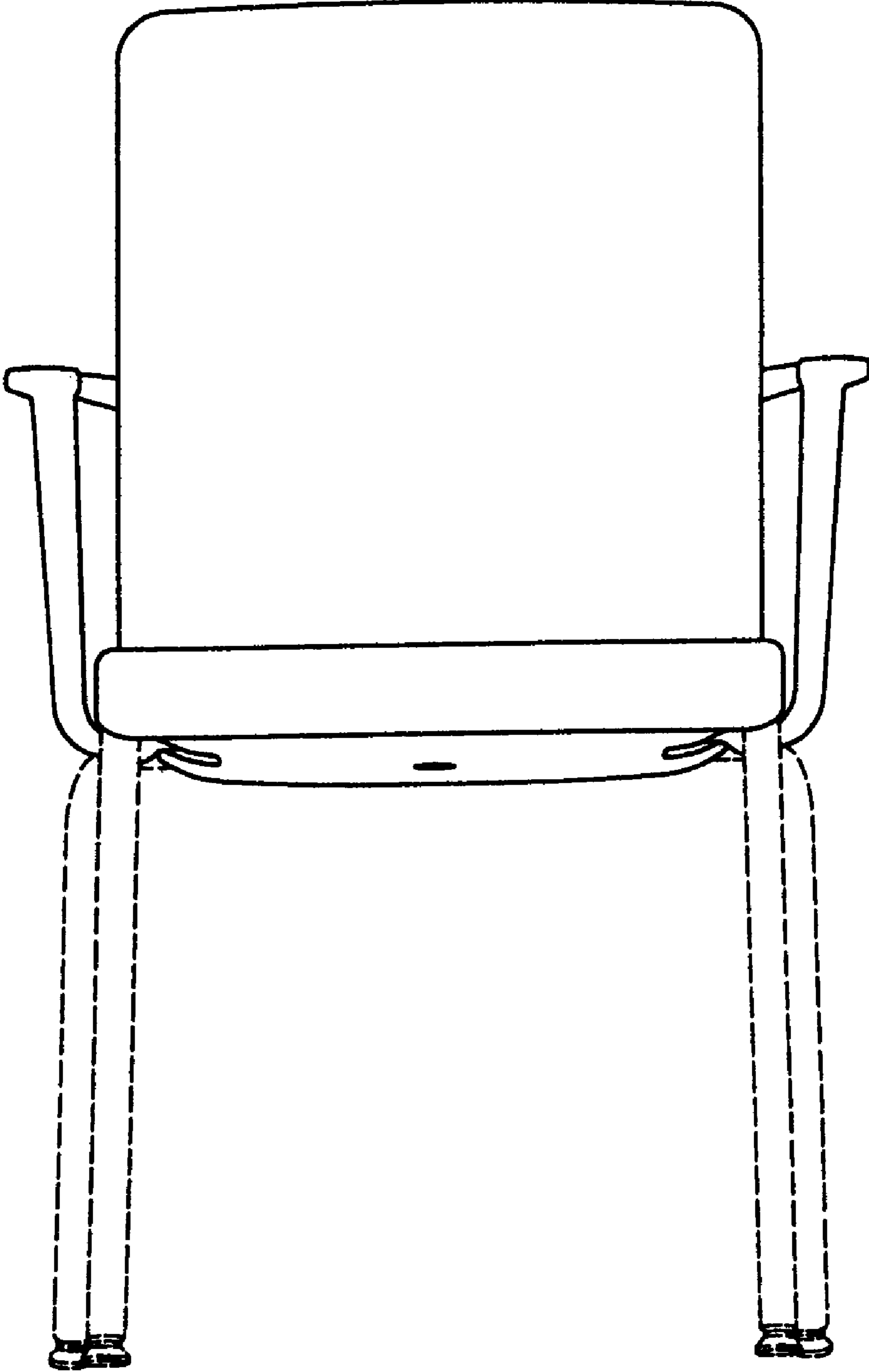


FIG. 3

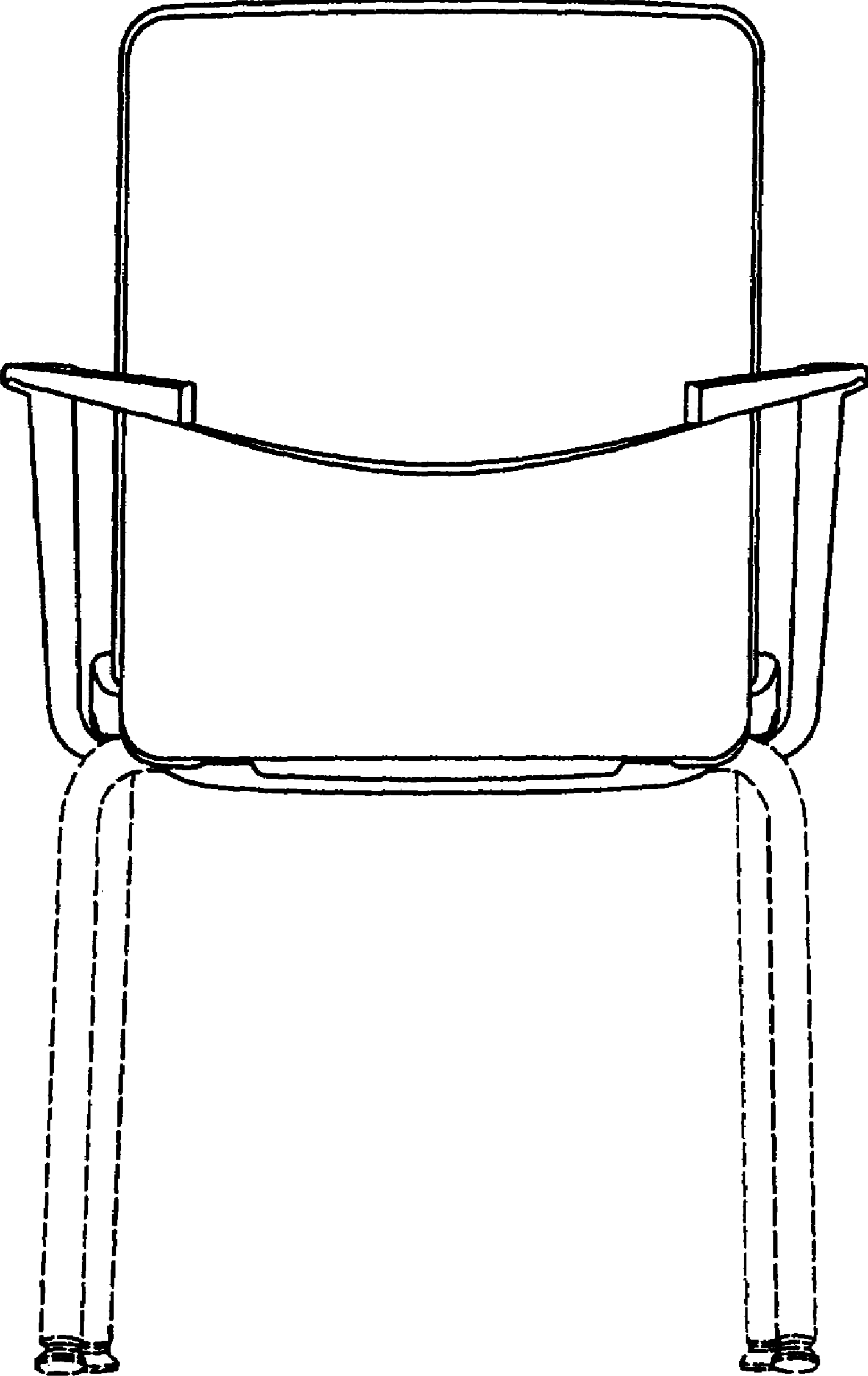


FIG. 4

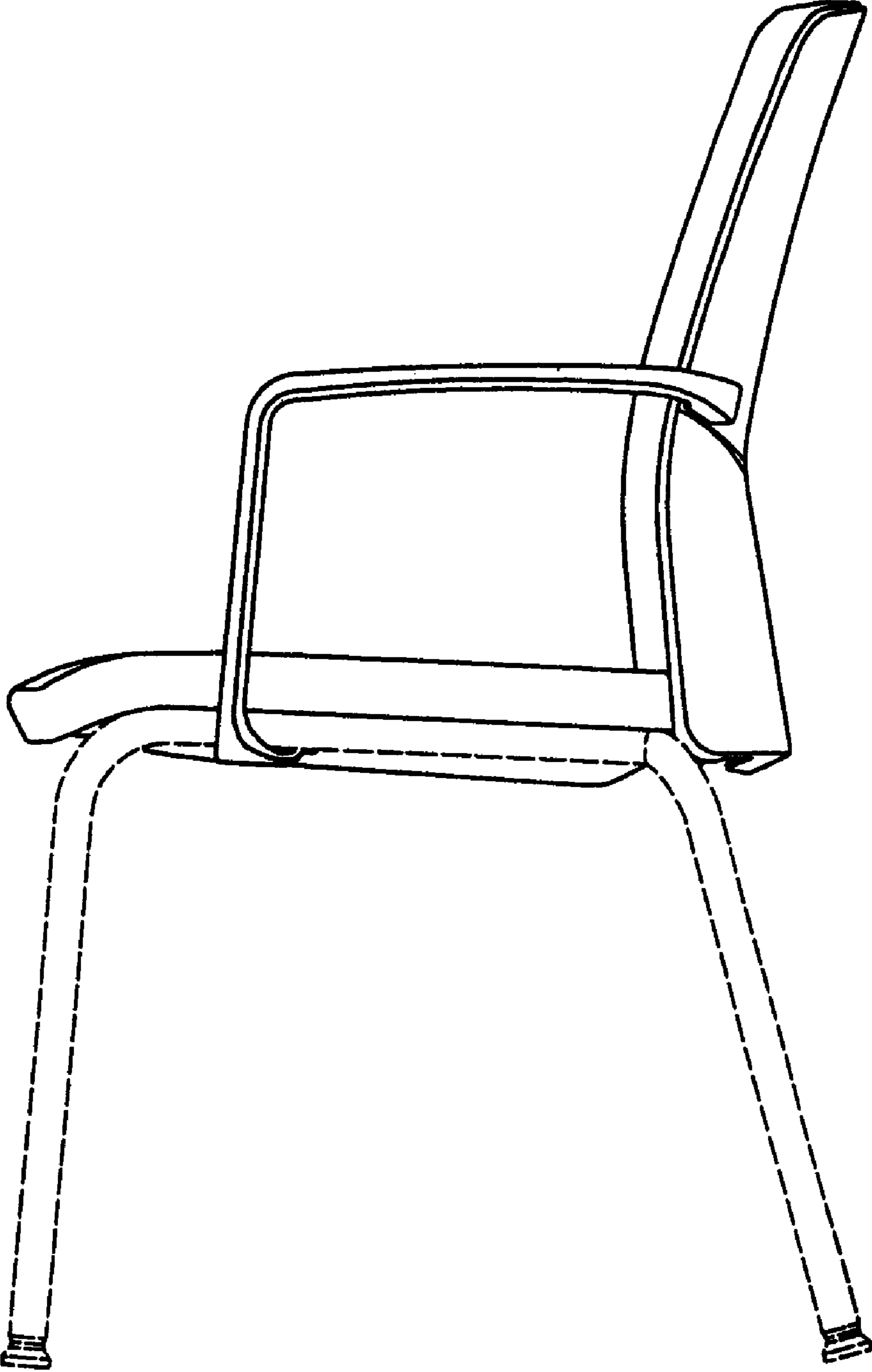


FIG. 5

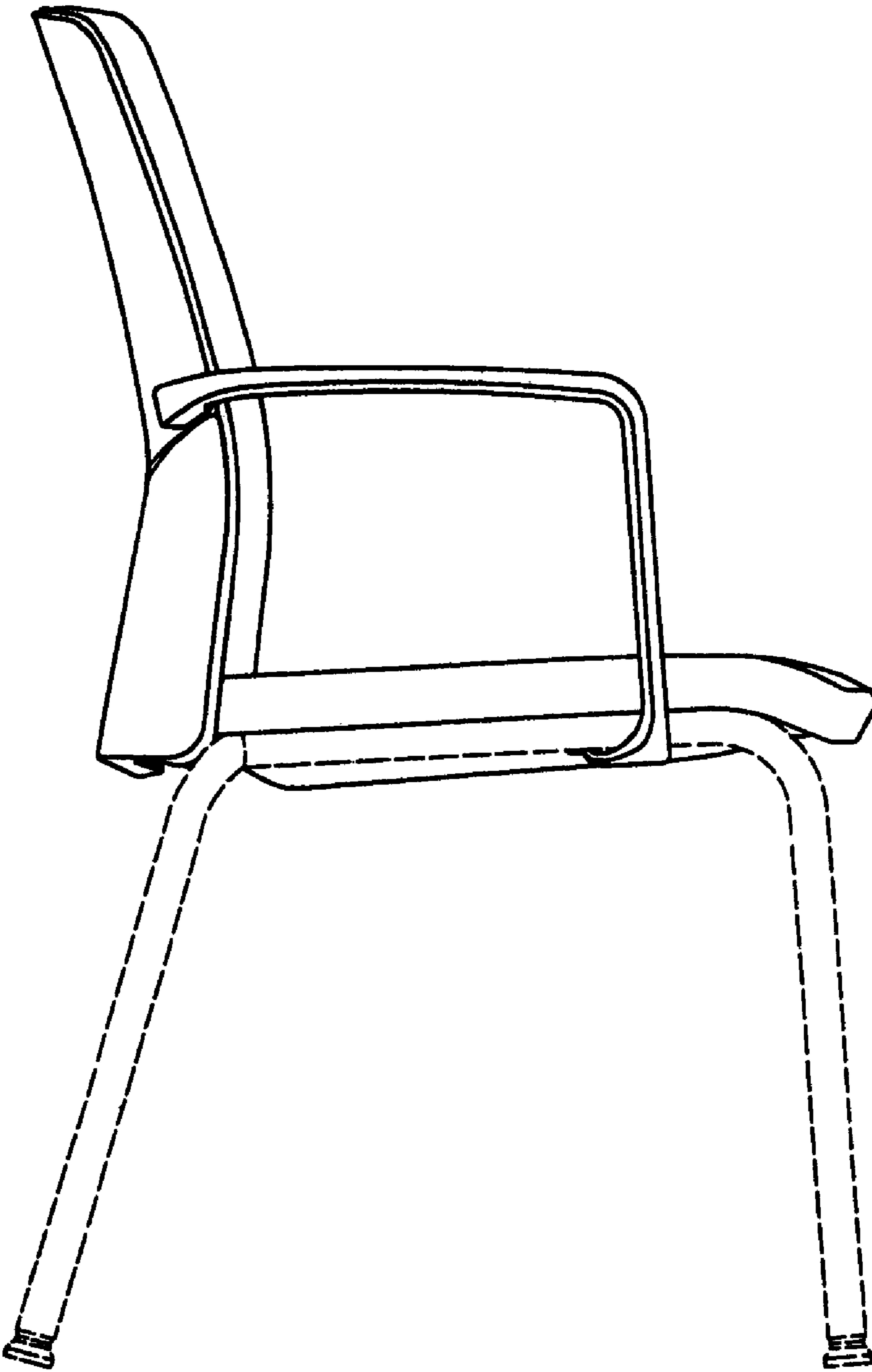


FIG. 6

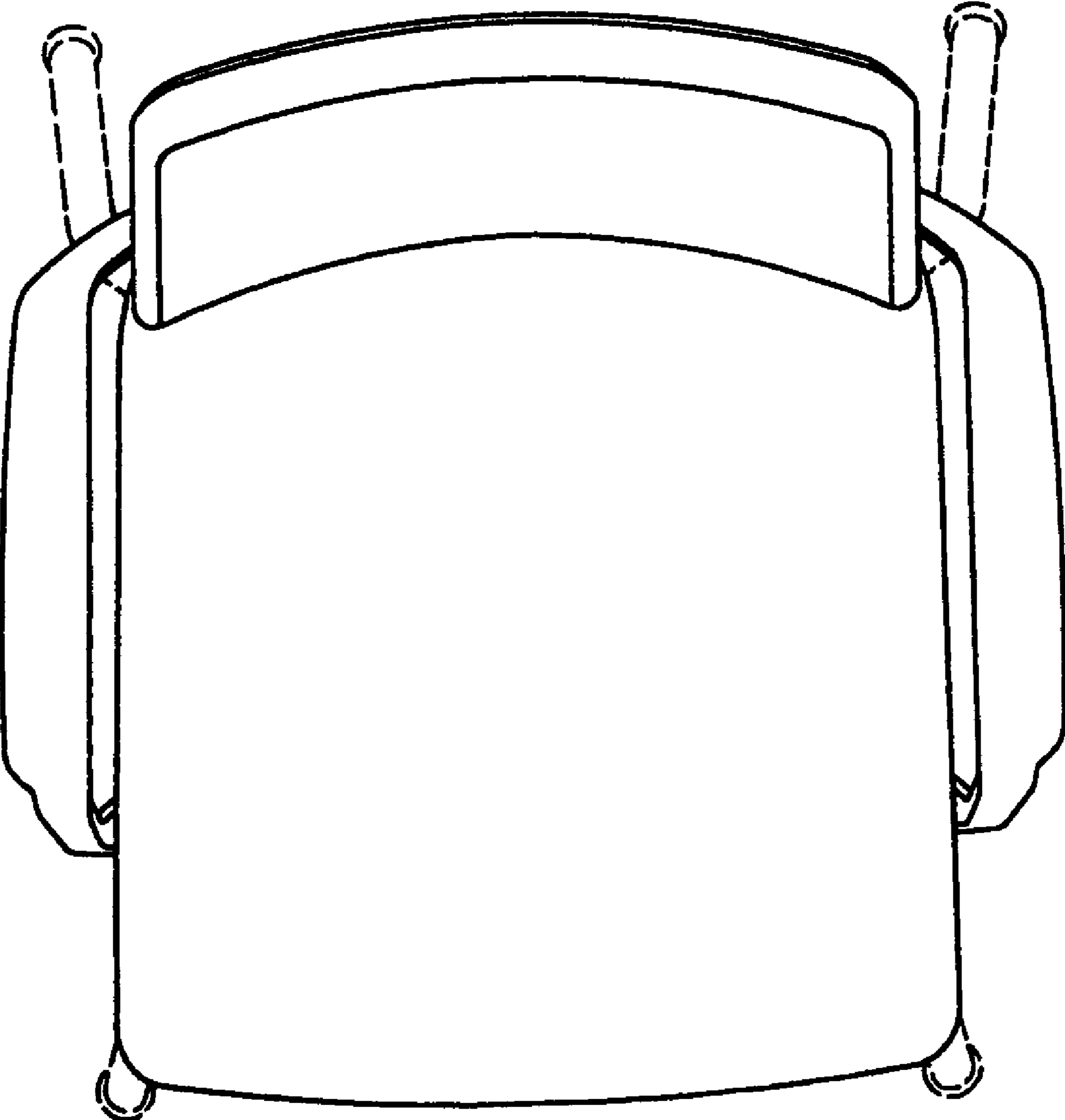


FIG. 7



UNITED STATES PATENT AND TRADEMARK OFFICE  
**CERTIFICATE OF CORRECTION**

PATENT NO. : Des. 604,067 S  
APPLICATION NO. : 29/302173  
DATED : November 17, 2009  
INVENTOR(S) : Gaschy et al.

Page 1 of 1

It is certified that error appears in the above-identified patent and that said Letters Patent is hereby corrected as shown below:

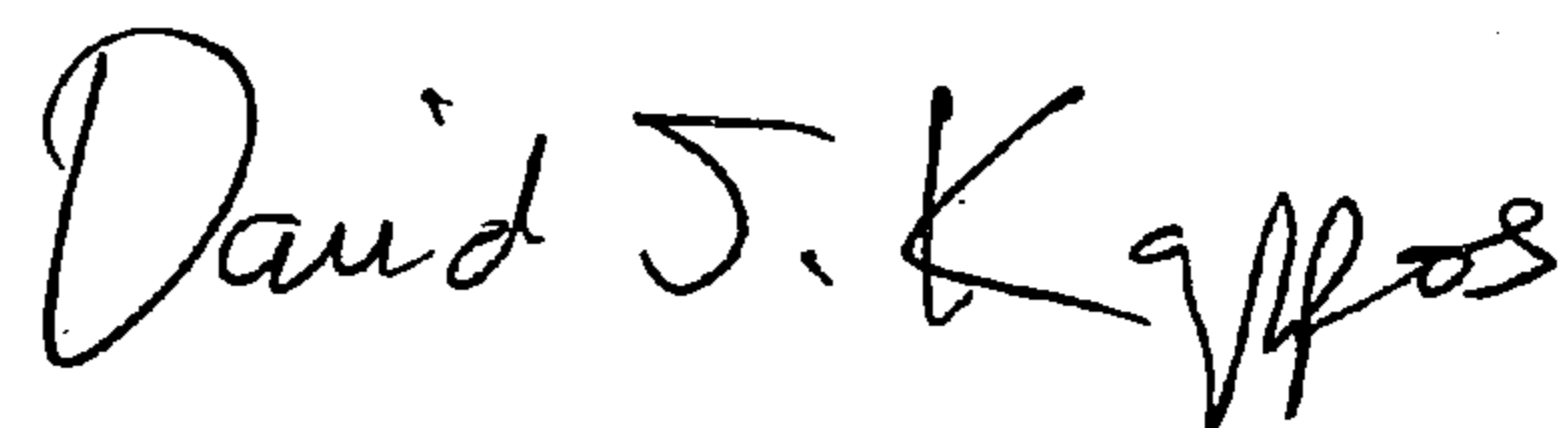
Title page, item [30] add:

Foreign Application Priority Data

July 12, 2007 (EU) European Office For Harmonization 000756572

Signed and Sealed this

Sixteenth Day of February, 2010

A handwritten signature in black ink that reads "David J. Kappos". The signature is written in a cursive style with a large initial 'D' and 'K'.

David J. Kappos  
*Director of the United States Patent and Trademark Office*