



US00D604063S

(12) **United States Design Patent**
Oshinomi et al.

(10) **Patent No.:** **US D604,063 S**

(45) **Date of Patent:** **** Nov. 17, 2009**

(54) **TABLE**

(75) Inventors: **Kunihide Oshinomi**, Tokyo (JP);
Takanari Negoro, Tokyo (JP)

(73) Assignee: **Okamura Corporation** (JP)

(**) Term: **14 Years**

(21) Appl. No.: **29/317,709**

(22) Filed: **May 5, 2008**

(30) **Foreign Application Priority Data**

Nov. 5, 2007 (JP) 2007-030511

(51) **LOC (9) Cl.** **06-03**

(52) **U.S. Cl.** **D6/480**

(58) **Field of Classification Search** D6/480-489,
D6/495-499, 429-431, 511; 108/150, 153.1,
108/156, 157.1, 161, 50.01, 50.02; 248/188,
248/188.1, 188.7, 188.8

See application file for complete search history.

(56) **References Cited**

U.S. PATENT DOCUMENTS

D98,365 S * 1/1936 Pumphrey D6/430
D225,951 S * 1/1973 Kienel D6/480
D319,279 S * 8/1991 Kaye D21/784
D334,677 S * 4/1993 Hinden D6/484
D377,723 S * 2/1997 Schacht D6/491

D403,902 S * 1/1999 Schwartz D6/491
6,725,784 B2 * 4/2004 Crinion 108/64
D493,306 S * 7/2004 Britschgi D6/480
6,895,868 B1 * 5/2005 Cronk et al. 108/50.02
D506,888 S * 7/2005 Althofer D6/480
D585,218 S * 1/2009 Hamilton et al. D6/480
2005/0268823 A1 * 12/2005 Bakker et al. 108/50.02
2006/0096506 A1 * 5/2006 Brauning et al. 108/50.02

* cited by examiner

Primary Examiner—Janice E Seeger

(74) *Attorney, Agent, or Firm*—Ostrolenk Faber LLP

(57) **CLAIM**

The ornamental design for a table, as shown and described.

DESCRIPTION

FIG. 1 is a perspective view of a table showing my new design;

FIG. 2 is a front elevational view thereof, the rear view being identical;

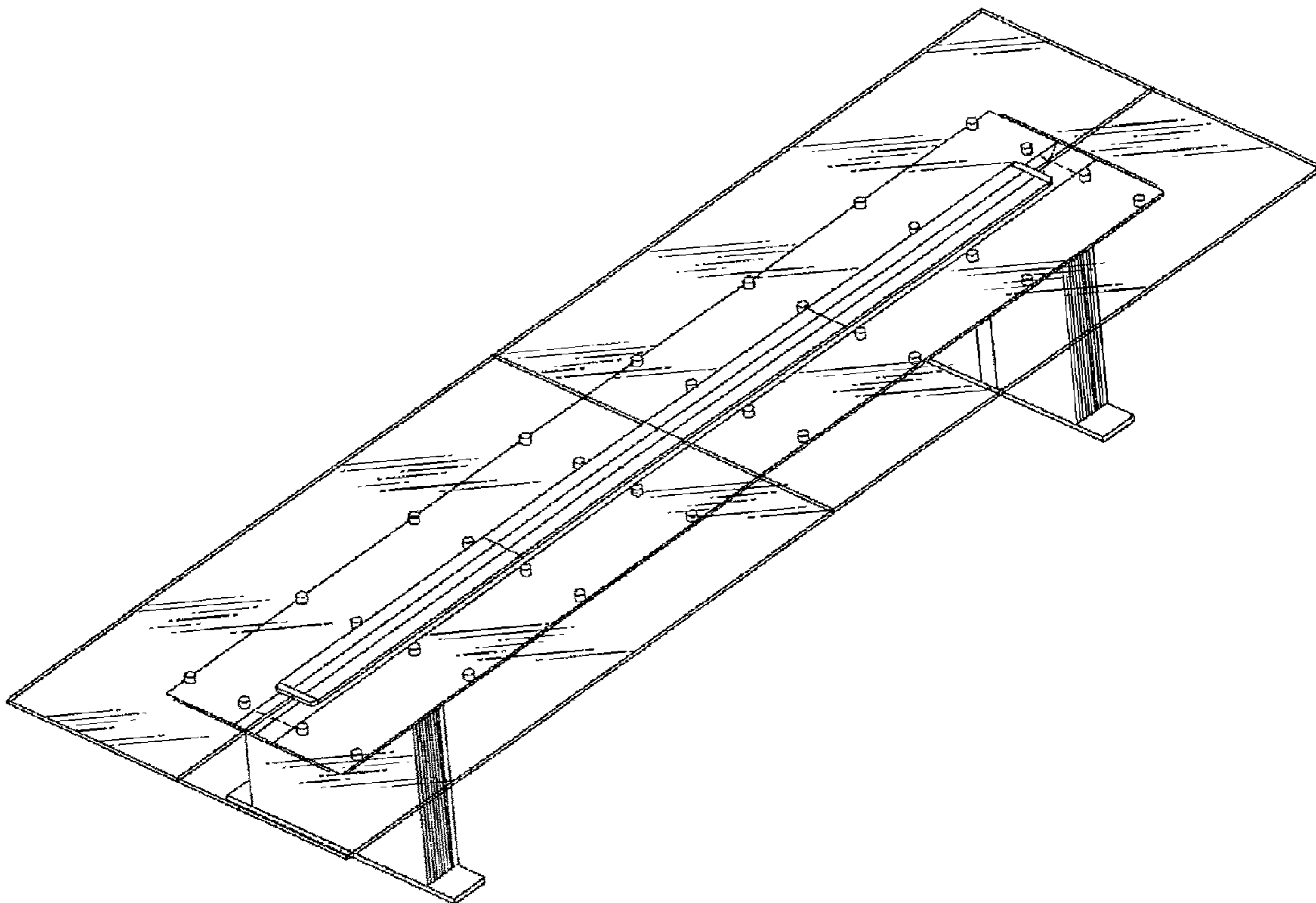
FIG. 3 is a top plan view thereof;

FIG. 4 is a bottom plan view thereof; and,

FIG. 5 is a one side elevational view thereof, the opposite side view being identical.

The broken lines are for environmental purposes only and form no part of the claimed design.

1 Claim, 5 Drawing Sheets



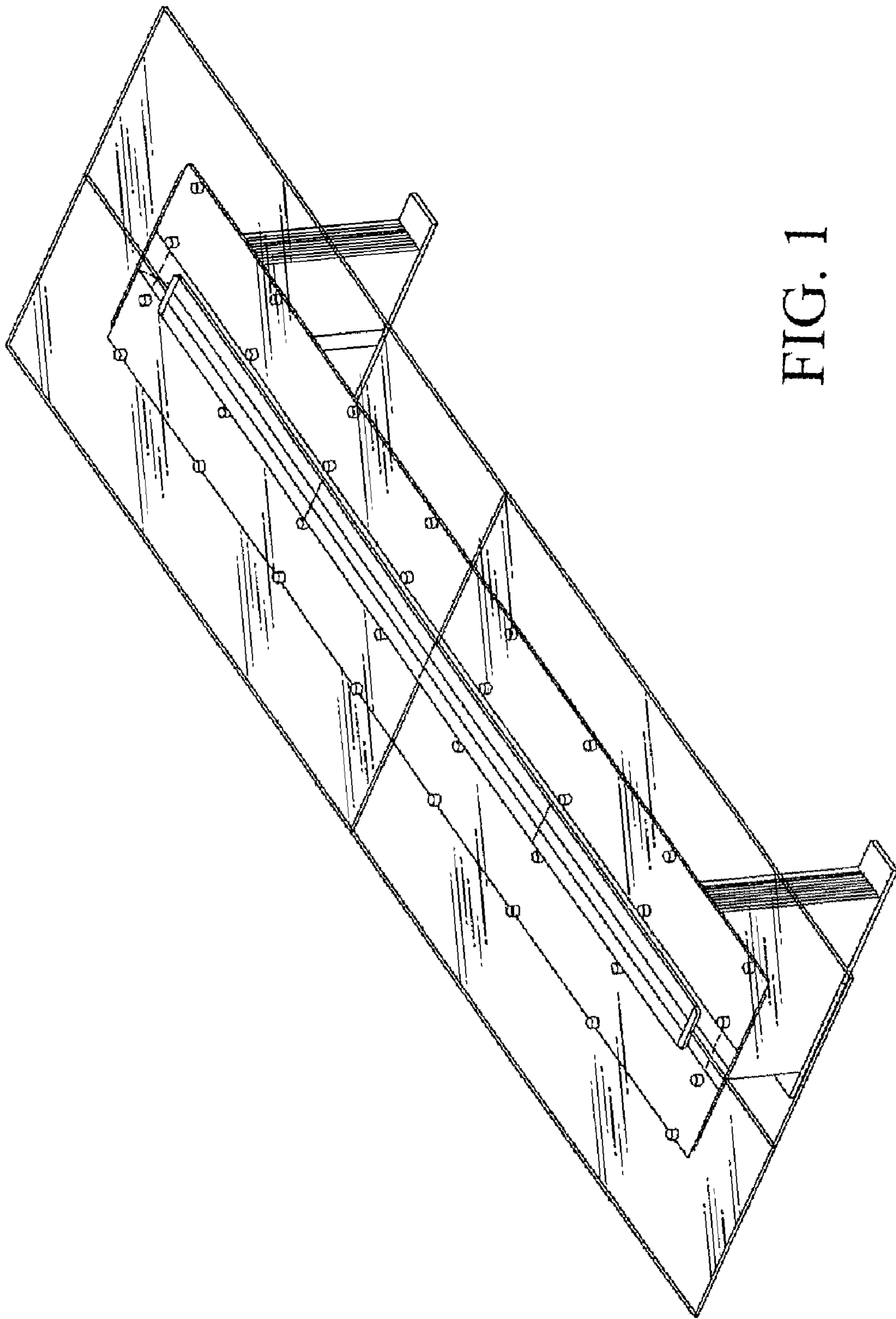


FIG. 1

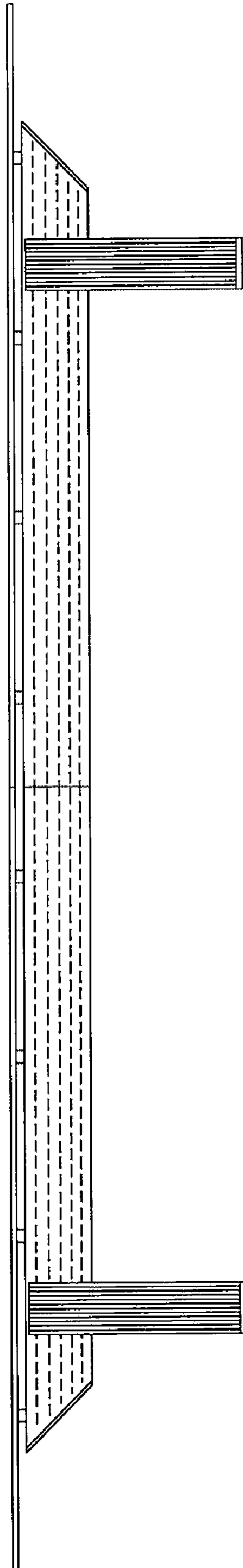


FIG. 2

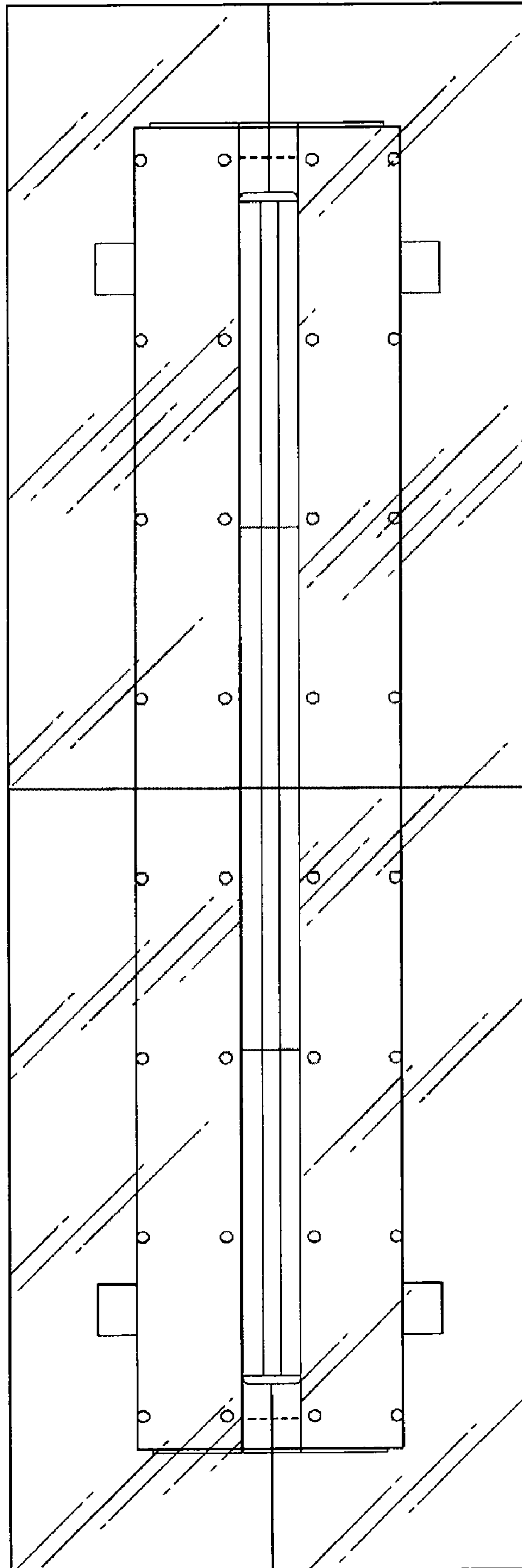


FIG. 3

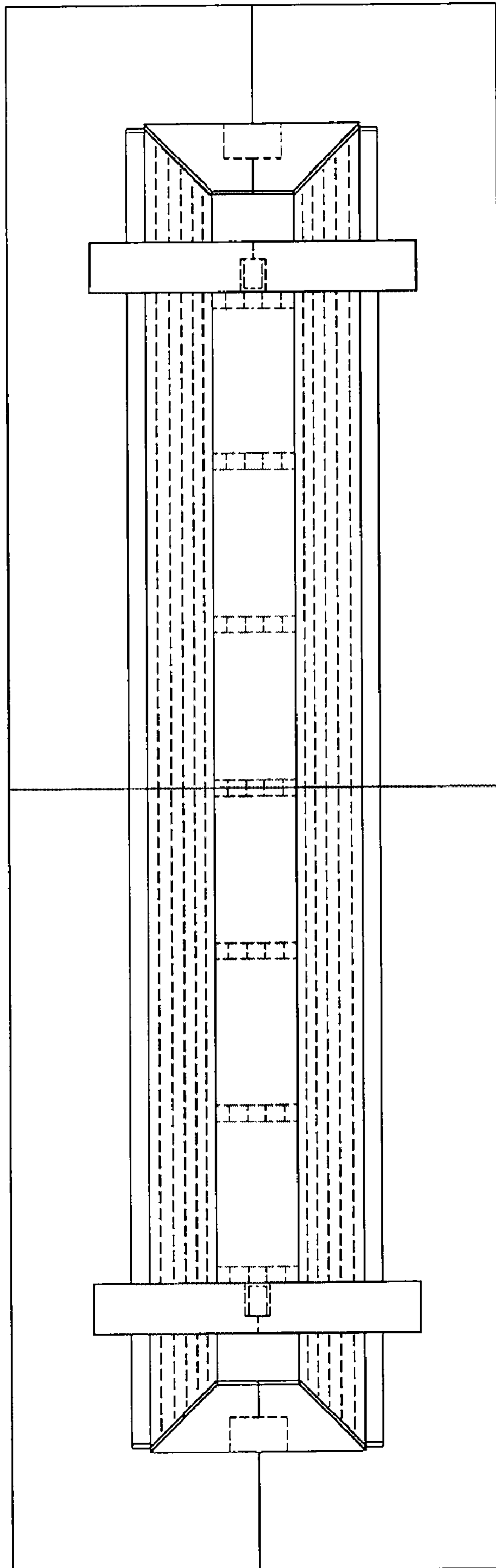


FIG. 4

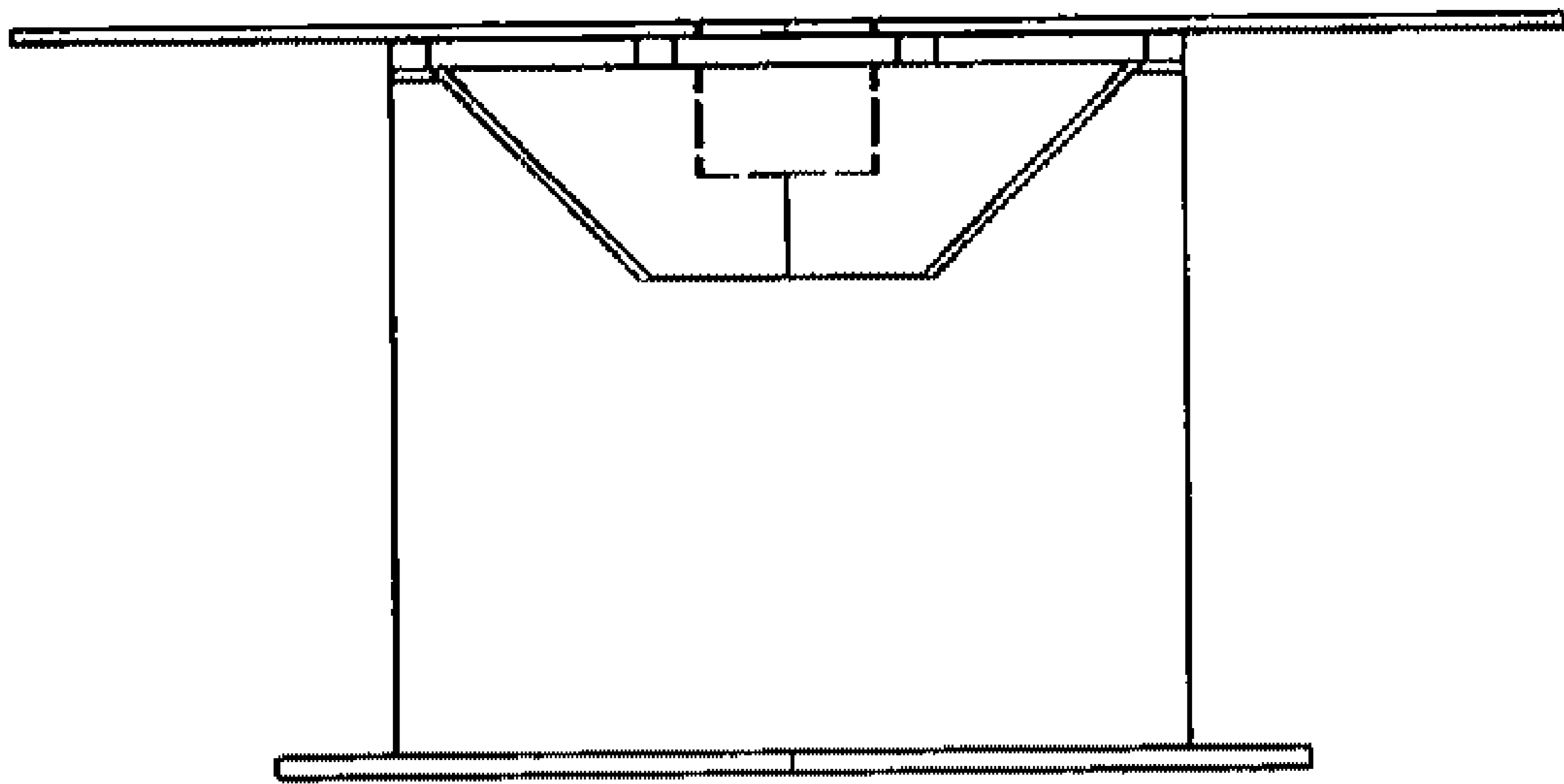


FIG. 5