



US00D604062S

(12) **United States Design Patent**  
**Wade et al.**

(10) **Patent No.:** **US D604,062 S**  
(45) **Date of Patent:** **\*\* Nov. 17, 2009**

(54) **DISPLAY DEVICE**

(75) Inventors: **Danny S. Wade**, Cohutta, GA (US);  
**Johannes Bakker**, Cohutta, GA (US)

(73) Assignee: **Beaulieu Group LLC**, Dalton, GA (US)

(\*\*) Term: **14 Years**

(21) Appl. No.: **29/341,424**

(22) Filed: **Aug. 5, 2009**

**Related U.S. Application Data**

(62) Division of application No. 29/302,986, filed on Jan. 30, 2008.

(51) **LOC (9) Cl.** ..... **06-07**

(52) **U.S. Cl.** ..... **D6/464**

(58) **Field of Classification Search** ..... D6/467,  
D6/458, 460-465, 449, 466; 211/85.1, 85.2,  
211/41.1, 41.5, 90.03, 113, 181.1, 13.1, 49.1;  
40/725; D20/42

See application file for complete search history.

(56) **References Cited**

**U.S. PATENT DOCUMENTS**

3,871,524 A 3/1975 Helf  
3,965,583 A 6/1976 Price

4,256,043 A 3/1981 Ovitz, III  
D267,658 S 1/1983 Samuels, Jr.  
6,170,674 B1 1/2001 Caterinacci  
D524,573 S 7/2006 Robinson et al.  
2002/0007578 A1 1/2002 Martorella  
2007/0119803 A1 5/2007 Raile

**FOREIGN PATENT DOCUMENTS**

CA 1117489 A1 2/1982  
FR 2640863 6/1990

*Primary Examiner*—Caron Veynar

*Assistant Examiner*—Sydney R Buffalow

(74) *Attorney, Agent, or Firm*—Sutherland Asbill & Brennan LLP

(57) **CLAIM**

The ornamental design for a display device, as shown and described.

**DESCRIPTION**

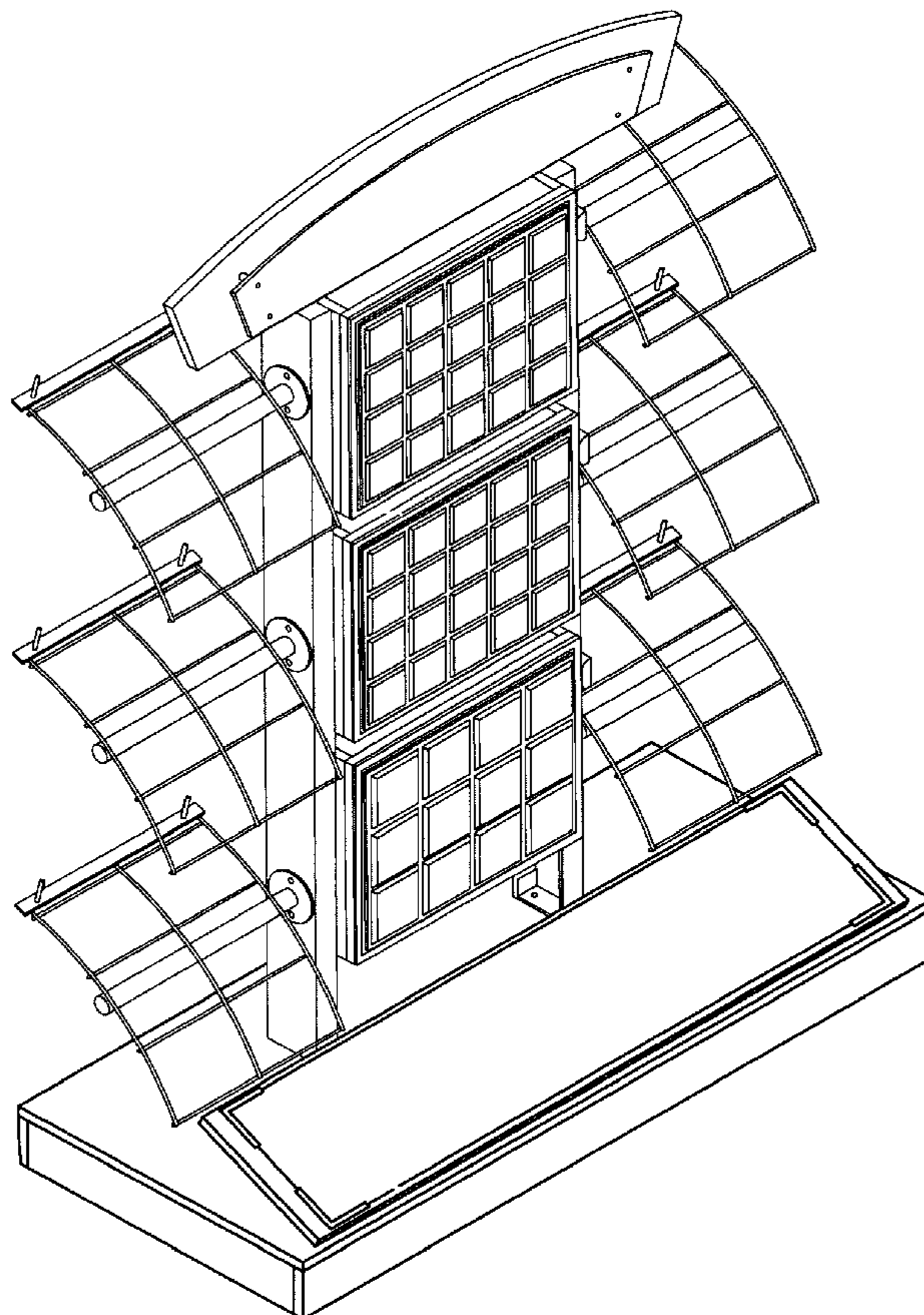
FIG. 1 is a perspective view of a display device showing my new design;

FIG. 2 is a front view thereof;

FIG. 3 is a right side view thereof, the left side view being identical; and,

FIG. 4 is a top view thereof.

**1 Claim, 3 Drawing Sheets**



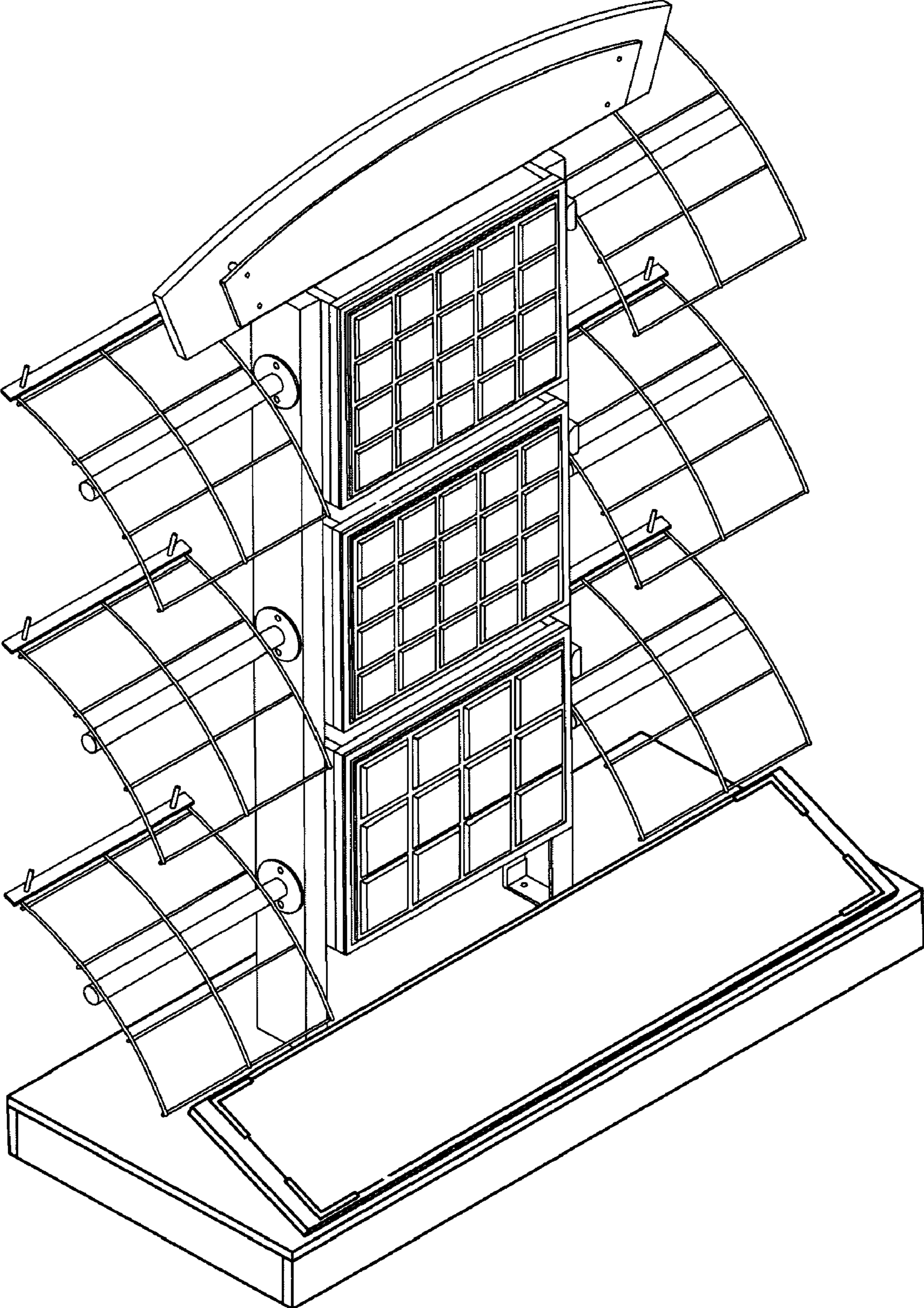


FIG. 1

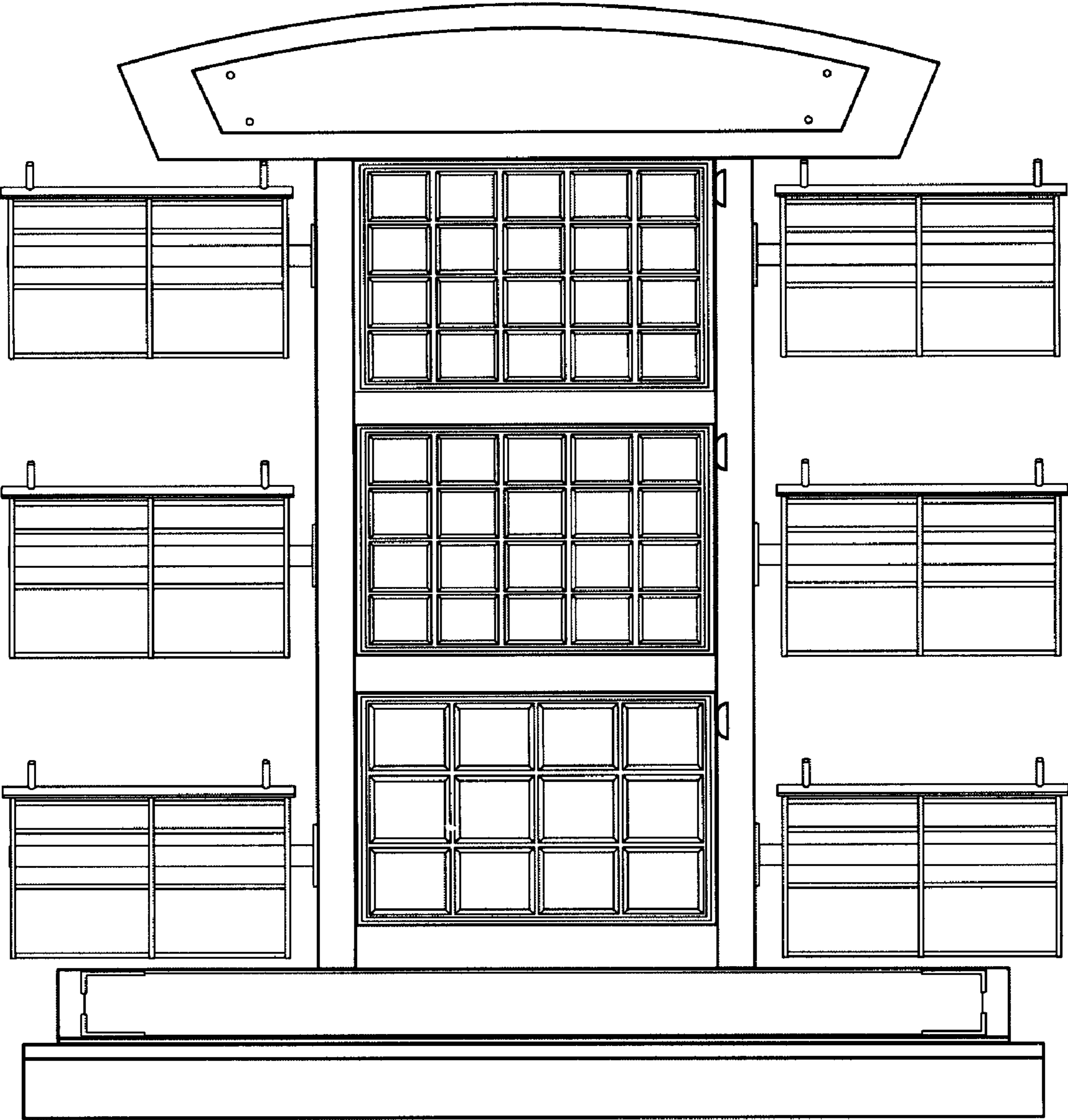
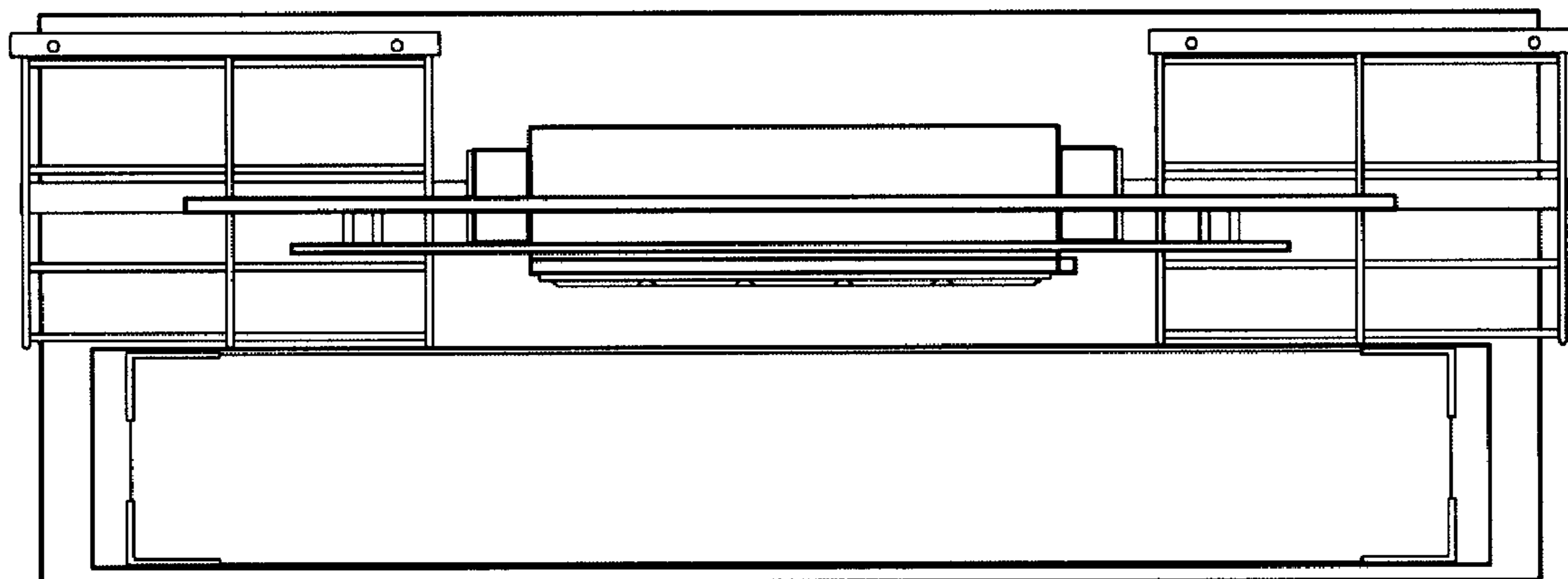
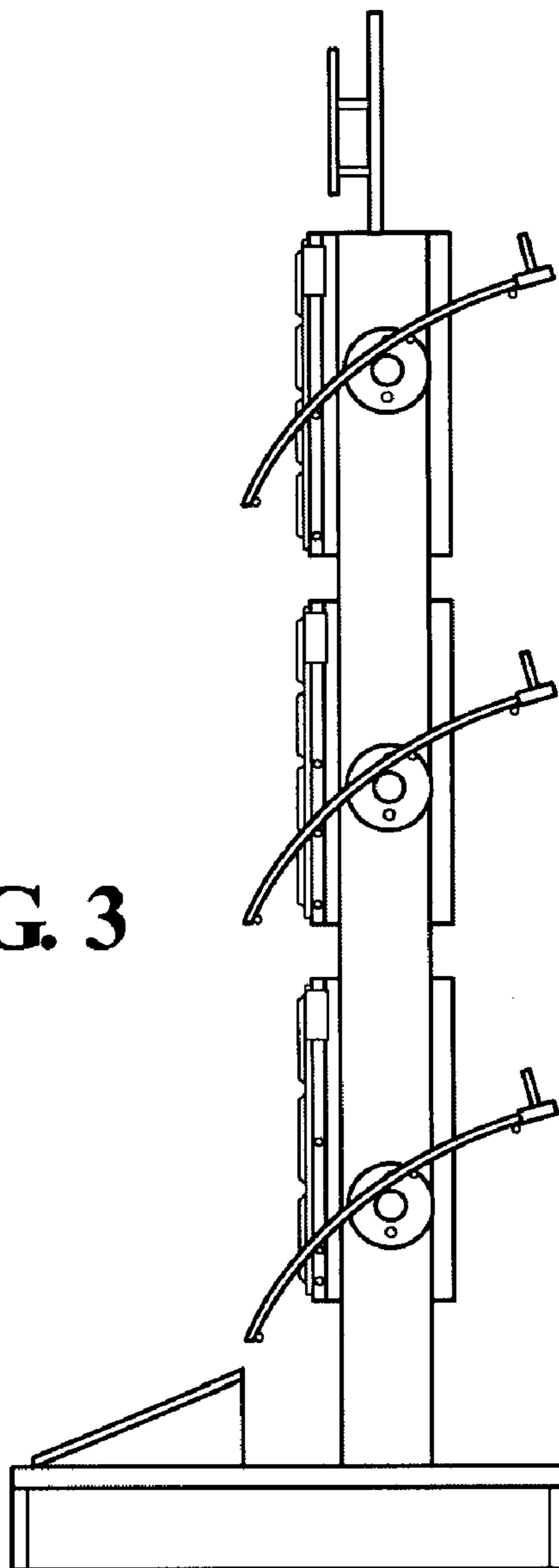


FIG. 2

**FIG. 3**



**FIG. 4**