



US00D604061S

(12) **United States Design Patent**
Hand

(10) **Patent No.:** **US D604,061 S**

(45) **Date of Patent:** **** *Nov. 17, 2009**

(54) **TOOL CHEST AND CABINET**

D205,522 S 8/1966 Doman

(75) Inventor: **Jim Hand**, Glen Ellyn, IL (US)

(Continued)

(73) Assignee: **Waterloo Industries, Inc.**, Oak Creek, WI (US)

Primary Examiner—Joel Sincavage

Assistant Examiner—Ricky Pham

(74) *Attorney, Agent, or Firm*—Calfee, Halter & Griswold LLP

(*) Notice: This patent is subject to a terminal disclaimer.

(**) Term: **14 Years**

(21) Appl. No.: **29/271,067**

(22) Filed: **Jan. 9, 2007**

Related U.S. Application Data

(63) Continuation of application No. 29/270,008, filed on Dec. 13, 2006.

(51) **LOC (9) Cl.** **06-04**

(52) **U.S. Cl.** **D6/455**

(58) **Field of Classification Search** D3/260,
D3/272–275, 276, 283, 294–297, 318, 321–322,
D3/903, 905; D6/396–397, 432–448, 491,
D6/509–510; D8/313; D32/25; D34/12;
206/349, 372–373, 376–379; 312/107, 117,
312/125, 204, 209, 224, 249.1, 249.8, 249.11,
312/249.12, 257.1, 280–282, 308, 332.1,
312/351, 902; 361/695

See application file for complete search history.

(56) **References Cited**

U.S. PATENT DOCUMENTS

D182,558 S * 4/1958 Willman D8/313

(57) **CLAIM**

I claim the ornamental design for a tool chest and cabinet, as shown and described.

DESCRIPTION

FIG. 1 is a perspective view of a tool chest and cabinet of the new design;

FIG. 2 is a front elevation view of the tool chest and cabinet of FIG. 1;

FIG. 3 is a rear view of the tool chest and cabinet of FIG. 1;

FIG. 4 is a left side view of the tool chest and cabinet of FIG. 1;

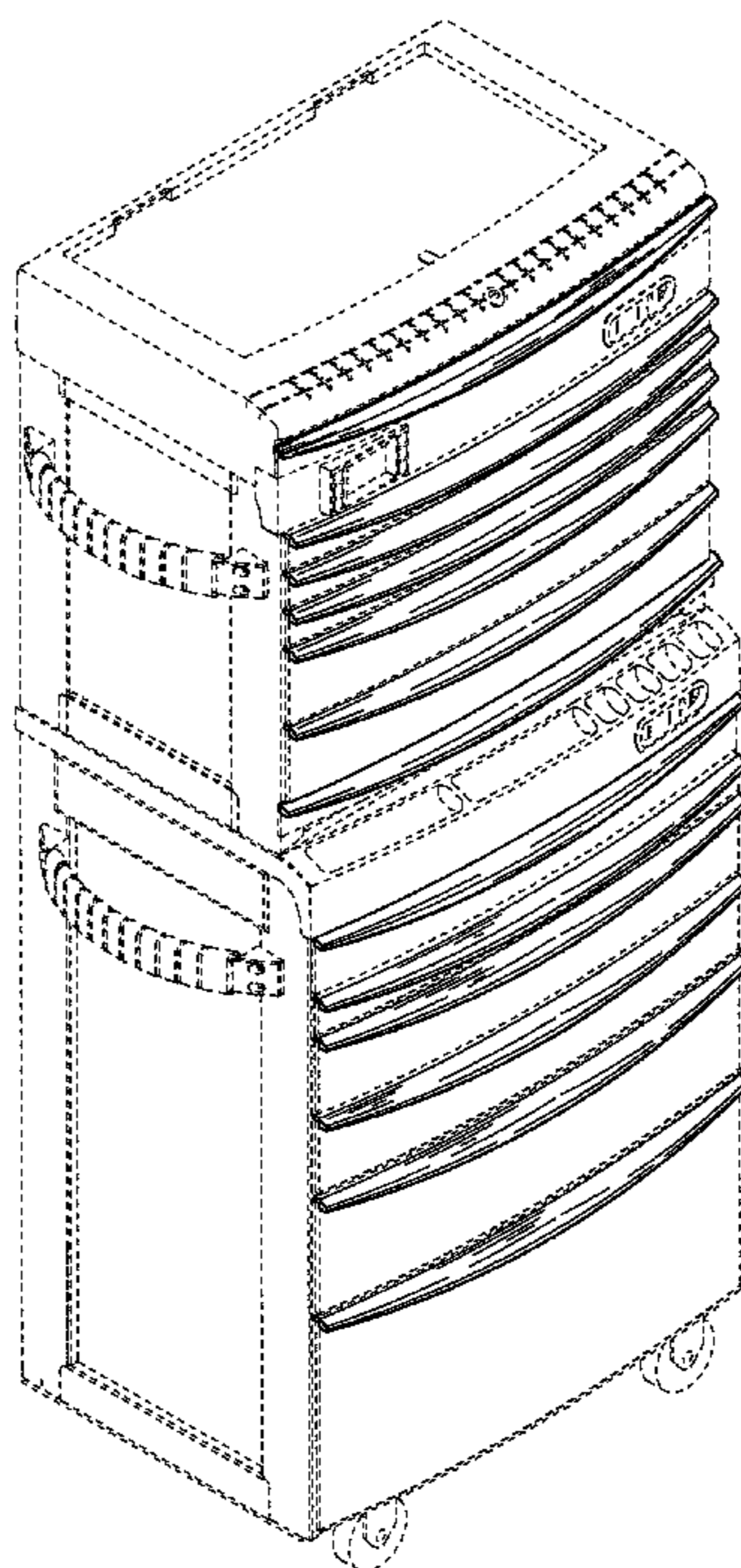
FIG. 5 is a right side view of the tool chest and cabinet of FIG. 1;

FIG. 6 is a top view of the tool chest and cabinet of FIG. 1; and,

FIG. 7 is a bottom view of the tool chest and cabinet of FIG. 1.

The phantom lines at the rear edge of the claimed subject matter indicate boundary of claimed design. All other phantom lines are shown in the drawings for illustrative purposes only and form no part of the claimed design.

1 Claim, 5 Drawing Sheets



US D604,061 S

Page 2

U.S. PATENT DOCUMENTS

D218,080 S	7/1970	Sierzega	
D229,262 S *	11/1973	Pearson	D6/433
4,120,549 A	10/1978	Bureau	
D341,253 S	11/1993	Ballman et al.	
5,281,020 A *	1/1994	Romick	312/308
5,332,305 A	7/1994	Slivon et al.	
D356,703 S *	3/1995	Dickinson	D6/439
5,443,311 A	8/1995	Kadlecek et al.	
5,482,162 A *	1/1996	Dickinson	206/373
5,497,878 A *	3/1996	Sandonato	206/372
D370,342 S	6/1996	Gwyther	
5,720,535 A	2/1998	Mehman	
D393,541 S	4/1998	Calmeise	
5,857,757 A	1/1999	Bieker et al.	
D423,817 S *	5/2000	Holcomb et al.	D6/445
D423,818 S	5/2000	Holcomb et al.	
D427,807 S	7/2000	Holcomb et al.	
6,109,709 A	8/2000	Holcomb et al.	
D430,426 S	9/2000	Bieker et al.	
D431,934 S *	10/2000	Chininis	D6/446
D448,168 S	9/2001	Johnston	
D453,074 S	1/2002	Johnston	
D455,902 S	4/2002	Wolf	
D461,067 S	8/2002	Frank et al.	
D477,724 S *	7/2003	Bishop	D6/434
D504,260 S *	4/2005	Arceta	D6/510
D505,237 S	5/2005	Schmidt et al.	
D514,854 S	2/2006	Schmidt et al.	
D517,805 S	3/2006	Hosking	
D520,784 S	5/2006	Schmidt et al.	
D526,782 S	8/2006	Hosking	
D538,997 S *	3/2007	Schlembach	D34/12
D549,408 S *	8/2007	Lee	D32/25
D554,370 S *	11/2007	Hand	D3/297
D554,864 S *	11/2007	Hand	D3/297
D563,103 S *	3/2008	Hand	D3/297
D563,119 S *	3/2008	Malley et al.	D6/445
D563,120 S *	3/2008	Malley et al.	D6/445
D566,396 S *	4/2008	Hand	D3/297
D568,078 S *	5/2008	Kohagen et al.	D6/510
D568,608 S *	5/2008	Hand	D3/297
D573,792 S *	7/2008	Hand	D3/297
2007/0228903 A1 *	10/2007	Liu	312/280
2007/0274042 A1 *	11/2007	Jackson et al.	361/695

* cited by examiner

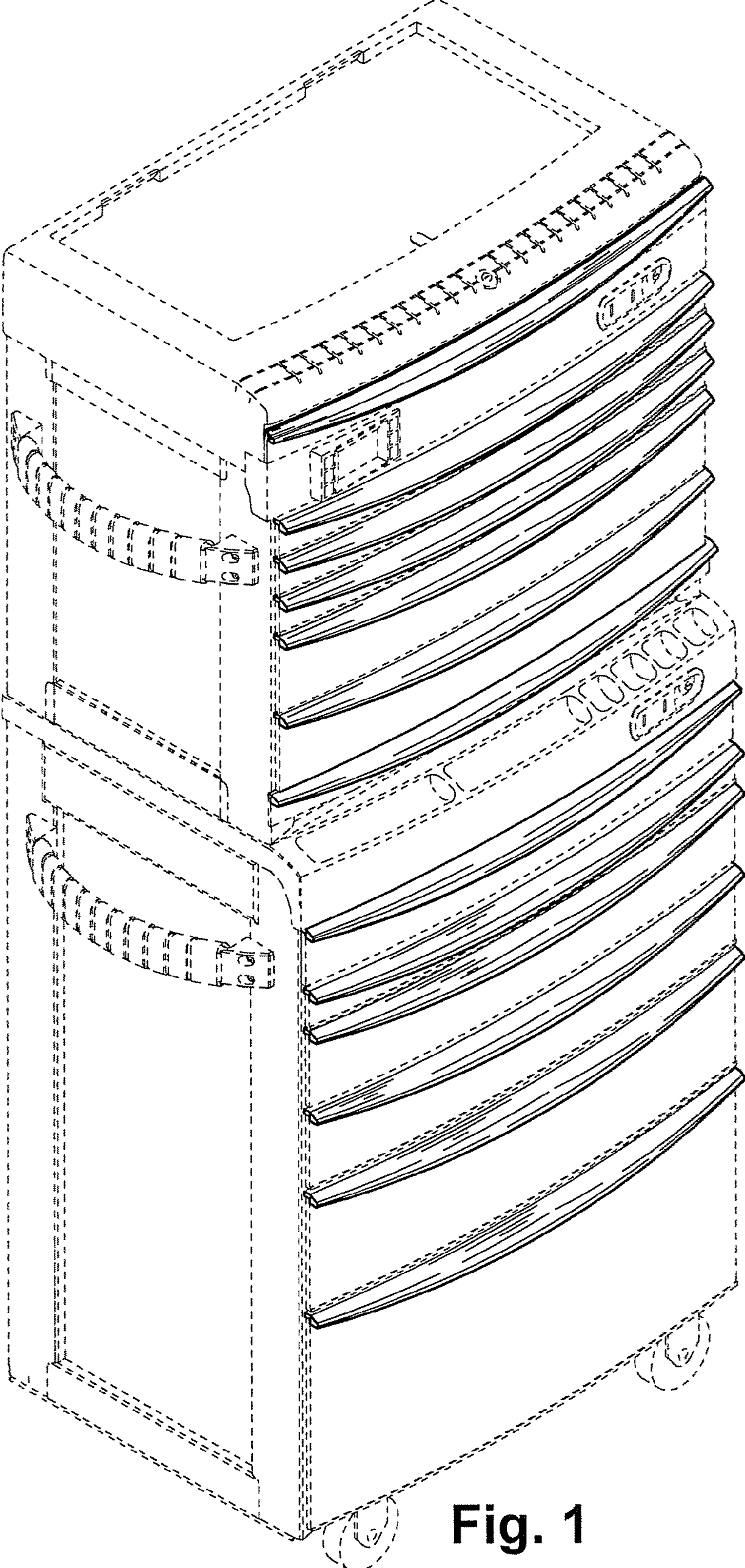


Fig. 1

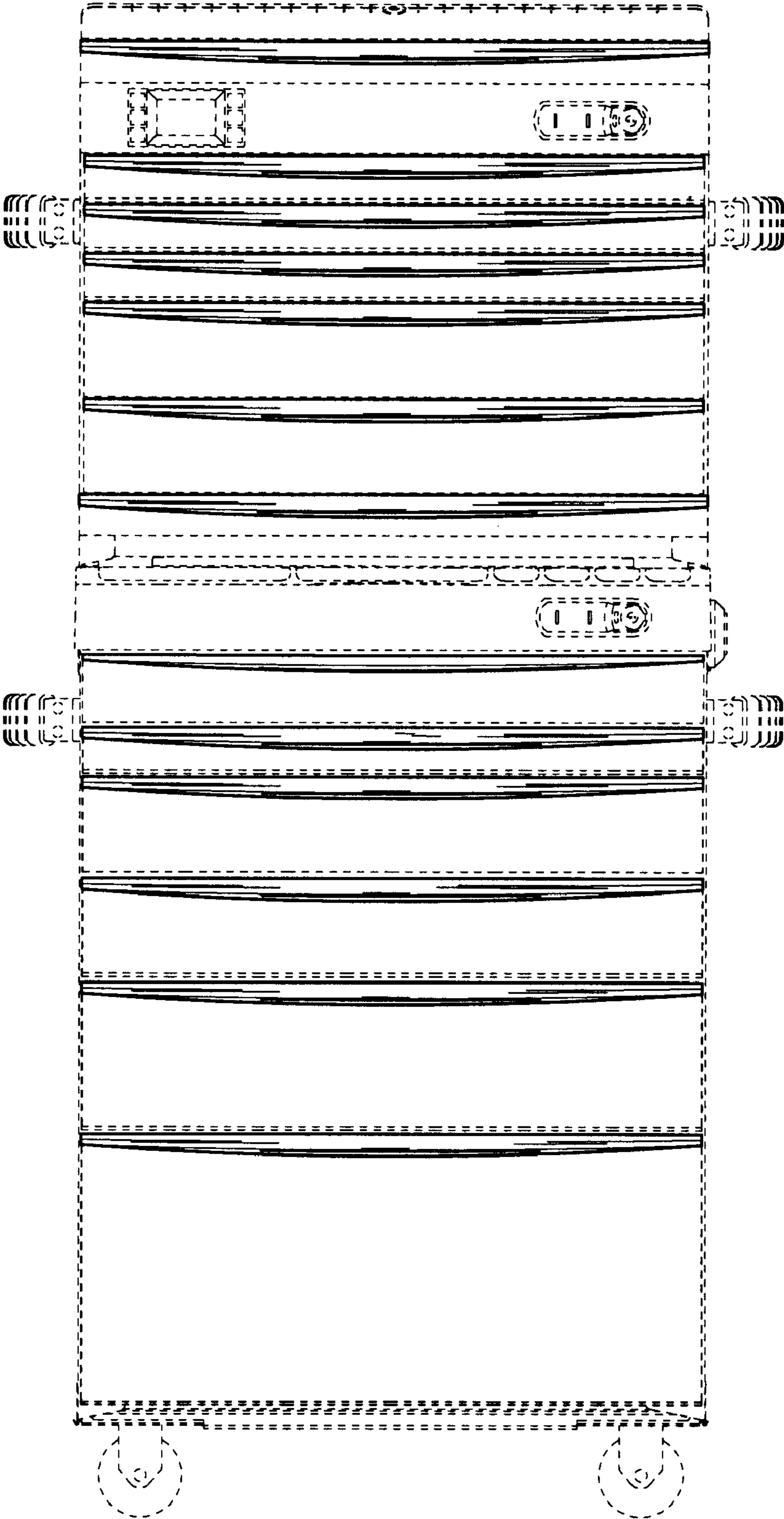


Fig. 2

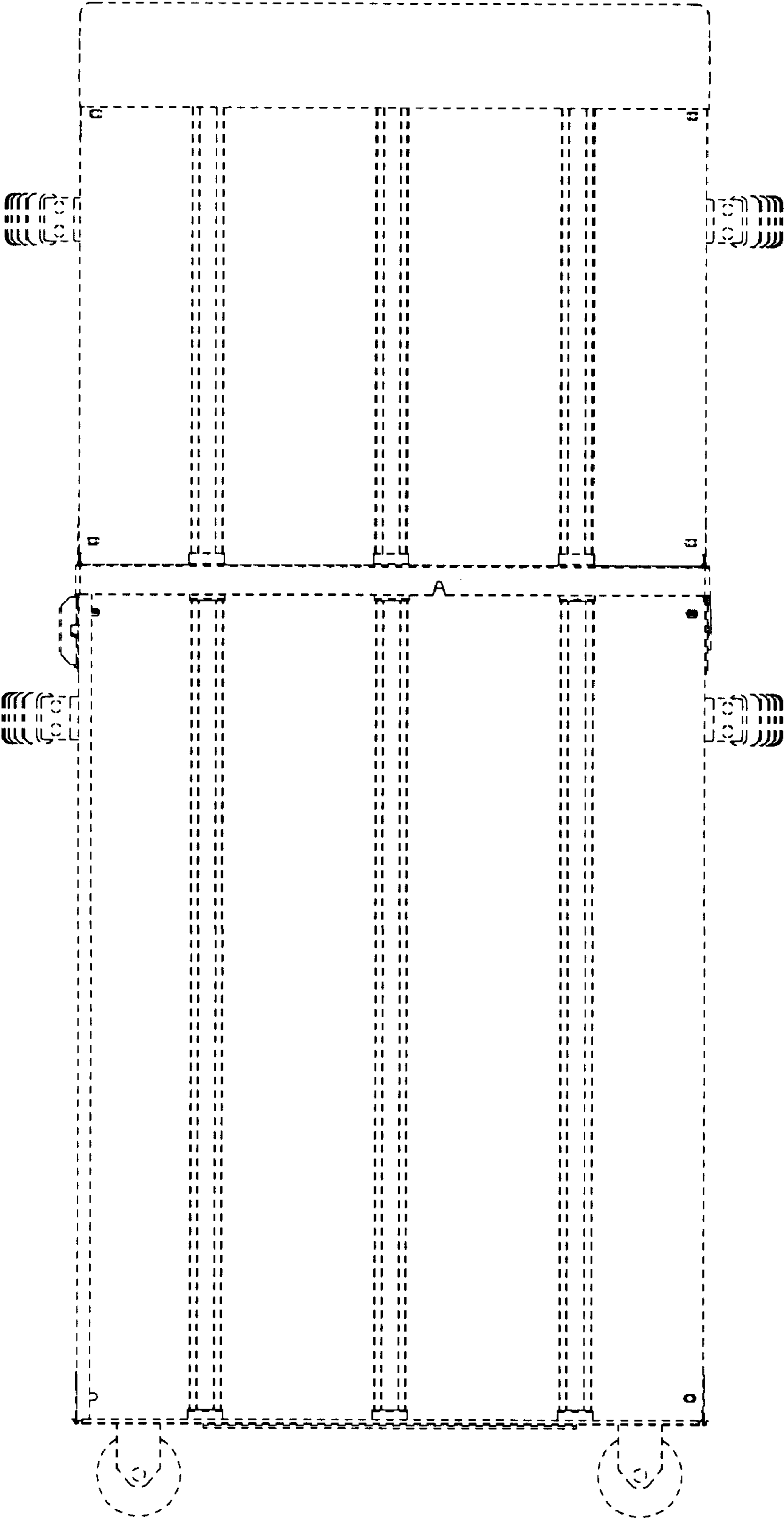


Fig. 3

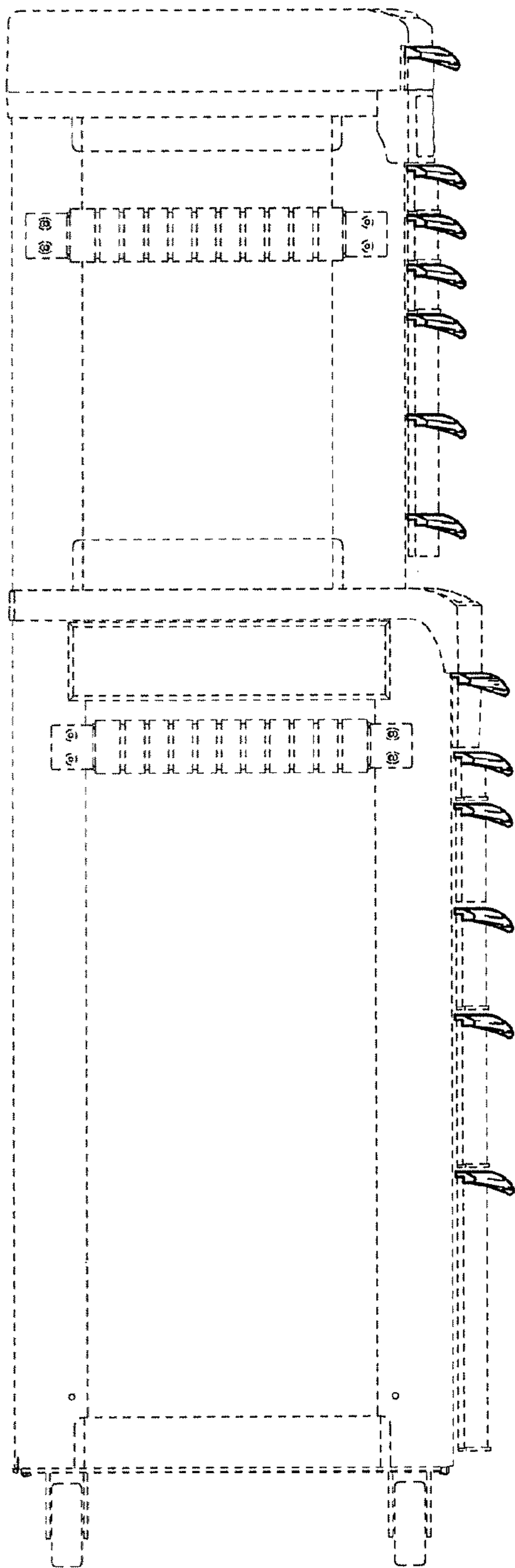


Fig. 4

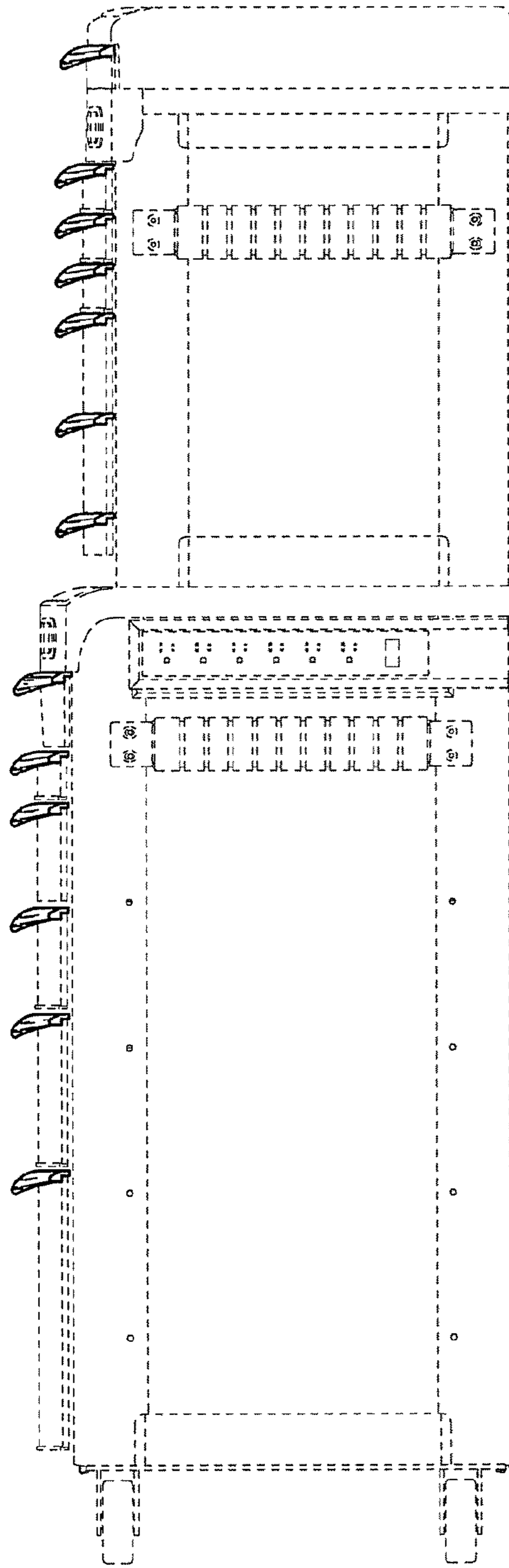


Fig. 5

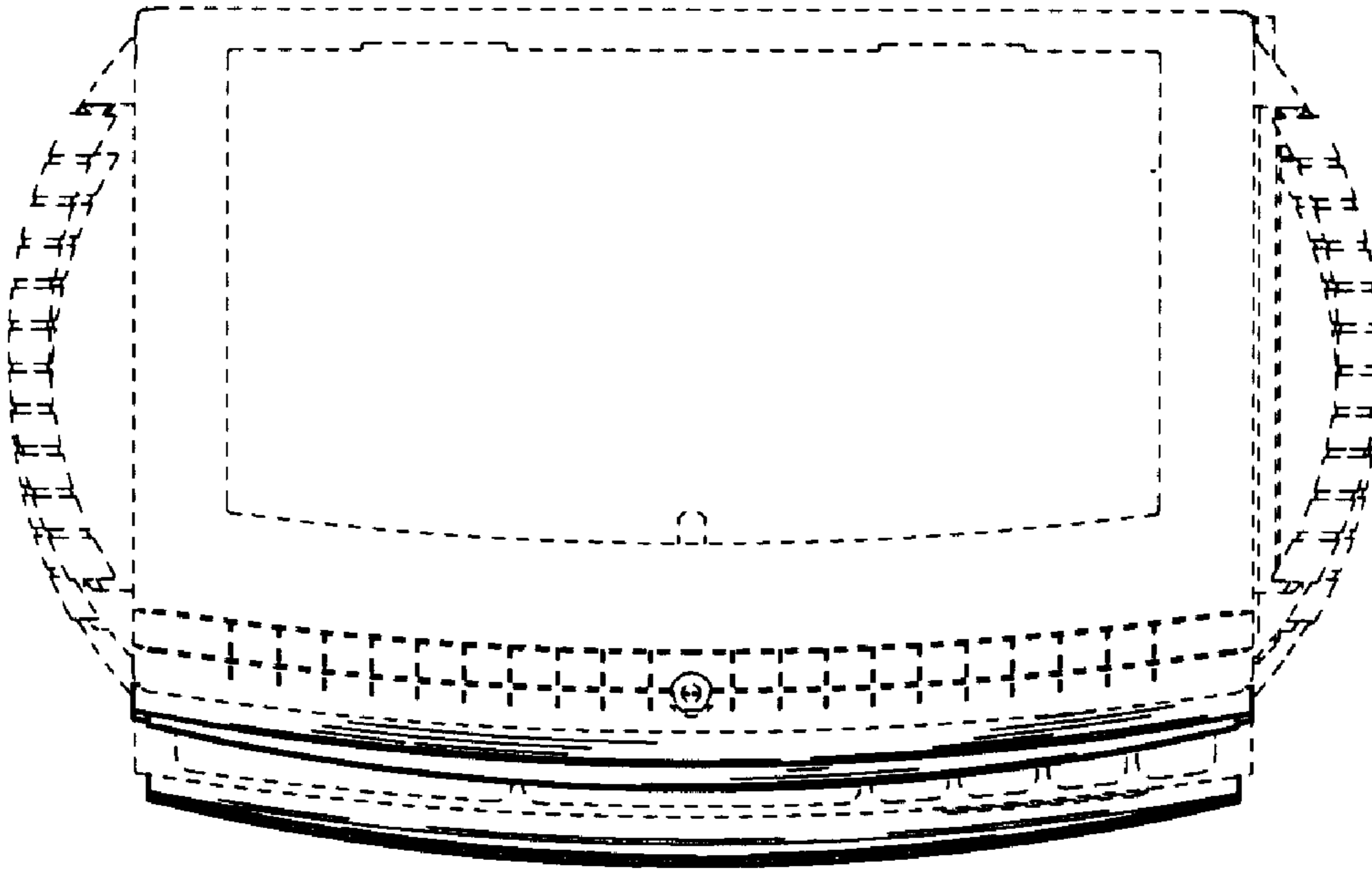


Fig. 6

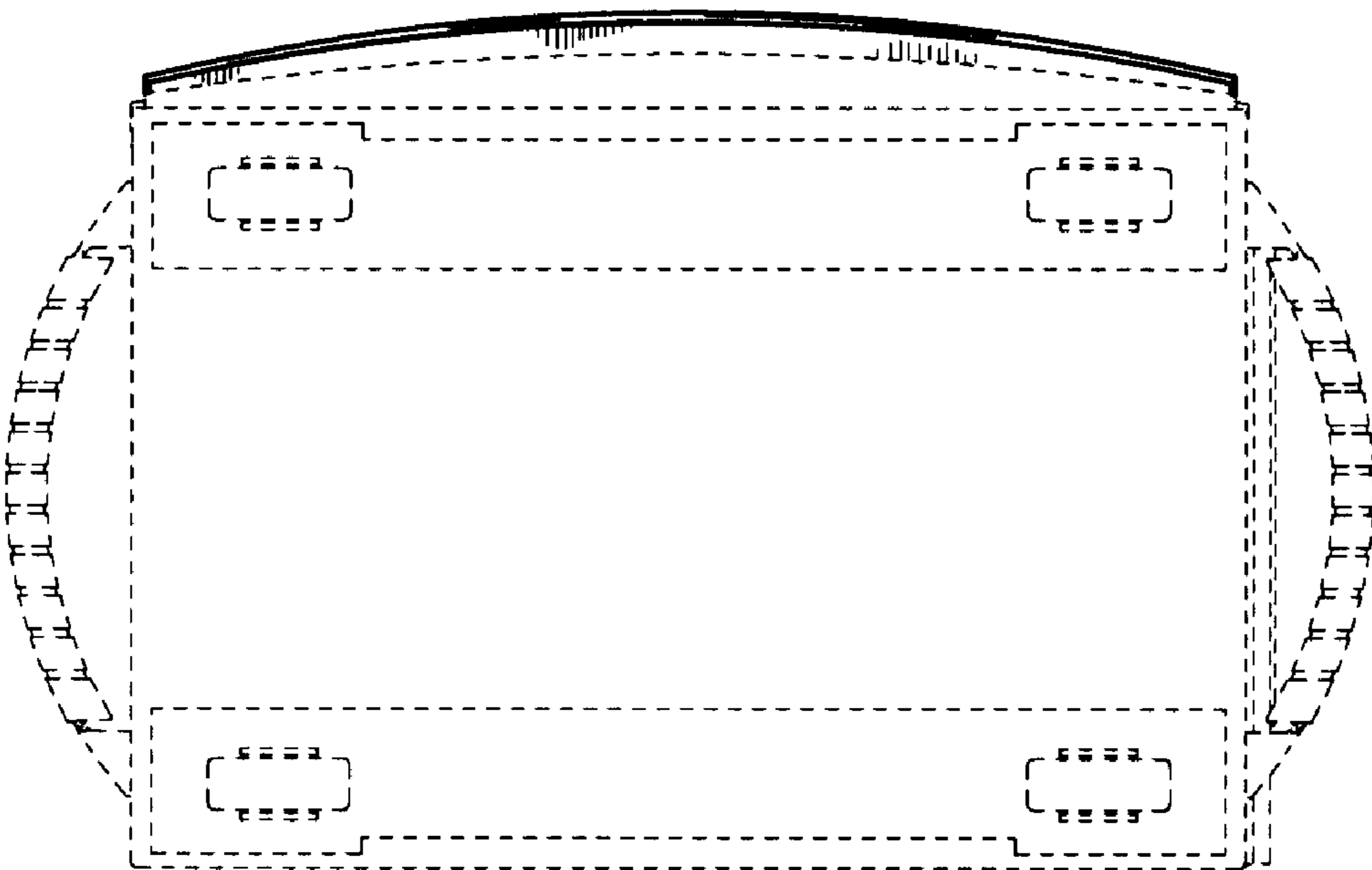


Fig. 7