



US00D604059S

(12) **United States Design Patent**
Khoo et al.

(10) **Patent No.:** **US D604,059 S**

(45) **Date of Patent:** **** Nov. 17, 2009**

(54) **DISPLAY AND TESTING COUNTER**

(75) Inventors: **Mark Kim Yew Khoo**, Singapore (SG);
Eric Gizard, Paris (FR)

(73) Assignee: **The Procter & Gamble Company**,
Cincinnati, OH (US)

(**) Term: **14 Years**

(21) Appl. No.: **29/308,653**

(22) Filed: **Jun. 27, 2008**

(51) **LOC (9) Cl.** **06-04**

(52) **U.S. Cl.** **D6/396**

(58) **Field of Classification Search** D6/396-397,
D6/474, 449-451, 480, 482, 429, 484, 400;
211/135-134, 186

See application file for complete search history.

(56) **References Cited**

U.S. PATENT DOCUMENTS

D250,372 S *	11/1978	Szabo et al.	D6/455
D282,775 S *	2/1986	Floyd, Sr.	D24/183
D291,851 S *	9/1987	Salvato	D6/482
D299,092 S *	12/1988	Leolli	D6/474
D366,787 S *	2/1996	Konecny	D6/474
5,622,118 A *	4/1997	Rowan	108/65
D428,557 S *	7/2000	Chang	D6/422
D445,490 S *	7/2001	Ferrer Beltran	D23/286
D474,921 S *	5/2003	Chen	D6/426

D512,851 S *	12/2005	Chang	D6/425
D530,546 S *	10/2006	Muller	D6/482
D571,575 S *	6/2008	Hunter	D6/455
D591,075 S *	4/2009	Gadzinski et al.	D6/426

* cited by examiner

Primary Examiner—Elizabeth A Albert

Assistant Examiner—Kelley A Donnelly

(74) *Attorney, Agent, or Firm*—Megan C. Hymore; Eric T. Addington; Tara M. Rosnell

(57) **CLAIM**

The ornamental design for display and testing counter, as shown and described.

DESCRIPTION

FIG. 1 is a perspective view of a display and testing counter, embodying our new design;

FIG. 2 is a front view thereof;

FIG. 3 is a back view thereof;

FIG. 4 is a top plan view thereof;

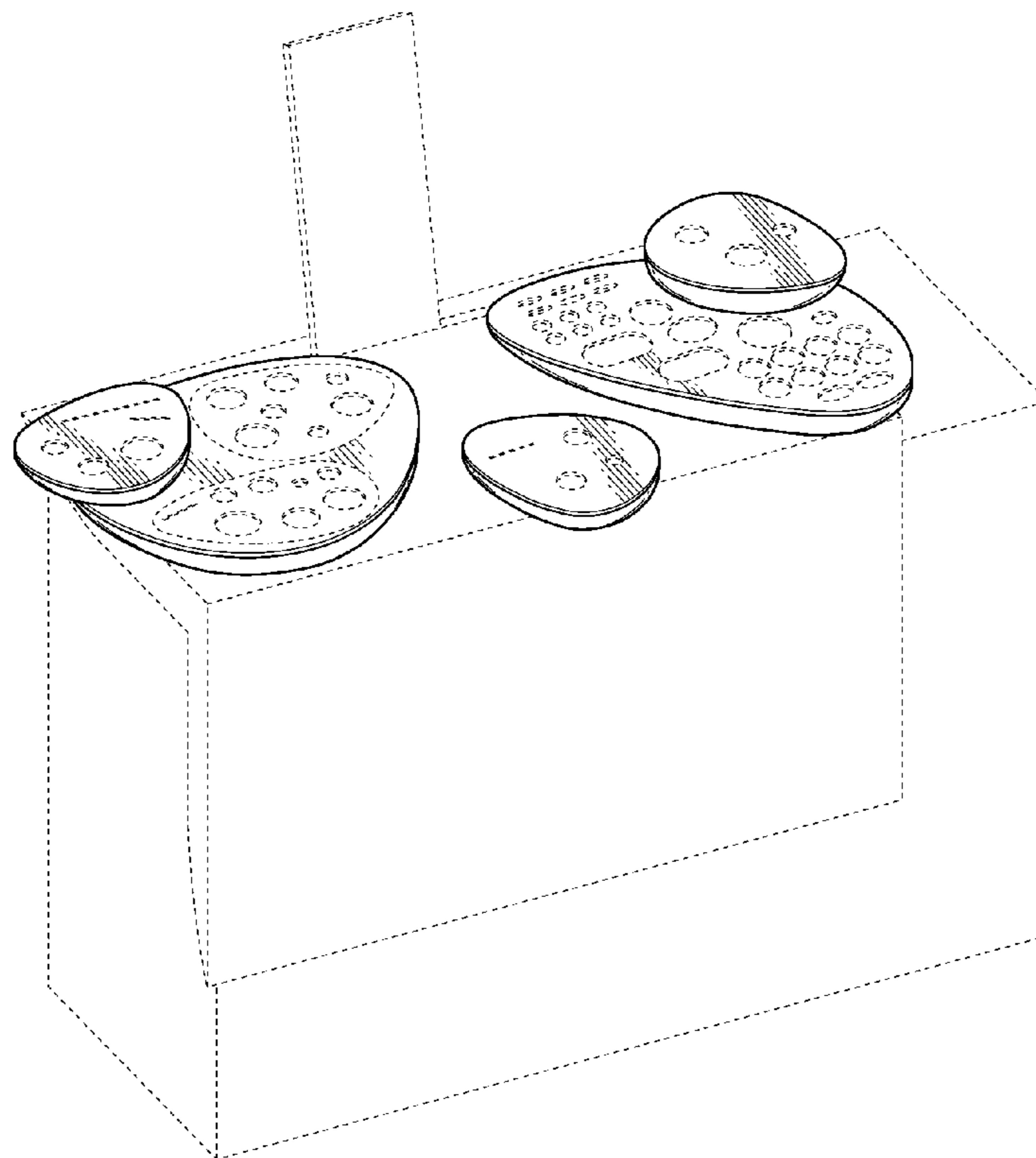
FIG. 5 is a bottom view thereof;

FIG. 6 is a right side view thereof; and,

FIG. 7 is a left side view thereof.

The broken lines are for environmental purposes only and form no part of the claimed design.

1 Claim, 5 Drawing Sheets



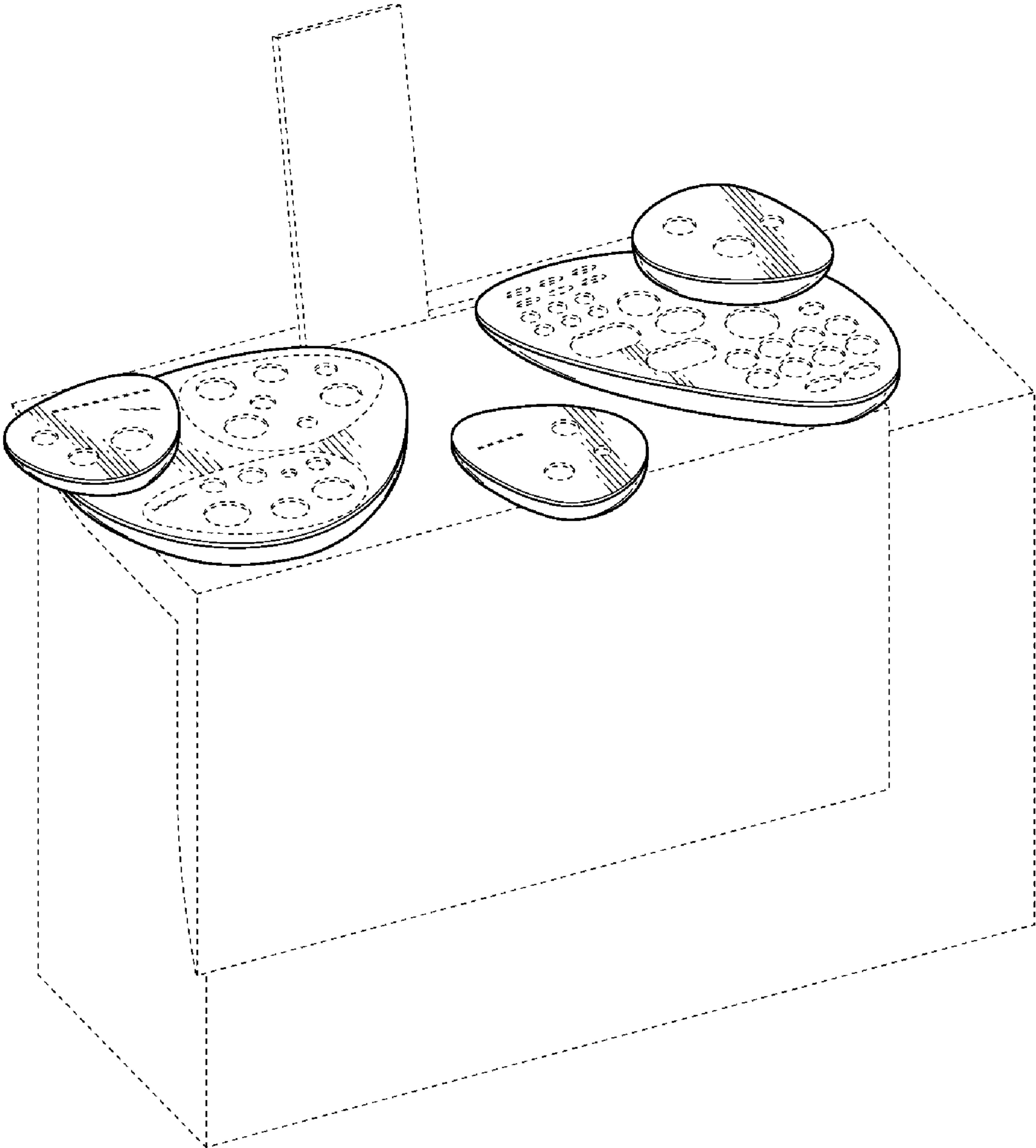


Fig. 1

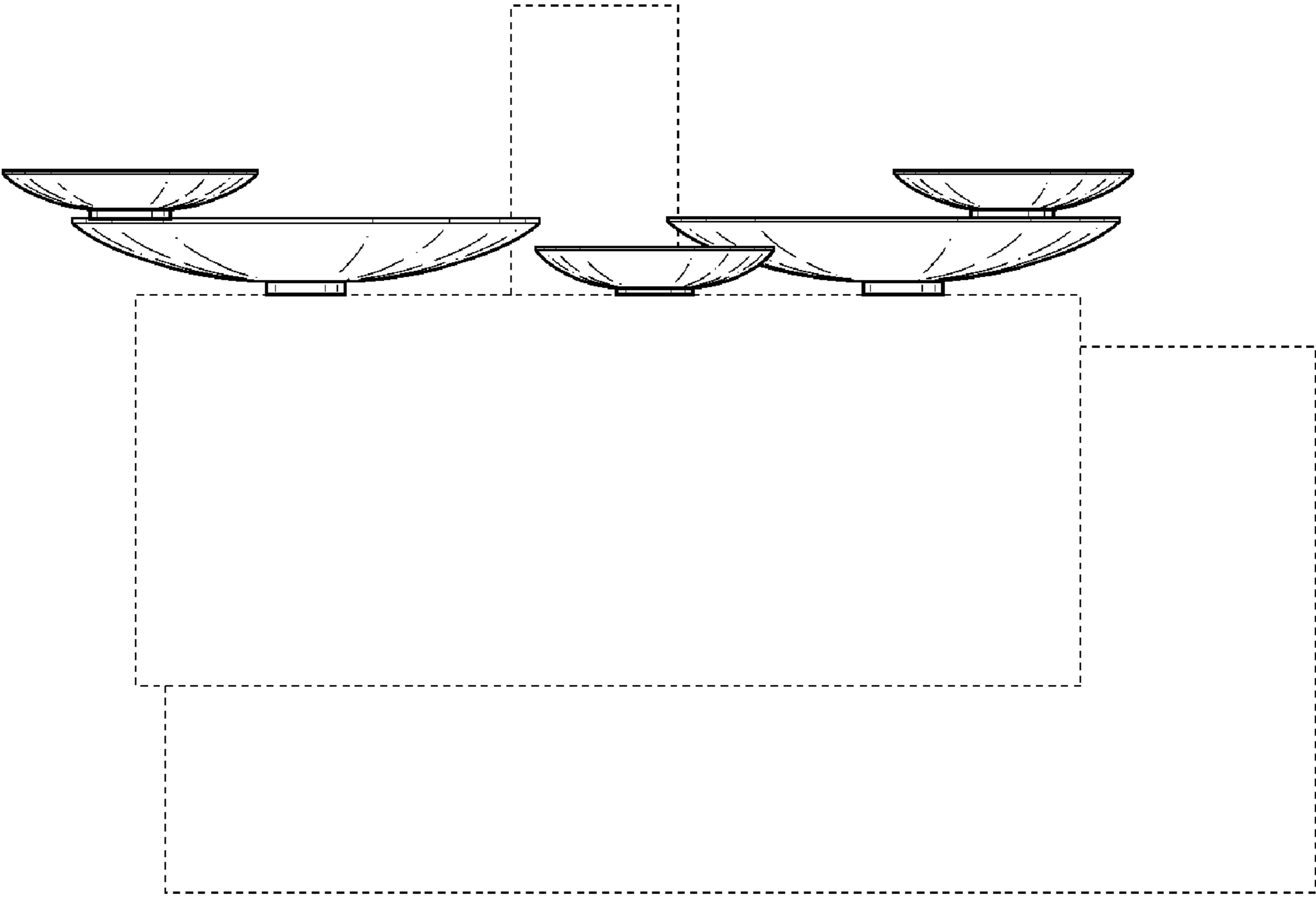


Fig. 2

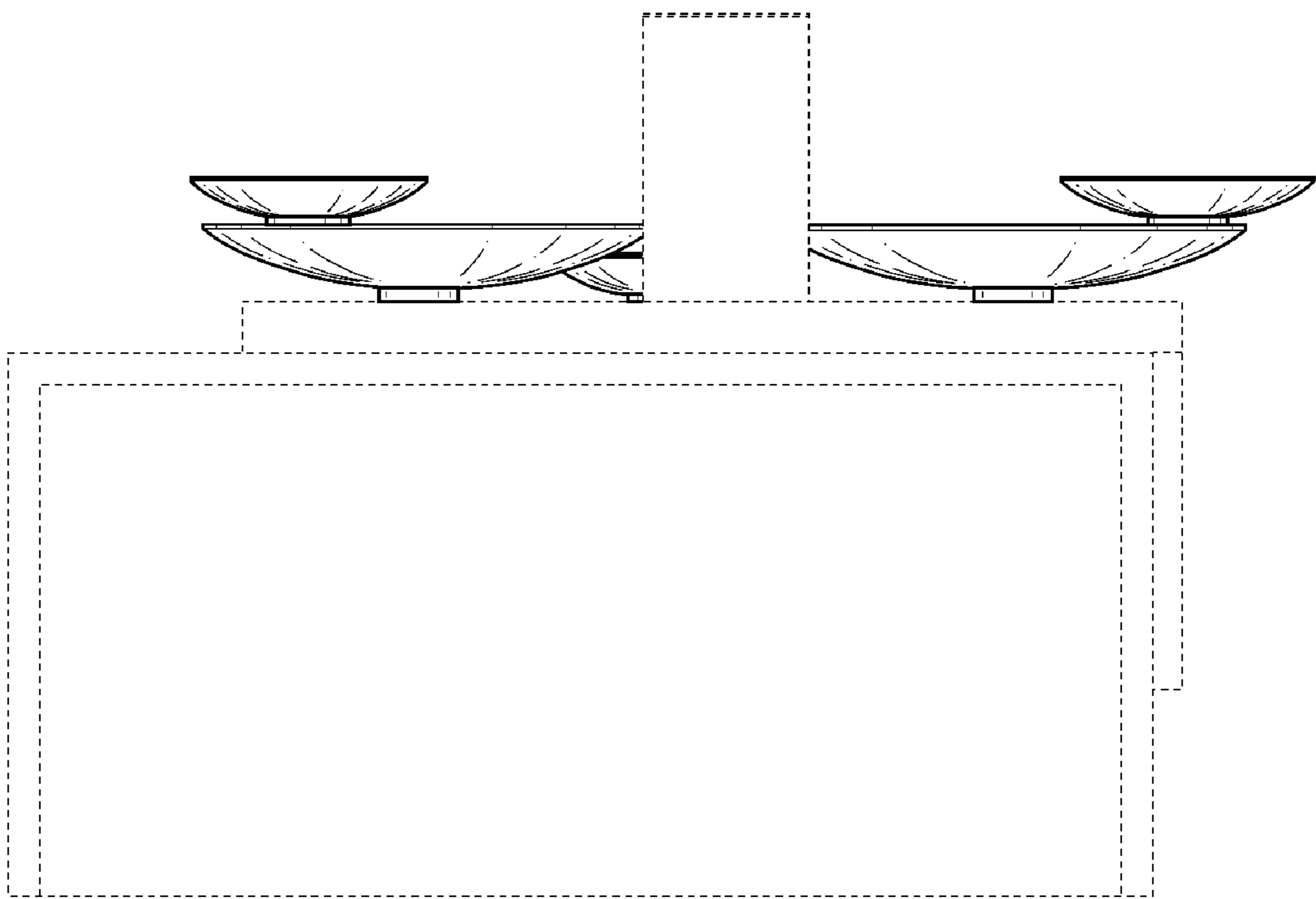


Fig. 3

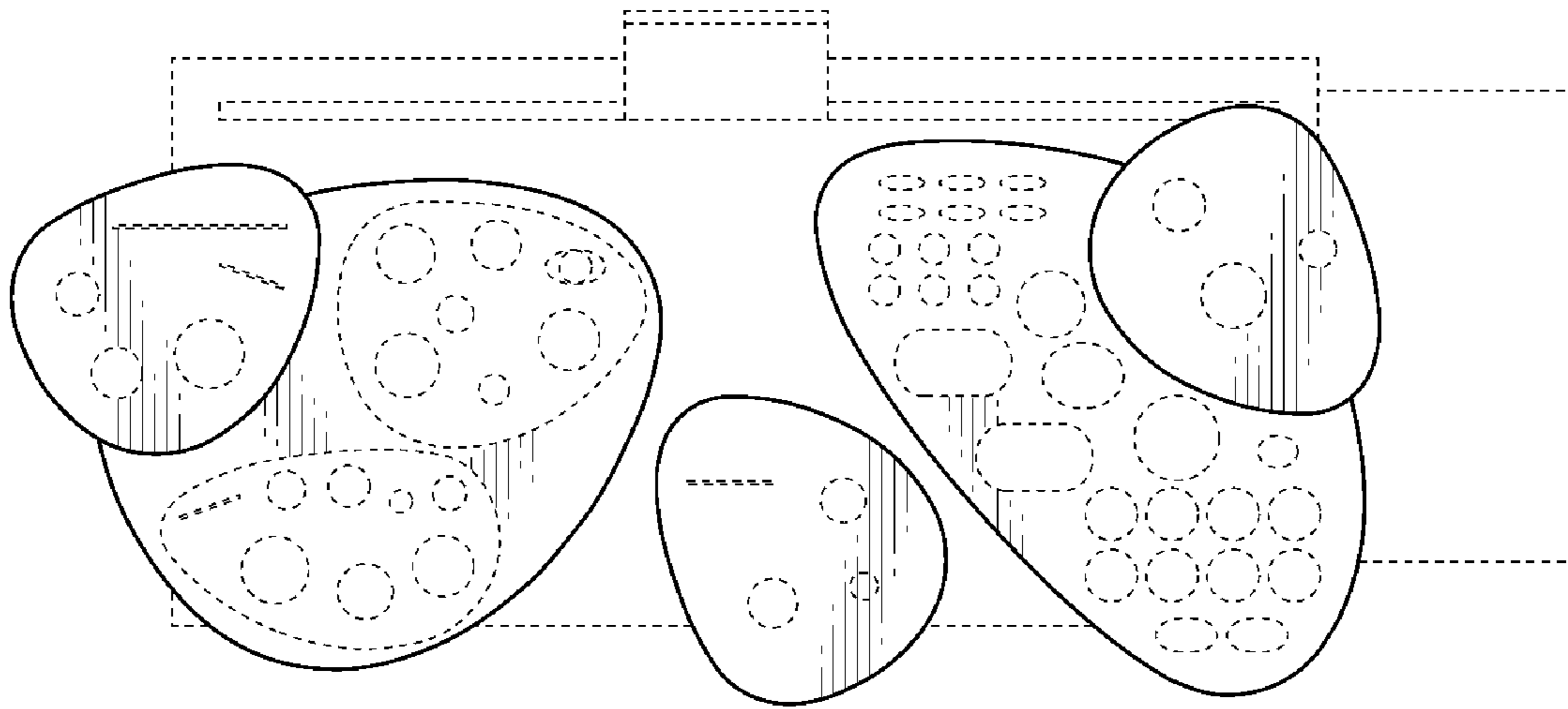


Fig. 4

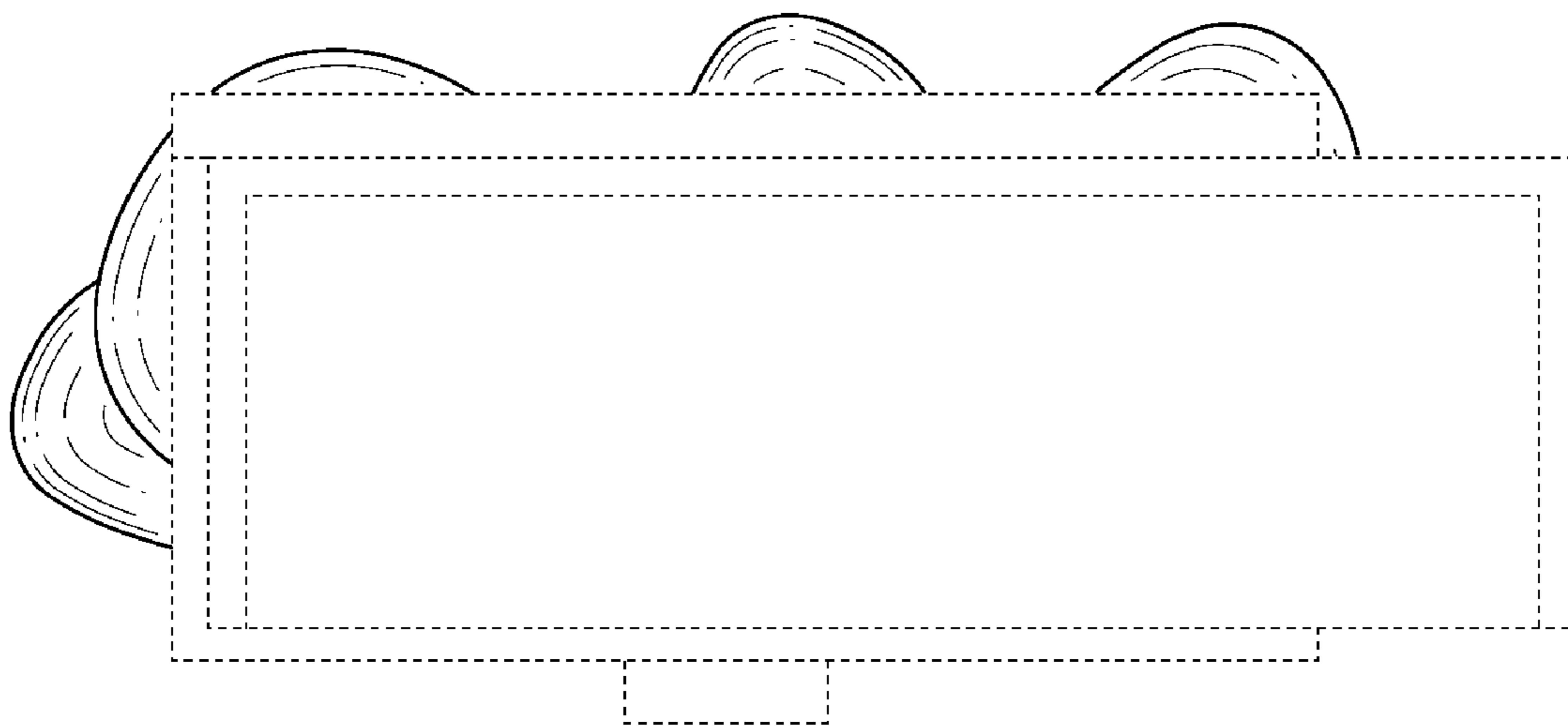


Fig. 5

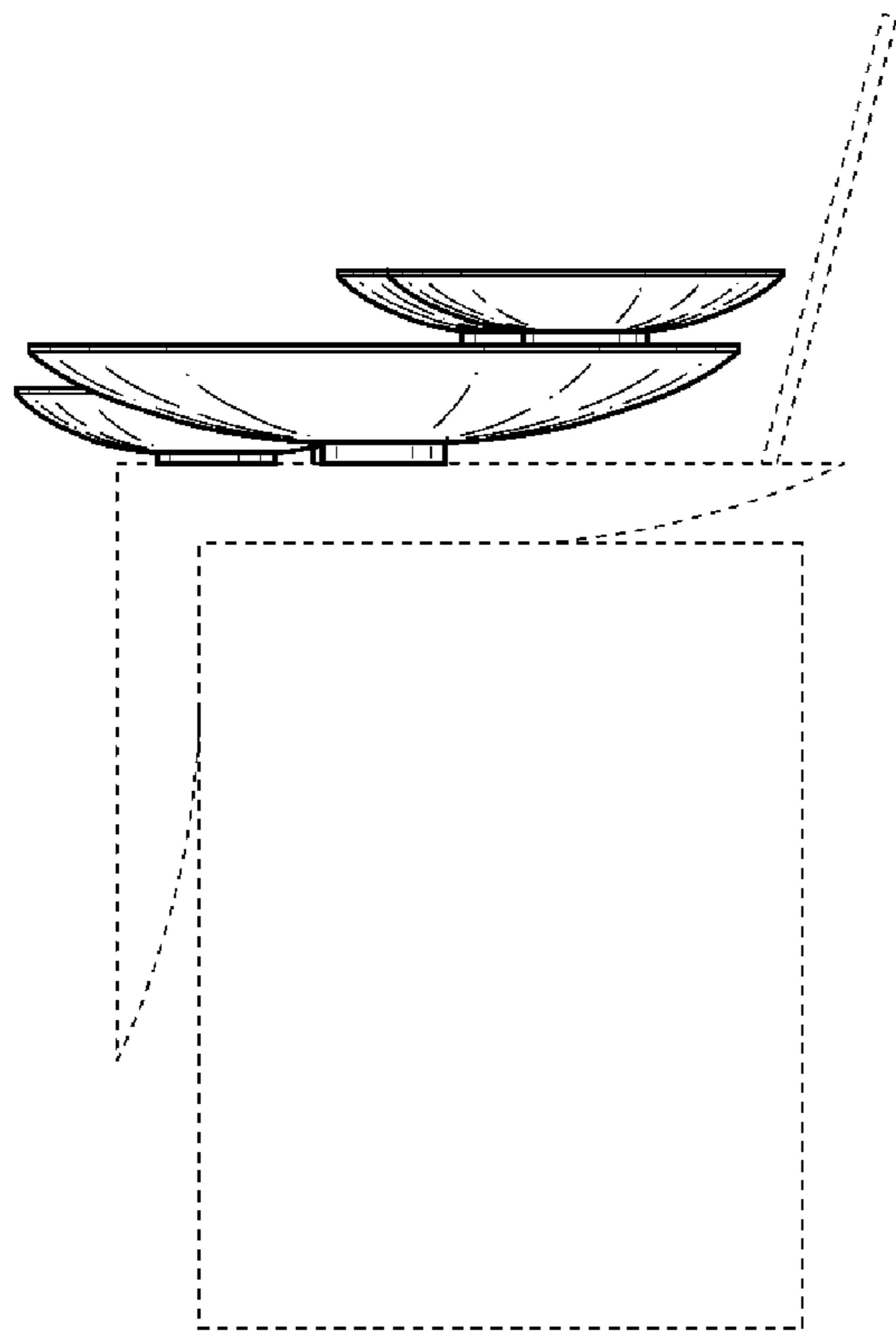


Fig. 6

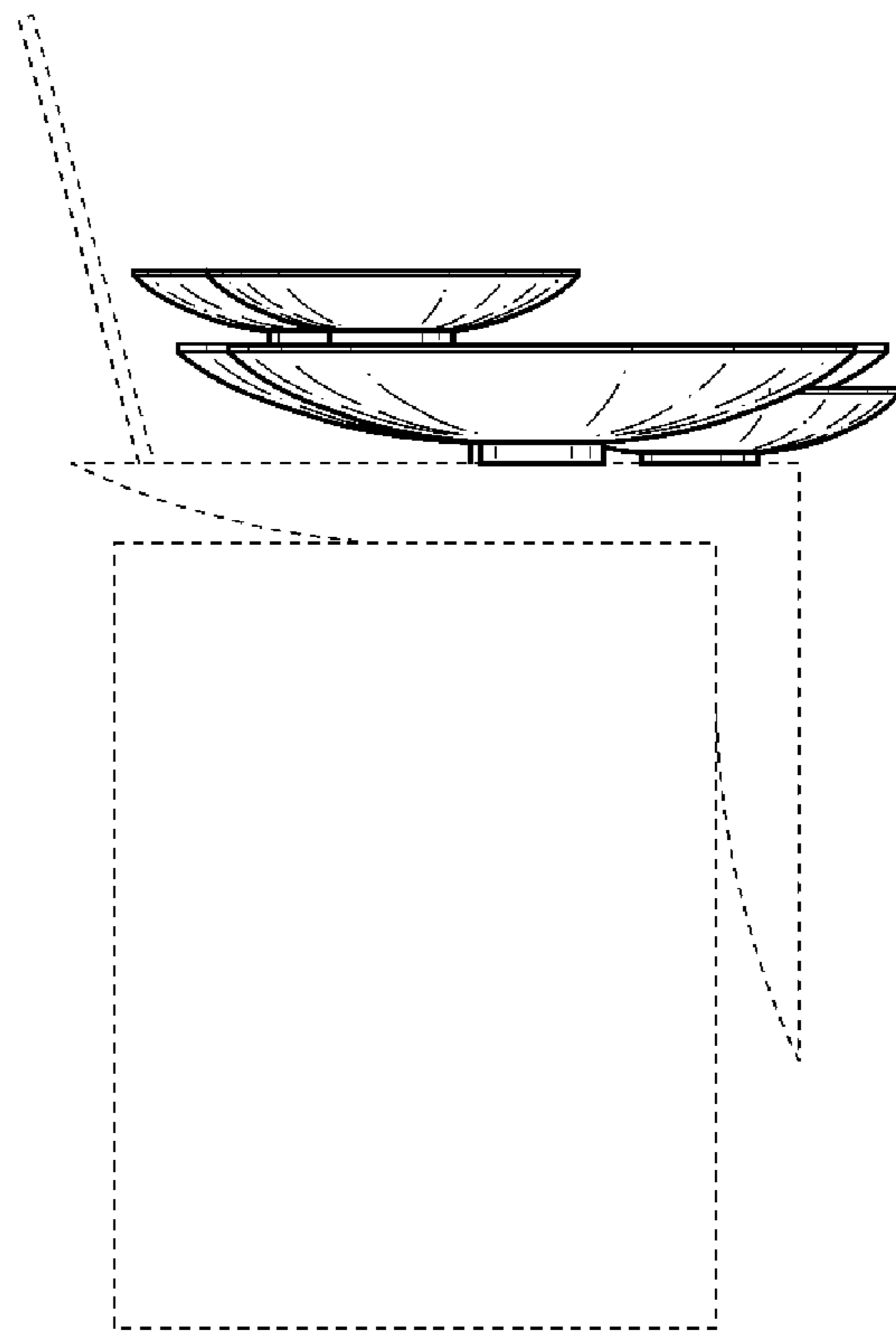


Fig. 7