



US00D604055S

(12) **United States Design Patent**
Plested et al.

(10) **Patent No.:** **US D604,055 S**

(45) **Date of Patent:** **** Nov. 17, 2009**

(54) **CHAIR**

(75) Inventors: **Nigel Plested**, London (GB); **Richard Shaw**, Lancashire (GB)

(73) Assignee: **Mamas & Papas (Holdings) Limited**, West Yorkshire (GB)

(**) Term: **14 Years**

(21) Appl. No.: **29/294,303**

(22) Filed: **Jan. 3, 2008**

(51) **LOC (9) Cl.** **06-01**

(52) **U.S. Cl.** **D6/333**

(58) **Field of Classification Search** D6/333,
D6/335, 339, 491, 500-502; D12/129; D21/412,
D21/419; 280/30, 31; 5/94, 98.1, 99.1, 101,
5/102, 105, 655; 297/183.1, 183.2, 183.3,
297/183.4, 184.13, 184.15, 184.17, 250.1,
297/255, 256.1, 256.15, 256.16

See application file for complete search history.

(56) **References Cited**

U.S. PATENT DOCUMENTS

2,586,262	A *	2/1952	Robins	5/120
2,848,040	A *	8/1958	Chernivsky	297/296
3,110,519	A *	11/1963	Chernivsky	297/285
3,235,306	A *	2/1966	Chernivsky	297/296
3,656,808	A *	4/1972	Chang	297/451.4
4,188,678	A *	2/1980	Rawolle	5/105
4,553,786	A *	11/1985	Lockett et al.	297/440.1
D282,791	S *	3/1986	Lockett et al.	D6/333
D297,685	S *	9/1988	Wilson	D6/348
D321,599	S *	11/1991	Takahashi et al.	D6/333
5,187,826	A *	2/1993	Mariol	5/655
D337,894	S *	8/1993	Mariol	D6/333
D343,958	S *	2/1994	Greenwood	D6/333
5,360,258	A *	11/1994	Alivizatos	297/440.11
5,460,430	A *	10/1995	Miga et al.	297/452.13

5,503,458	A *	4/1996	Petrie	297/452.13
5,694,655	A *	12/1997	Shepler et al.	5/105
D440,412	S *	4/2001	Huang	D6/333
D447,879	S *	9/2001	Hsia	D6/333
6,341,816	B1 *	1/2002	Chen et al.	297/16.1
6,378,940	B1 *	4/2002	Longoria et al.	297/217.3
D468,544	S *	1/2003	Myers	D6/334
6,592,425	B2 *	7/2003	Bapst et al.	446/227
6,594,840	B2 *	7/2003	Tomas et al.	5/655
D478,220	S *	8/2003	Chang	D6/348
6,616,237	B2 *	9/2003	Sonner et al.	297/440.22
6,629,727	B2 *	10/2003	Asbach et al.	297/188.21
D482,851	S *	12/2003	McClaskie	D2/956
6,739,649	B2 *	5/2004	Kelly et al.	297/16.1
6,851,745	B2 *	2/2005	nee Wilkins et al.	297/16.1
6,869,368	B1 *	3/2005	Clarke et al.	472/29
D560,374	S *	1/2008	Bergkvist	D6/333
2006/0181123	A1 *	8/2006	Gibree	297/250.1

* cited by examiner

Primary Examiner—Sandra Snapp

(74) *Attorney, Agent, or Firm*—Robert L. Epstein; Epstein Drangel Bazerman & James, LLP

(57) **CLAIM**

The ornamental design for a chair, substantially as shown and described.

DESCRIPTION

FIG. 1 is a perspective view of the chair;

FIG. 2 is a plan view of the top of the chair;

FIG. 3 is an elevation view of the front of the chair;

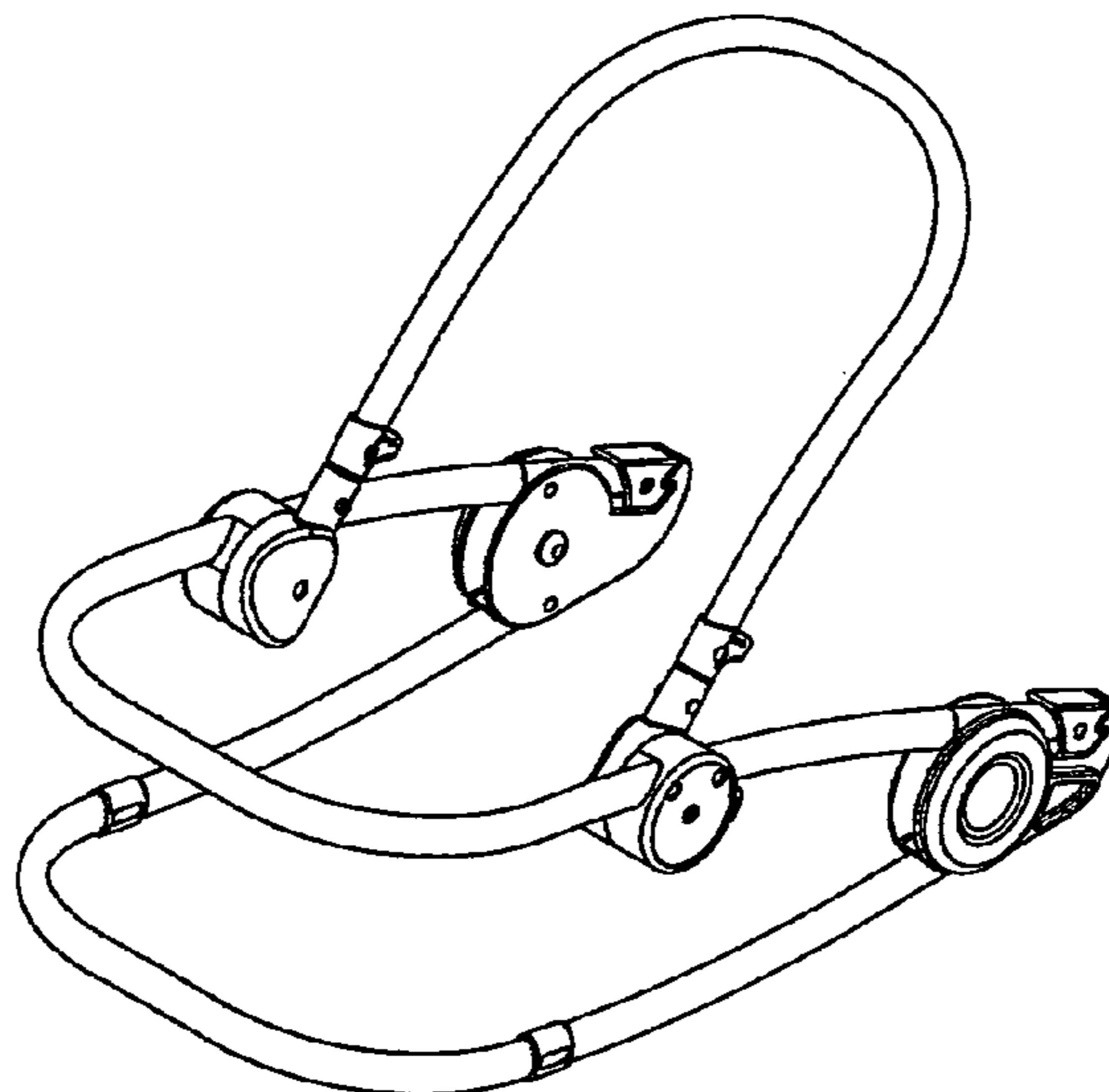
FIG. 4 is an elevation view of the one side of the chair;

FIG. 5 is an elevation view of the other side of the chair;

FIG. 6 is an elevation view of the rear of the chair; and,

FIG. 7 is a plan view of the bottom of the chair.

1 Claim, 2 Drawing Sheets



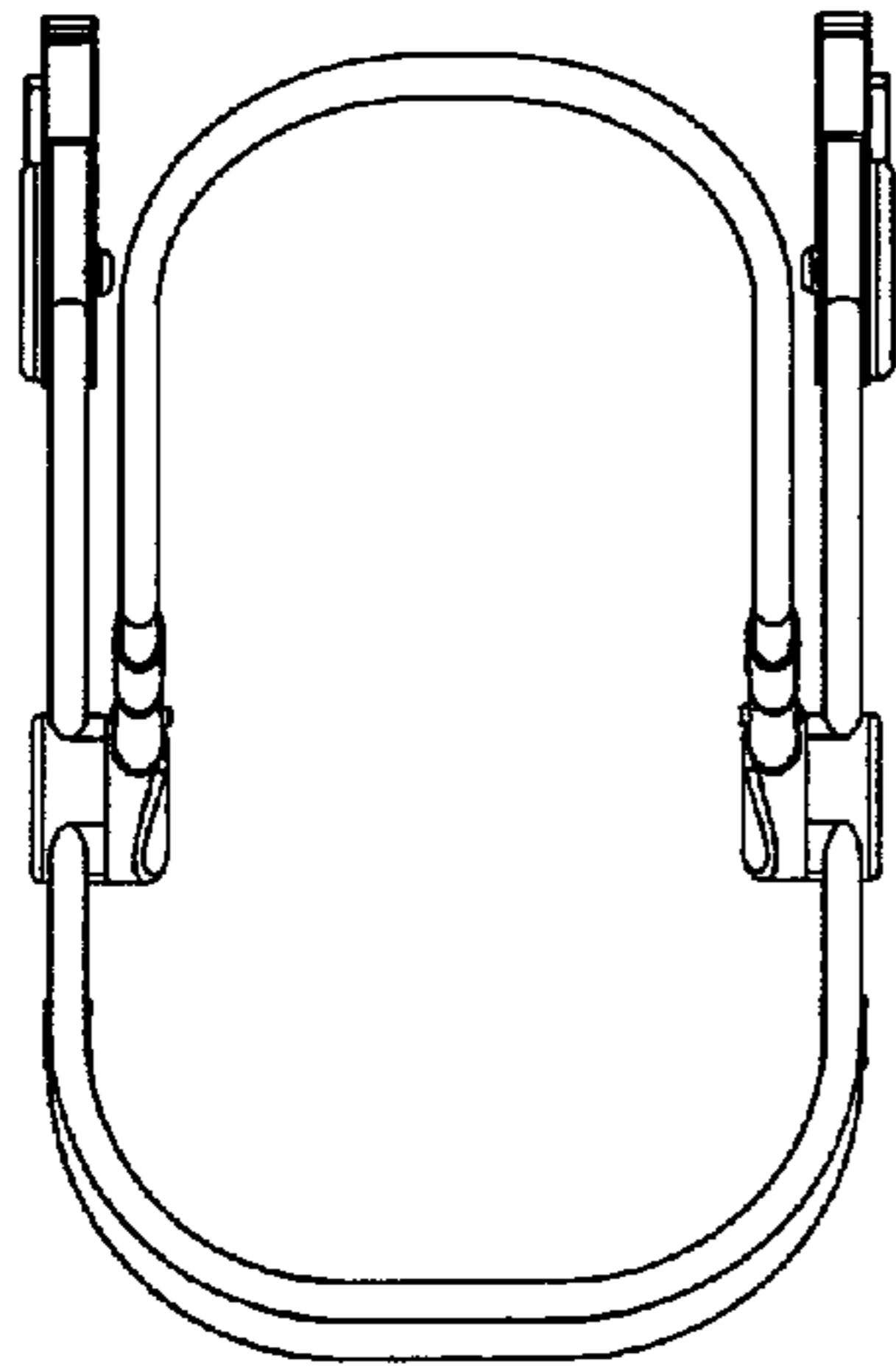


Figure 2

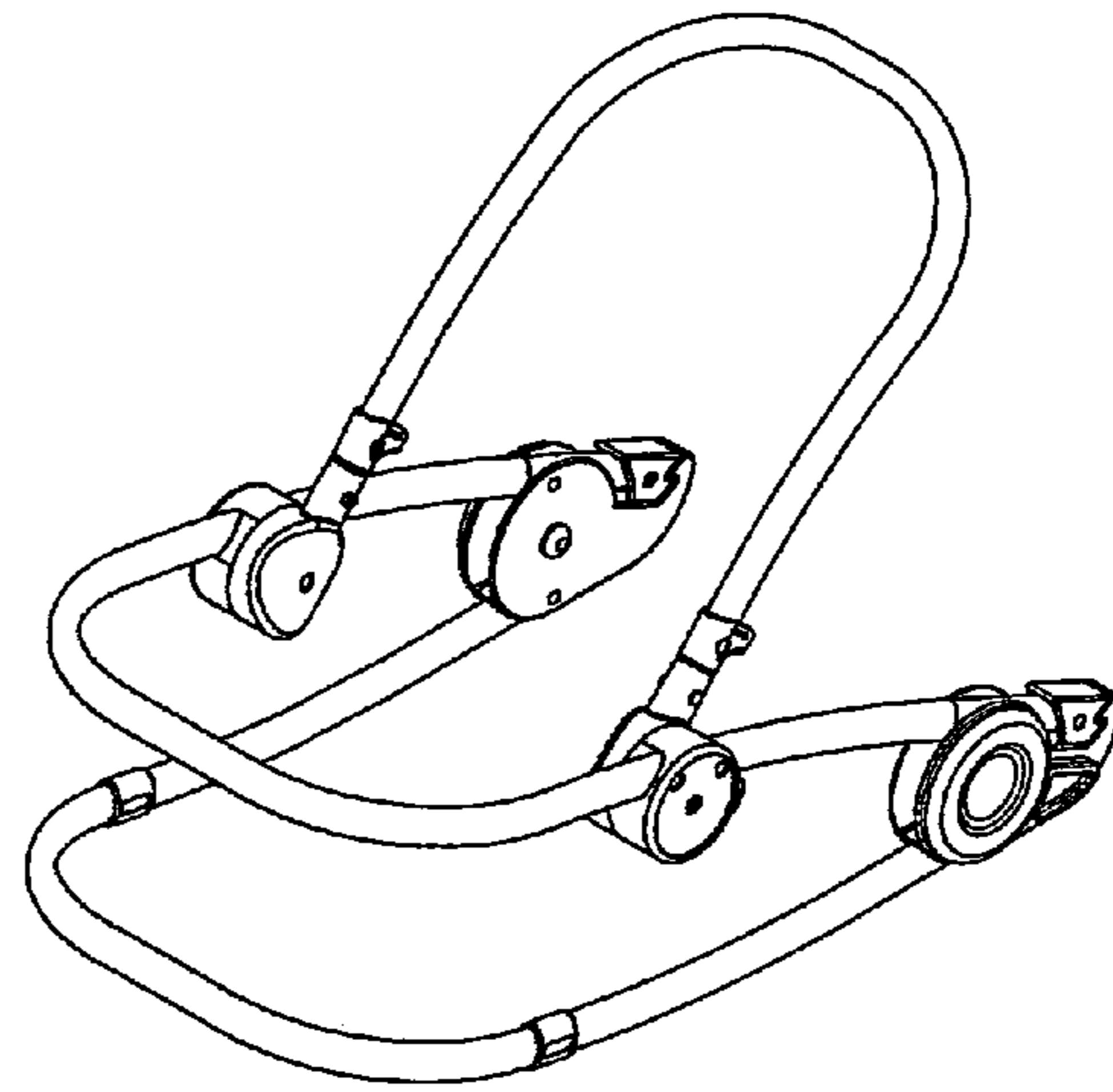


Figure 1

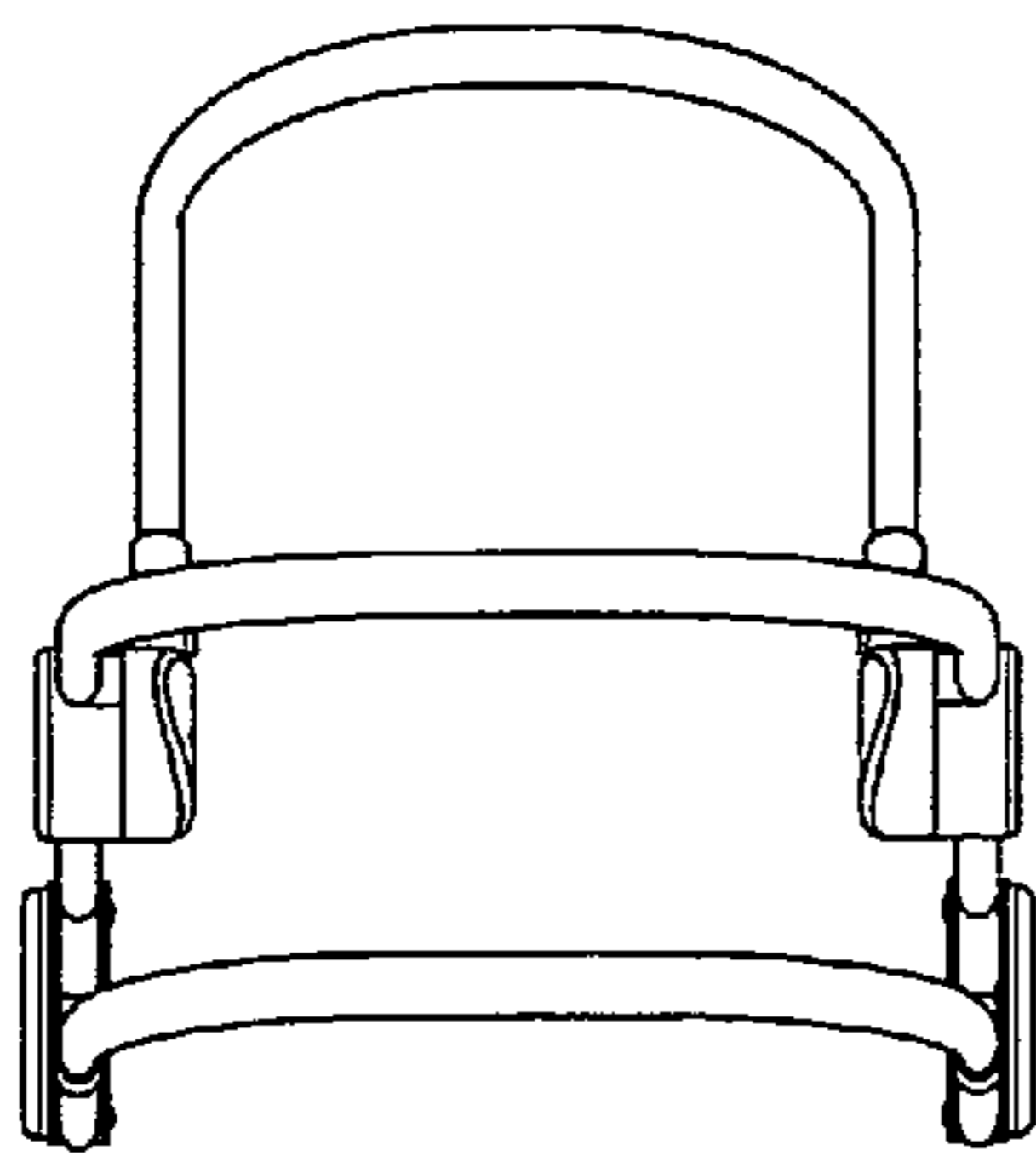


Figure 3

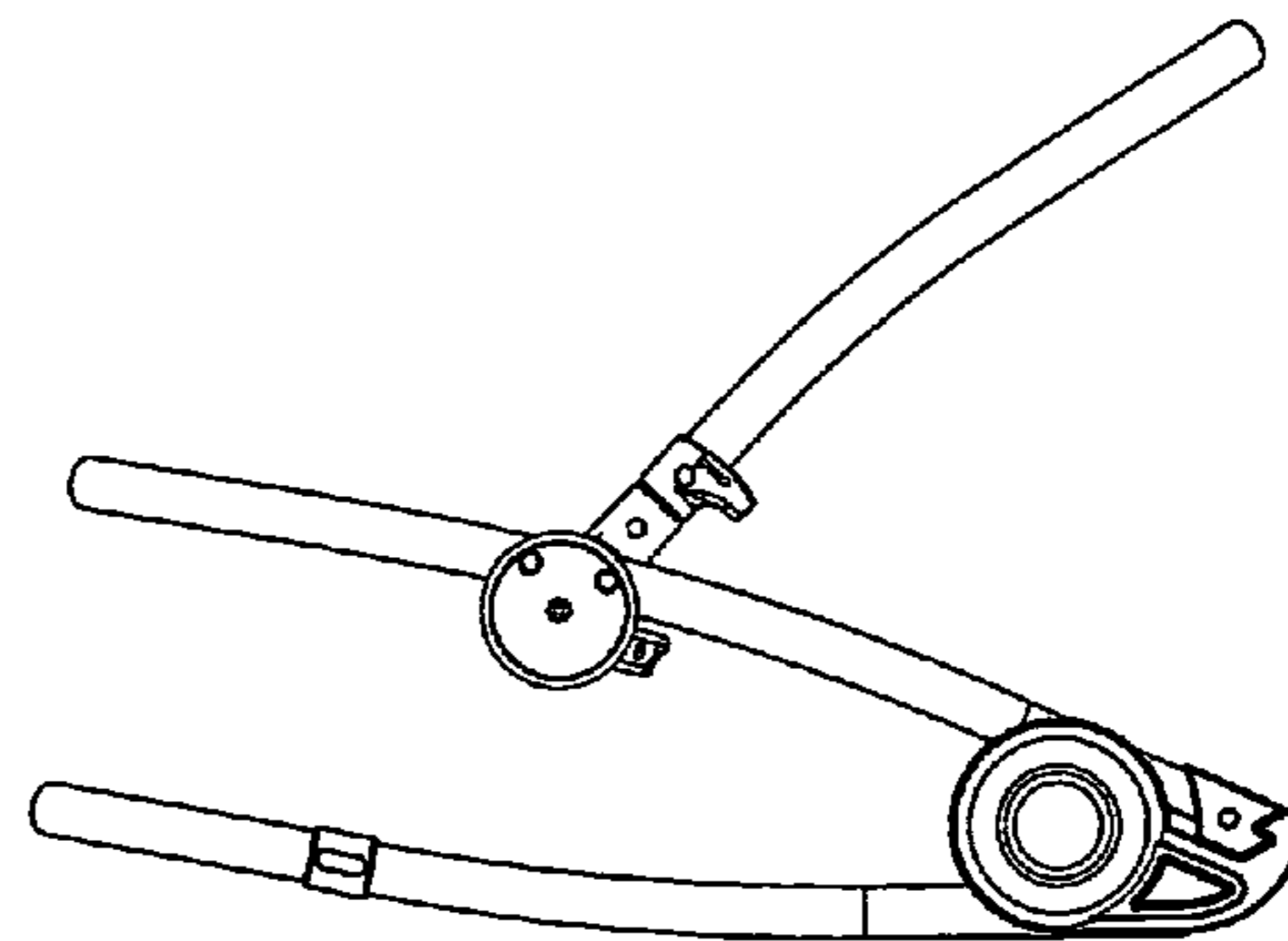


Figure 4

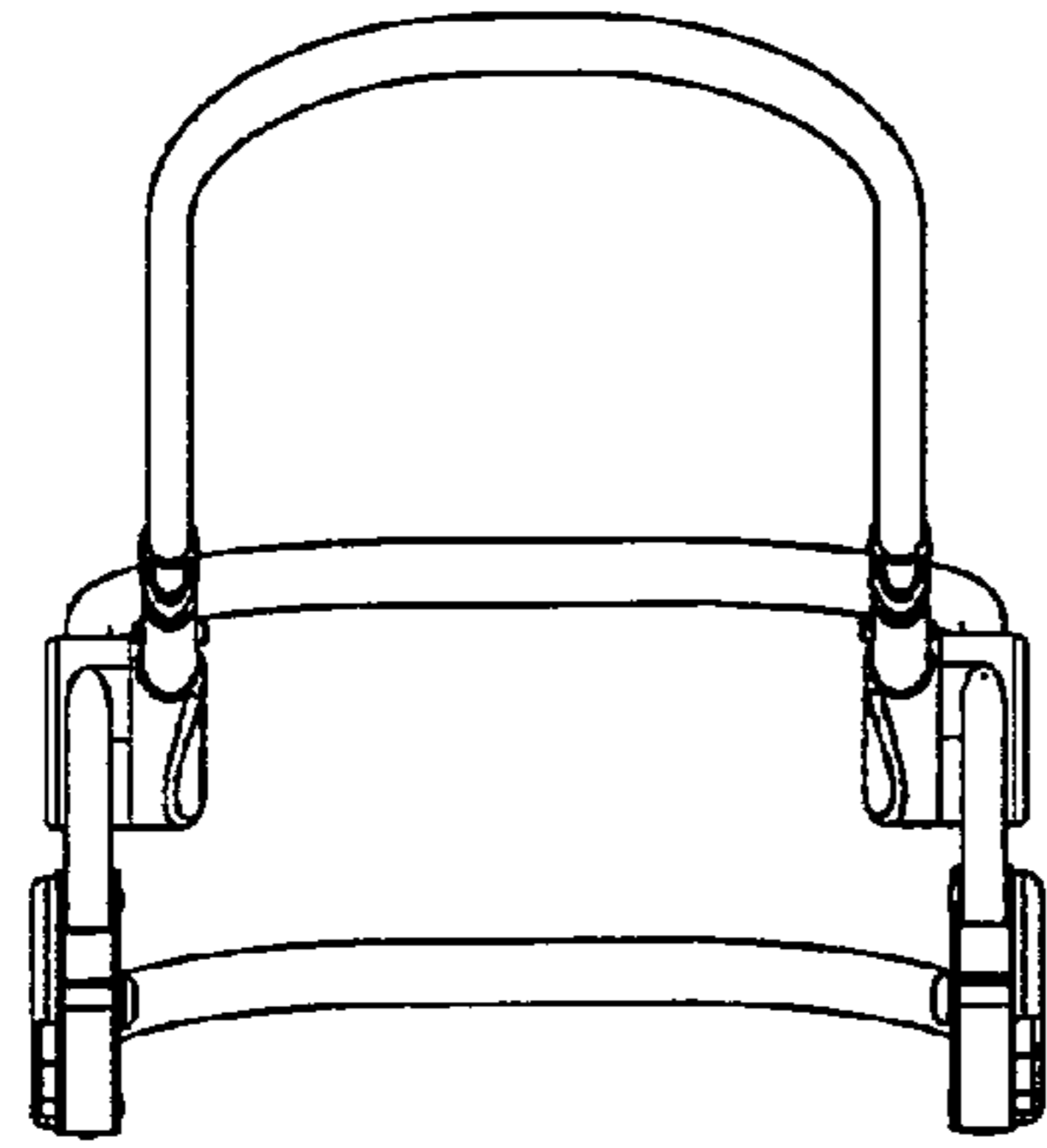


Figure 6

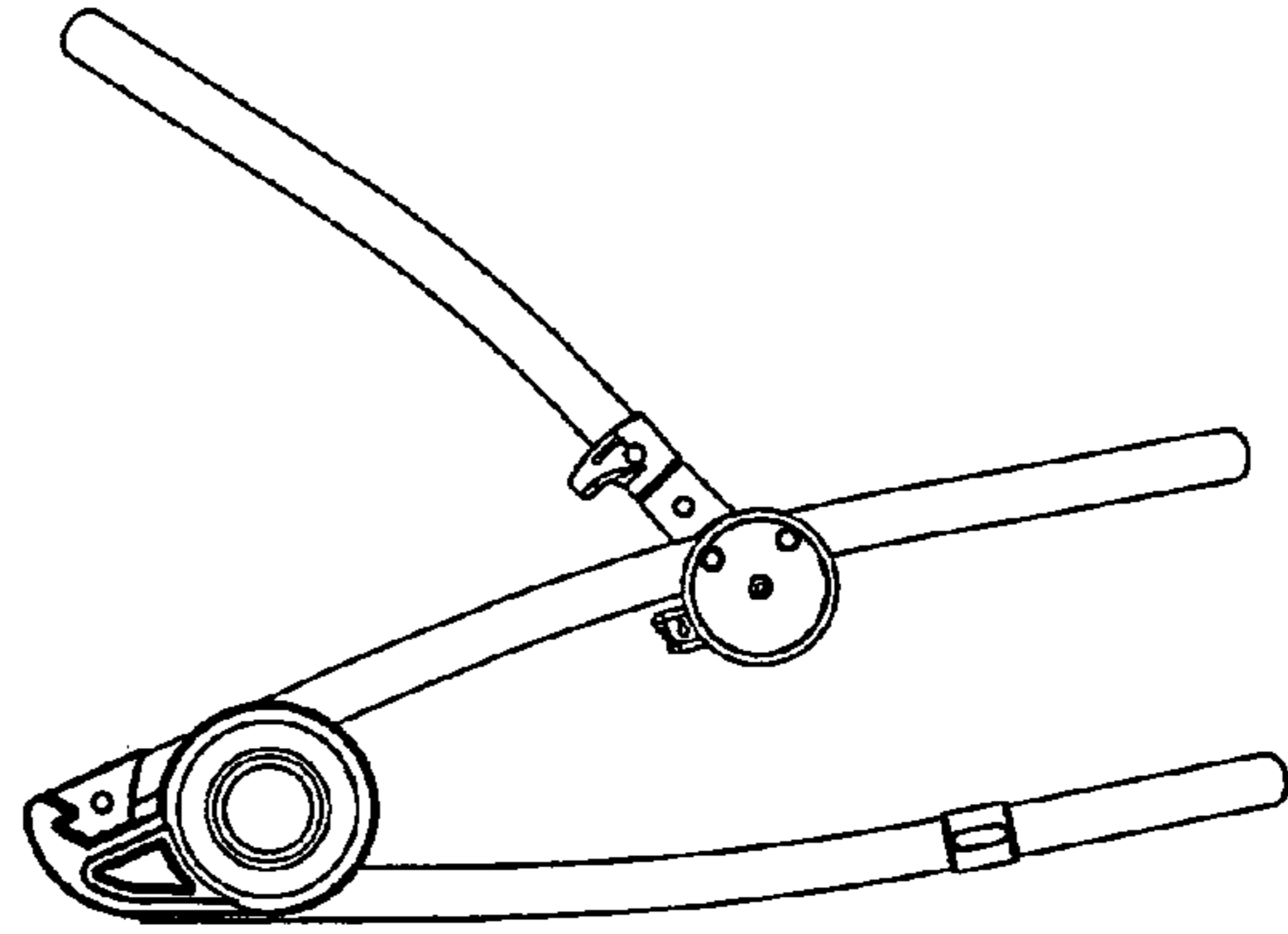


Figure 5

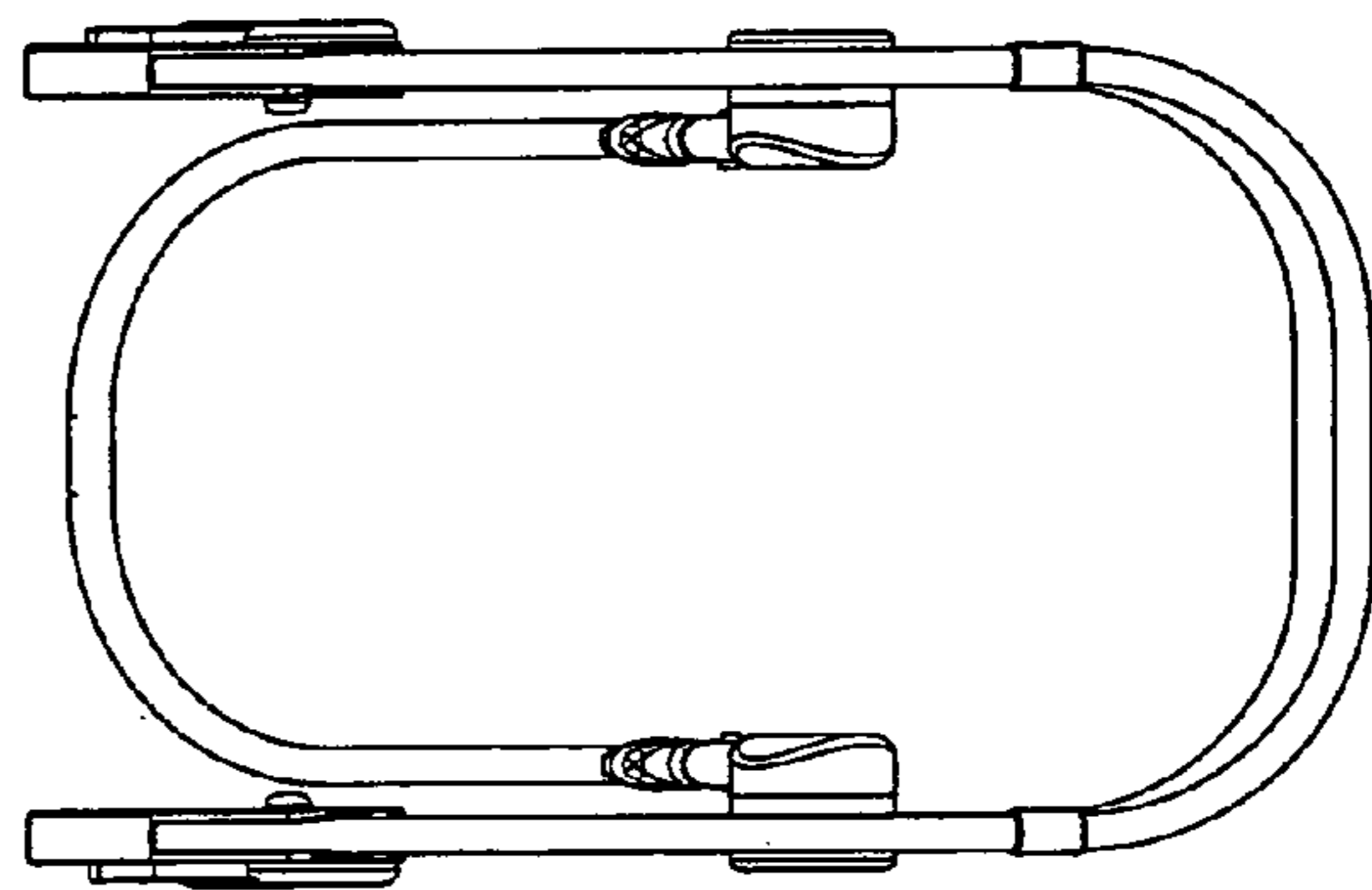


Figure 7