



US00D604050S

(12) **United States Design Patent**
Hale et al.

(10) **Patent No.:** **US D604,050 S**
(45) **Date of Patent:** **** Nov. 17, 2009**

(54) **COMBINED COSMETIC TUBE AND APPLICATOR DEVICE**

(76) Inventors: **Rebecca Hale**, 2676 Fairview Heights Ct., Rifle, CO (US) 81650; **Justin Hale**, 2676 Fairview Heights Ct., Rifle, CO (US) 81650

(**) Term: **14 Years**

(21) Appl. No.: **29/325,394**

(22) Filed: **Sep. 30, 2008**

(51) **LOC (9) Cl.** **04-02**

(52) **U.S. Cl.** **D4/116; D28/7**

(58) **Field of Classification Search** D4/108, D4/116, 121, 134, 137, 138; D28/7, 76, D28/77; 132/218, 286, 317, 318, 320; 206/581, 206/823; 401/18, 122, 118, 126, 127, 129; D9/503, 549

See application file for complete search history.

(56) **References Cited**

U.S. PATENT DOCUMENTS

3,262,461 A * 7/1966 Kambersky 401/122
3,964,643 A 6/1976 Morane et al.
4,903,838 A * 2/1990 Broers et al. 206/459.5
D311,787 S * 10/1990 Cassai et al. D28/77

D331,150 S 11/1992 Hartel
5,902,063 A * 5/1999 Lhuisset et al. 401/122
D445,953 S * 7/2001 Smith D28/7
6,655,388 B2 12/2003 Stevenson
7,287,923 B1 * 10/2007 Chen 401/18

FOREIGN PATENT DOCUMENTS

EP 237360 A2 * 9/1987

* cited by examiner

Primary Examiner—Melanie H Tung

Assistant Examiner—Lavone D Tabor

(74) *Attorney, Agent, or Firm*—Crossley Patent Law; Mark A. Crossley

(57) **CLAIM**

The ornamental design for a combined cosmetic tube and applicator device, as shown and described.

DESCRIPTION

FIG. 1 is a side elevation of a combined cosmetic tube and applicator device showing our new design;

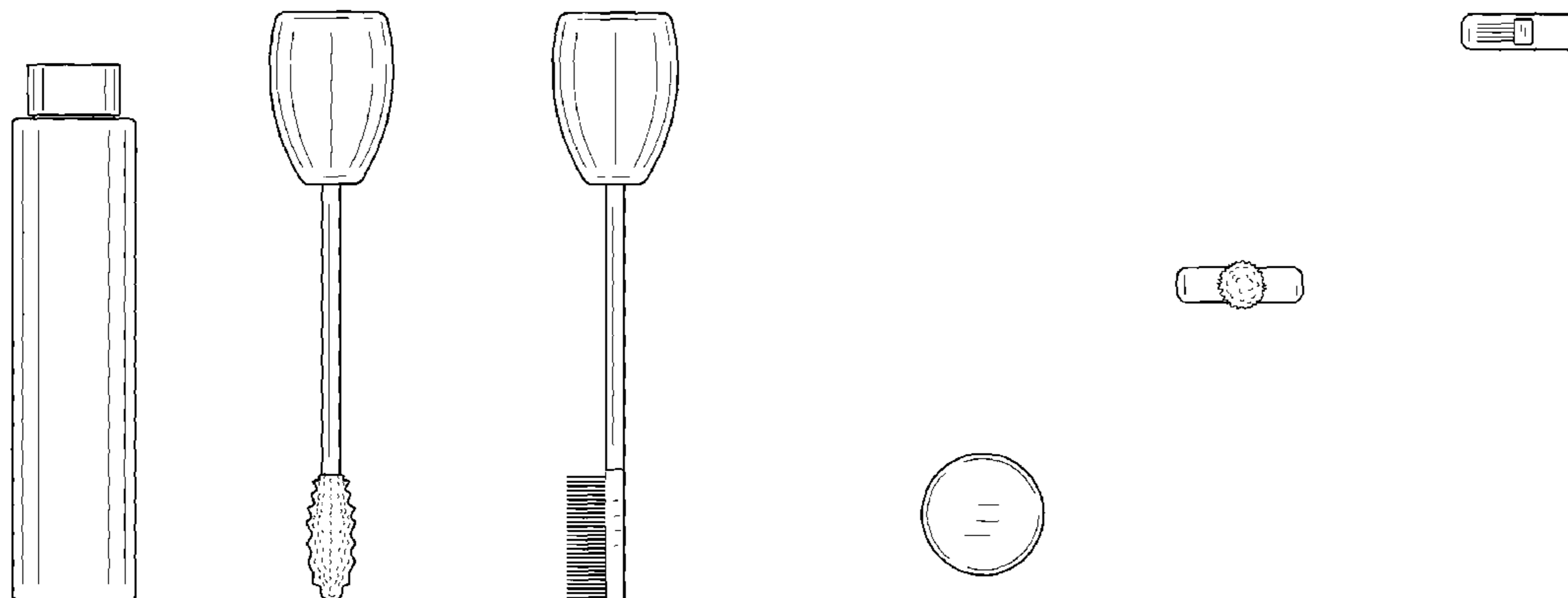
FIG. 2 is a front elevation view thereof;

FIG. 3 is a rear elevation view thereof;

FIG. 4 is an top plan view thereof; and,

FIG. 5 is a bottom plan view thereof.

1 Claim, 3 Drawing Sheets



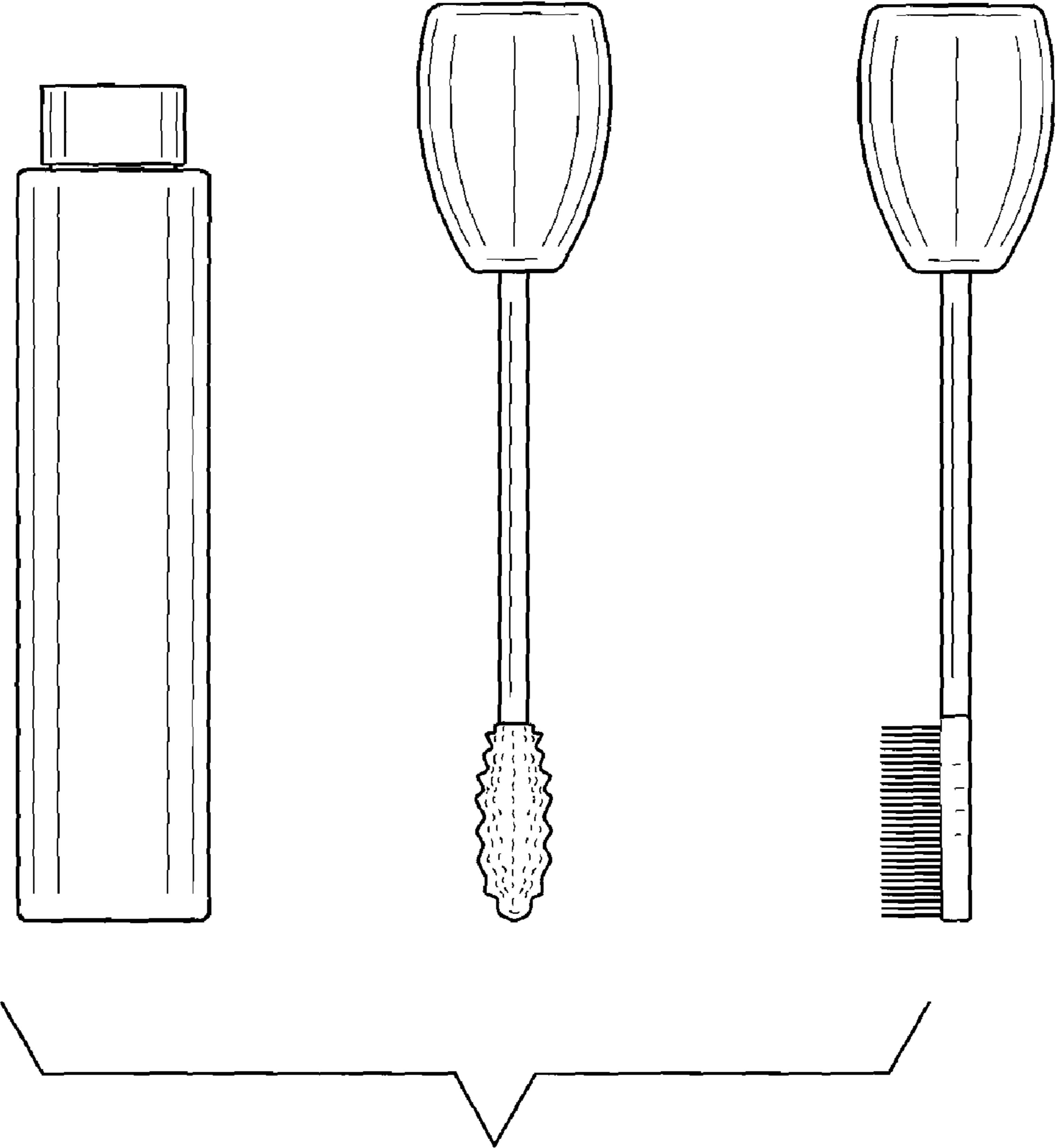
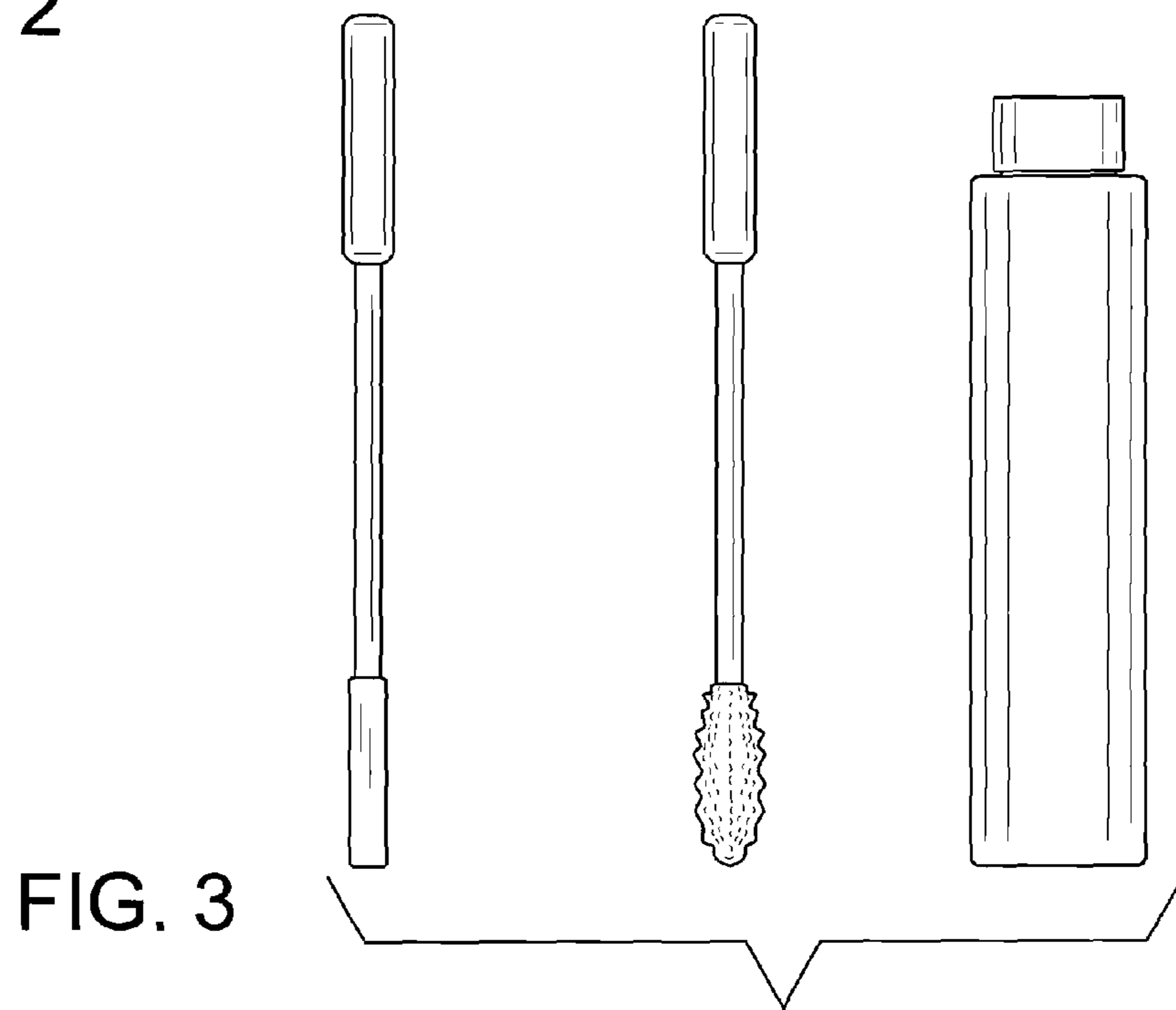
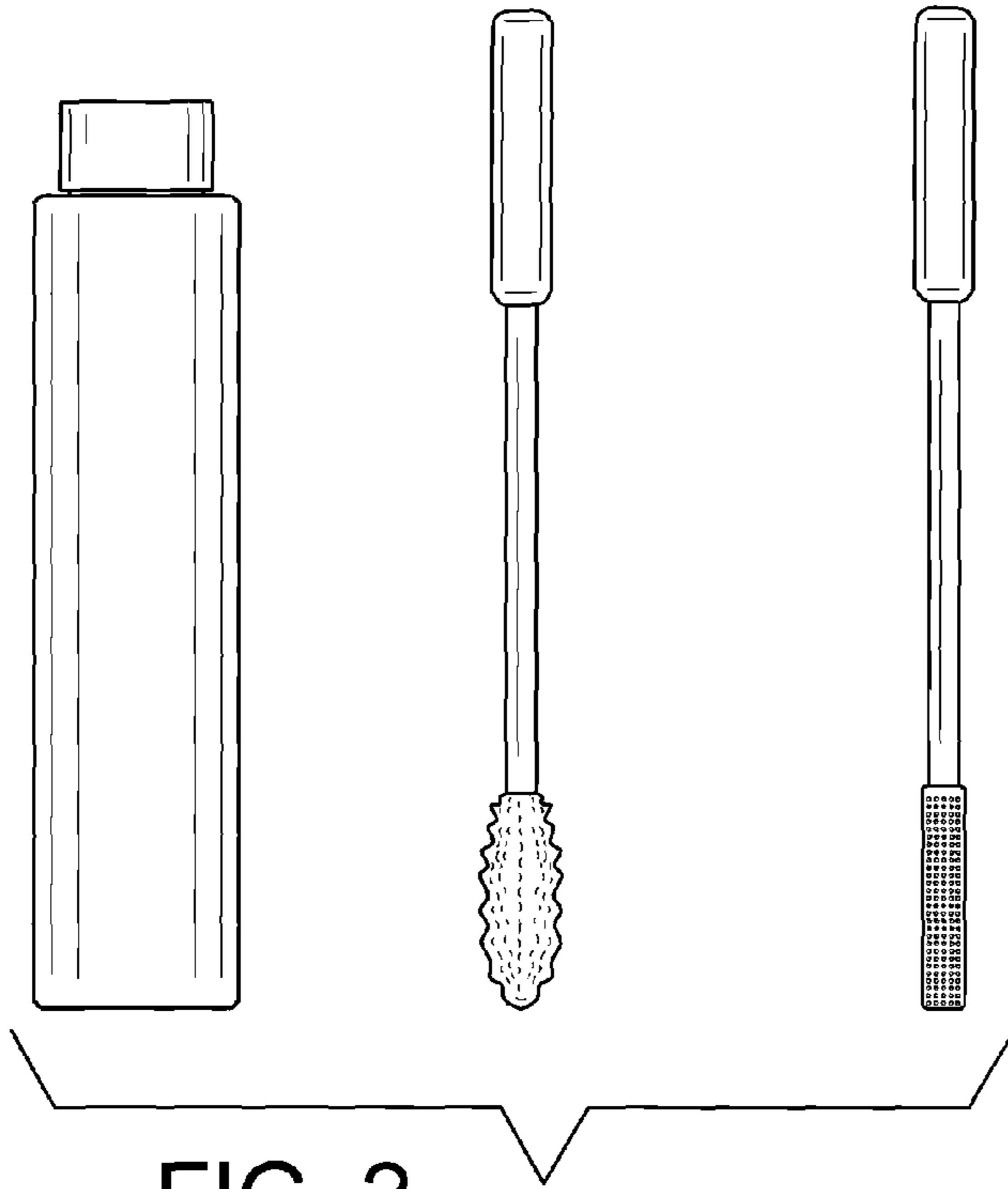


FIG. 1



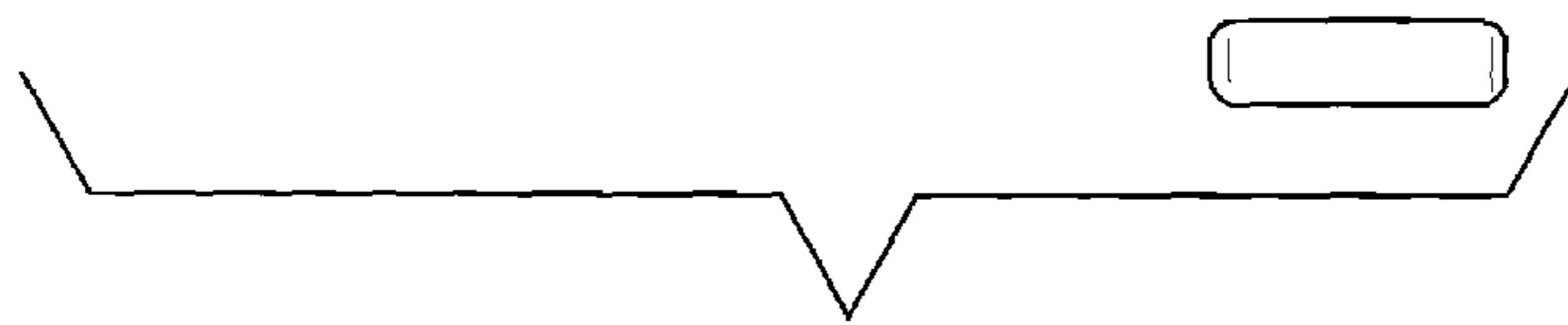
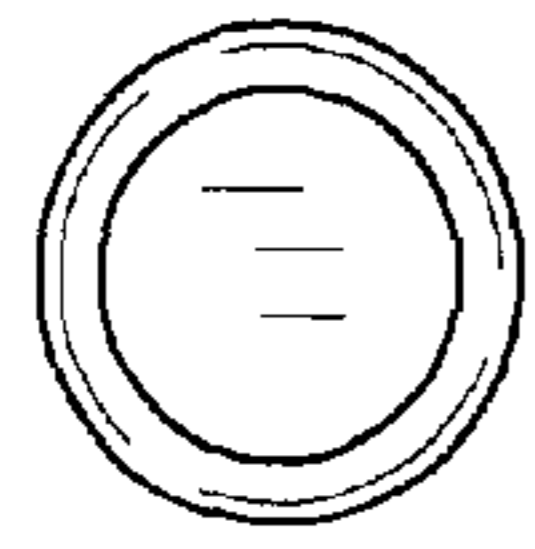


FIG. 4

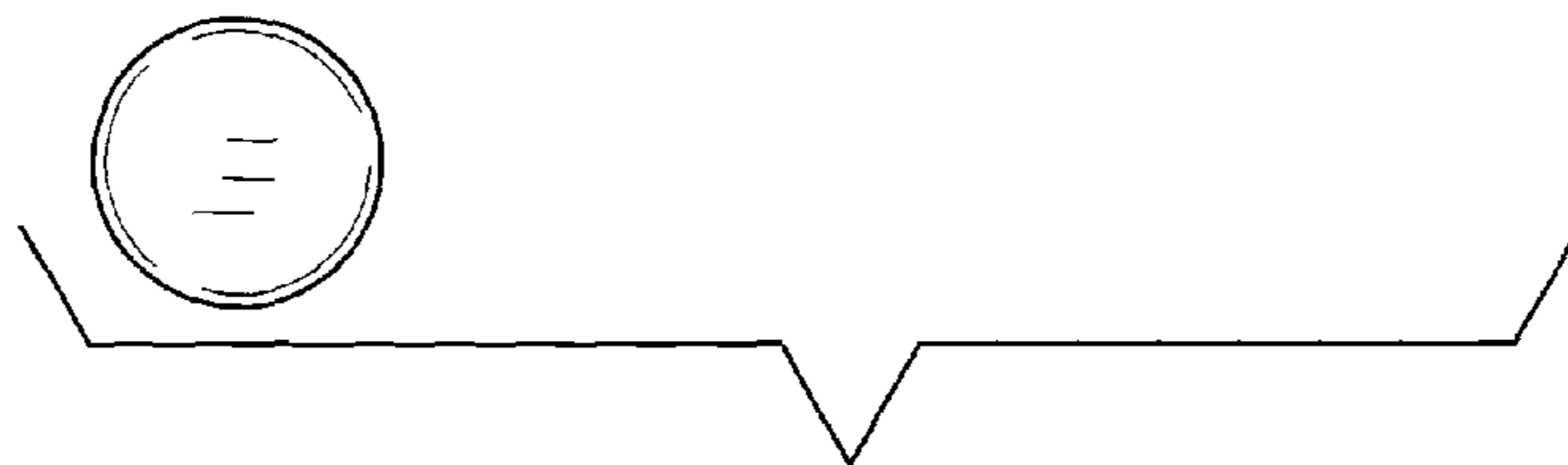
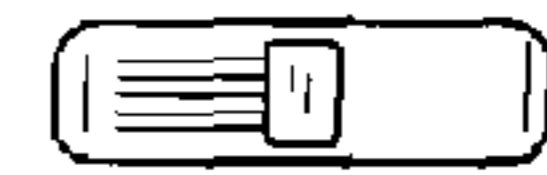


FIG. 5