



US00D604049S

(12) **United States Design Patent**
Chu et al.

(10) **Patent No.:** **US D604,049 S**

(45) **Date of Patent:** **** Nov. 17, 2009**

(54) **BRIEFCASE**

(75) Inventors: **David Ching Chi Chu**, New York, NY (US); **Peter Chang-Lin Wu**, Franklin Park, NJ (US)

(73) Assignee: **Tumi, Inc.**, South Plainfield, NJ (US)

(**) Term: **14 Years**

(21) Appl. No.: **29/322,337**

(22) Filed: **Aug. 1, 2008**

(51) **LOC (9) Cl.** **03-01**

(52) **U.S. Cl.** **D3/321; D3/326**

(58) **Field of Classification Search** D3/243,
D3/233, 276, 287, 290, 318-319, 326, 900;
190/900, 902

See application file for complete search history.

(56) **References Cited**

U.S. PATENT DOCUMENTS

1,370,636	A *	3/1921	Dwyer	383/13
1,702,279	A *	2/1929	Slomka	206/214
2,308,003	A *	1/1943	Gamrod	294/139
D249,824	S *	10/1978	Koszegi	D3/268
D250,793	S *	1/1979	Siegel	D3/243
D268,304	S *	3/1983	Schimmel	D3/233
D302,211	S *	7/1989	Sears	D3/283
D360,075	S *	7/1995	Cross et al.	D3/276
D368,370	S *	4/1996	Tawil	D3/276
D372,795	S *	8/1996	Swinford et al.	D3/243
D399,057	S *	10/1998	Akutsu	D3/290
D401,063	S *	11/1998	Yamamoto et al.	D3/287
D469,252	S *	1/2003	Su	D3/289
D469,605	S *	2/2003	Vernon et al.	D3/287
D469,606	S *	2/2003	Su	D3/290
D483,563	S *	12/2003	Dwight et al.	D3/243
6,802,348	B2 *	10/2004	Vernon et al.	150/111
D522,749	S *	6/2006	Tortorella et al.	D3/299
D535,100	S *	1/2007	Suppancig	D3/283

D537,626	S *	3/2007	Ghesquiere	D3/243
D548,967	S *	8/2007	Bell	D3/287
D552,350	S *	10/2007	Bosley	D3/290
D552,849	S *	10/2007	Bosley	D3/290
2004/0066366	A1 *	4/2004	Jung et al.	345/156
2005/0040639	A1 *	2/2005	Deadwyler	281/15.1

OTHER PUBLICATIONS

Photographs of various luggage samples from Jun. 2007.
Luggage photographs alleged by Jack Georges to be from 1997 and 1998.

Schlesinger luggage photographs from a 1993 catalog.

Dakota Adventure luggage from a 1998 catalog.

* cited by examiner

Primary Examiner—Philip S. Hyder

Assistant Examiner—Roselyne Cody

(74) *Attorney, Agent, or Firm*—Baker Botts L.L.P.

(57) **CLAIM**

The ornamental design for a briefcase, as shown and described.

DESCRIPTION

FIG. 1 is a perspective view of an embodiment of the briefcase.

FIG. 2 is front view of the briefcase of FIG. 1.

FIG. 3 is a rear view of the briefcase of FIG. 1.

FIG. 4 is left side view of the briefcase of FIG. 1.

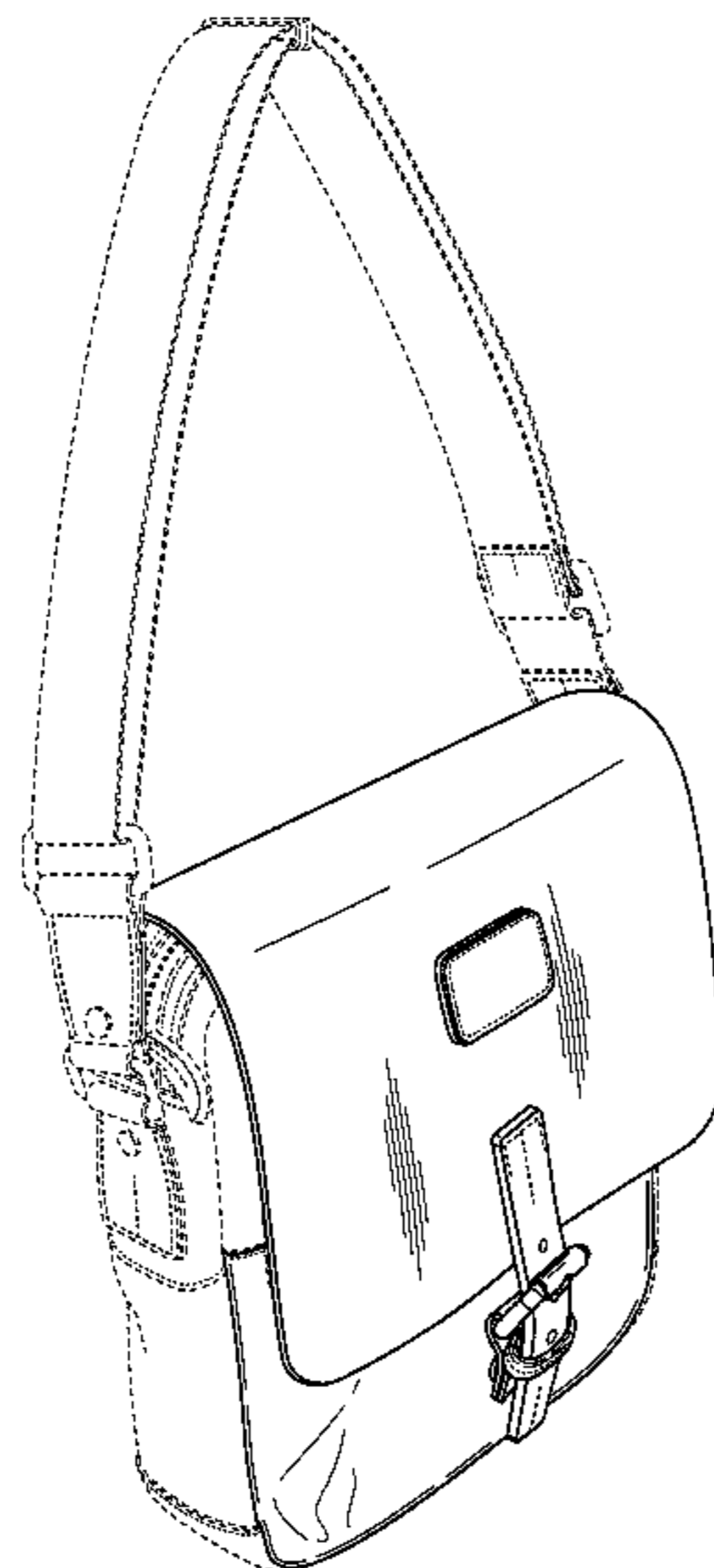
FIG. 5 is right side view of the briefcase of FIG. 1.

FIG. 6 is a top view of the briefcase of FIG. 1; and,

FIG. 7 is a bottom view of the briefcase of FIG. 1.

The broken lines on the strap and logo patch indicate stitching and are part of the claimed design. All other broken lines in the figures are illustrative of environment and form no part of the claimed design.

1 Claim, 5 Drawing Sheets



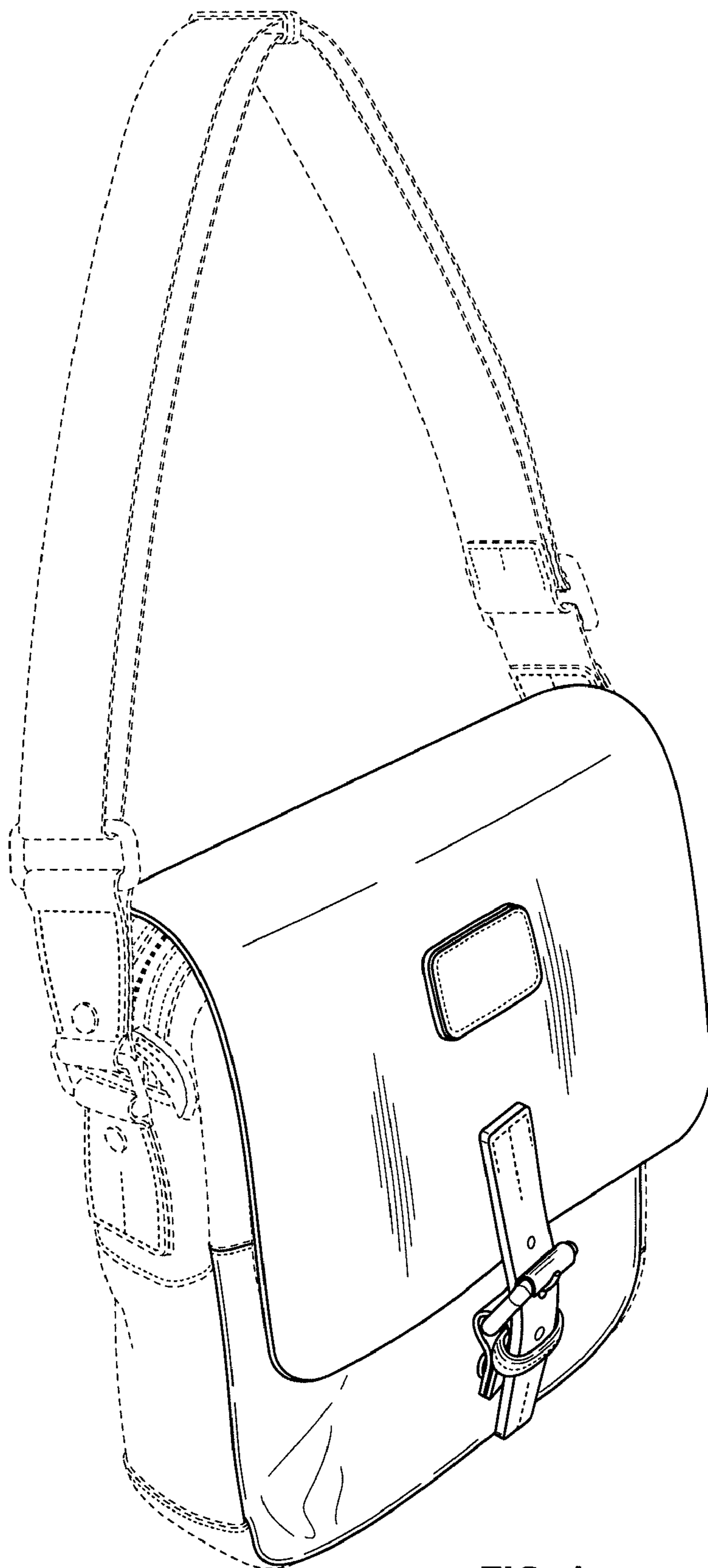


FIG. 1

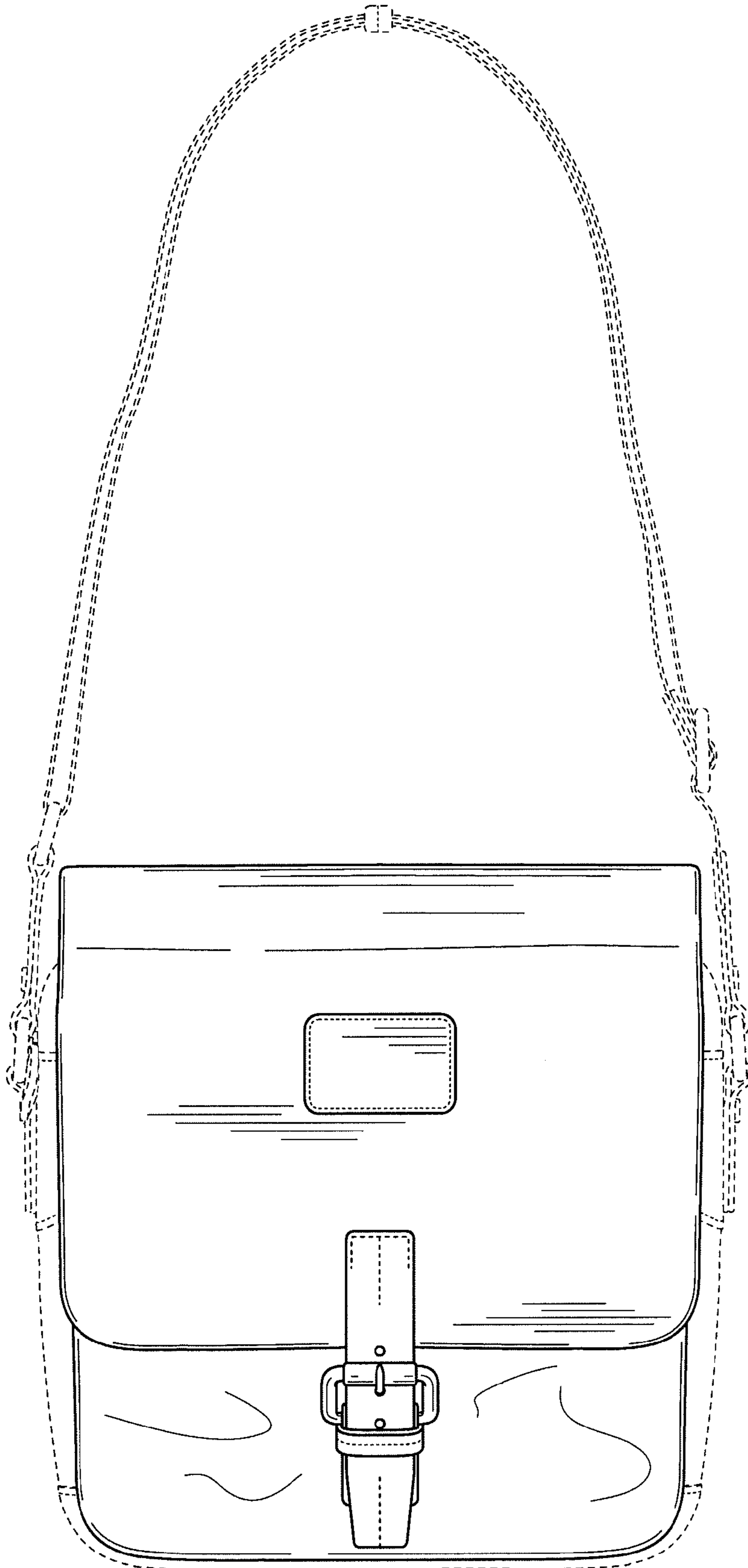


FIG. 2

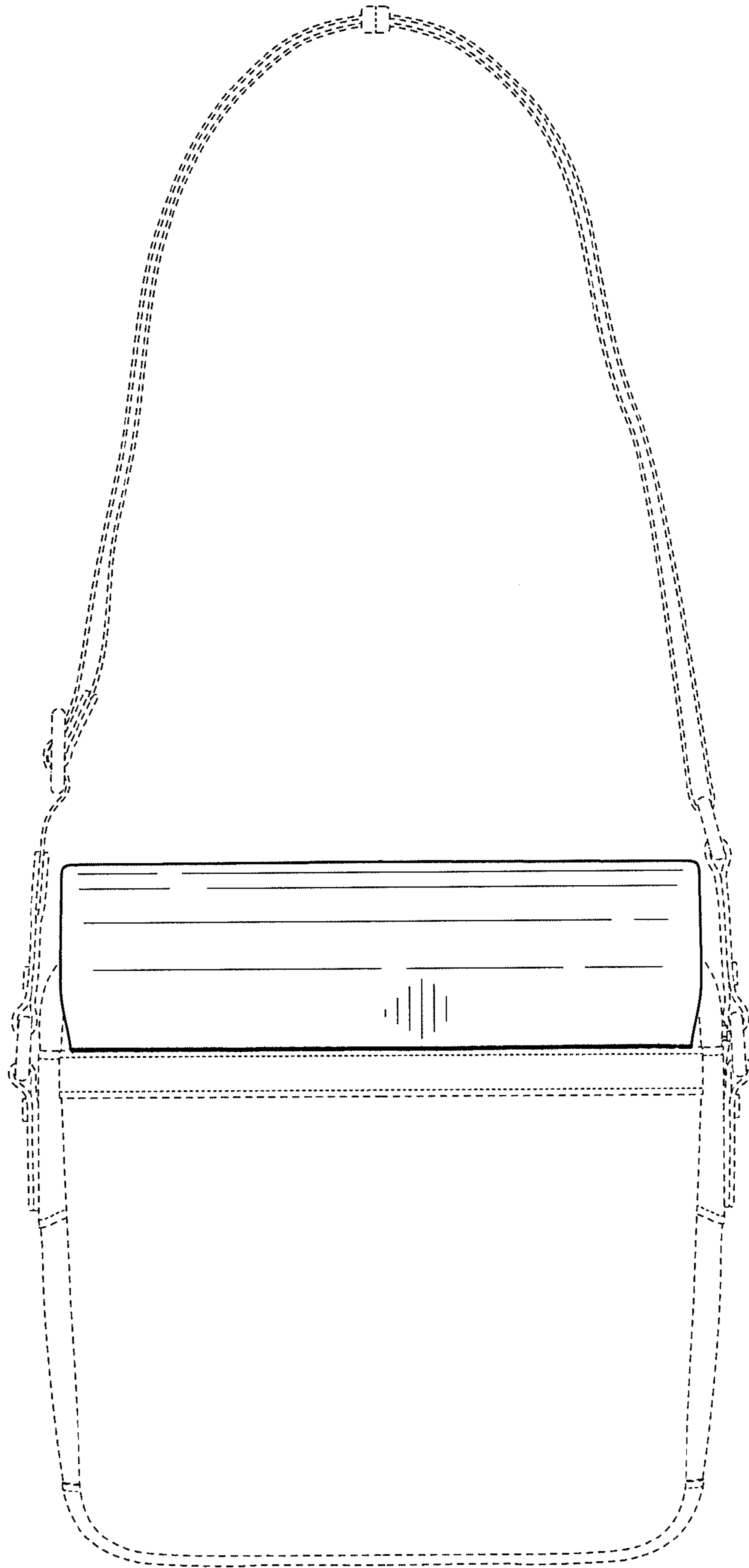


FIG. 3

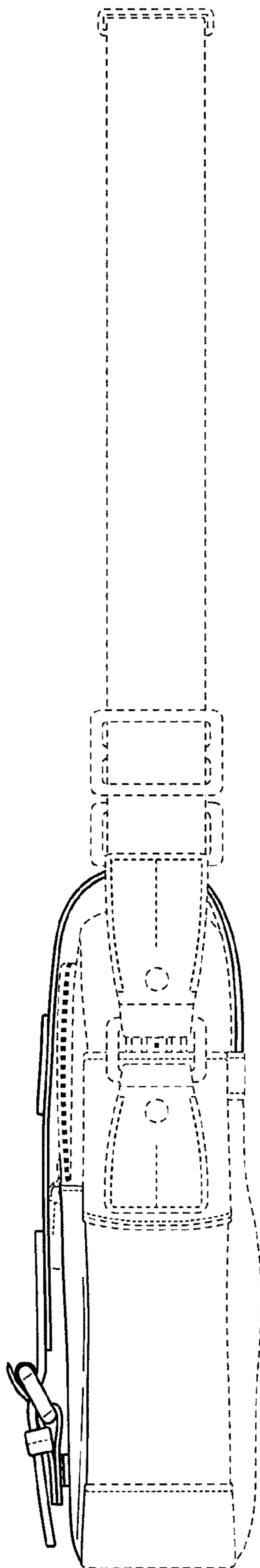


FIG. 4

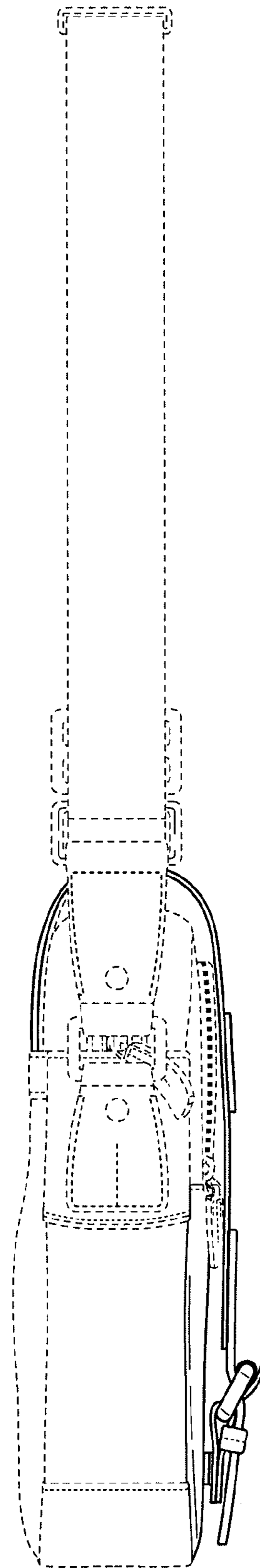


FIG. 5

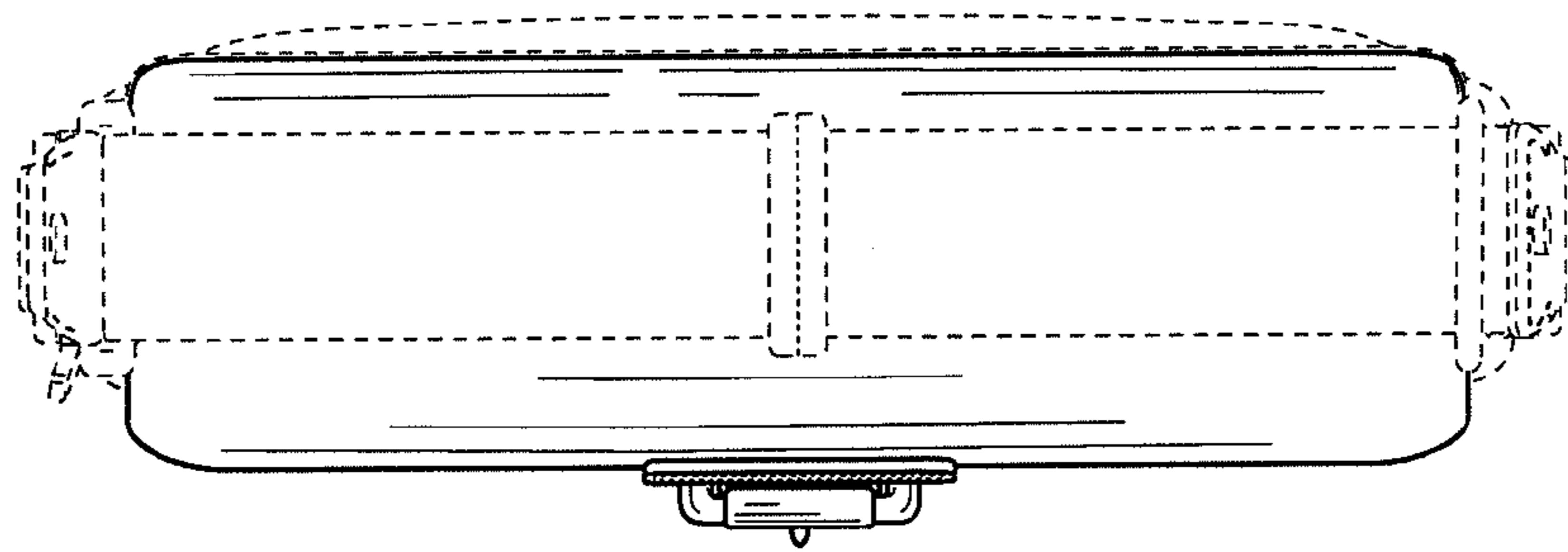


FIG. 6

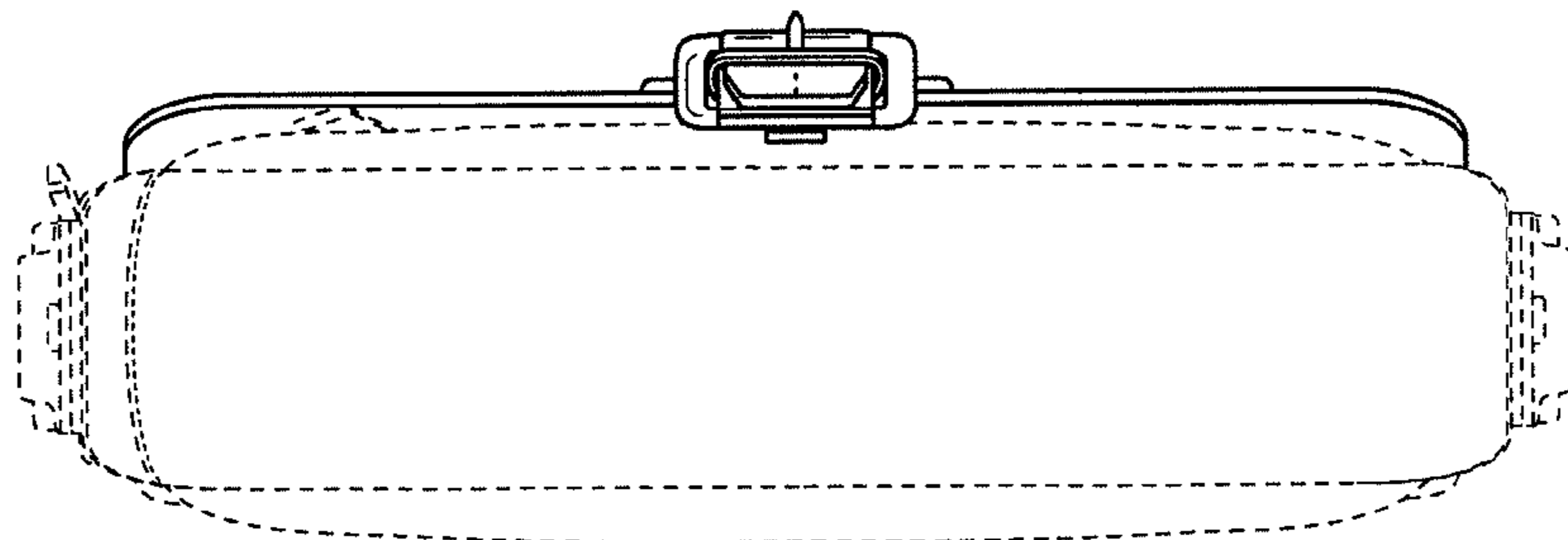


FIG. 7