



US00D604047S

(12) **United States Design Patent**  
**Williams**

(10) **Patent No.:** **US D604,047 S**

(45) **Date of Patent:** **\*\* Nov. 17, 2009**

(54) **SUPPLY CADDY**

(76) **Inventor:** **Mary E Williams**, 482 E. Chukar Way,  
Clifton, CO (US) 81520

(\*\*) **Term:** **14 Years**

(21) **Appl. No.:** **29/323,674**

(22) **Filed:** **Aug. 28, 2008**

(51) **LOC (9) Cl.** ..... **03-01**

(52) **U.S. Cl.** ..... **D3/310**

(58) **Field of Classification Search** ..... D32/37,  
D32/53; D3/304-315; 206/349, 373, 507,  
206/509; 220/23.83, 23.86, 500

See application file for complete search history.

(56) **References Cited**

**U.S. PATENT DOCUMENTS**

3,720,346	A *	3/1973	Cypher	.....	220/533
4,826,007	A *	5/1989	Skeie	.....	206/373
5,174,447	A *	12/1992	Fleming	.....	206/373
5,186,329	A *	2/1993	Fogelberg	.....	206/372
5,350,065	A *	9/1994	Darrey	.....	206/373
D375,200	S *	11/1996	Nugent	.....	D3/313
5,669,498	A *	9/1997	Fierek et al.	.....	206/373
D388,919	S *	1/1998	Maire et al.	.....	D32/53
D396,912	S *	8/1998	Maire et al.	.....	D32/53
5,797,491	A *	8/1998	Fierek et al.	.....	206/373

D399,348	S *	10/1998	Dancyger	.....	D3/313
5,848,701	A *	12/1998	Riccabona	.....	206/702
6,189,697	B1 *	2/2001	Davis	.....	206/581
D446,374	S *	8/2001	Howard et al.	.....	D34/1
D453,405	S *	2/2002	Howard	.....	D34/1
2008/0230416	A1 *	9/2008	Brouard	.....	206/372

\* cited by examiner

*Primary Examiner*—T. Chase Nelson

*Assistant Examiner*—Kathleen M Sims

(74) *Attorney, Agent, or Firm*—Crossley Patent Law; Mark Ashley Crossley

(57) **CLAIM**

The ornamental design for a supply caddy, as shown and described.

**DESCRIPTION**

FIG. 1 is a right elevation view of a supply caddy showing my new design;

FIG. 2 is a left elevation view thereof;

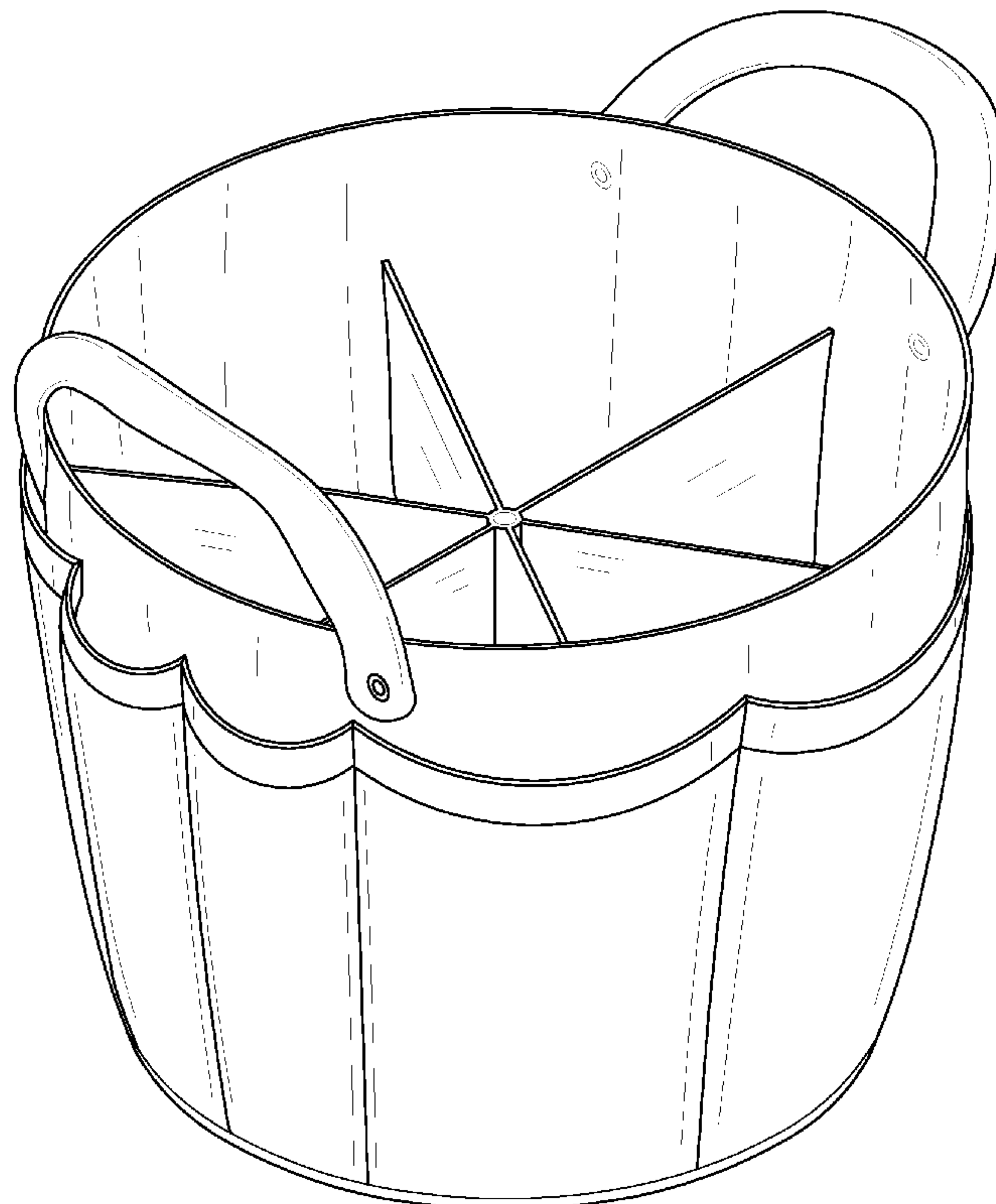
FIG. 3 is a front elevation view thereof;

FIG. 4 is a top plan view thereof;

FIG. 5 is a bottom plan view thereof; and,

FIG. 6 is an rear isometric view thereof.

**1 Claim, 4 Drawing Sheets**



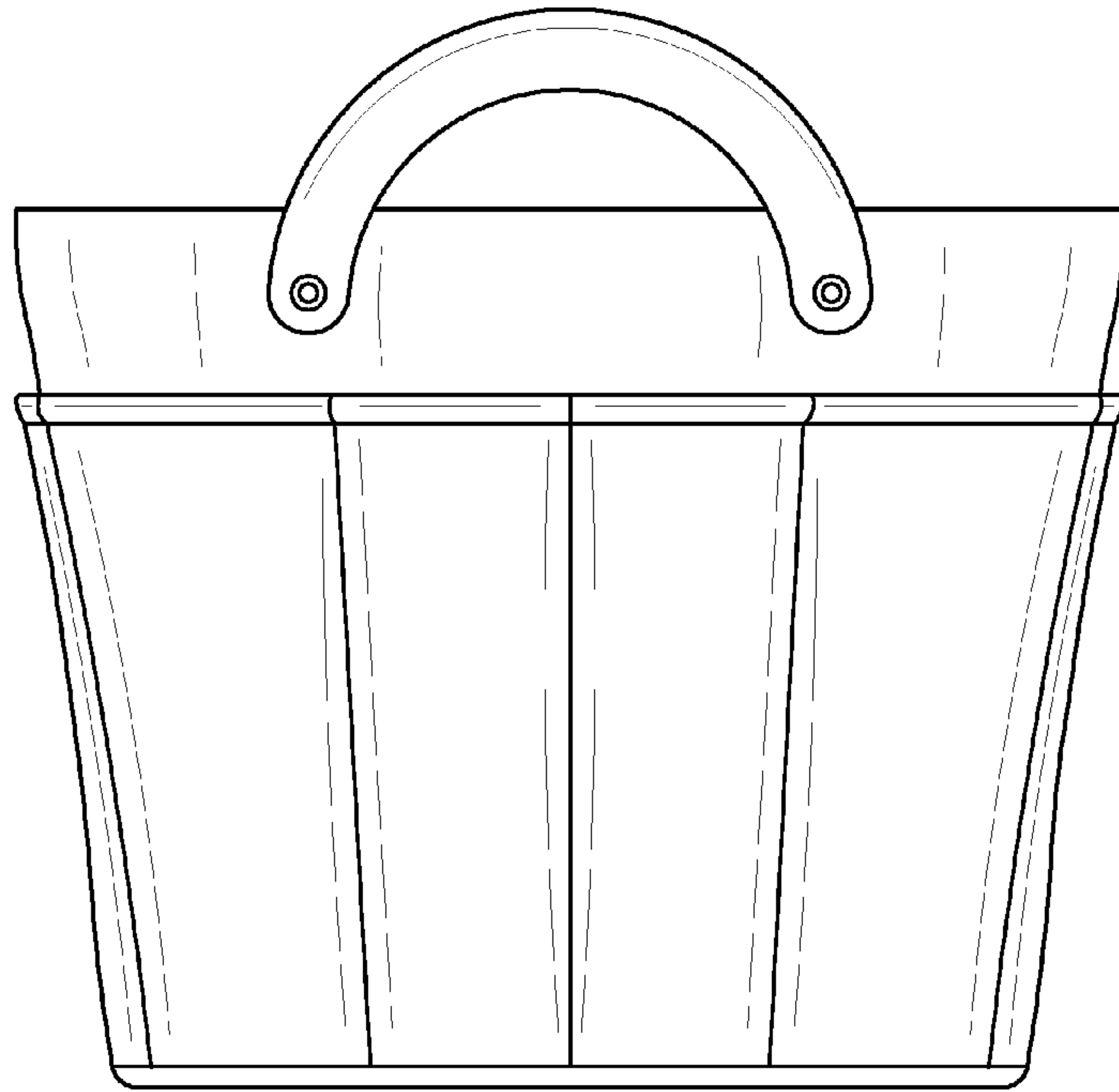


FIG. 1

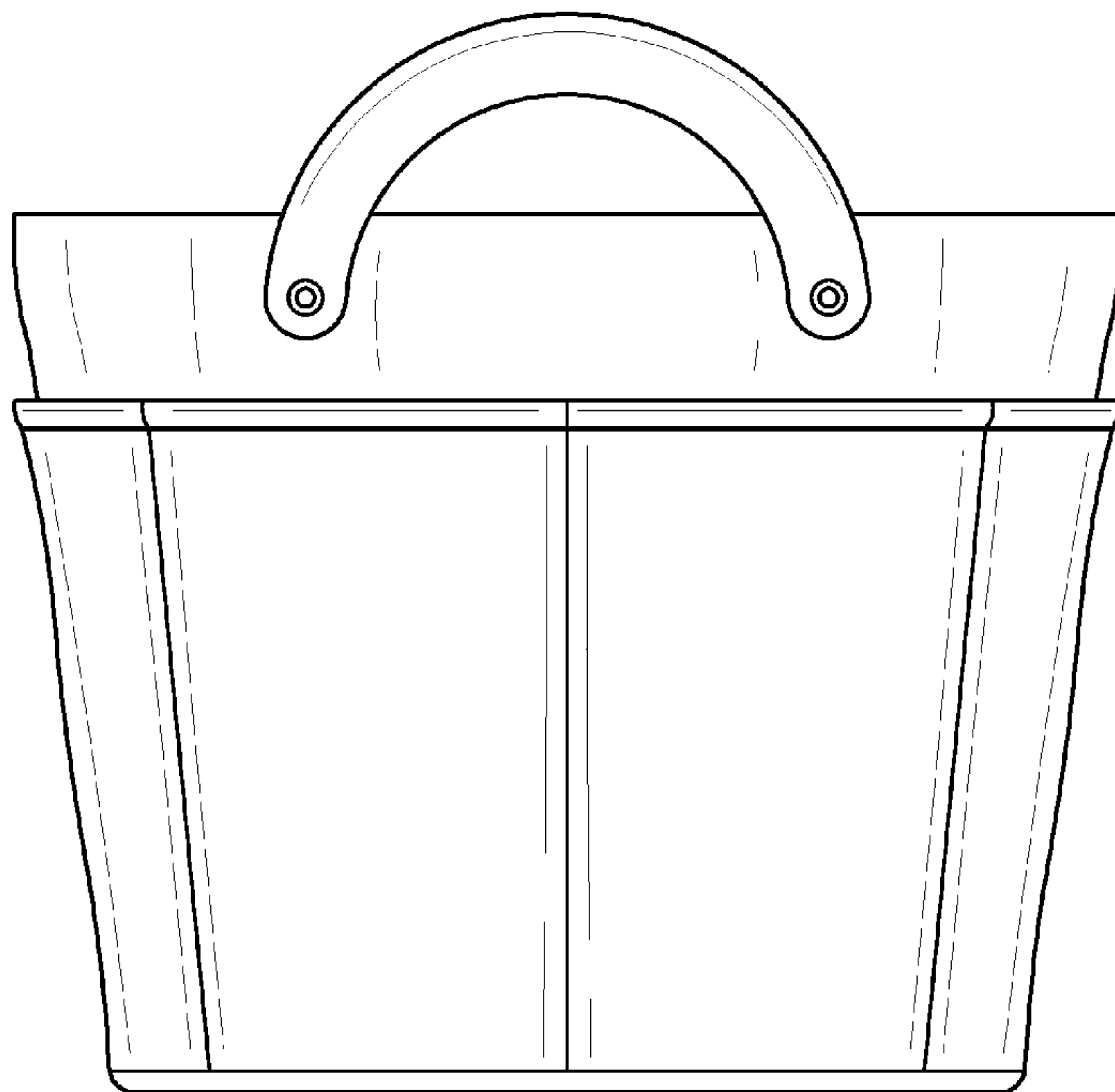


FIG. 2

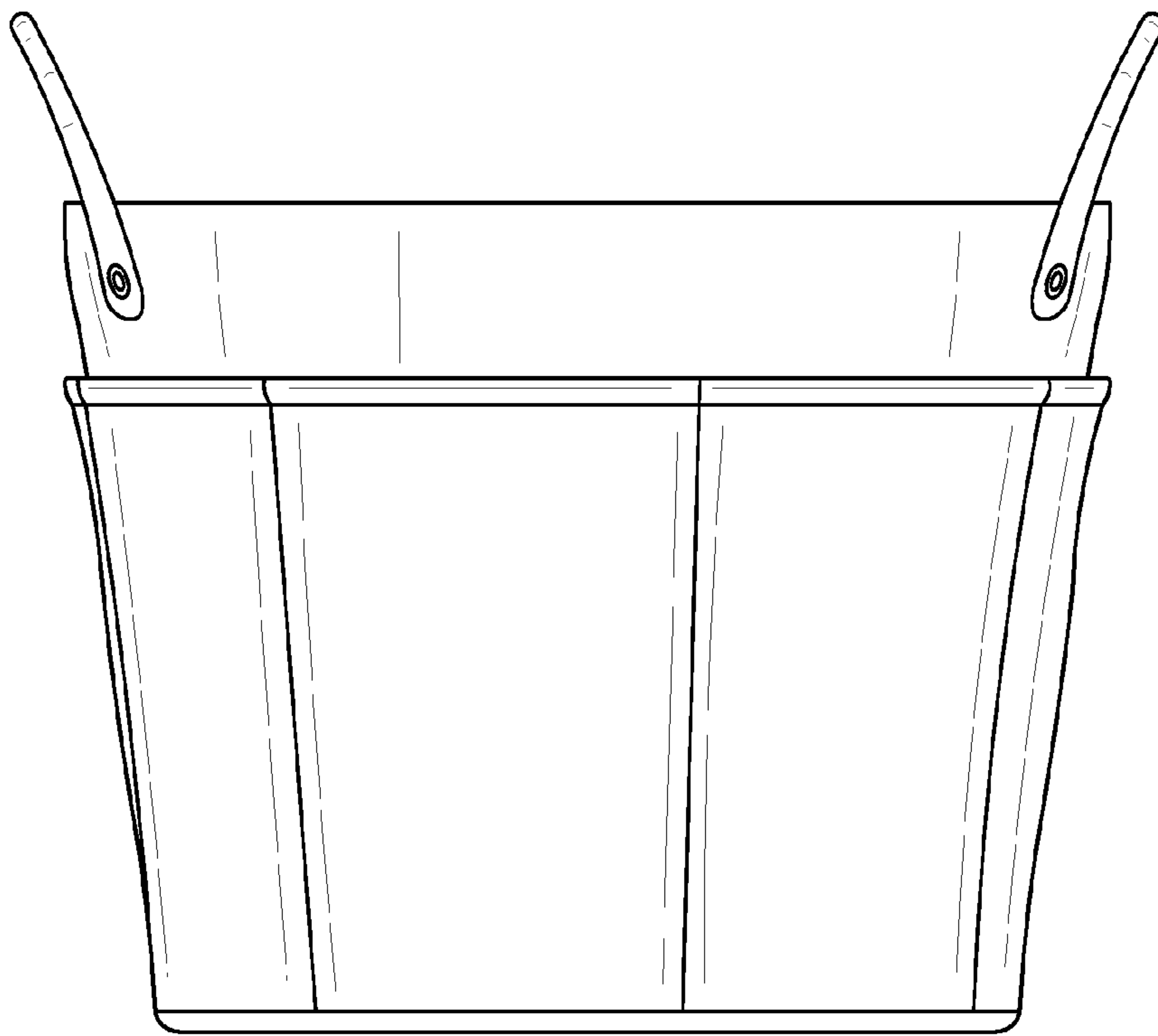


FIG. 3

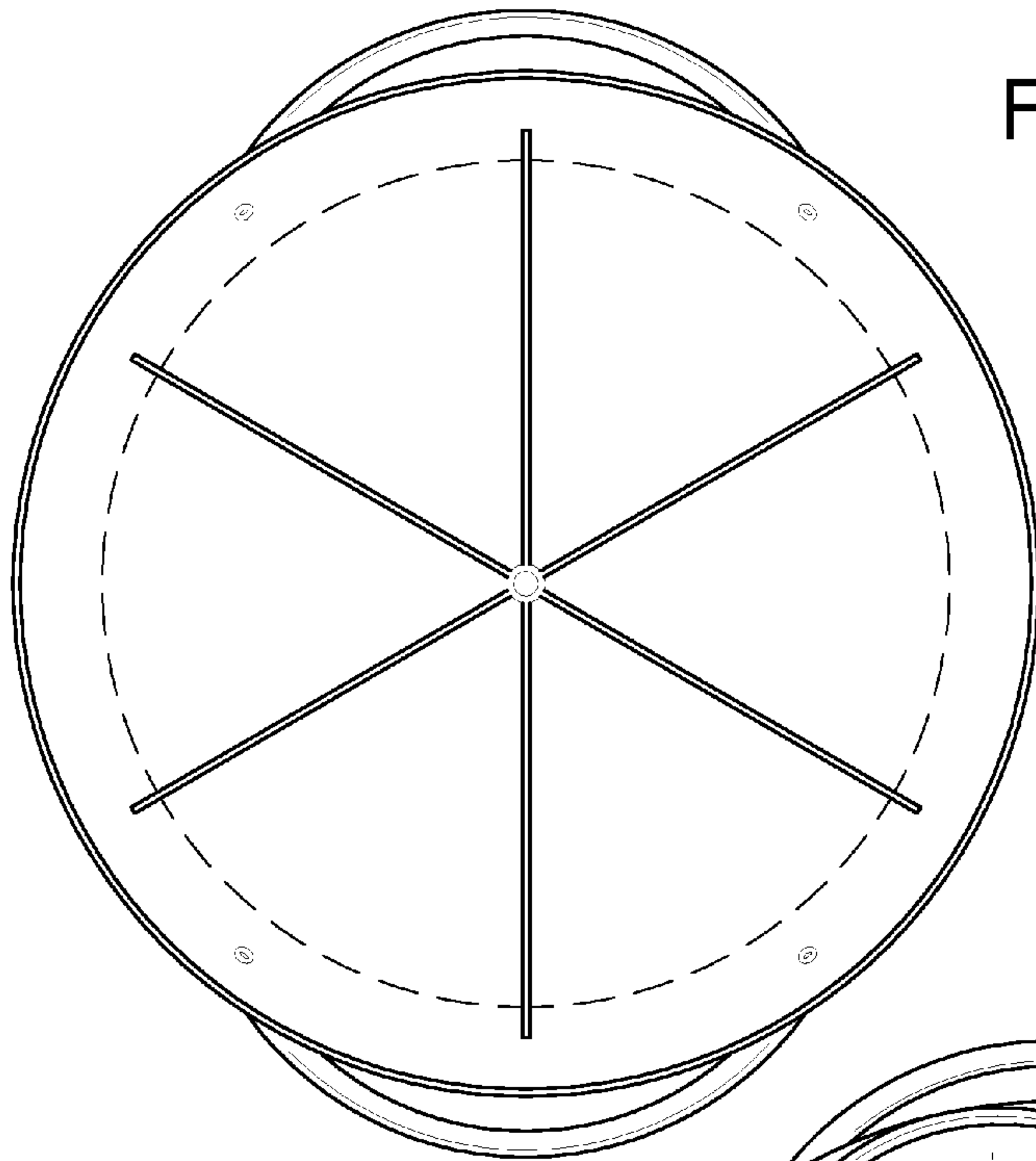


FIG. 4

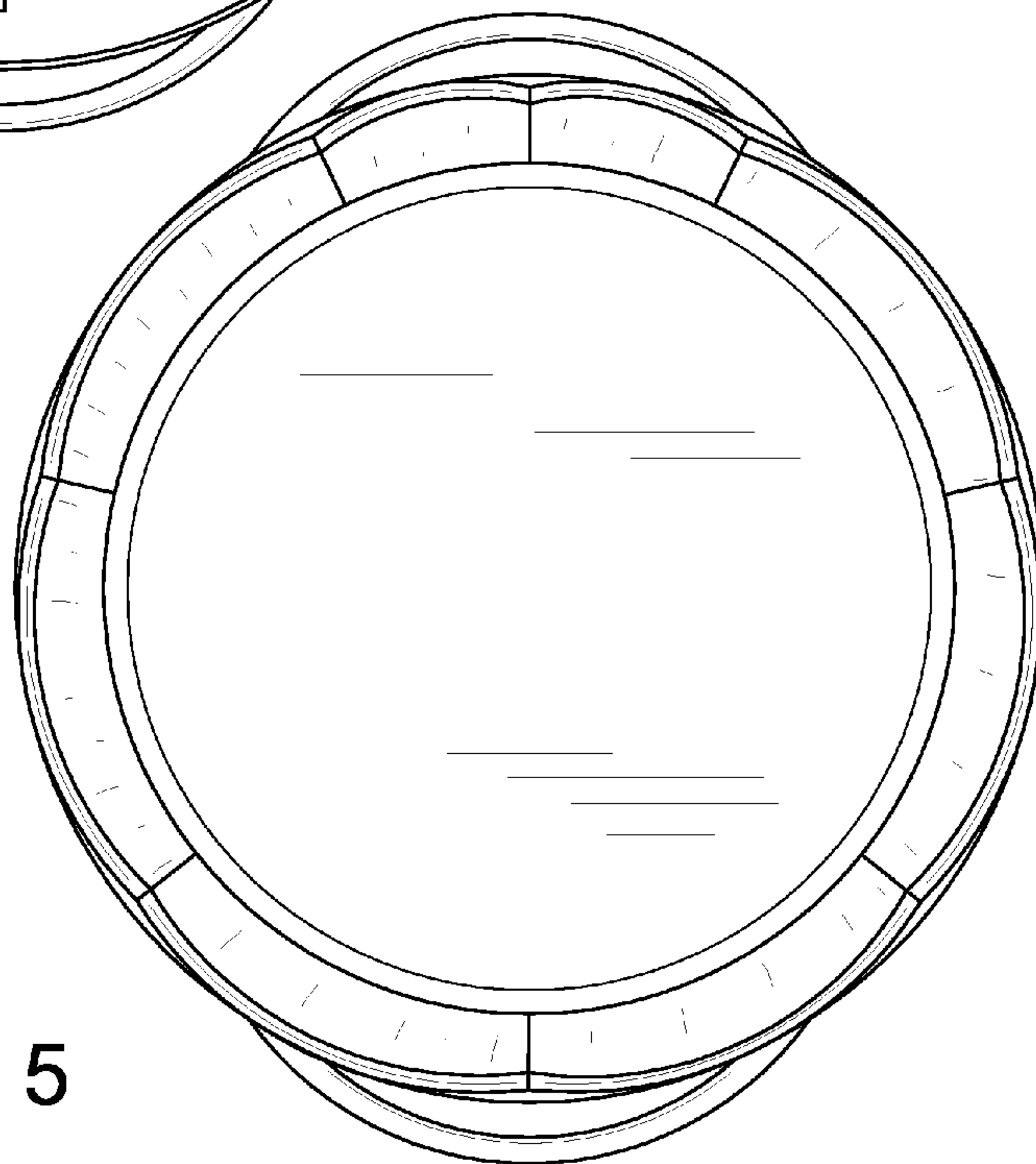


FIG. 5

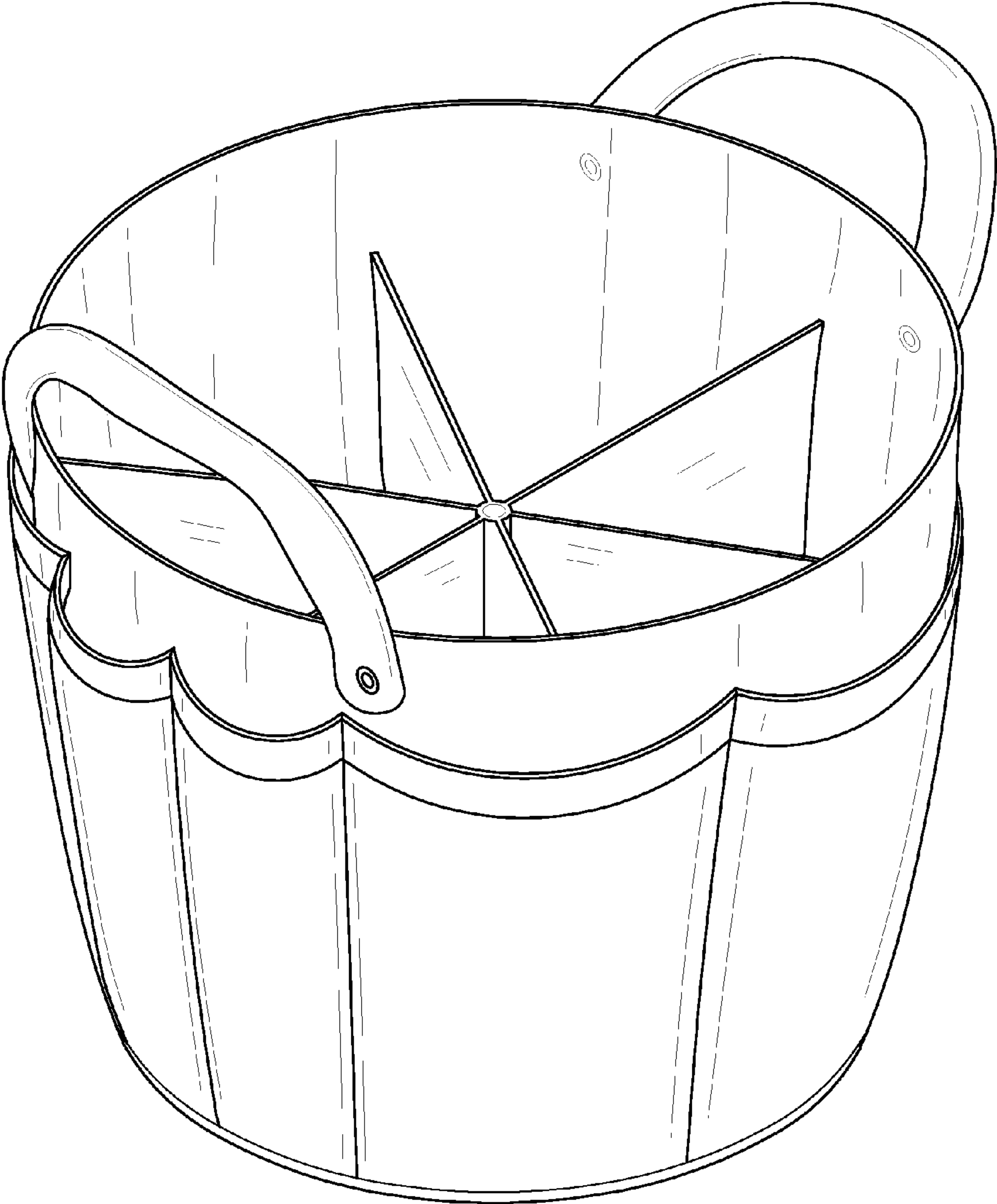


FIG. 6