



US00D604045S

(12) **United States Design Patent**
Schantz et al.

(10) **Patent No.:** **US D604,045 S**
(45) **Date of Patent:** **** Nov. 17, 2009**

(54) **COMPUTER PROTECTION AND CARRYING CASE**

(75) Inventors: **Brad L. Schantz**, Evanston, IL (US);
Zoran Gracer, Deerfield, IL (US)

(73) Assignee: **Travel Caddy, Inc.**, Elk Grove Village, IL (US)

(**) Term: **14 Years**

(21) Appl. No.: **29/329,704**

(22) Filed: **Dec. 19, 2008**

(51) **LOC (9) Cl.** **03-01**

(52) **U.S. Cl.** **D3/299; D3/900**

(58) **Field of Classification Search** D3/243,
D3/273, 276, 290, 299, 900; 190/100, 107,
190/115; 206/320; D14/439, 440
See application file for complete search history.

(56) **References Cited**

U.S. PATENT DOCUMENTS

767,898 A * 8/1904 Lamphier 190/107
1,838,869 A * 12/1931 Rieb 190/115

(Continued)

OTHER PUBLICATIONS

www.aerovation.com/ocheckpoint-friendly/15-4-inch-checkpoint-friendly-laptop-bag/prod_32.html Checkable Case.
www.brenthaven.com/catalog-checkable-case.html
www.briggs-riley.com/search.aspx.
www.ebags.com/codi/phantom_ct_3_checkpoint_tested_laptop_bag/product_detail/index.cfm?modelid=121668&lastterm=CODi%20Phantom%20CT3%20Checkpoint%20Tested%20Laptop%20Bag.
www.myincipio.com/product/MACBOOK_AIR_IM-200/Quick_Check_Point_Friendly_Laptop_Carrying_Case.html.
www.buyturbobag.com.

(Continued)

Primary Examiner—Philip S Hyder
Assistant Examiner—Roselynn Cody

(74) *Attorney, Agent, or Firm*—Fitch, Even, Tabin & Flannery

(57) **CLAIM**

The ornamental design for a computer protection and carrying case, as shown and described.

DESCRIPTION

FIG. 1 is an isometric view of an embodiment of the case of the invention opened to receive a personal computer depicted in phantom;

FIG. 2 is an isometric view of the embodiment of the case of FIG. 1 wherein the case is partially folded to enclose the personal computer depicted in phantom;

FIG. 3 is an isometric view of the embodiment of the case of FIGS. 1 and 2 wherein the case is fully folded to enclose the personal computer depicted in phantom;

FIG. 4 is a plan view of the case of the invention depicting the inside of the open case depicted in FIG. 1;

FIG. 5 is a plan view of the case of the invention depicting the outside of the open case depicted in FIG. 1;

FIG. 6 is a front side view of the folded case depicted in FIG. 3;

FIG. 7 is a back side view of the folded case depicted in FIG. 3;

FIG. 8 is a bottom side view of the folded case depicted in FIG. 3;

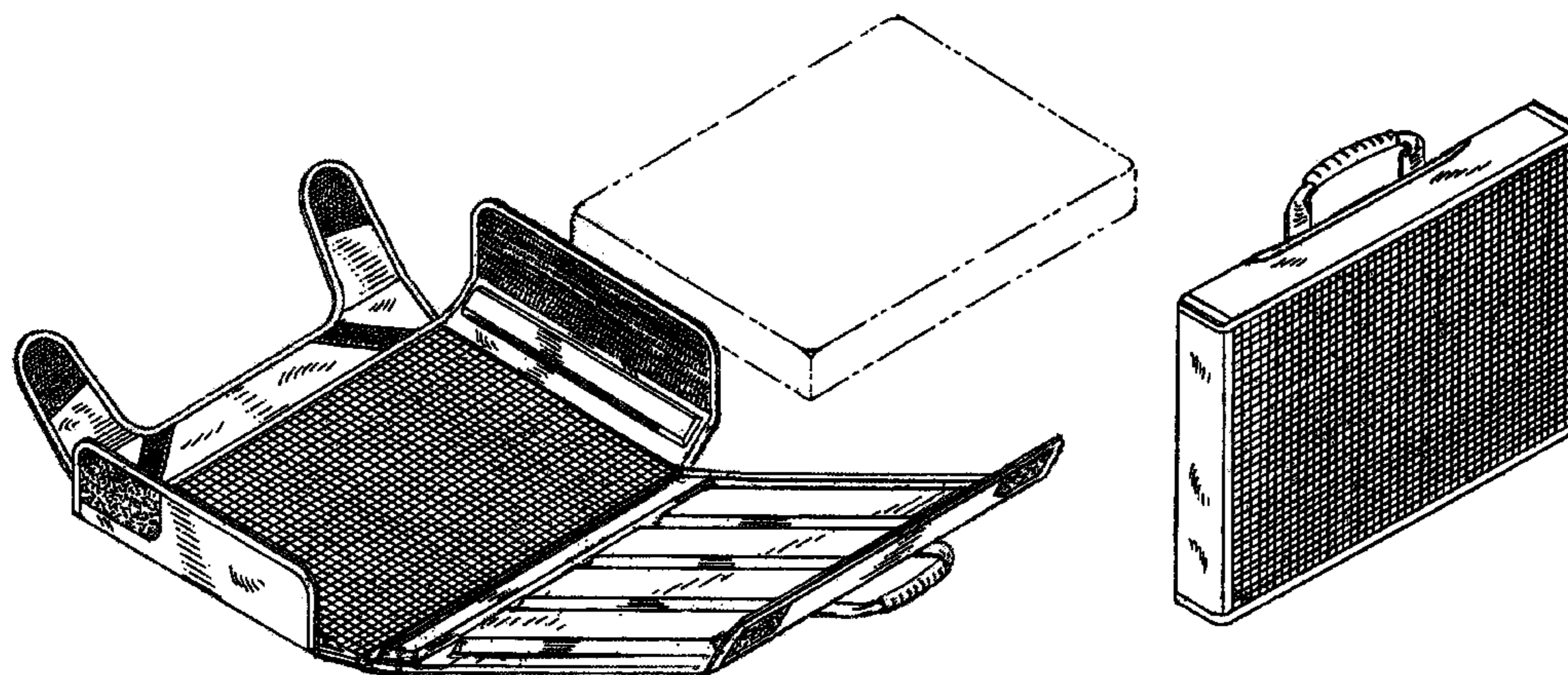
FIG. 9 is a top side view of the folded case depicted in FIG. 3;

FIG. 10 is a right hand side elevation view of the folded case depicted in FIG. 3; and,

FIG. 11 is a left hand side elevation of the folded case depicted in FIG. 3.

The phantom lines in FIGS. 1 and 2 illustrate environment and form no part of the claimed design.

1 Claim, 6 Drawing Sheets



US D604,045 S

Page 2

U.S. PATENT DOCUMENTS

3,198,420 A * 8/1965 Hiersteiner 229/67.3
D284,527 S 7/1986 Davis
D323,743 S 2/1992 DiSessa et al.
D324,453 S 3/1992 DiSessa et al.
D335,030 S 4/1993 Alfonso
D338,104 S 8/1993 Lee
D344,074 S 2/1994 Collins
D346,901 S 5/1994 Dulka et al.
5,377,794 A * 1/1995 Book 190/1
D358,483 S 5/1995 Cross et al.
D360,075 S 7/1995 Cross et al.
5,445,266 A * 8/1995 Prete et al. 206/320
D367,166 S 2/1996 Hettenbach
5,607,054 A * 3/1997 Hollingsworth 206/320
5,624,035 A * 4/1997 Kim 206/522
D380,612 S 7/1997 Kelley et al.
D437,115 S 2/2001 Hillman
D440,045 S * 4/2001 Vazquez D3/290
D441,191 S * 5/2001 Vazquez D3/290
6,604,618 B1 * 8/2003 Godshaw et al. 190/107
D500,597 S 1/2005 Hillman
6,896,134 B2 * 5/2005 Russell et al. 206/320

D515,588 S * 2/2006 Kirkwood D14/440
D531,409 S * 11/2006 Tullmann et al. D3/299
D548,967 S 8/2007 Bell
7,389,872 B2 * 6/2008 Wheeler et al. 206/320
D581,669 S 12/2008 Sween et al.
2007/0246386 A1 * 10/2007 Nykoluk et al. 206/320

OTHER PUBLICATIONS

<http://www.mobileedge.com/scanfast>.
www.portlandluggage.com/Pathfinder_Wheeled_Checkpoint_Friendly_ComputerBrief_p/1018.htm.
www.portlandluggage.com/Pathfinder_Wheeled_Checkpoint_Friendly_CompuBrief_p/1017.htm.
www.skoobadesign.com/catalog/checkpoint-friendly-bags-288/?osCsid=5357180038da16e81600b157035d653c.
www.solocases.com/item.aspx?id=1570.
www.solocases.com/item.aspx?id=1423.
www.solocases.com/item.aspx?id=1549.
www.solocases.com/cat.aspx?id=9.
www.targus.com/us/cases_laptop_zipthru.asp#product.
www.tombihn.com/page/001/PROD/TBP/TB1701.
<http://www.sfbags.com/products/vertigo/vertigo.htm>.

* cited by examiner

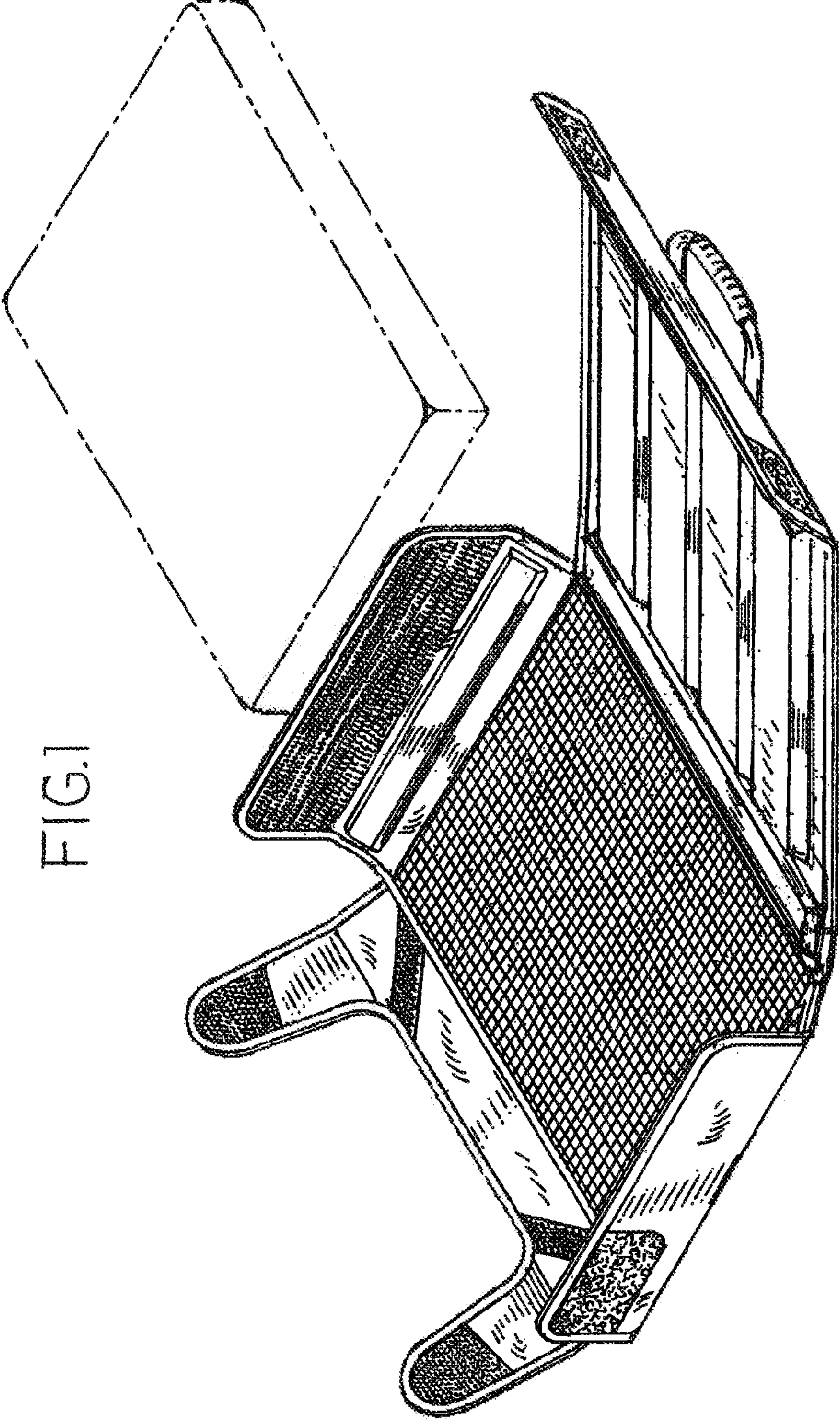


FIG. 1

FIG. 2

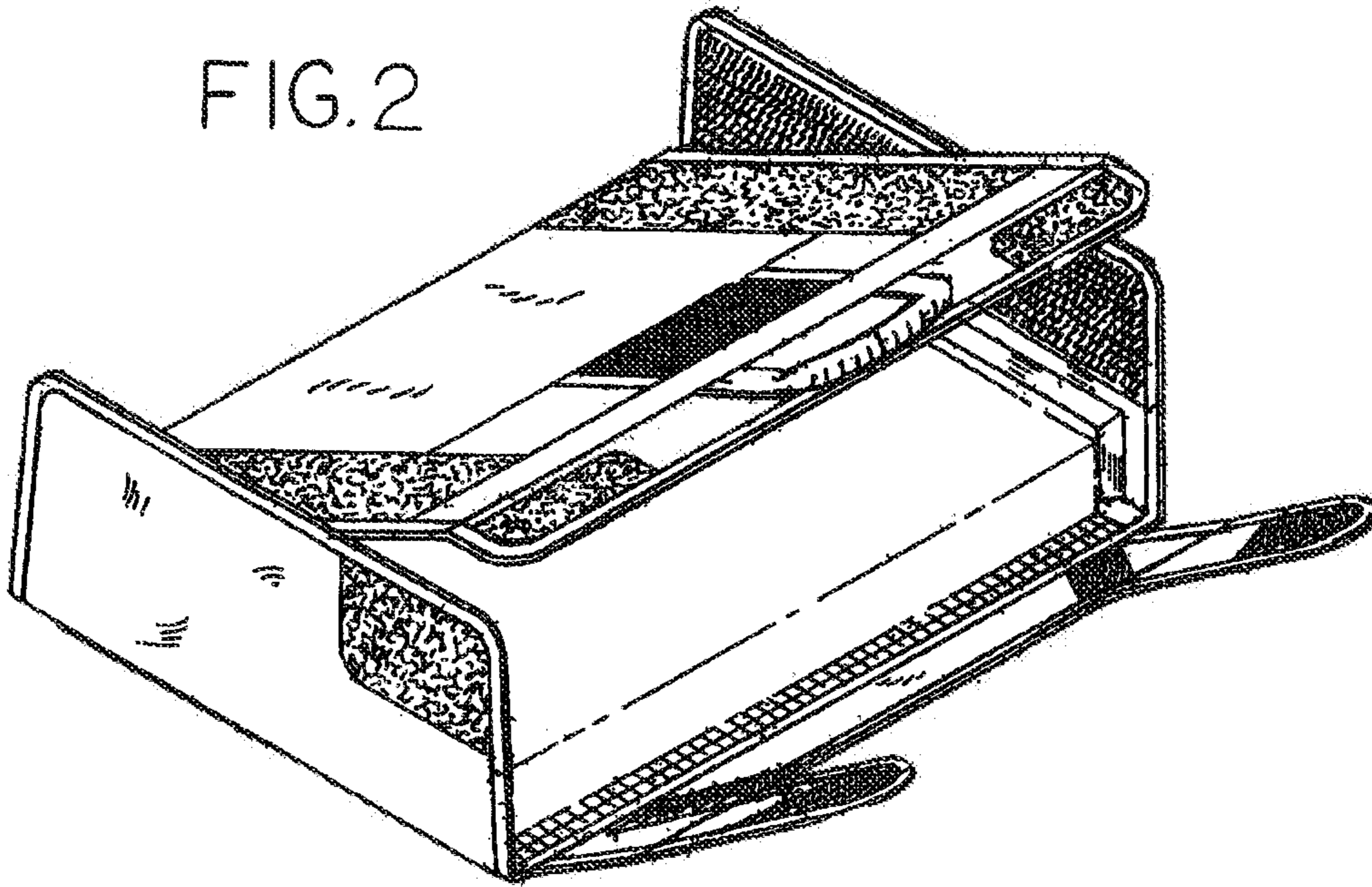


FIG. 3

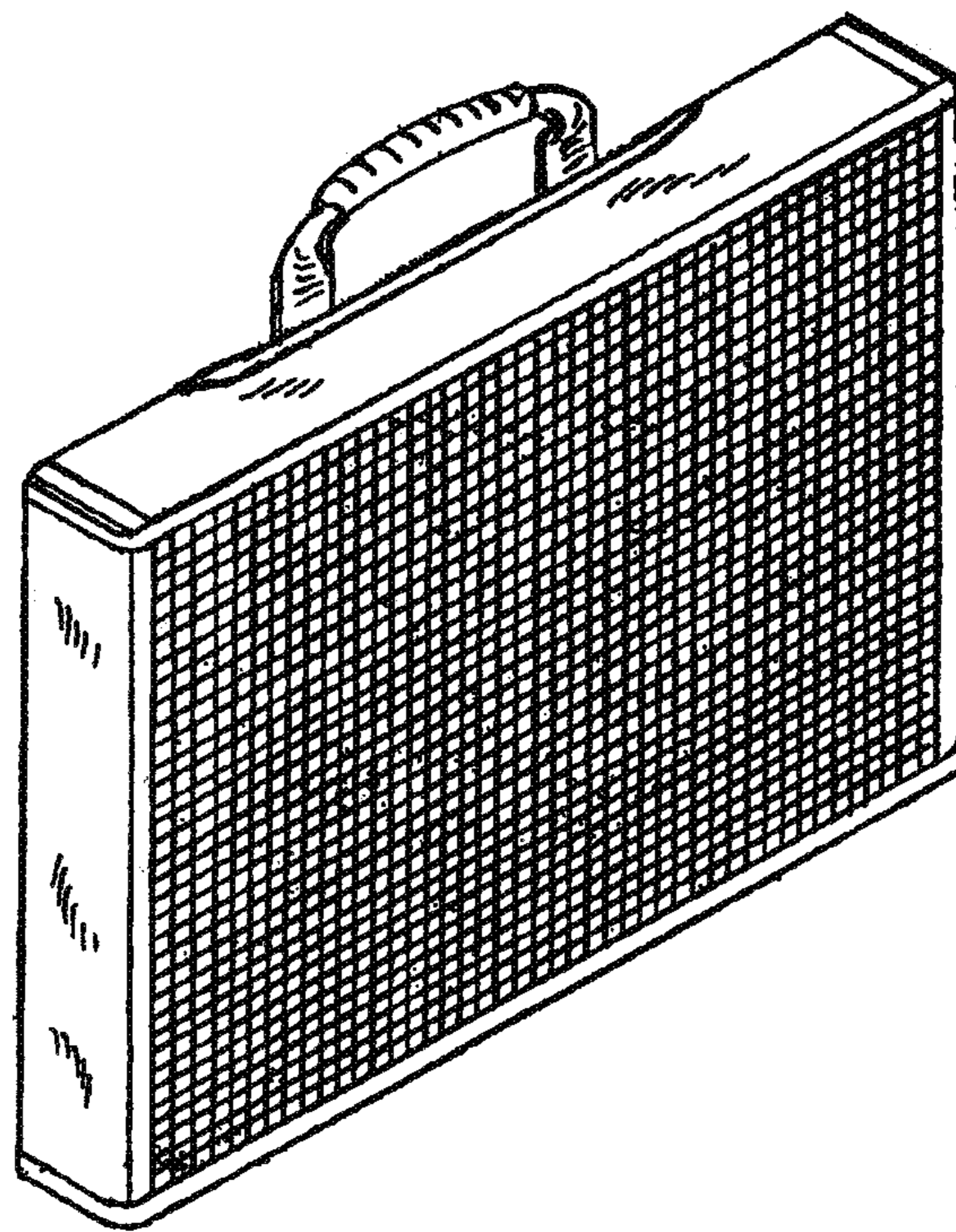


FIG.4

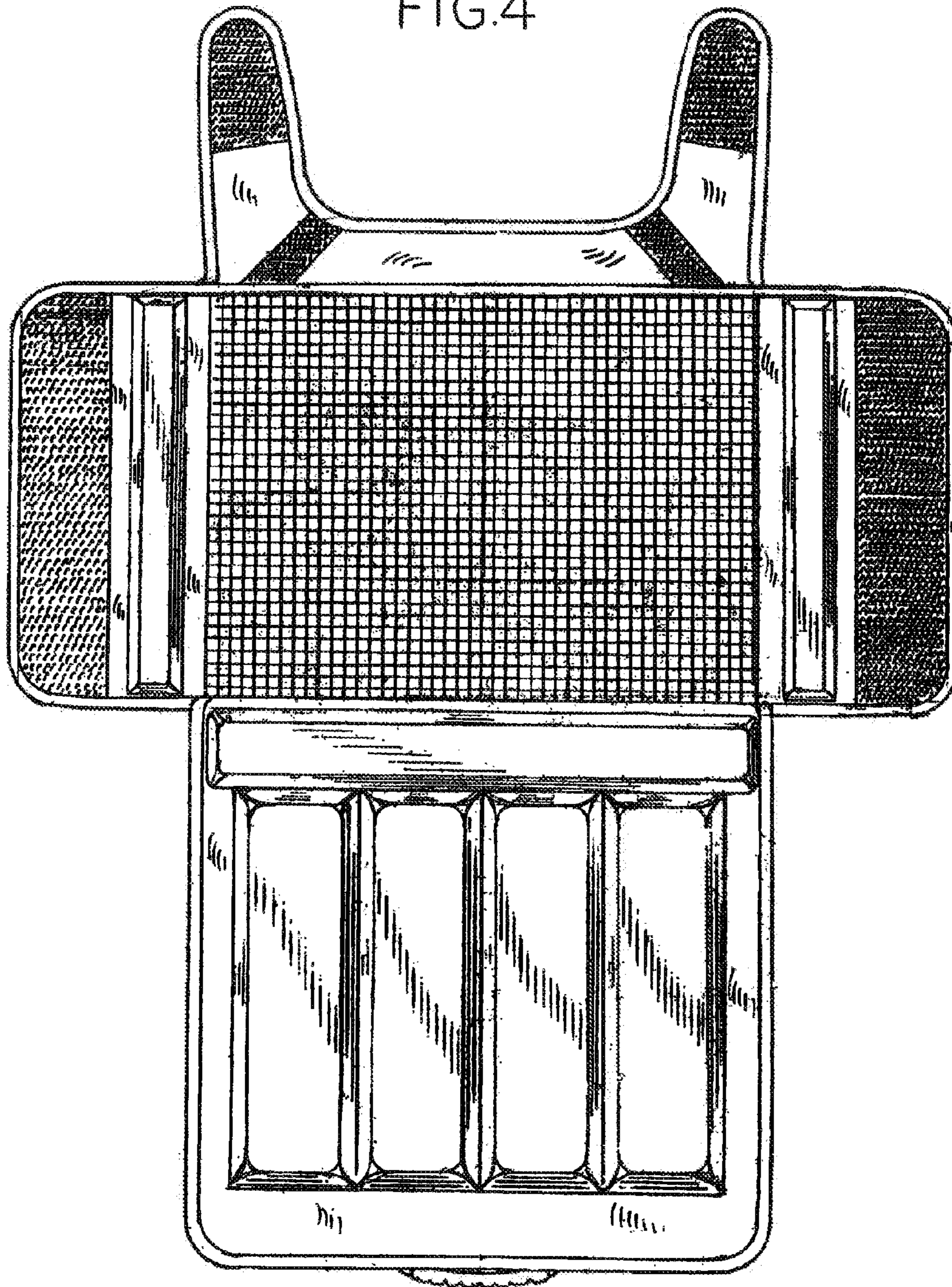


FIG. 5

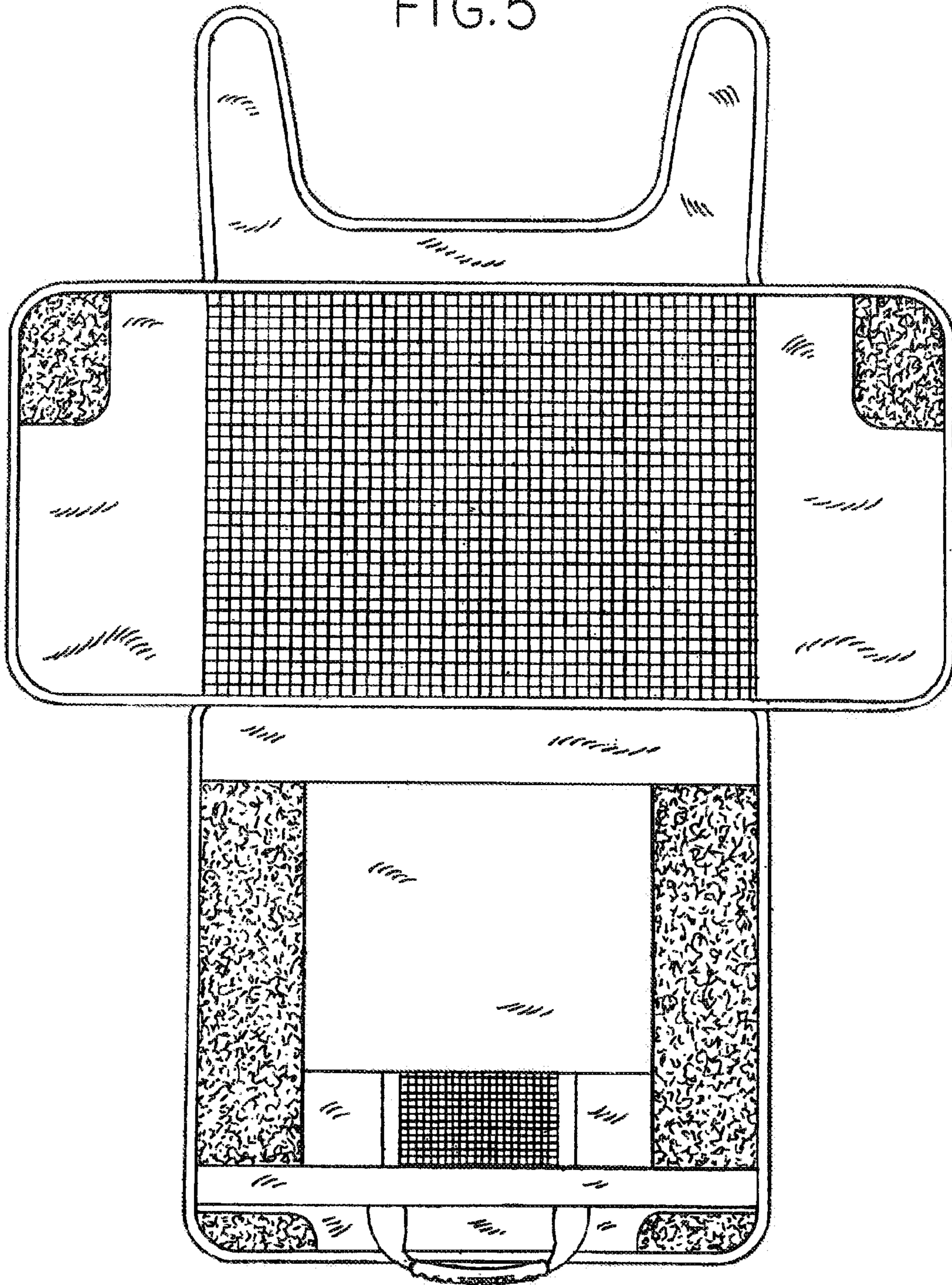


FIG.6

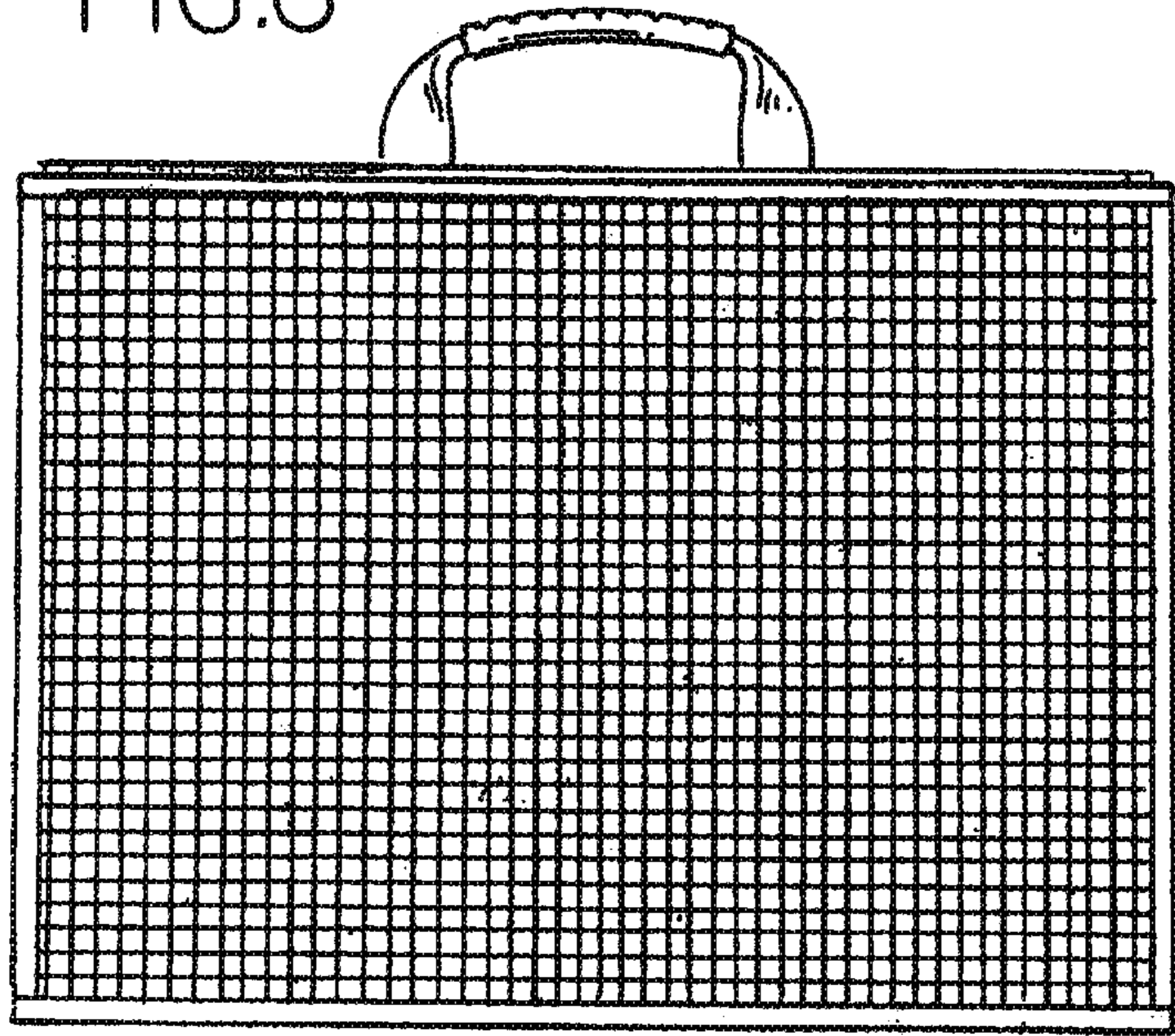


FIG.7

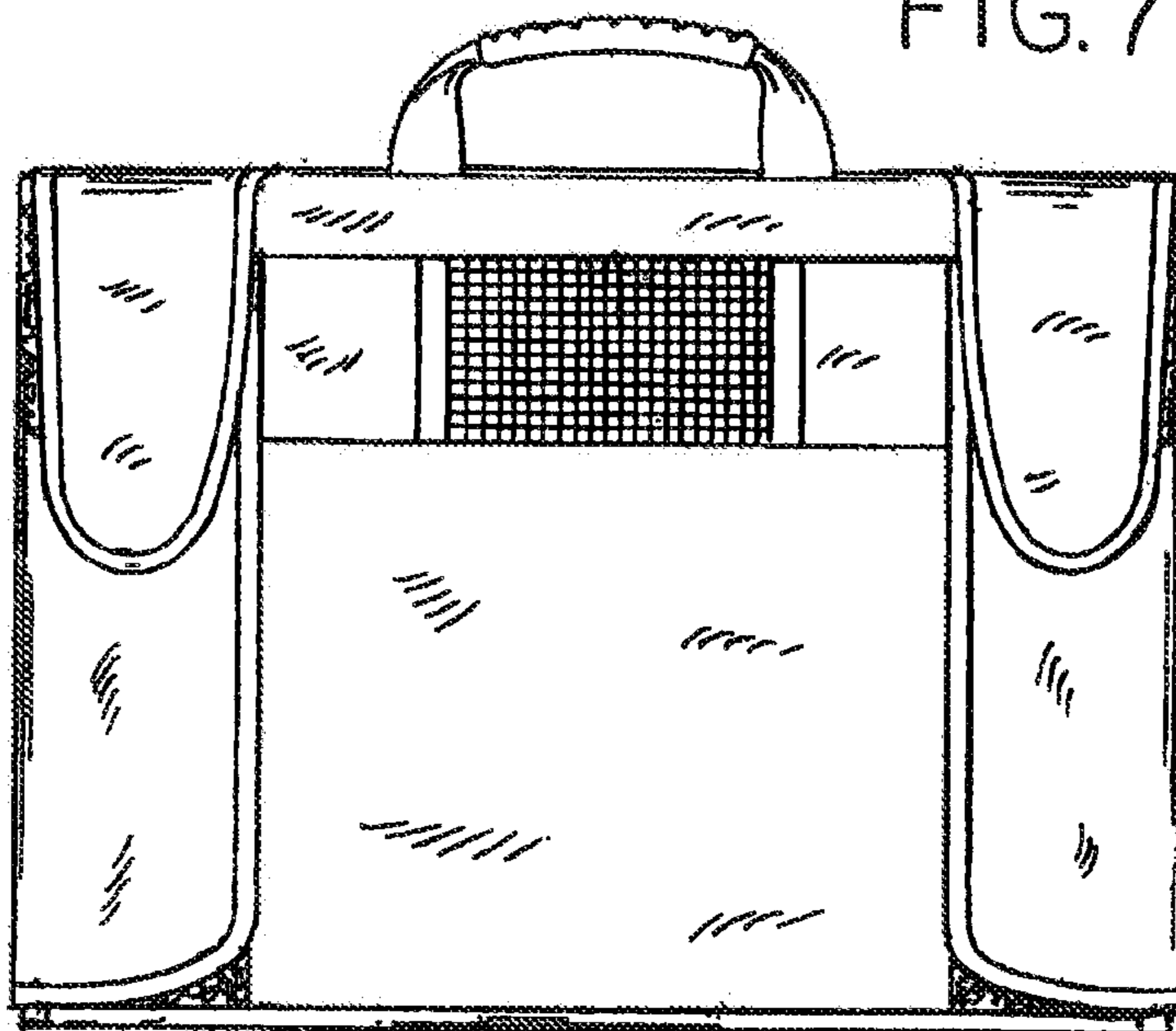


FIG.8



FIG.9

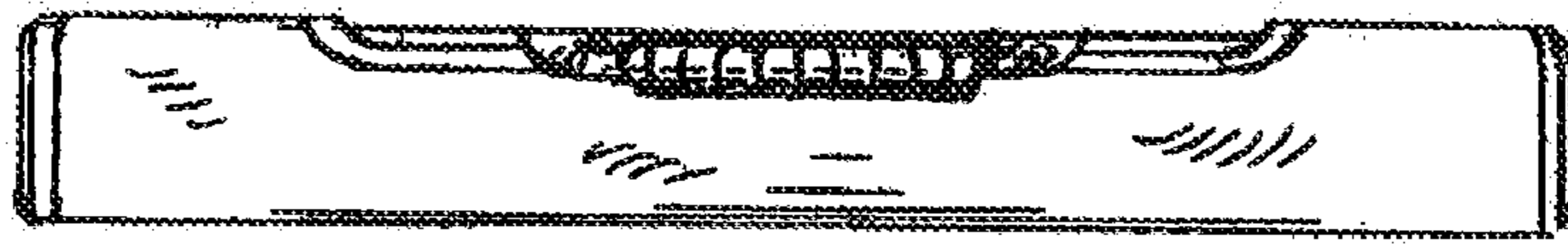


FIG.10



FIG.11

