

US00D604043S

(12) **United States Design Patent**
Hawbaker

(10) **Patent No.:** **US D604,043 S**

(45) **Date of Patent:** **** Nov. 17, 2009**

(54) **BAG**

(76) **Inventor:** **Veronica Hawbaker**, 5511 Edmondson Pike, Nashville, TN (US) 37211

(**) **Term:** **14 Years**

(21) **Appl. No.:** **29/331,792**

(22) **Filed:** **Feb. 1, 2009**

(51) **LOC (9) Cl.** **03-01**

(52) **U.S. Cl.** **D3/232**

(58) **Field of Classification Search** D3/232-233,
D3/240-246, 318, 324; 150/100, 103-104,
150/106-110, 113-114 M, 118-119

See application file for complete search history.

(56) **References Cited**

U.S. PATENT DOCUMENTS

D378,244 S * 3/1997 Cassida D3/243

* cited by examiner

Primary Examiner—Holly H Baynham

(74) *Attorney, Agent, or Firm*—PatentBest; Andrew McAleavey

(57) **CLAIM**

The ornamental design for a bag, as shown and described.

DESCRIPTION

FIG. 1 is a perspective view of a bag showing my new design;

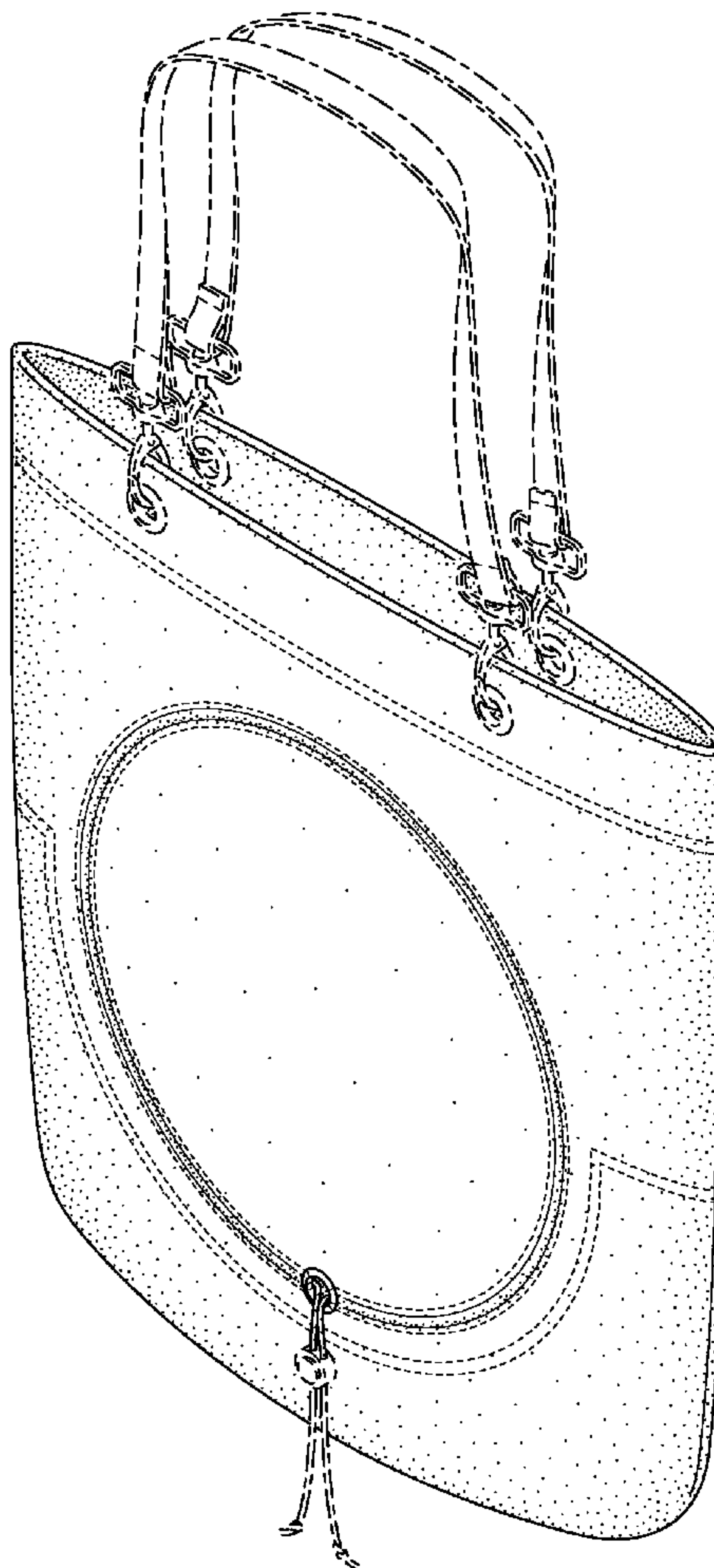
FIG. 2 is a front elevational view thereof;

FIG. 3 is a rear elevational view thereof; and,

FIG. 4 is a top plan view thereof.

In the drawing figures, even broken lines on the bag represent stitch lines, while broken lines of a dot-dash pattern adjacent shaded areas denote the bounds of the claim and form no part of the claimed design. The broken line showing of handles and a tassel is for illustrative purposes only and forms no part of the claim.

1 Claim, 4 Drawing Sheets



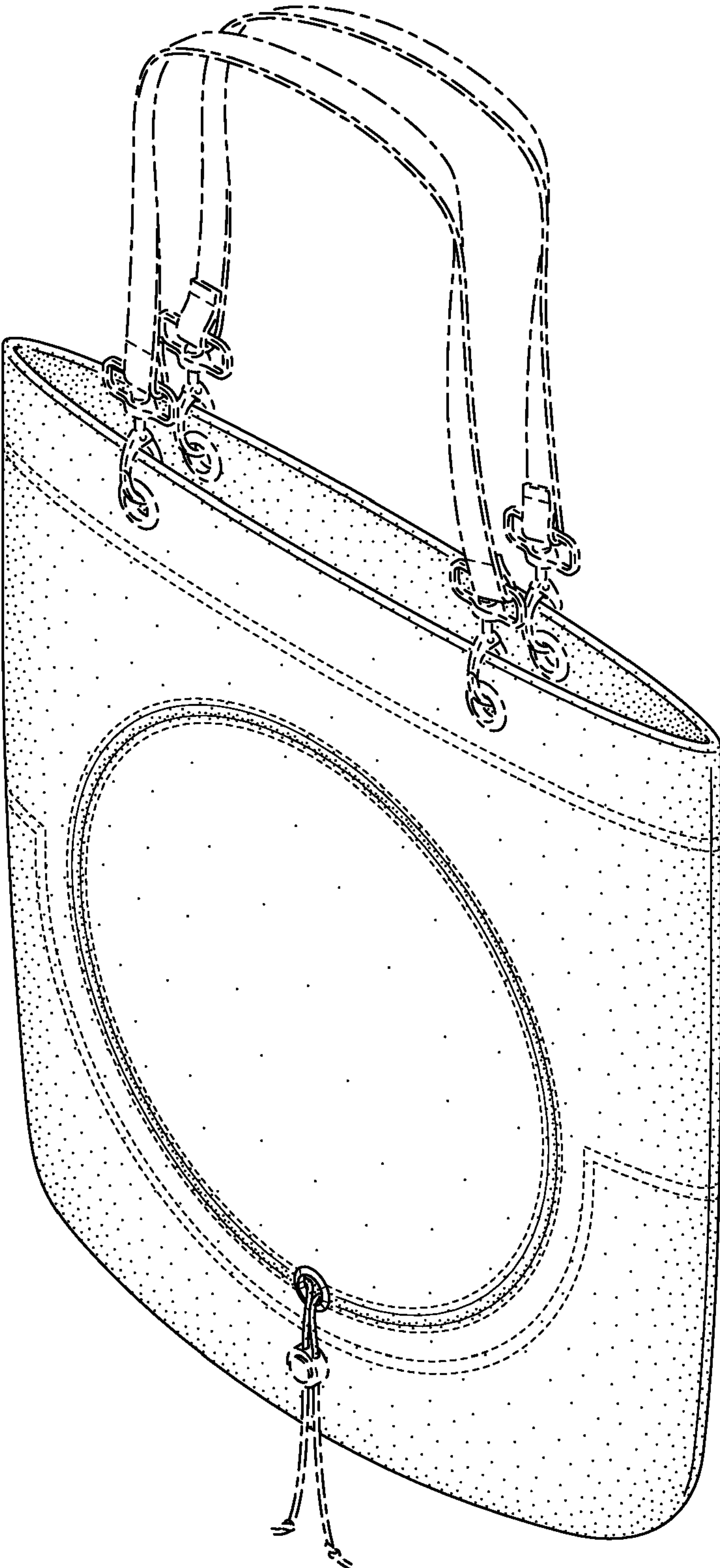


FIG. 1

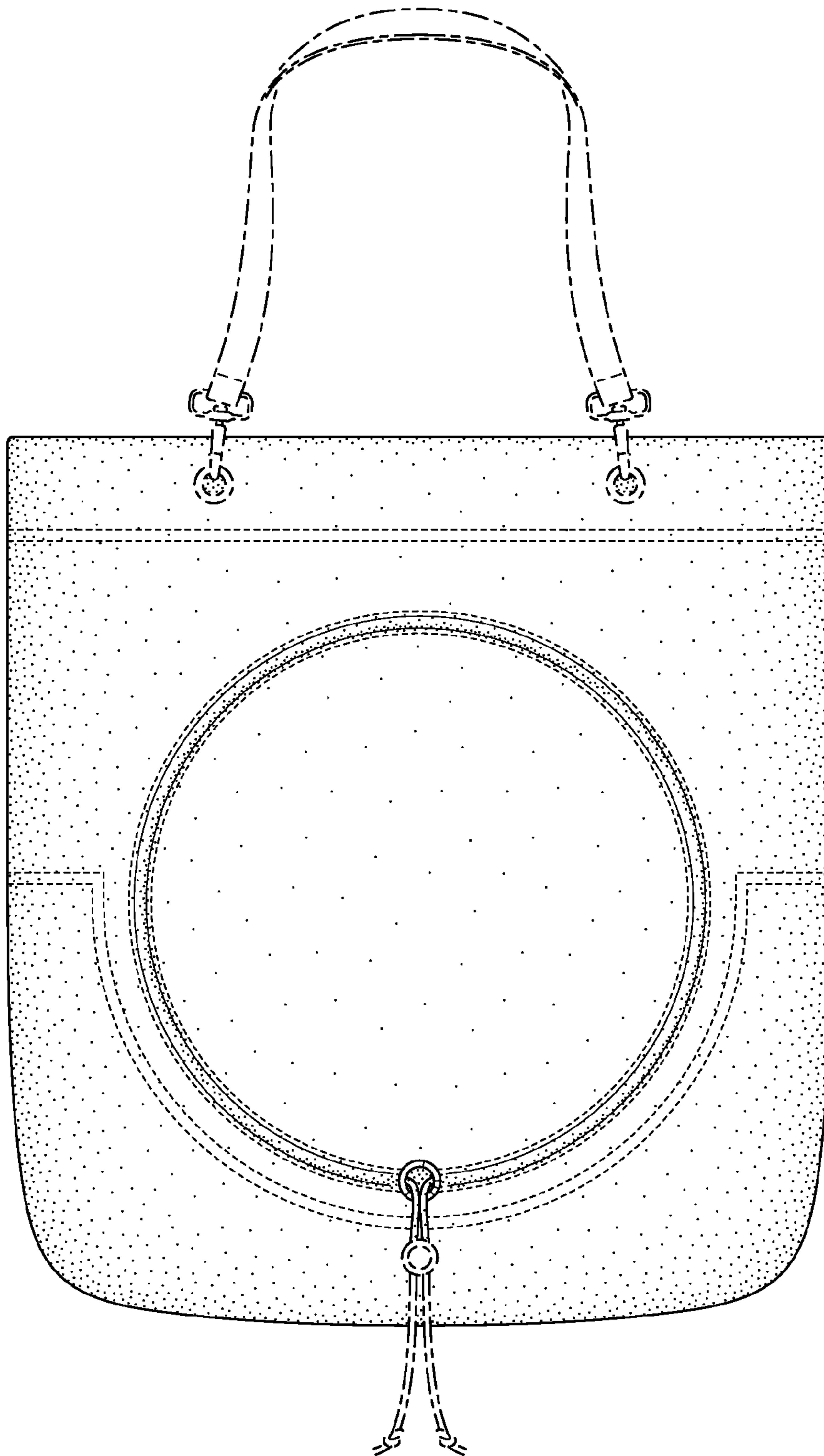


FIG. 2

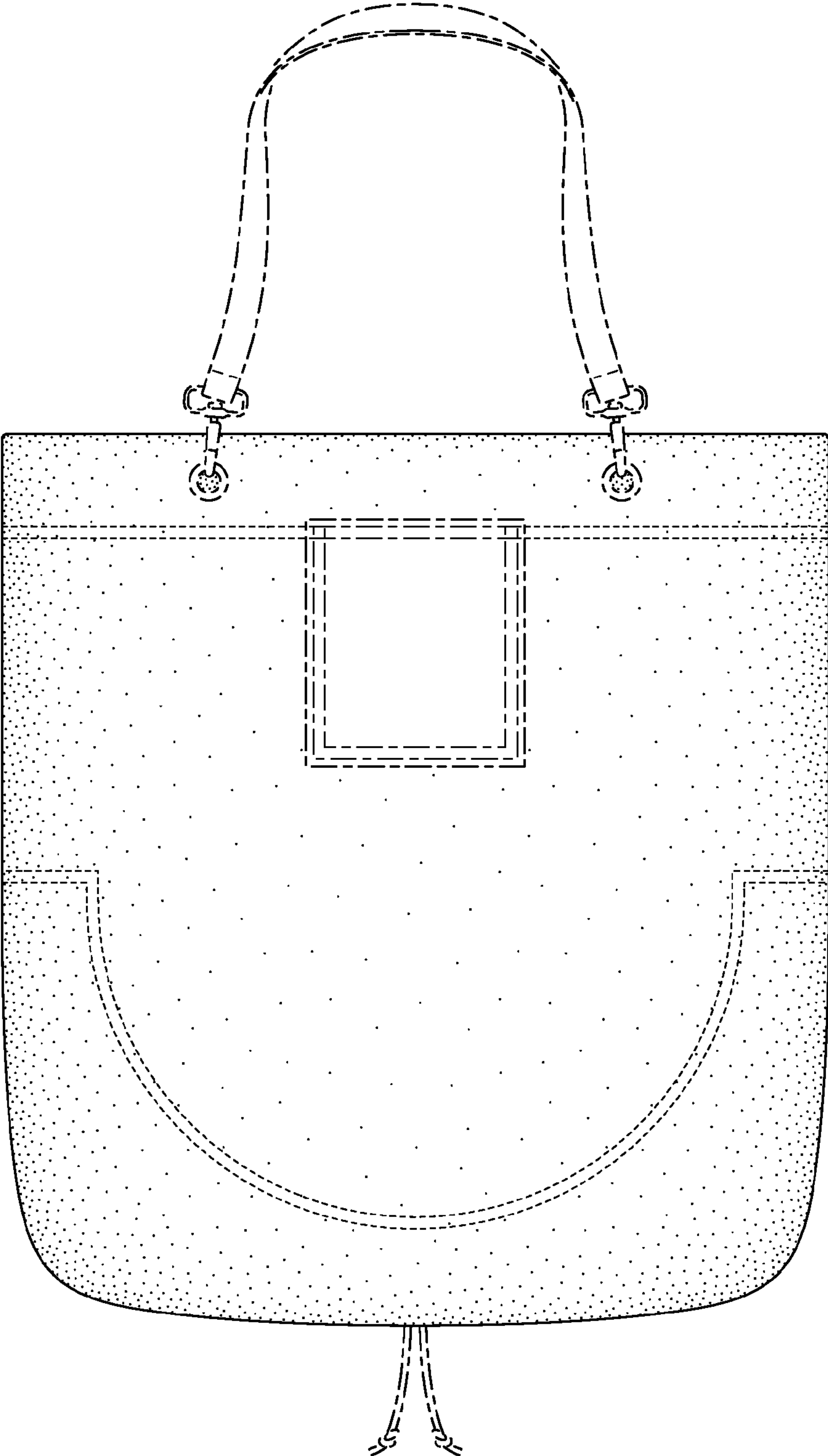


FIG. 3

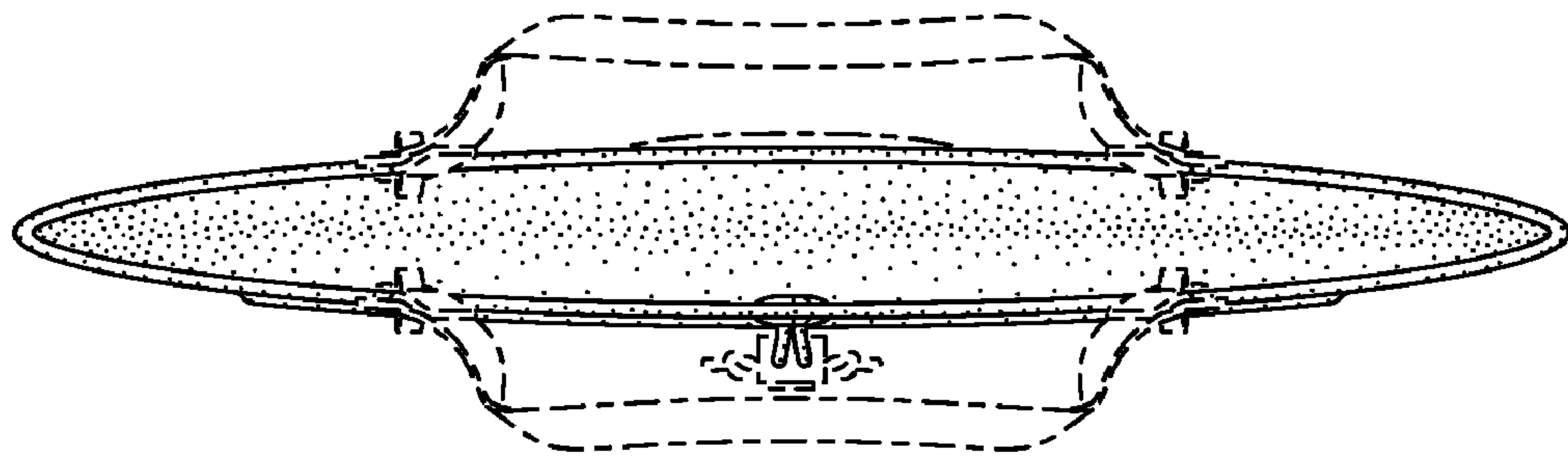


FIG. 4