



US00D604038S

(12) **United States Design Patent**
Downing et al.

(10) **Patent No.:** **US D604,038 S**

(45) **Date of Patent:** **** Nov. 17, 2009**

(54) **KEY HOLDER**

(75) Inventors: **Richard Downing**, Torquay (GB);
Justin Urquhart, Kingskerswell (GB)

(73) Assignee: **Wristkey.Com Limited**, Devon (GB)

(**) Term: **14 Years**

(21) Appl. No.: **29/300,678**

(22) Filed: **Apr. 24, 2008**

(30) **Foreign Application Priority Data**

Oct. 24, 2007 (EM) 000814330-0001

(51) **LOC (9) Cl.** **03-01**

(52) **U.S. Cl.** **D3/207**

(58) **Field of Classification Search** D3/207-212;
D11/31-33, 44, 48-51, 66; 70/456 R, 456 B,
70/457-460; 24/3.6; D13/168; 362/116;
D8/348

See application file for complete search history.

(56) **References Cited**

U.S. PATENT DOCUMENTS

2,078,325 A * 4/1937 Hallock 224/221
2,728,501 A * 12/1955 Hill 224/219
3,119,249 A * 1/1964 Goldstein 70/456 R
4,037,442 A * 7/1977 Staude et al. 70/456 R
D558,446 S * 1/2008 Moran D3/208

FOREIGN PATENT DOCUMENTS

DE 8506454 U 7/1986

EP 0420607 A 4/1991
FR 176188 A 4/1959
FR 1381728 A 12/1964
GB 2310130 A 8/1997
WO WO00/65531 A 11/2000

* cited by examiner

Primary Examiner—R. Seifert

(74) *Attorney, Agent, or Firm*—Clark & Brody

(57) **CLAIM**

The ornamental design for a key holder, as shown and described.

DESCRIPTION

FIG. 1 is a front elevation view of a key holder showing our new design. A key is shown in phantom lines to illustrate environment and forms no part of the invention.

FIG. 2 is a top plan view thereof.

FIG. 3 is a bottom plan view thereof.

FIG. 4 is a right side elevation view thereof.

FIG. 5 is a left side elevation view thereof.

FIG. 6 is a rear elevation view thereof.

FIG. 7 is a front perspective view thereof.

FIG. 8 is a rear perspective view thereof; and,

FIG. 9 is a front perspective view thereof in a folded condition.

1 Claim, 4 Drawing Sheets

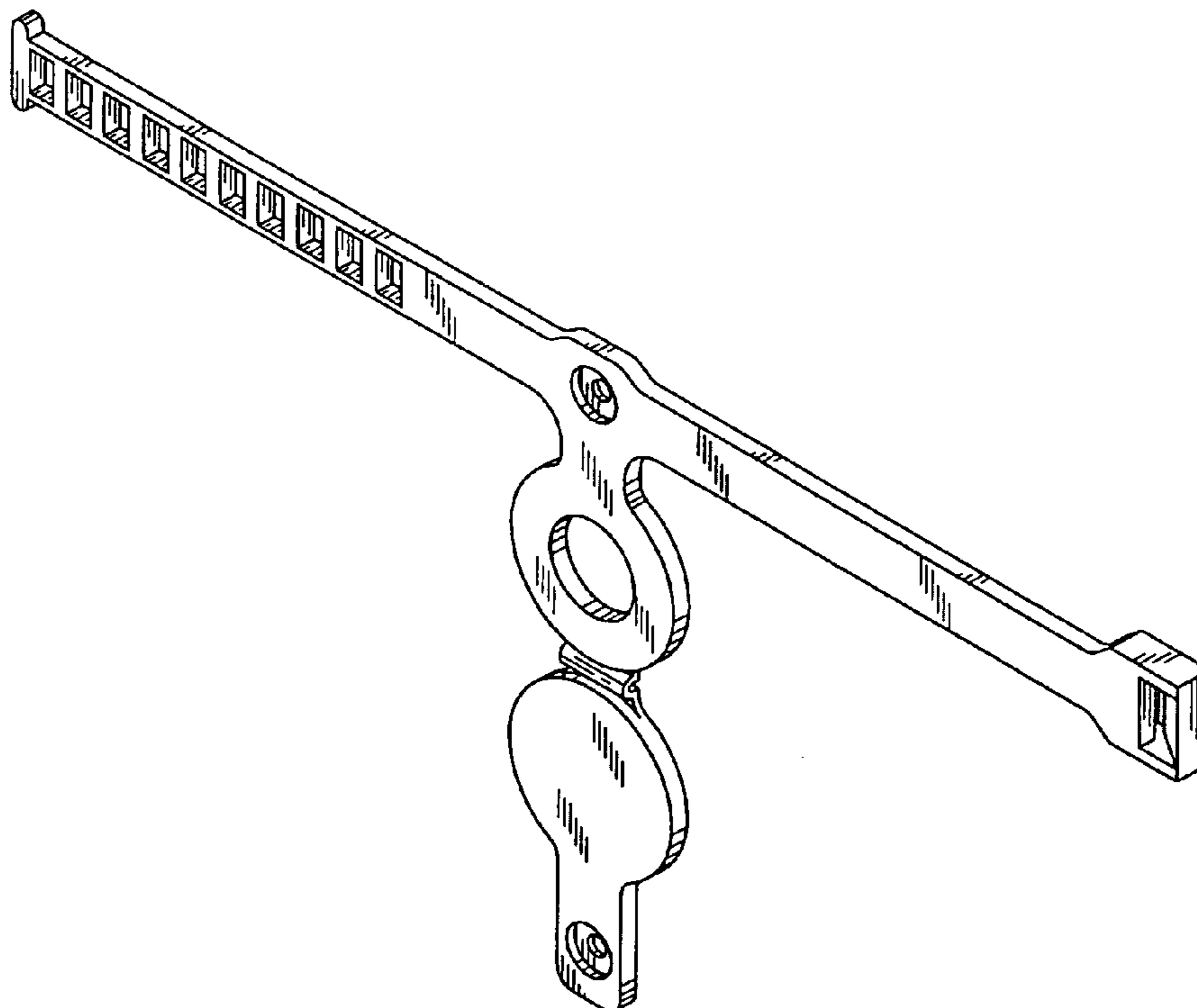


FIG. 1

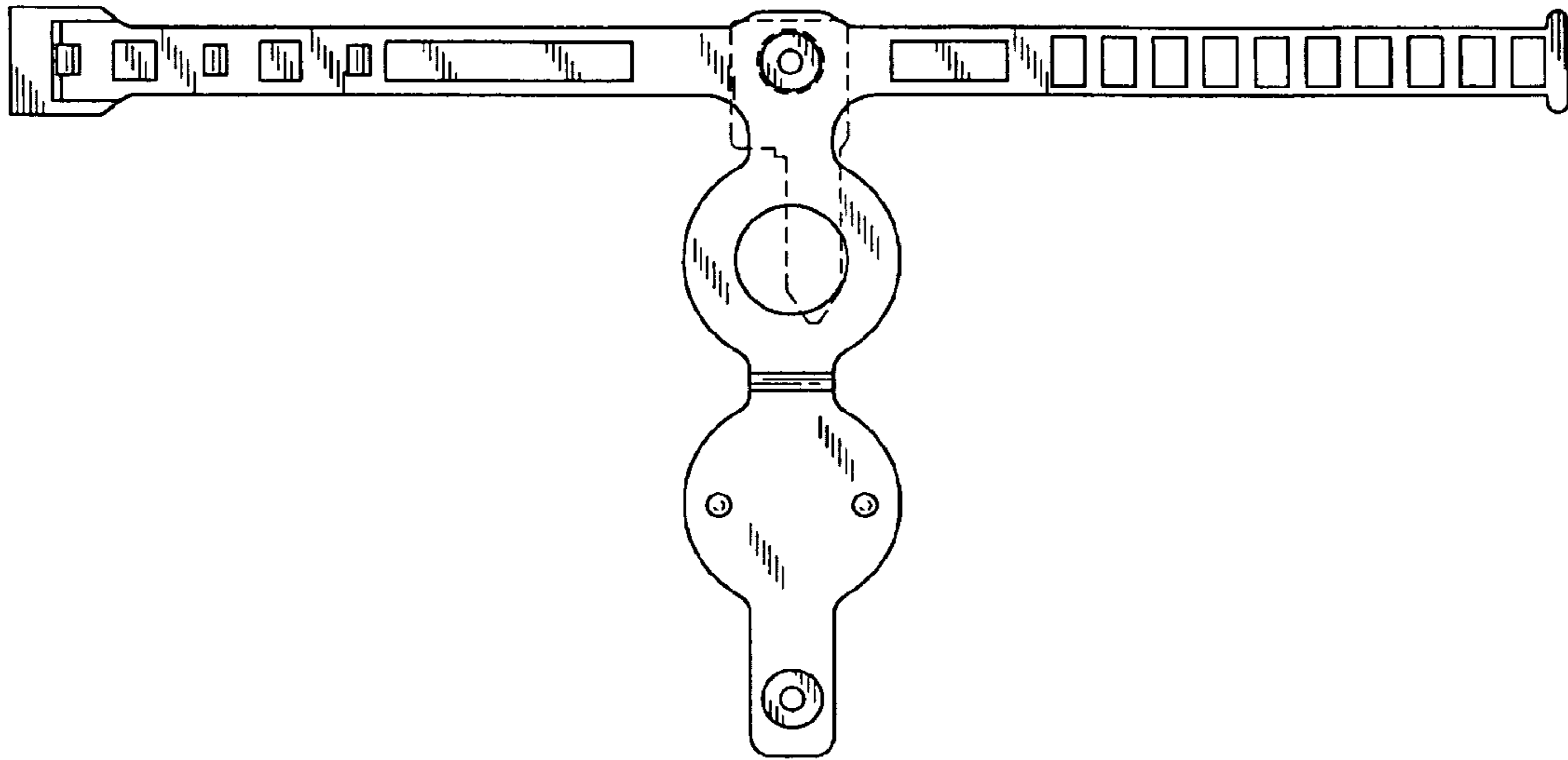


FIG. 2



FIG. 3



FIG. 4



FIG. 5



FIG. 6

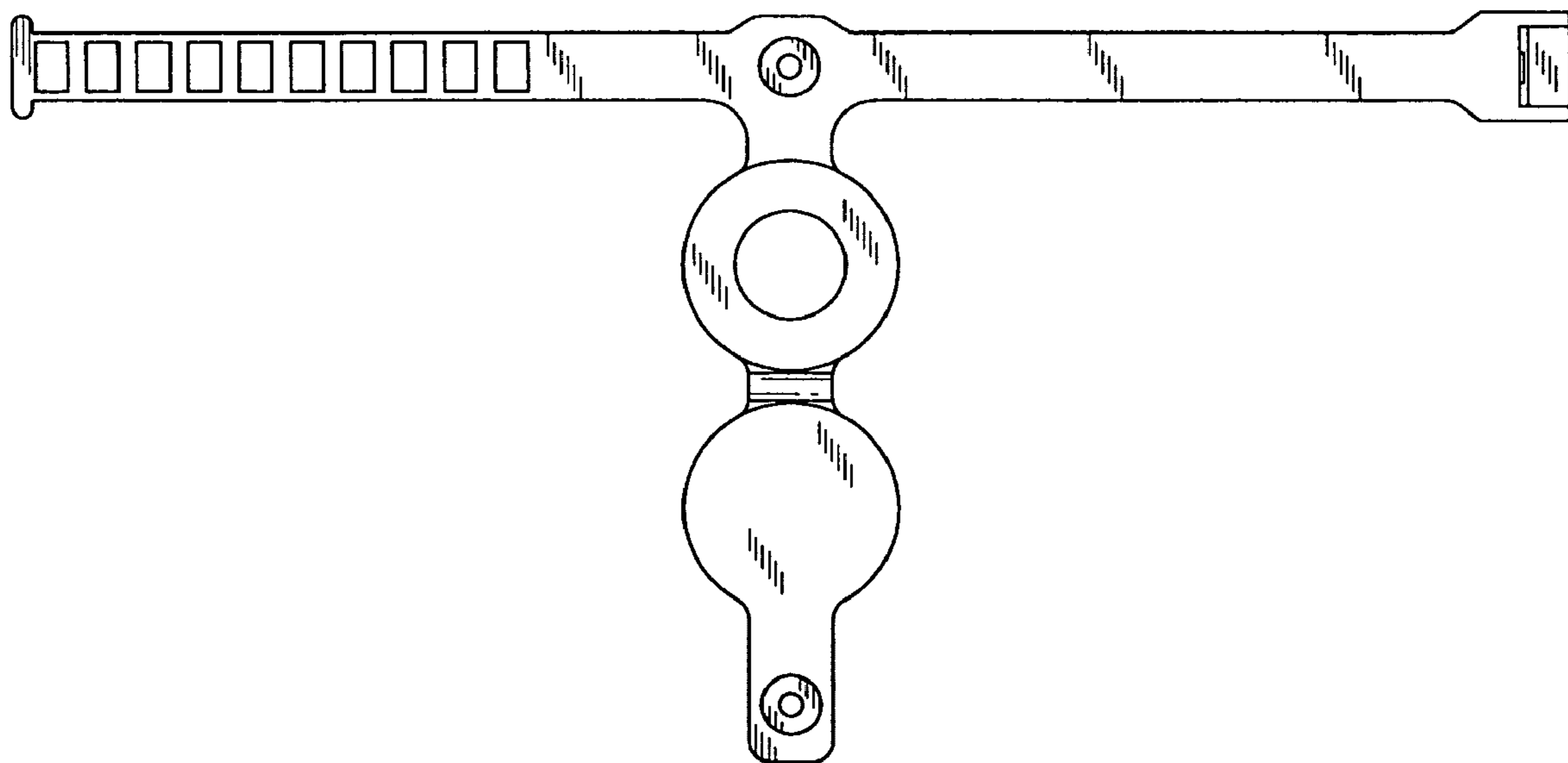


FIG. 7

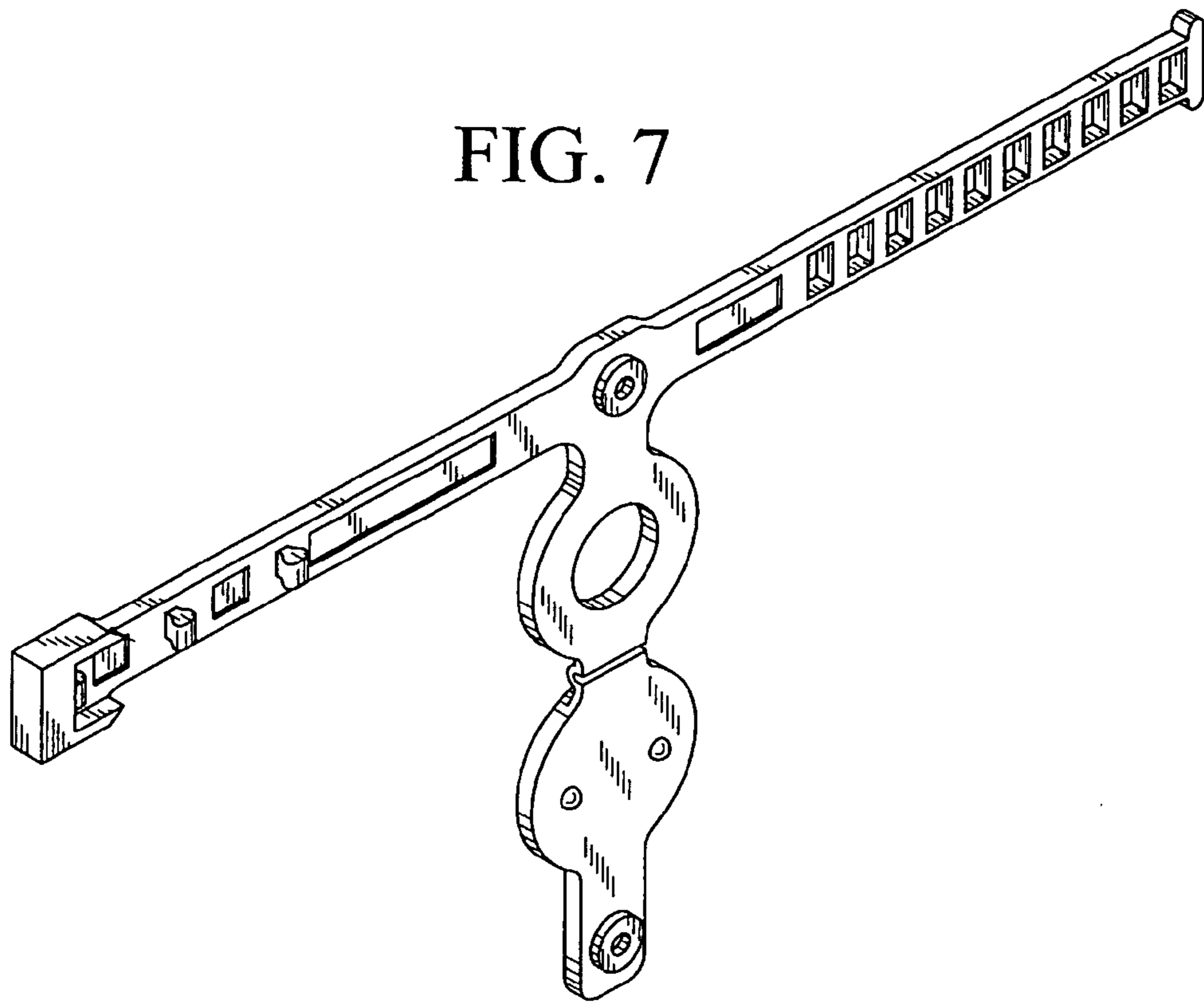


FIG. 8

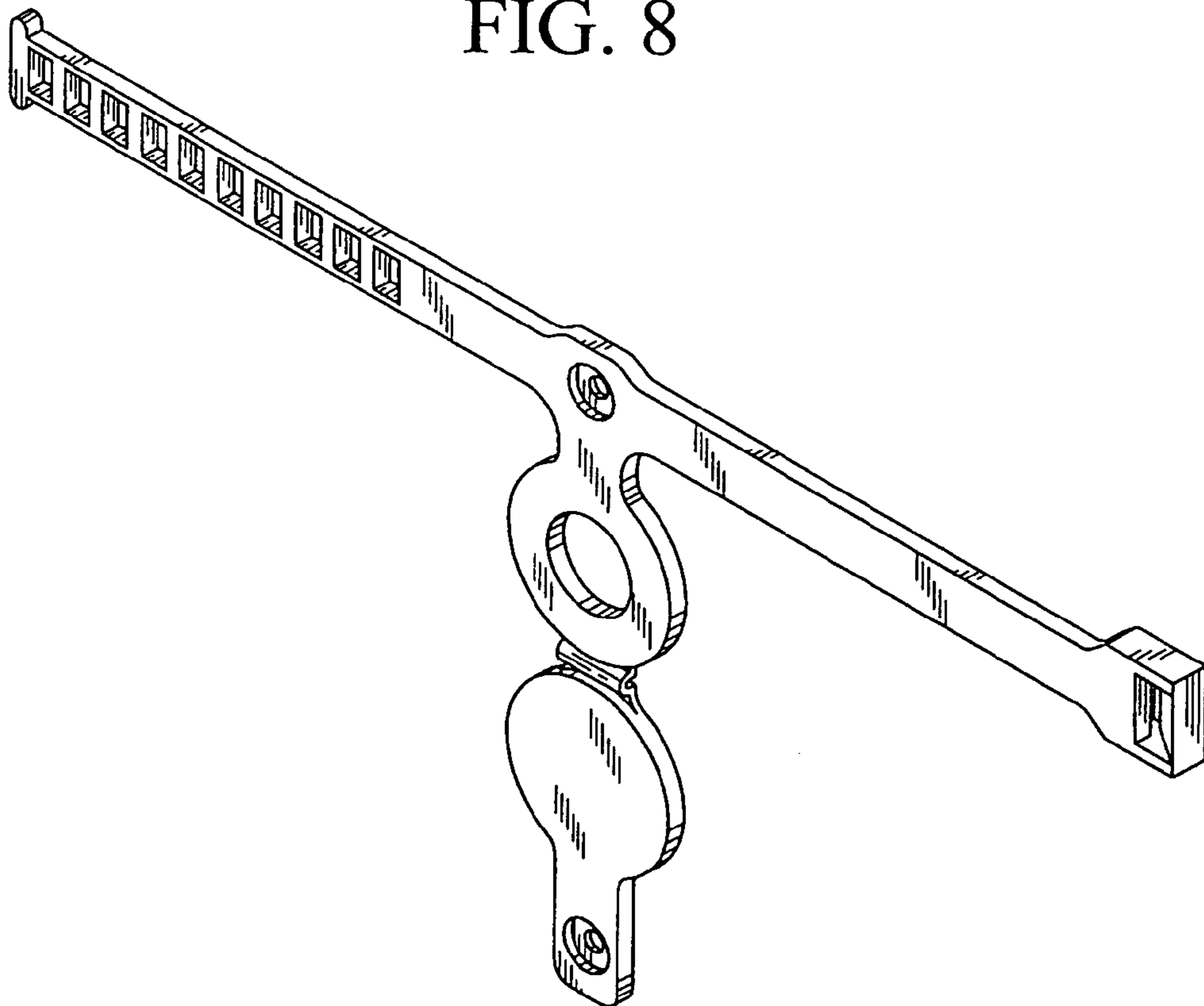


FIG. 9

