



US00D604028S

(12) **United States Design Patent**
McCluhan

(10) **Patent No.:** **US D604,028 S**

(45) **Date of Patent:** **** Nov. 17, 2009**

(54) **COMPONENT OF A BRACELET CONNECTION TOOL**

7,284,684 B1 * 10/2007 Gharavi 223/111
2004/0124323 A1 * 7/2004 Kamenstein 248/121

(76) Inventor: **John McCluhan**, 401 Sibley St., Suite A102, St. Paul, MN (US) 55101

* cited by examiner

(**) Term: **14 Years**

Primary Examiner—T. Chase Nelson
Assistant Examiner—Kathleen M Sims
(74) *Attorney, Agent, or Firm*—Merchant & Gould P.C.

(21) Appl. No.: **29/307,198**

(57) **CLAIM**

(22) Filed: **Apr. 4, 2008**

The ornamental design for the component of a bracelet connection tool, as shown and described.

(51) **LOC (9) Cl.** **07-99**

(52) **U.S. Cl.** **D2/641**

(58) **Field of Classification Search** D2/641;
D11/87; 248/121; 223/111, DIG. 2; 24/521,
24/526

DESCRIPTION

See application file for complete search history.

FIG. 1 is a perspective view of a component of a bracelet connection tool showing my new design;

FIG. 2 is a left side elevational view, the right side being a mirror image thereof;

(56) **References Cited**

U.S. PATENT DOCUMENTS

2,898,890	A *	8/1959	Lynott	91/51
2,926,875	A	3/1960	Hoye		
3,936,156	A	2/1976	Shaw et al.		
4,734,973	A *	4/1988	Longo et al.	29/428
4,779,312	A *	10/1988	Carlson	24/3.2
D323,132	S	1/1992	Grennan		
5,405,066	A	4/1995	Fakier		
D385,212	S	10/1997	Rychlik et al.		
D387,253	S	12/1997	Fakier		
5,785,217	A	7/1998	Gorham, Jr.		
5,899,369	A	5/1999	Macripo		
5,934,526	A	8/1999	Rosenbaum et al.		
6,036,065	A	3/2000	Wofford et al.		
6,095,346	A	8/2000	Idelberger		
6,112,958	A	9/2000	LaMacchia et al.		
6,484,910	B1	11/2002	Korkos		

FIG. 3 is a front elevational view thereof;

FIG. 4 is a rear elevational view thereof;

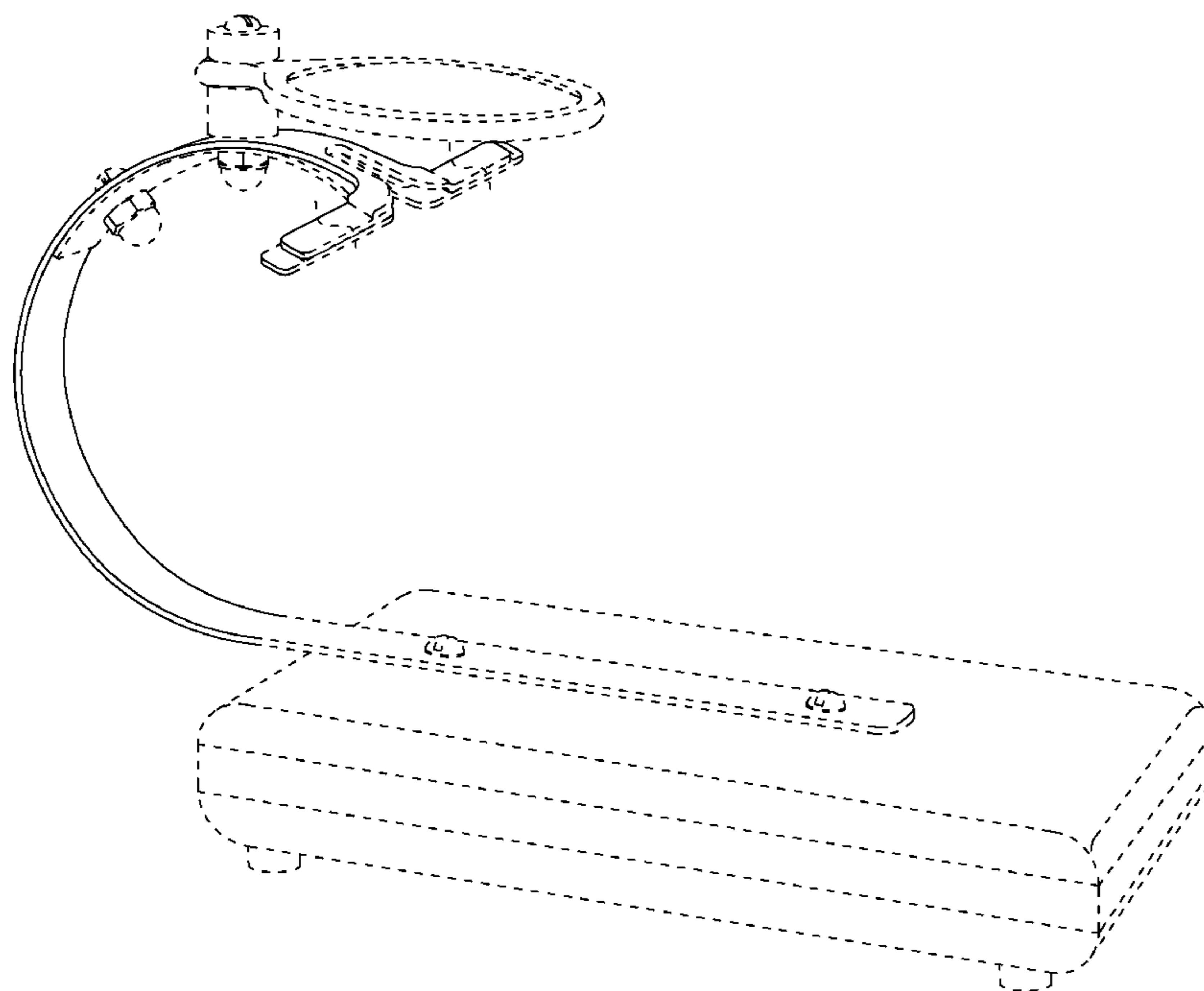
FIG. 5 is a top plan view thereof; and,

FIG. 6 is a bottom plan view thereof.

The broken line showing of a magnifier, base, and hardware in FIGS. 1–6 is included for the purpose of showing environmental portions of the bracelet connection tool and forms no part of the claimed design. The broken lines adjacent to the structure that is claimed depict boundaries of the claimed design.

The wavy lines shown in FIGS. 1, 3, 4, and 5 are for the purpose of indicating that a specific length of these components forms no part of the claimed design.

1 Claim, 6 Drawing Sheets



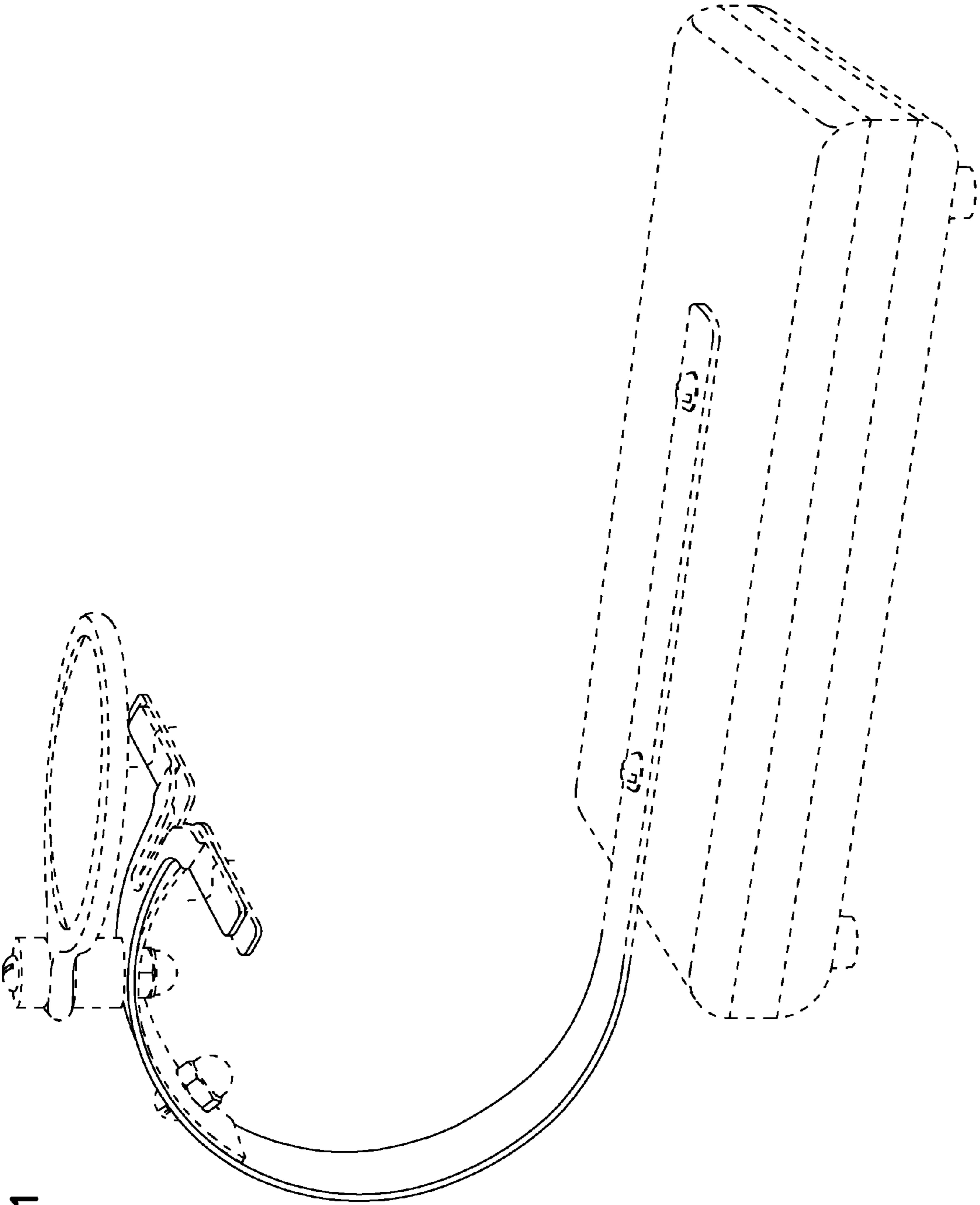


FIG. 1

FIG. 2

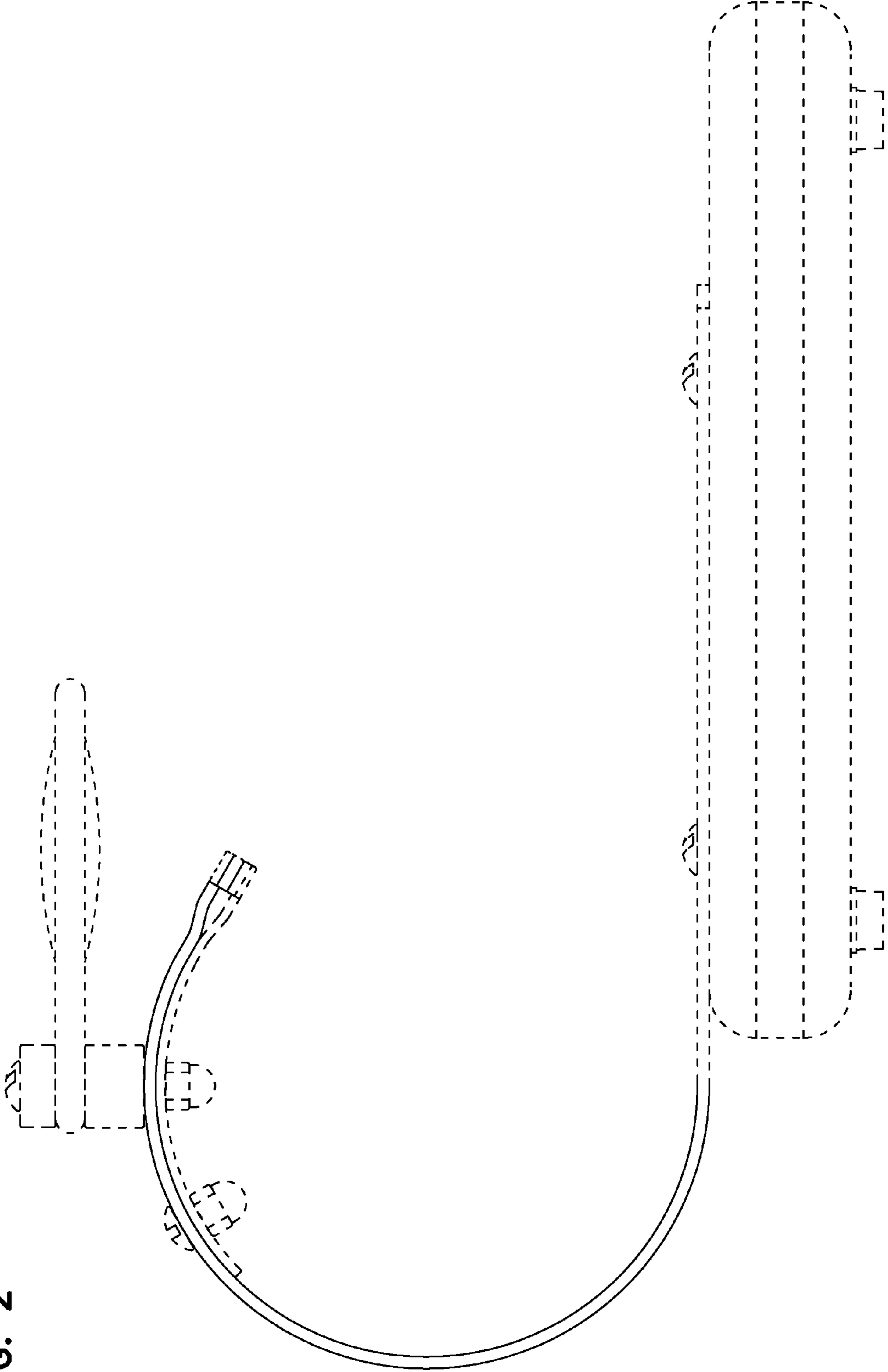


FIG. 3

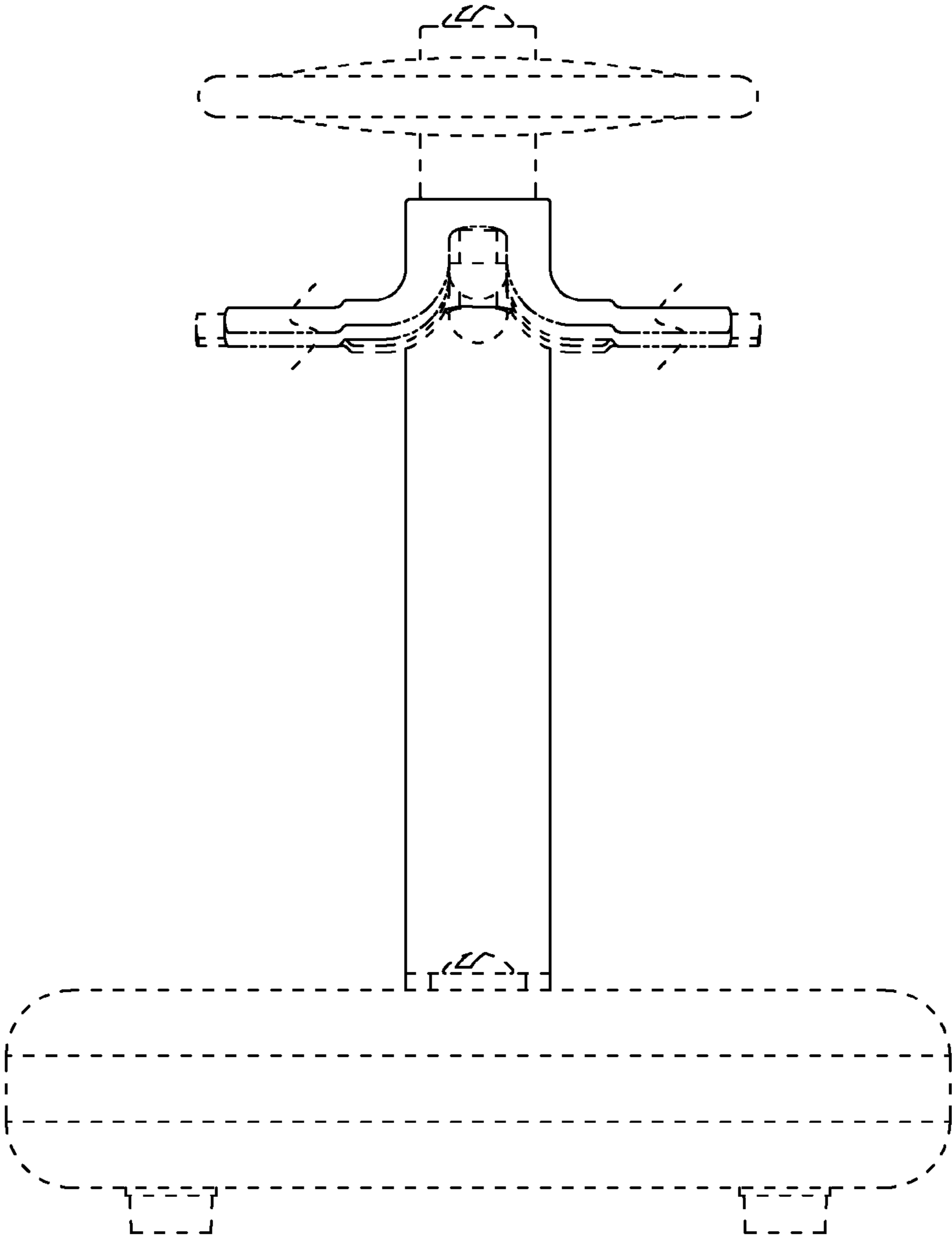
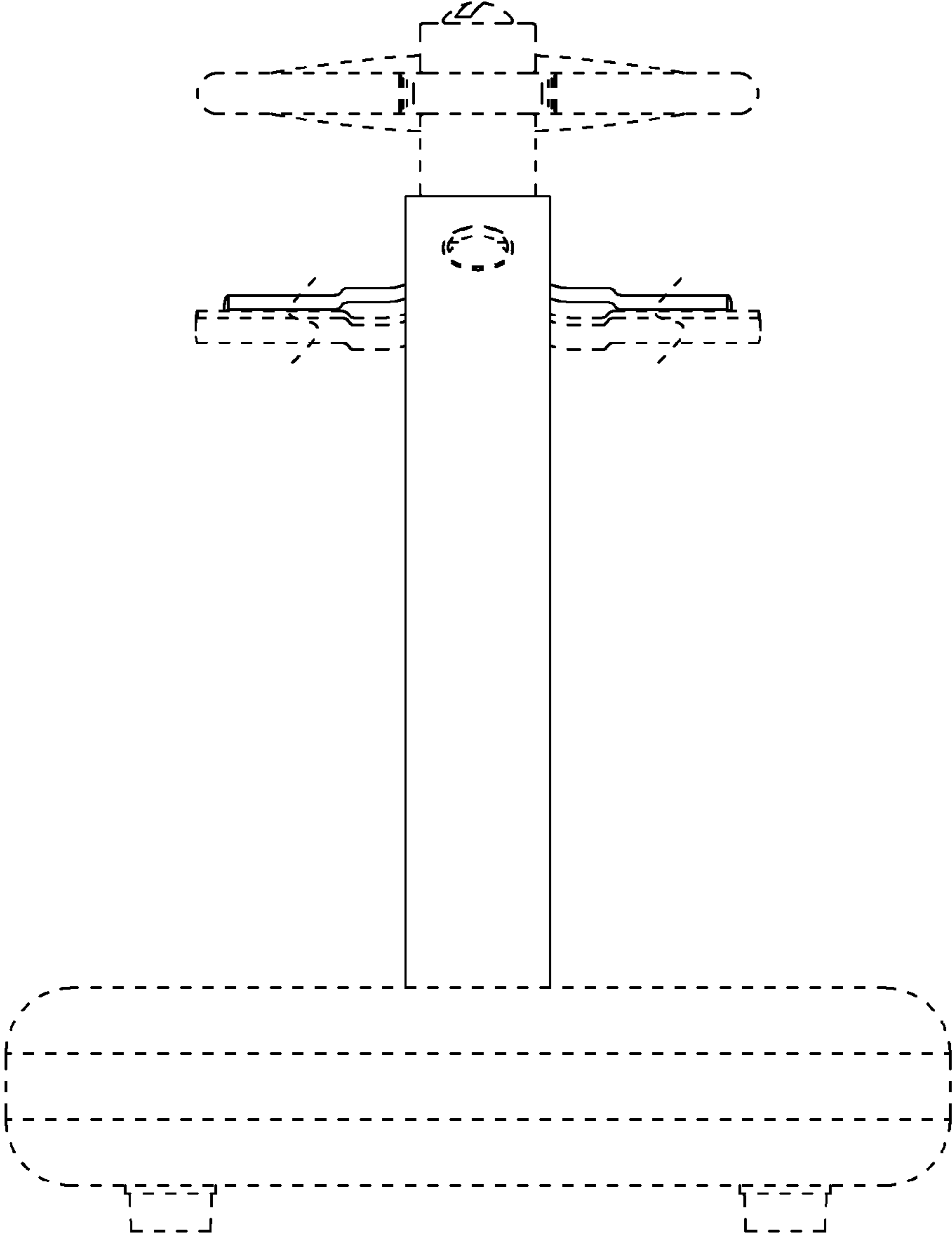


FIG. 4



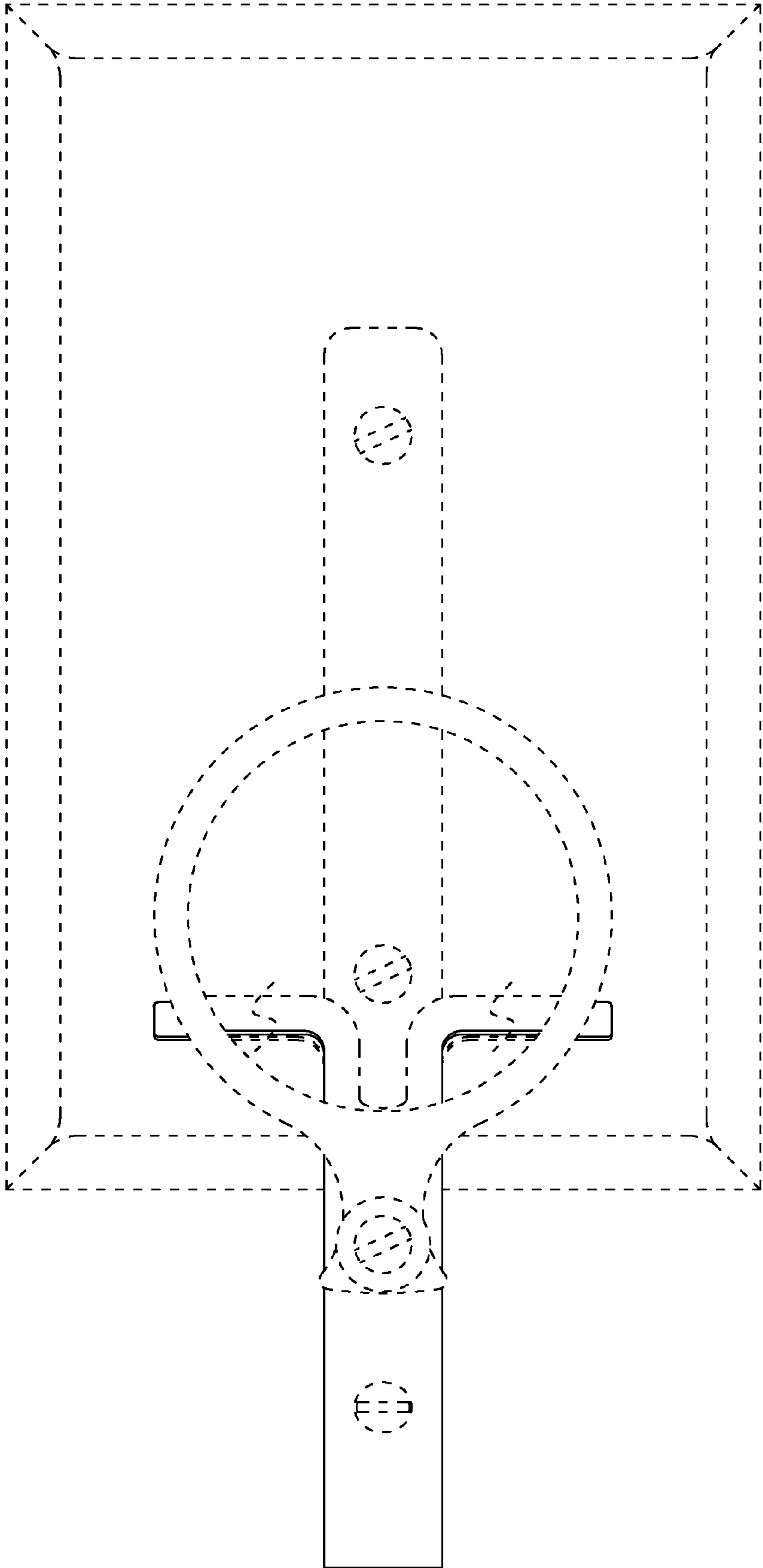


FIG. 5

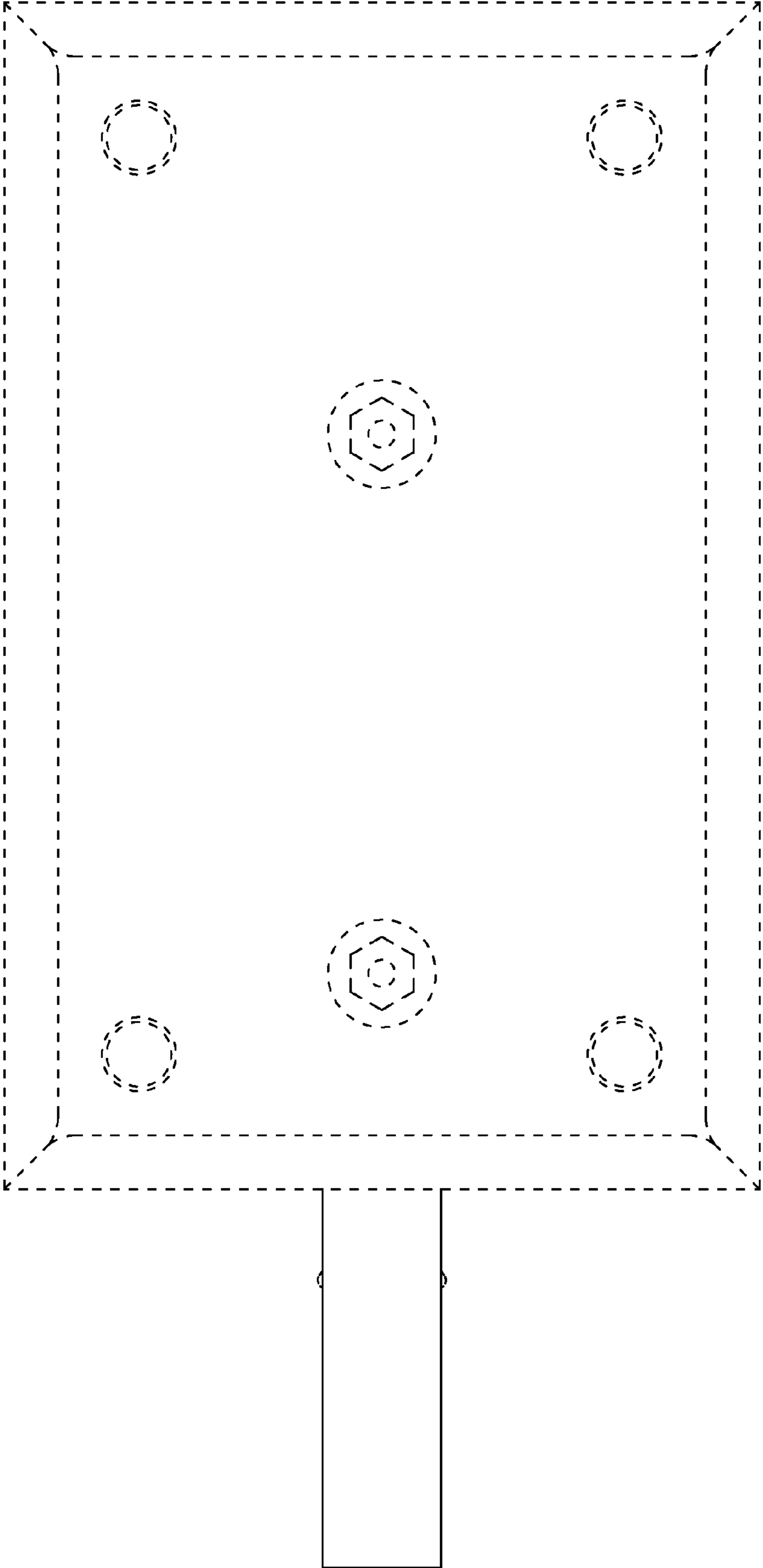


FIG. 6