



US00D604023S

(12) **United States Design Patent**  
**Ogle**

(10) **Patent No.:** **US D604,023 S**

(45) **Date of Patent:** **\*\* Nov. 10, 2009**

(54) **DRYWALL CART**

(76) **Inventor:** **Larry Ray Ogle**, P.O. Box 36,  
Watertown, TN (US) 37184

(\*\*) **Term:** **14 Years**

(21) **Appl. No.:** **29/334,442**

(22) **Filed:** **Mar. 26, 2009**

(51) **LOC (9) Cl.** ..... **12-02**

(52) **U.S. Cl.** ..... **D34/20**

(58) **Field of Classification Search** ..... D34/12-27,  
D34/28; 280/43.17, 79.3, 79.11, 79.1, 651,  
280/47.13, 47.19, 47.35, 79.4, 47.34, 47.24

See application file for complete search history.

(56) **References Cited**

**U.S. PATENT DOCUMENTS**

2,174,870	A *	10/1939	Daniels	.....	211/28
D201,547	S *	7/1965	Krueger	.....	D34/26
3,705,731	A *	12/1972	Berchak	.....	280/651
4,523,768	A *	6/1985	Dlubala	.....	280/42
D288,739	S *	3/1987	Johnson et al.	.....	D34/17
D439,719	S *	3/2001	Kleinschmidt	.....	D34/17

D473,990	S *	4/2003	Hittle	.....	D34/18
D530,876	S *	10/2006	Wyse	.....	D34/17
D581,123	S *	11/2008	Henderson	.....	D34/12
D588,322	S *	3/2009	Tilk et al.	.....	D34/20

\* cited by examiner

*Primary Examiner*—Cynthia E Ramirez

(74) *Attorney, Agent, or Firm*—James Addison Barry, Jr.

(57) **CLAIM**

The ornamental design for a drywall cart, as shown and described.

**DESCRIPTION**

FIG. 1 is a perspective view of the drywall cart showing the new design;

FIG. 2 is a front elevation view of the drywall cart;

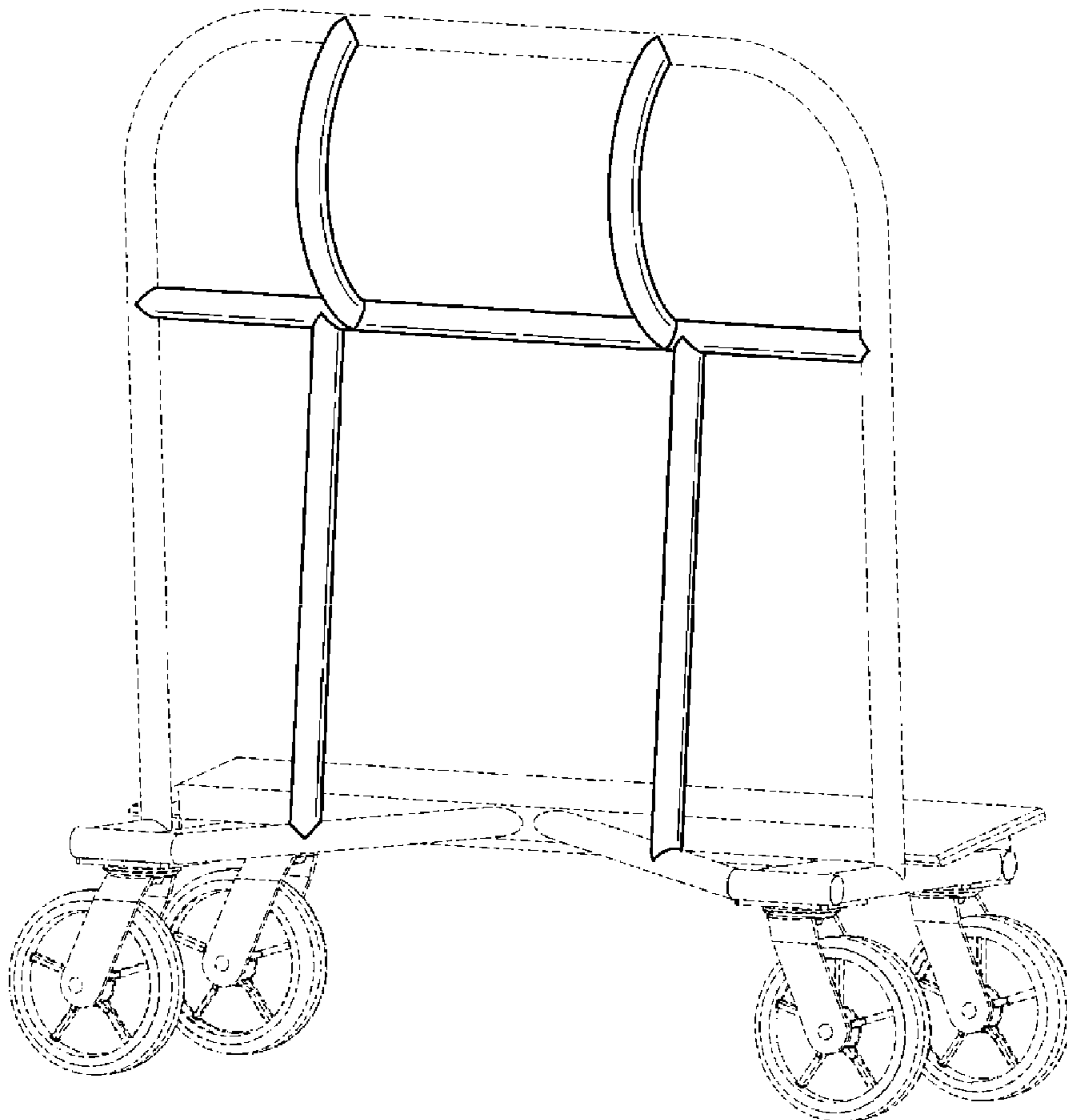
FIG. 3 is a rear elevation view of the drywall cart;

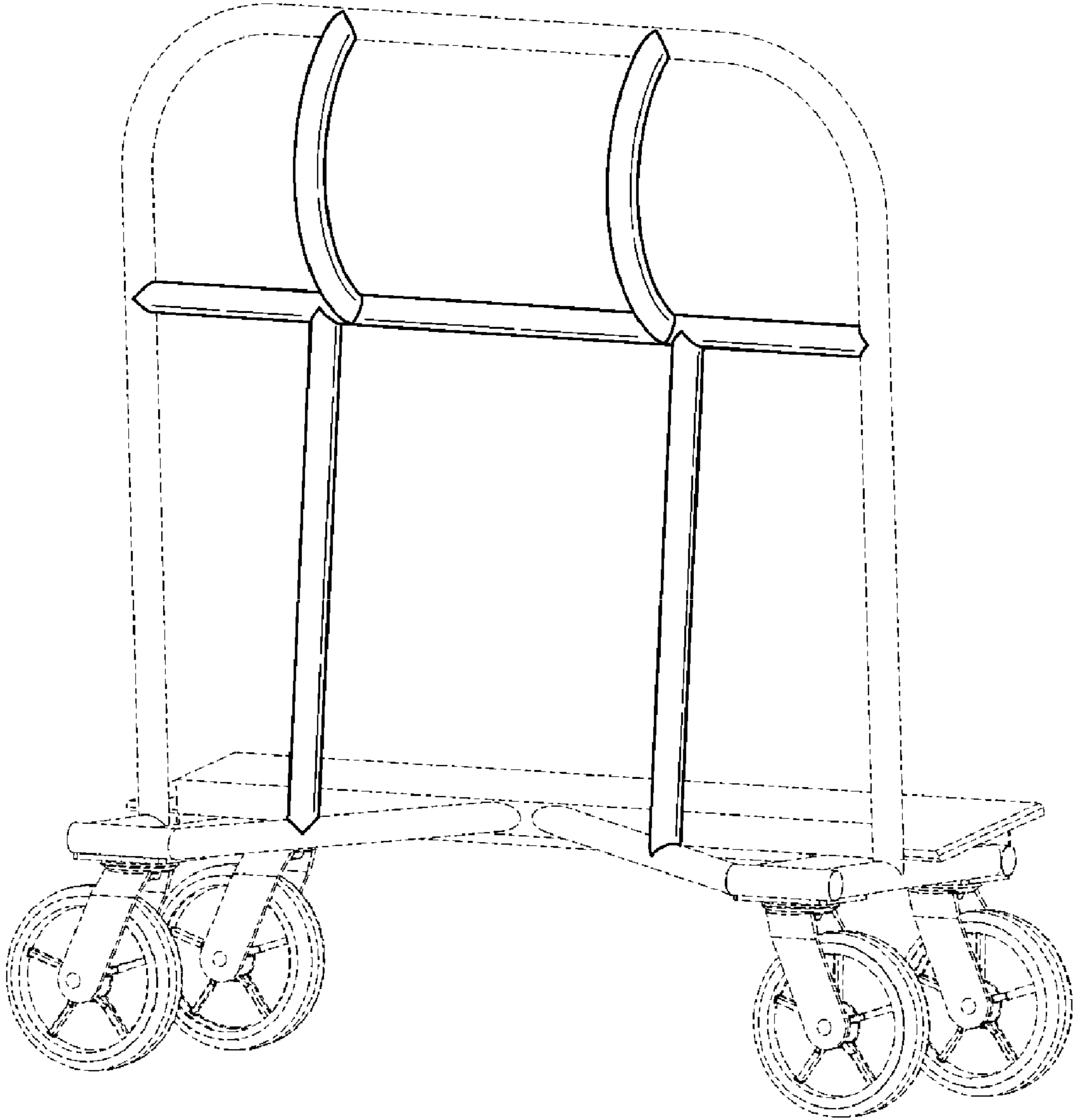
FIG. 4 is a side elevation view of drywall cart;

FIG. 5 is an top plan view of the drywall cart; and,

FIG. 6 is a bottom plan view of the drywall cart.

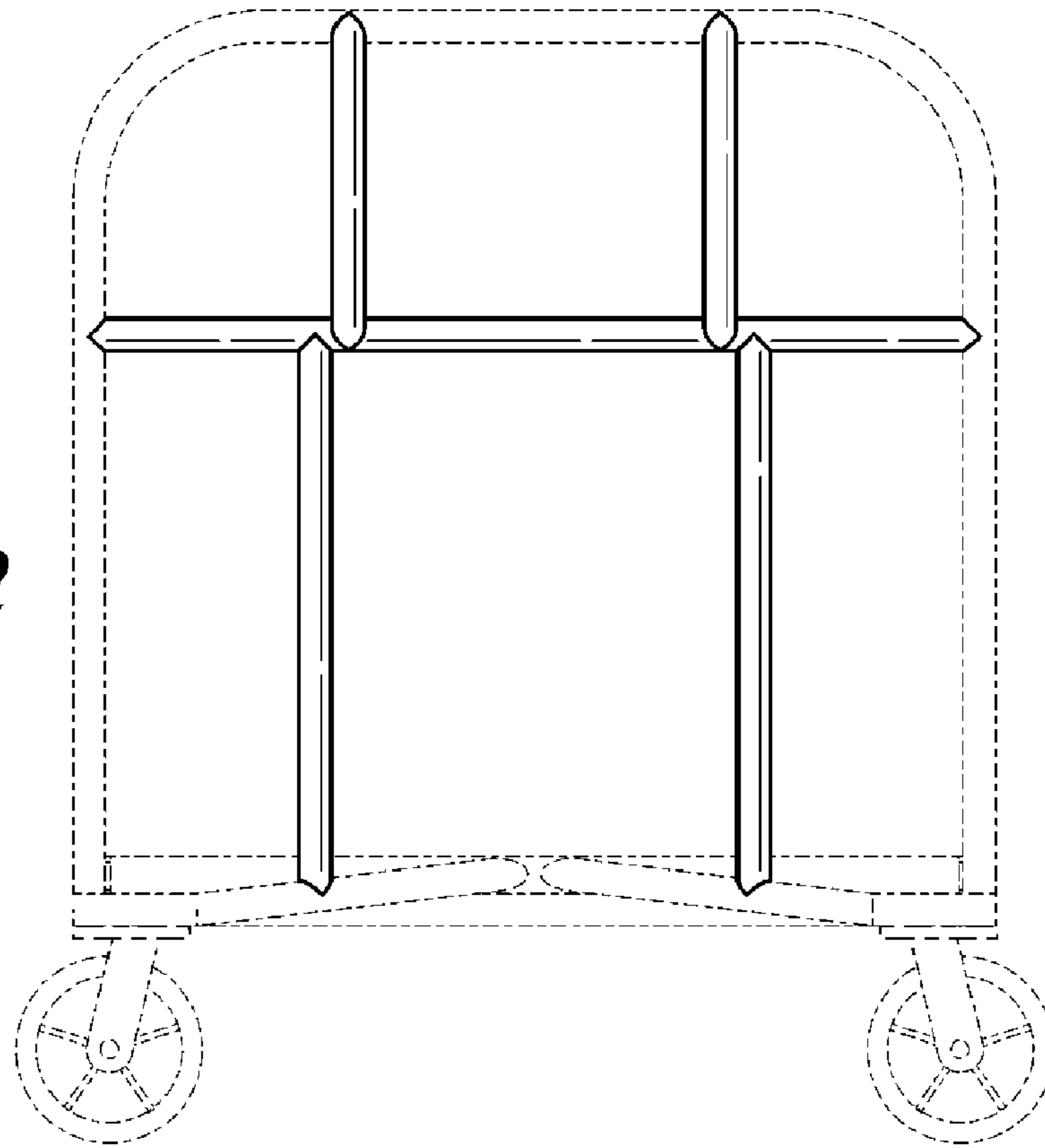
**1 Claim, 3 Drawing Sheets**



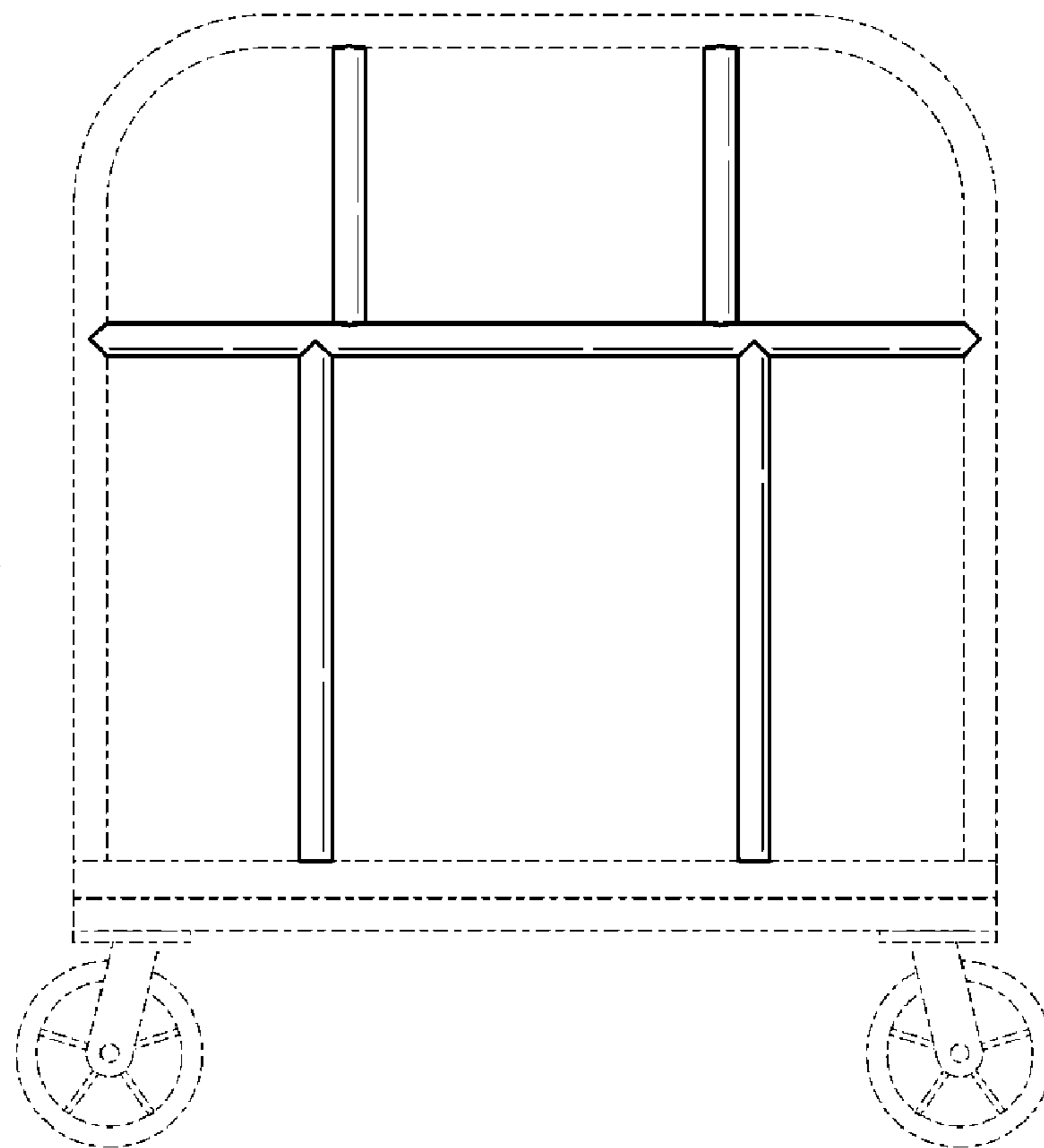


*FIG. 1*

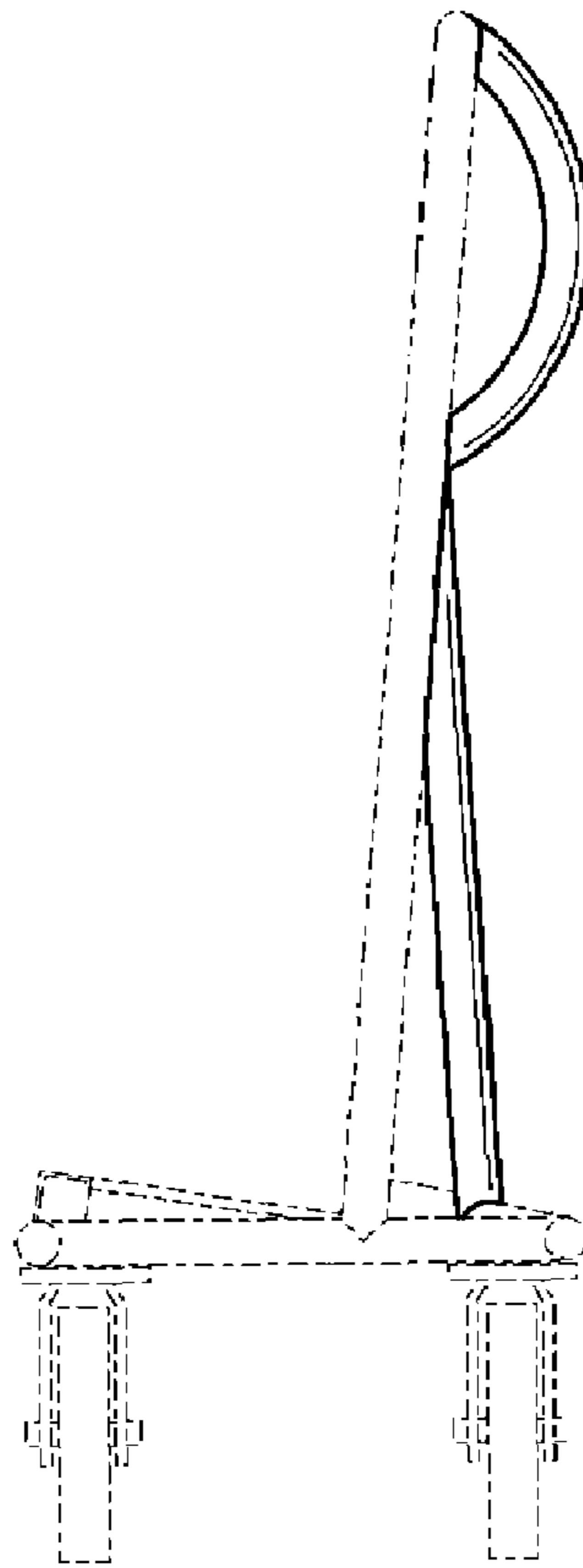
*FIG. 2*



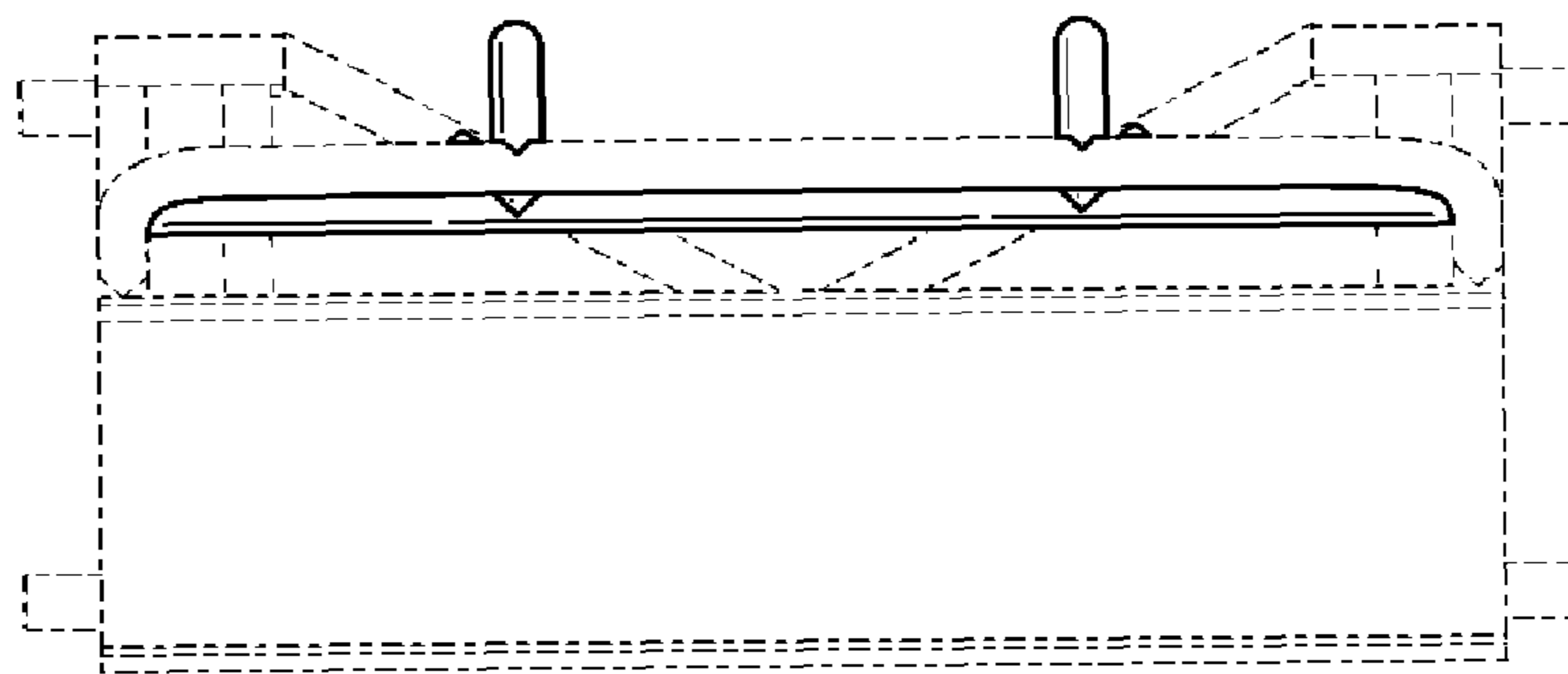
*FIG. 3*



*FIG. 4*



*FIG. 5*



*FIG. 6*

