



US00D604021S

(12) **United States Design Patent**
Blaszczak et al.

(10) **Patent No.:** **US D604,021 S**
(45) **Date of Patent:** **** Nov. 10, 2009**

(54) **HOSE REEL**

(75) Inventors: **Greg Blaszczak**, Hummelstown, PA (US); **Karen S. Richwine**, Mechanicsburg, PA (US); **Peter Arcati**, Dillsburg, PA (US)

(73) Assignee: **Ames True Temper, Inc.**, Camp Hill, PA (US)

(**) Term: **14 Years**

(21) Appl. No.: **29/340,004**

(22) Filed: **Jul. 13, 2009**

(51) **LOC (9) Cl.** **12-02**

(52) **U.S. Cl.** **D34/14**

(58) **Field of Classification Search** D34/12-14, D34/19-21, 24; 280/33.991, 33.992, 33.994, 280/47.18, 47.26, 47.34; D8/359
See application file for complete search history.

(56) **References Cited**

U.S. PATENT DOCUMENTS

4,137,939	A *	2/1979	Chow	137/355.27
4,512,361	A *	4/1985	Tisbo et al.	137/355.27
4,706,906	A *	11/1987	Roman et al.	242/401
D294,456	S *	3/1988	Nelson	D8/359
4,768,546	A *	9/1988	Brusadin et al.	137/355.27
D303,446	S *	9/1989	Kitts et al.	D34/26
4,974,627	A *	12/1990	Nelson	137/355.27

5,007,598	A *	4/1991	Spear et al.	242/403.1
D330,847	S *	11/1992	Clivio	D8/359
D341,240	S *	11/1993	Roman	D34/24
D503,837	S *	4/2005	Alkalay	D34/14
D547,021	S *	7/2007	Stein	D34/17
D570,573	S *	6/2008	Arcati et al.	D34/24

* cited by examiner

Primary Examiner—Cynthia E Ramirez

(74) *Attorney, Agent, or Firm*—Eckert Seamans Cherin & Mellot, LLC; David C. Jenkins, Esquire

(57) **CLAIM**

The ornamental design for a hose reel, as shown and described.

DESCRIPTION

FIG. 1 is an isometric view of the hose reel;

FIG. 2 is a front view of the hose reel;

FIG. 3 is a back view of the hose reel;

FIG. 4 is a top view of the hose reel;

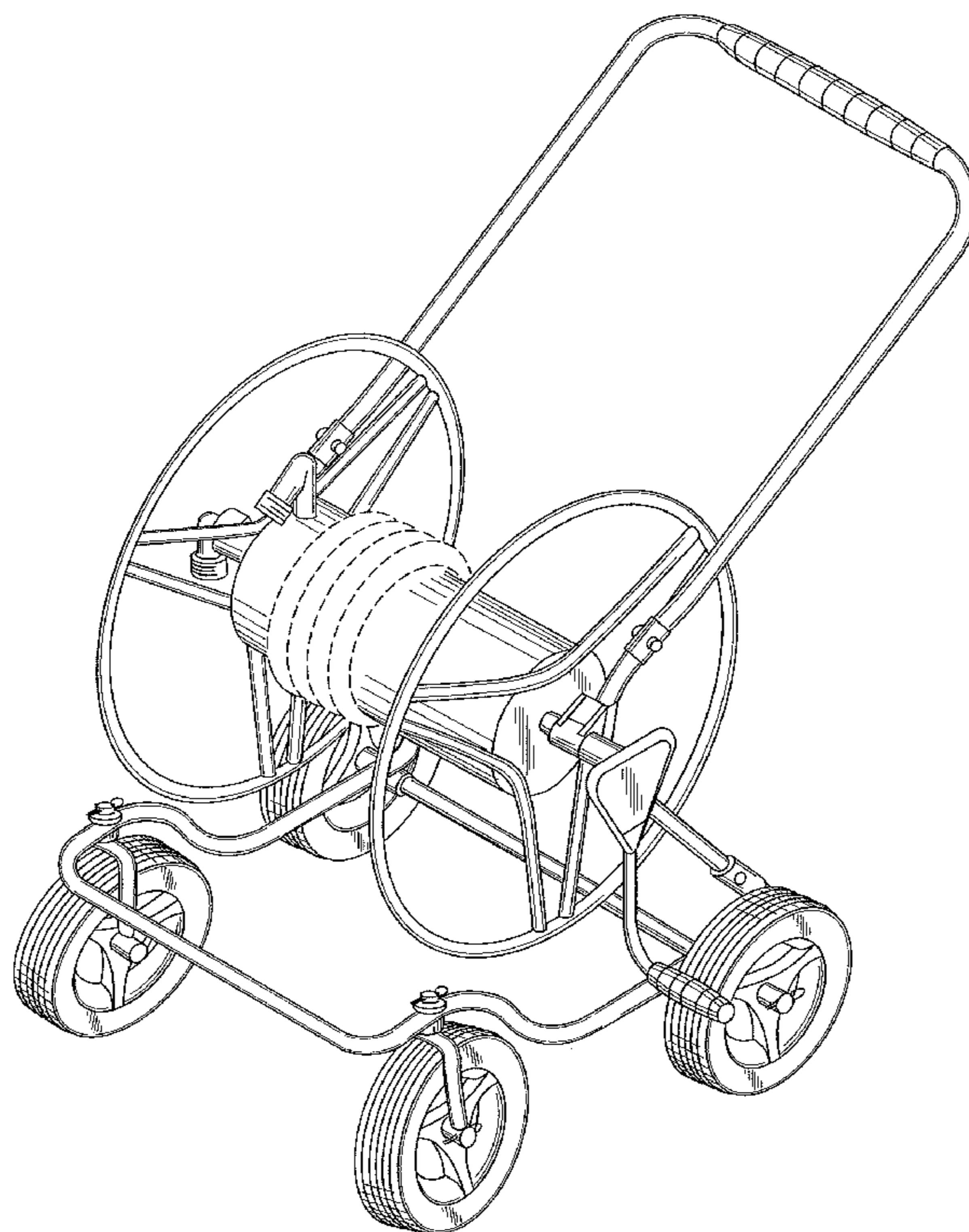
FIG. 5 is a bottom view of the hose reel;

FIG. 6 is a left side view of the hose reel; and,

FIG. 7 is a right side view of the hose reel.

It is noted that the phantom lines depicted in the figures are intended for the purposes of illustration only and are not a part of the design.

1 Claim, 7 Drawing Sheets



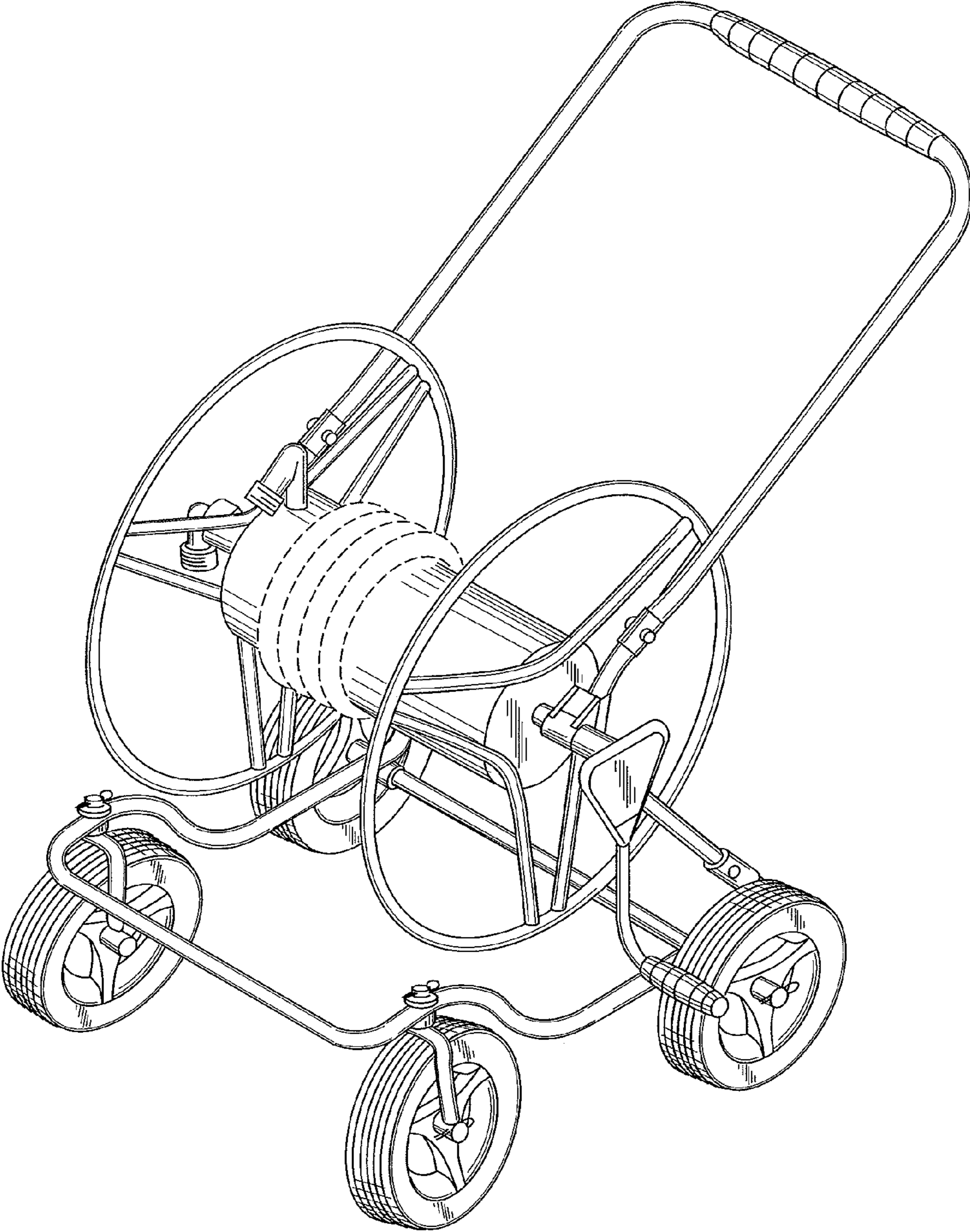


FIG. 1

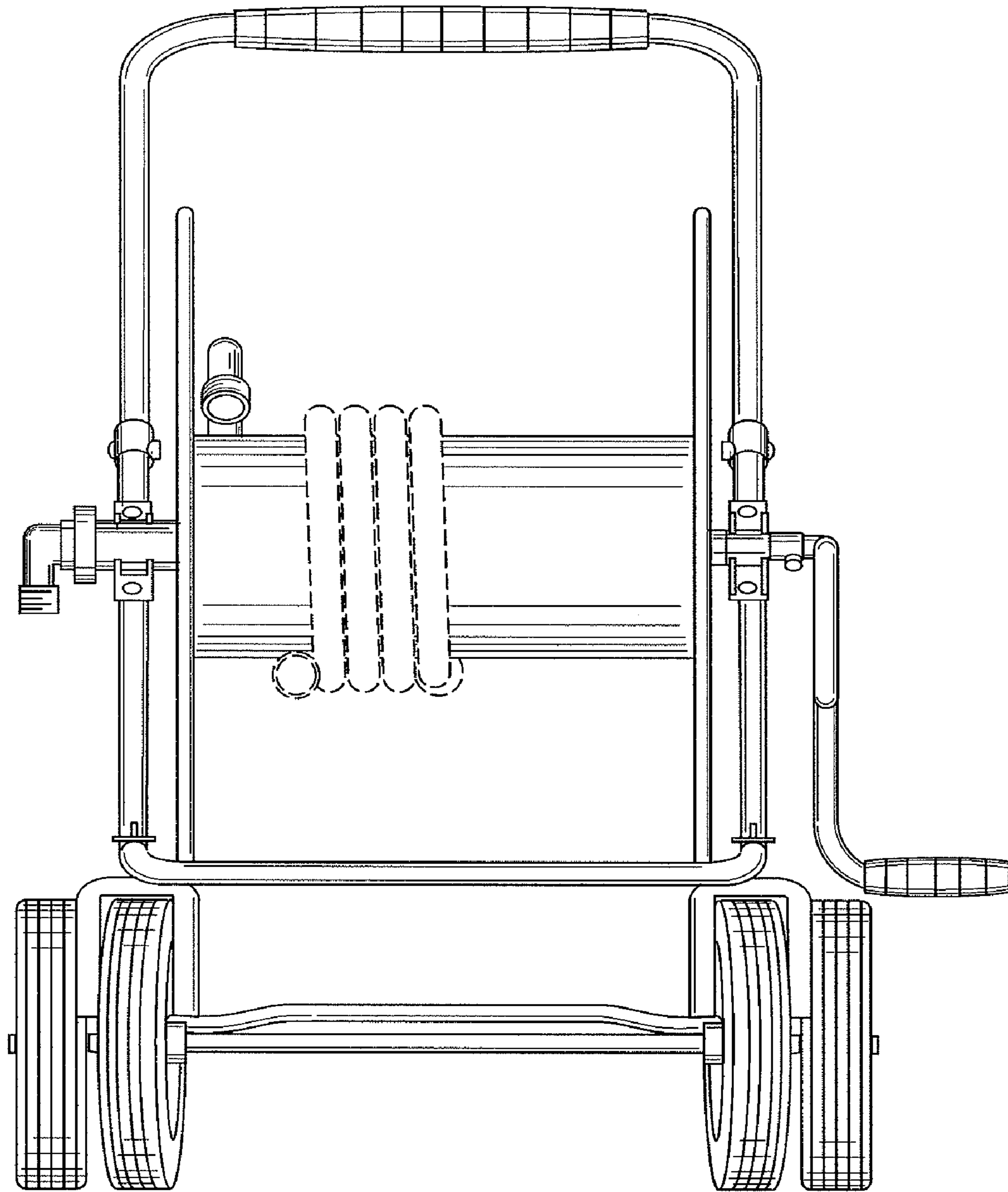


FIG. 2

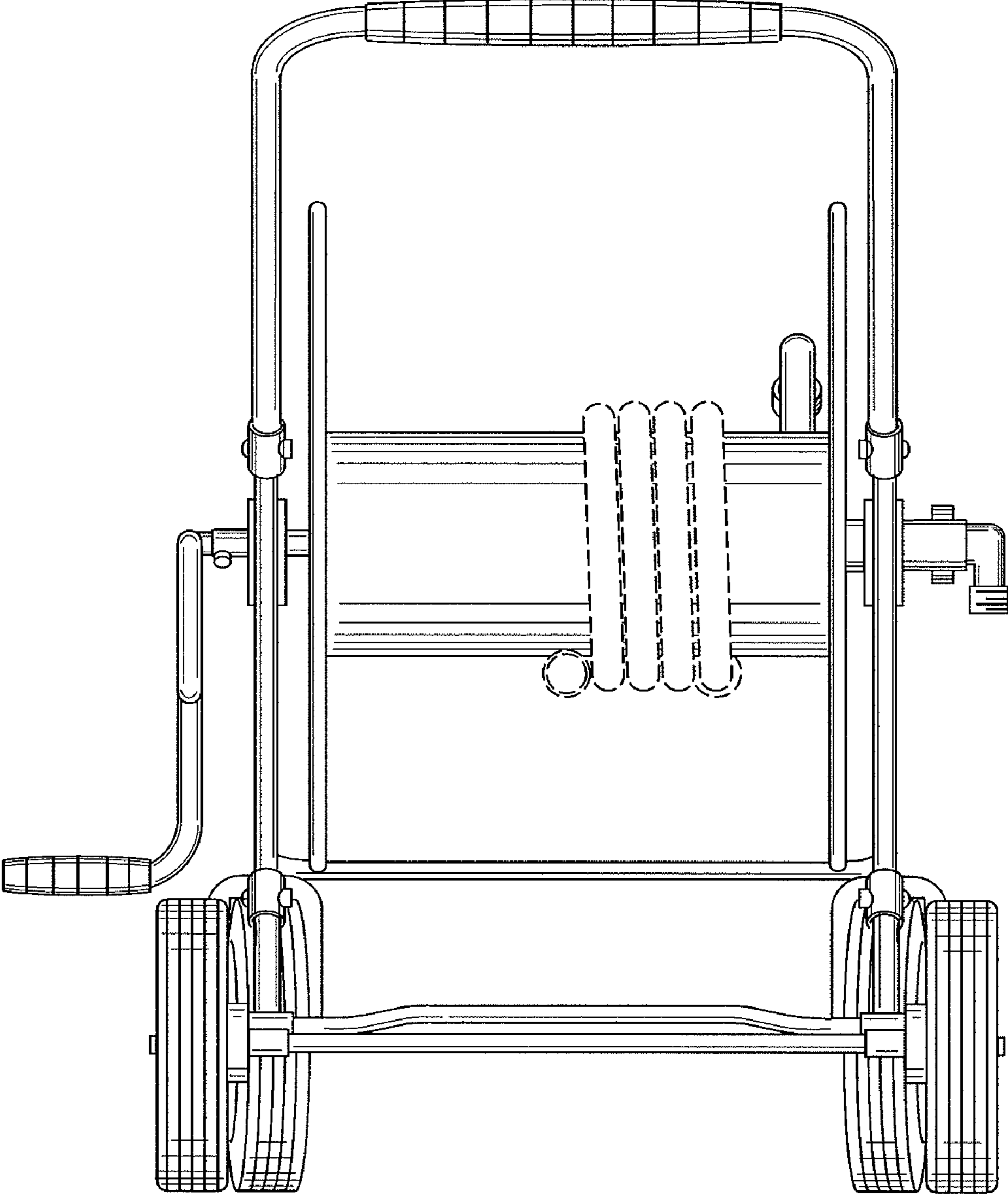


FIG. 3

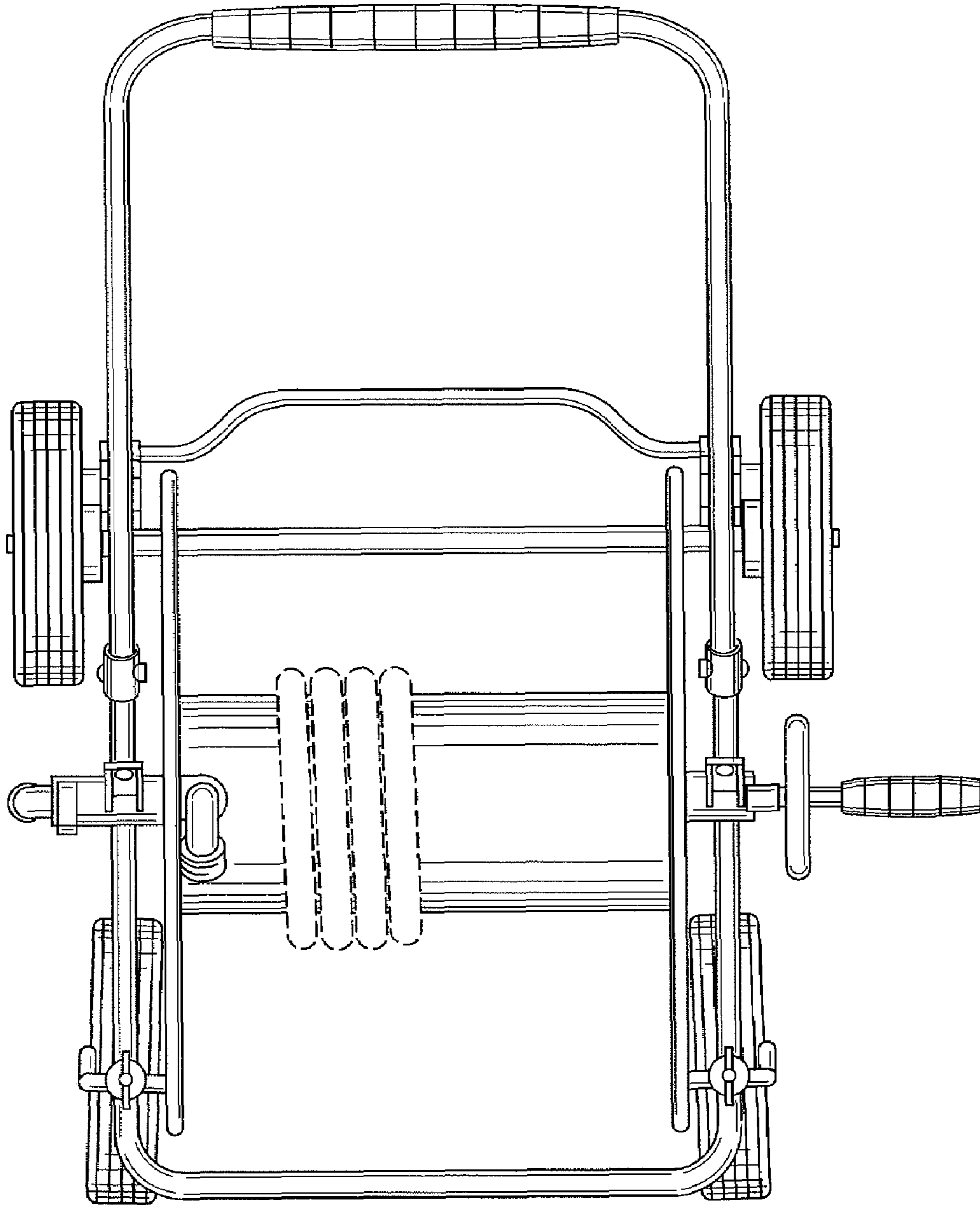


FIG. 4

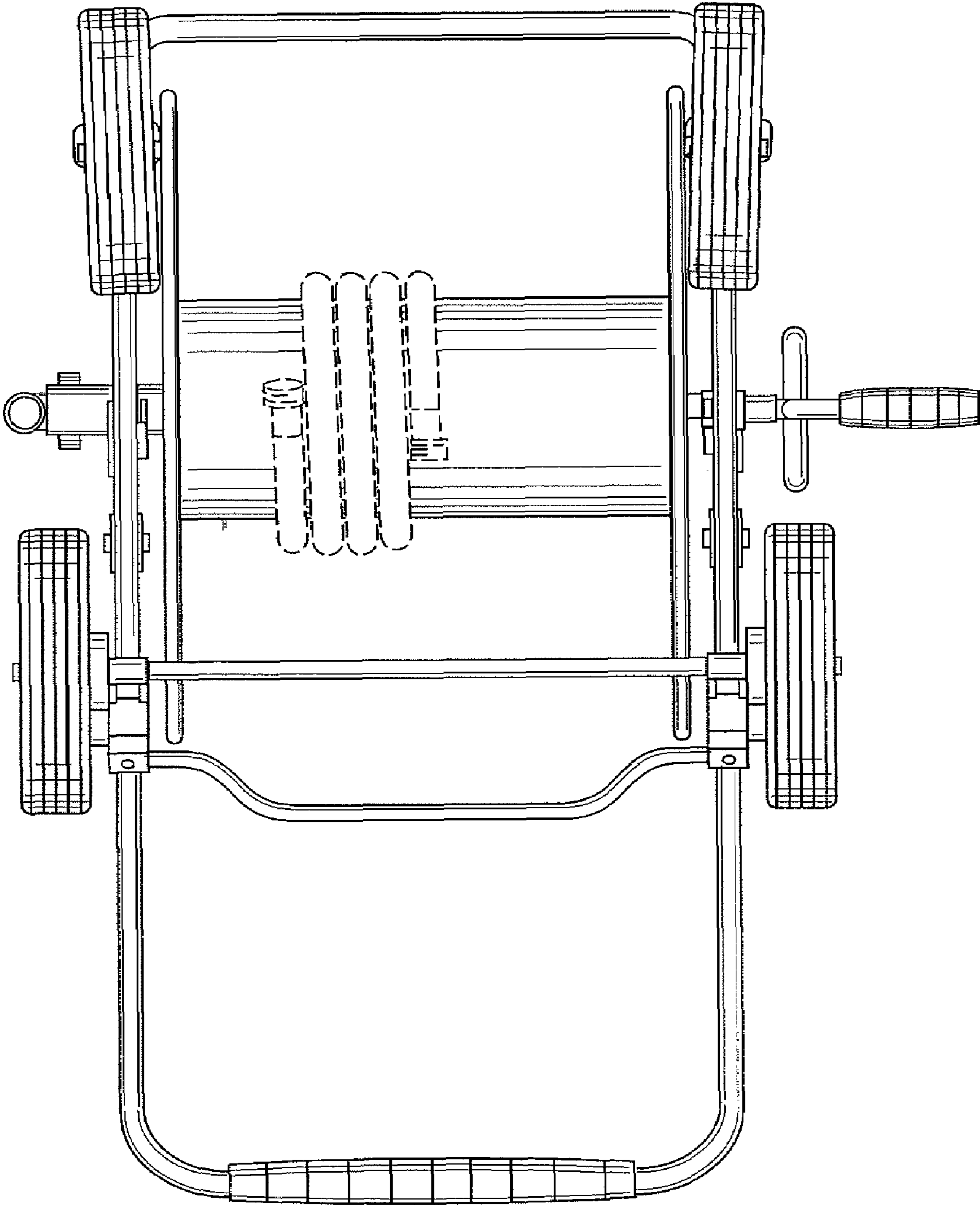


FIG. 5

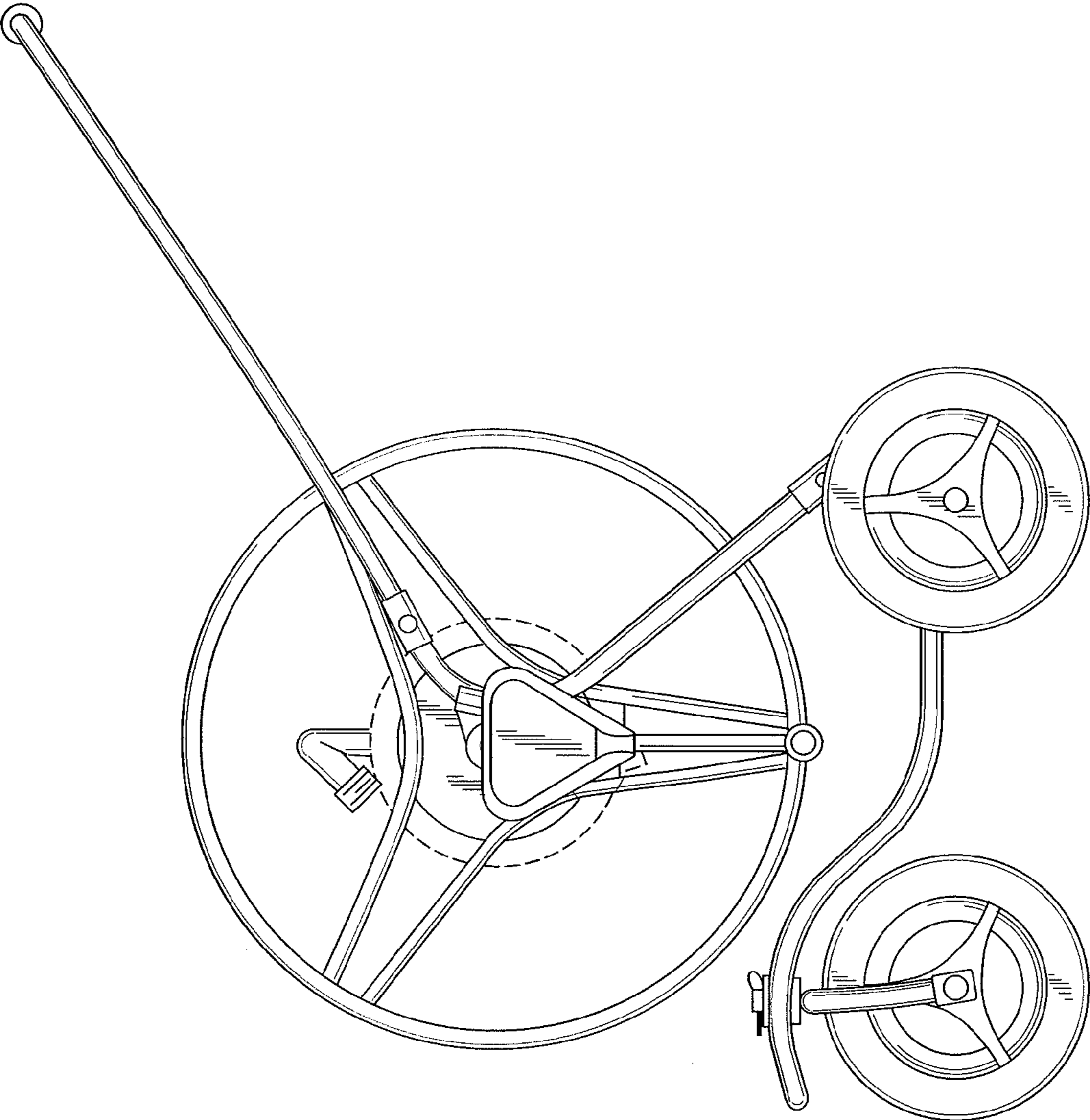


FIG. 6

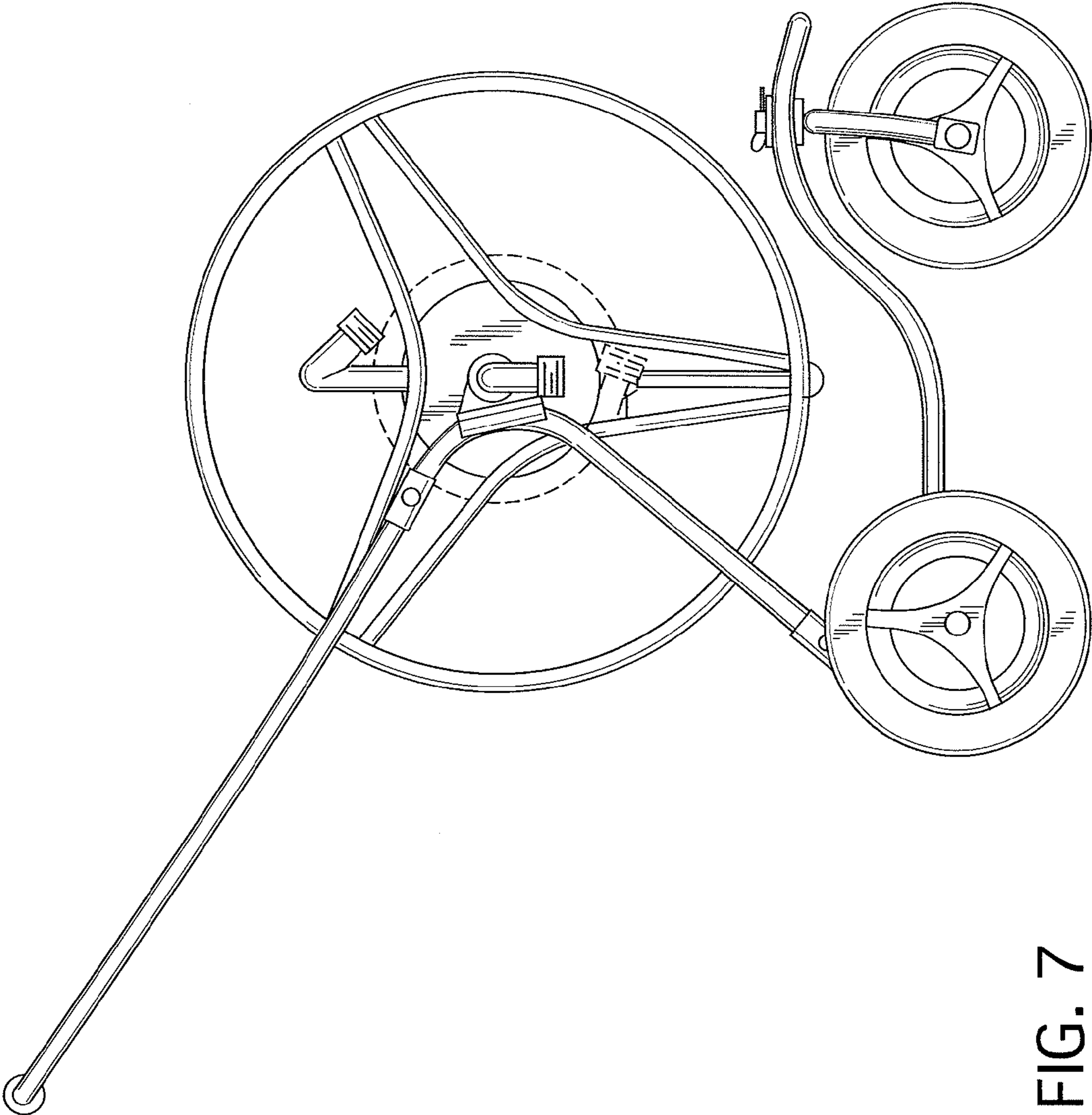


FIG. 7