



US00D604020S

(12) **United States Design Patent**  
**Blaszczak et al.**

(10) **Patent No.:** **US D604,020 S**

(45) **Date of Patent:** **\*\* Nov. 10, 2009**

(54) **HOSE REEL**

(75) Inventors: **Greg Blaszczak**, Hummelstown, PA (US); **Peter Arcati**, Dillsburg, PA (US); **Karen S. Richwine**, Mechanicsburg, PA (US)

(73) Assignee: **Ames True Temper, Inc.**, Camp Hill, PA (US)

(\*\*) Term: **14 Years**

(21) Appl. No.: **29/335,285**

(22) Filed: **Apr. 13, 2009**

(51) **LOC (9) Cl.** ..... **12-02**

(52) **U.S. Cl.** ..... **D34/14**

(58) **Field of Classification Search** ..... D34/12-14, D34/19-21, 24; 280/33.991, 33.992, 33.994, 280/47.18, 47.26, 47.34; D8/359  
See application file for complete search history.

(56) **References Cited**

**U.S. PATENT DOCUMENTS**

4,137,939	A *	2/1979	Chow	.....	137/355.27
4,512,361	A *	4/1985	Tisbo et al.	.....	137/355.27
4,706,906	A *	11/1987	Roman et al.	.....	242/401
D294,456	S *	3/1988	Nelson	.....	D8/359
4,768,546	A *	9/1988	Brusadin et al.	.....	137/355.27

D303,446	S *	9/1989	Kitts et al.	.....	D34/26
4,974,627	A *	12/1990	Nelson	.....	137/355.27
5,007,598	A *	4/1991	Spear et al.	.....	242/403.1
D330,847	S *	11/1992	Clivio	.....	D8/359
D341,240	S *	11/1993	Roman	.....	D34/24
D503,837	S *	4/2005	Alkalay	.....	D34/14
D547,021	S *	7/2007	Stein	.....	D34/17
D570,573	S *	6/2008	Arcati et al.	.....	D34/24

\* cited by examiner

*Primary Examiner*—Cynthia E Ramirez

(74) *Attorney, Agent, or Firm*—Eckert Seamans Cherin & Mellott, LLC; David C. Jenkins, Esq.

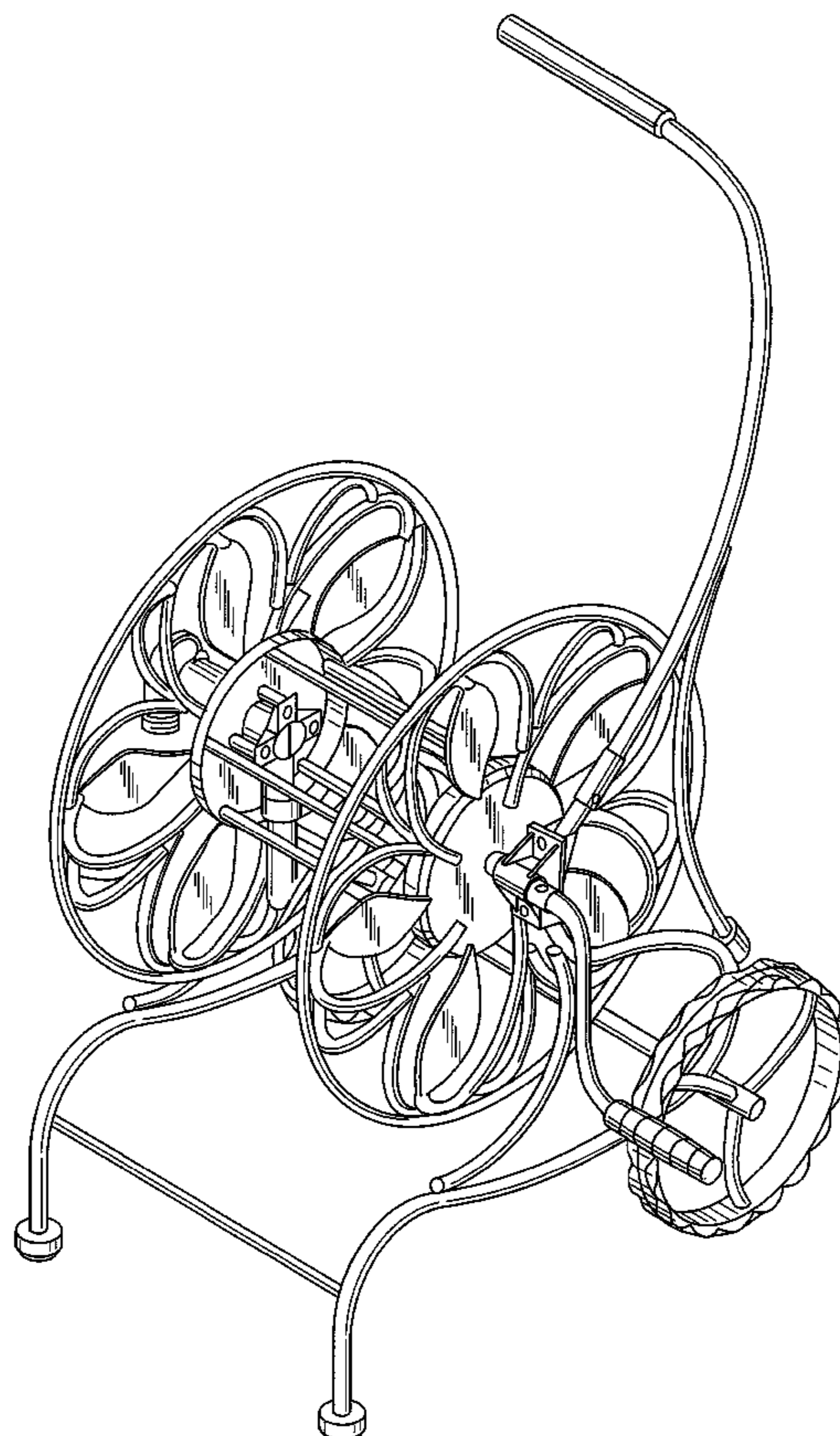
(57) **CLAIM**

The ornamental design for a hose reel, as shown and described.

**DESCRIPTION**

FIG. 1 is an isometric view of the hose reel;  
FIG. 2 is a front view of the hose reel;  
FIG. 3 is a back view of the hose reel;  
FIG. 4 is a top view of the hose reel;  
FIG. 5 is a bottom view of the hose reel;  
FIG. 6 is a left side view of the hose reel; and,  
FIG. 7 is a right side view of the hose reel.

**1 Claim, 7 Drawing Sheets**



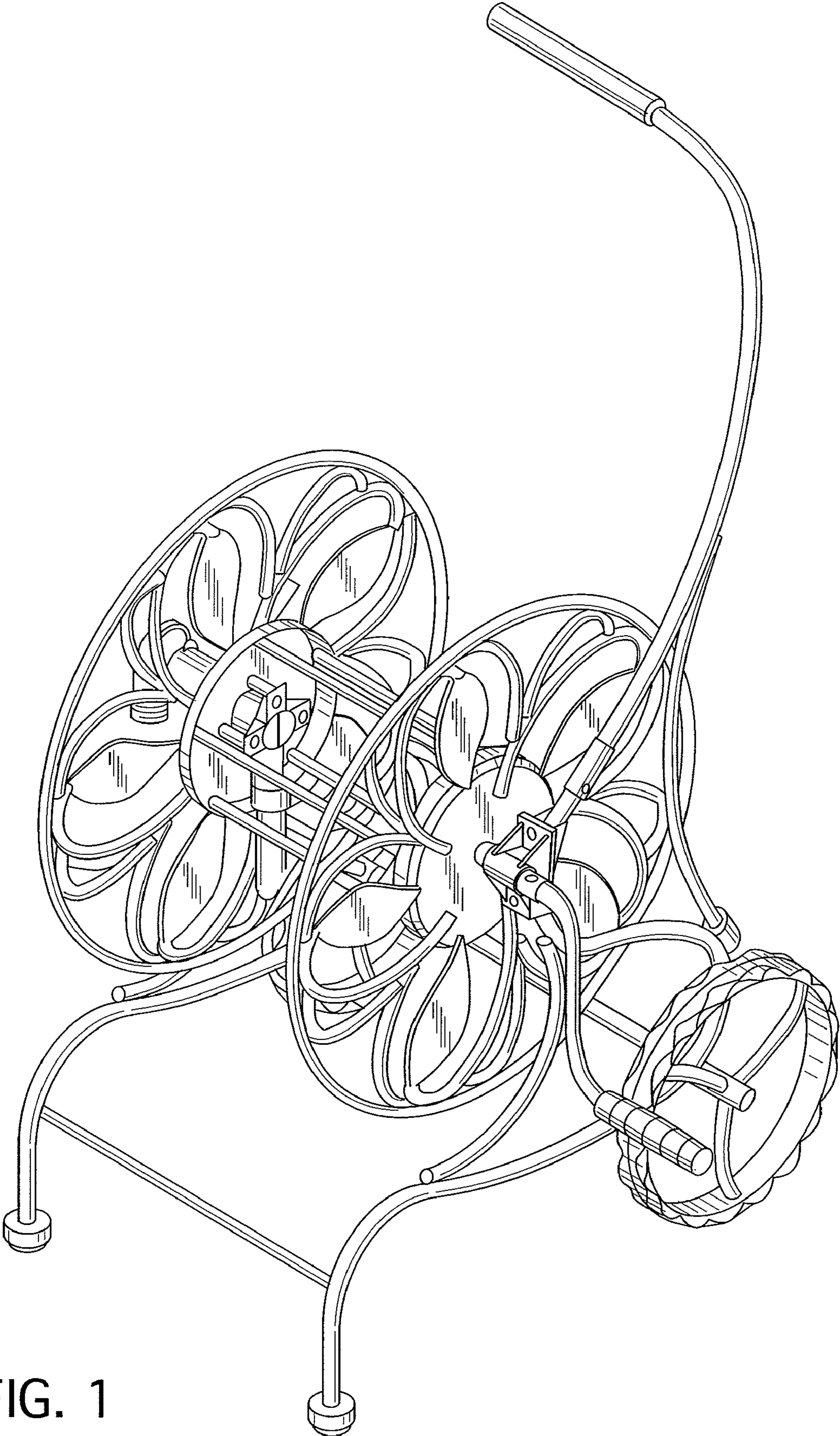


FIG. 1

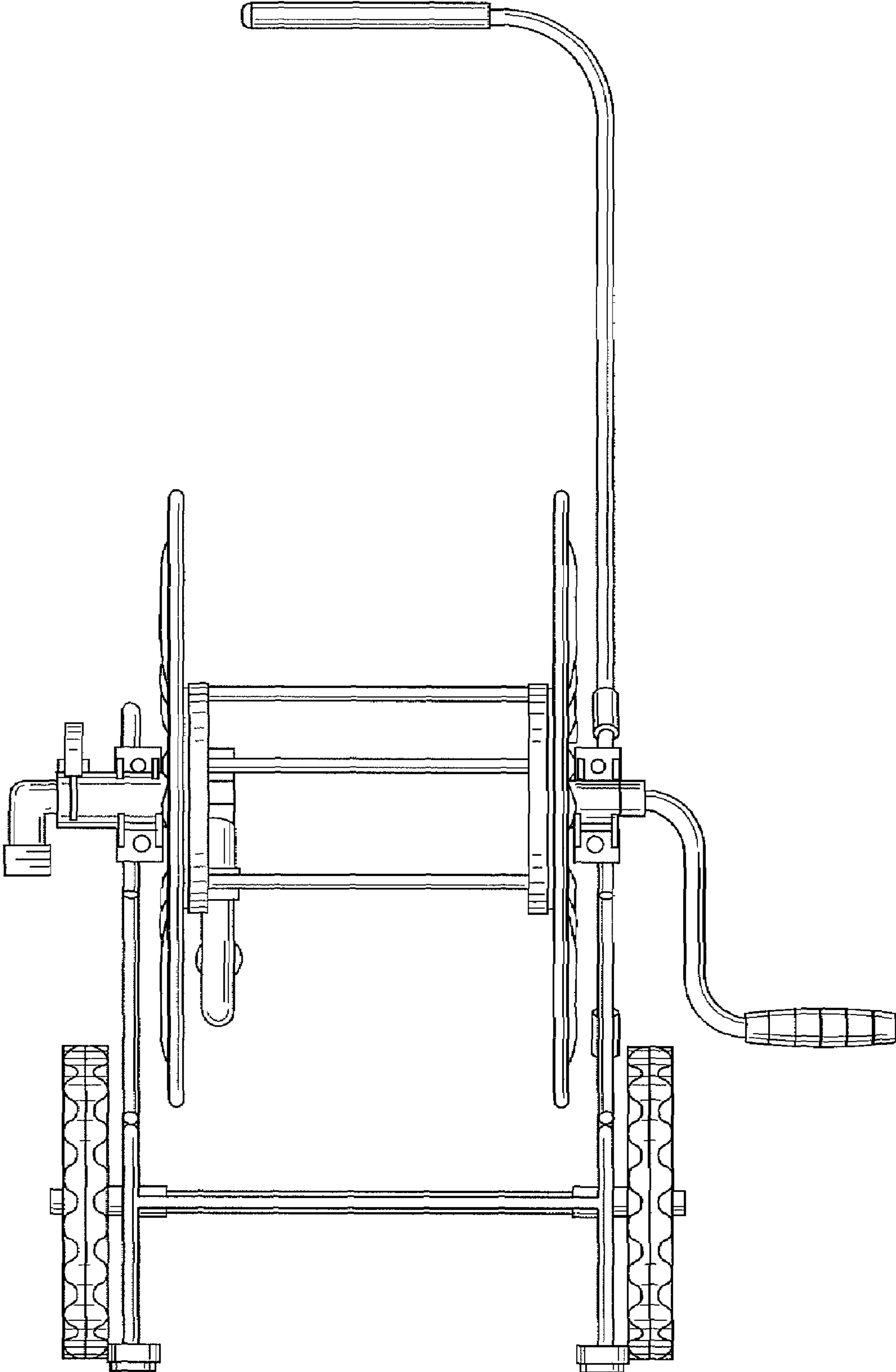


FIG. 2

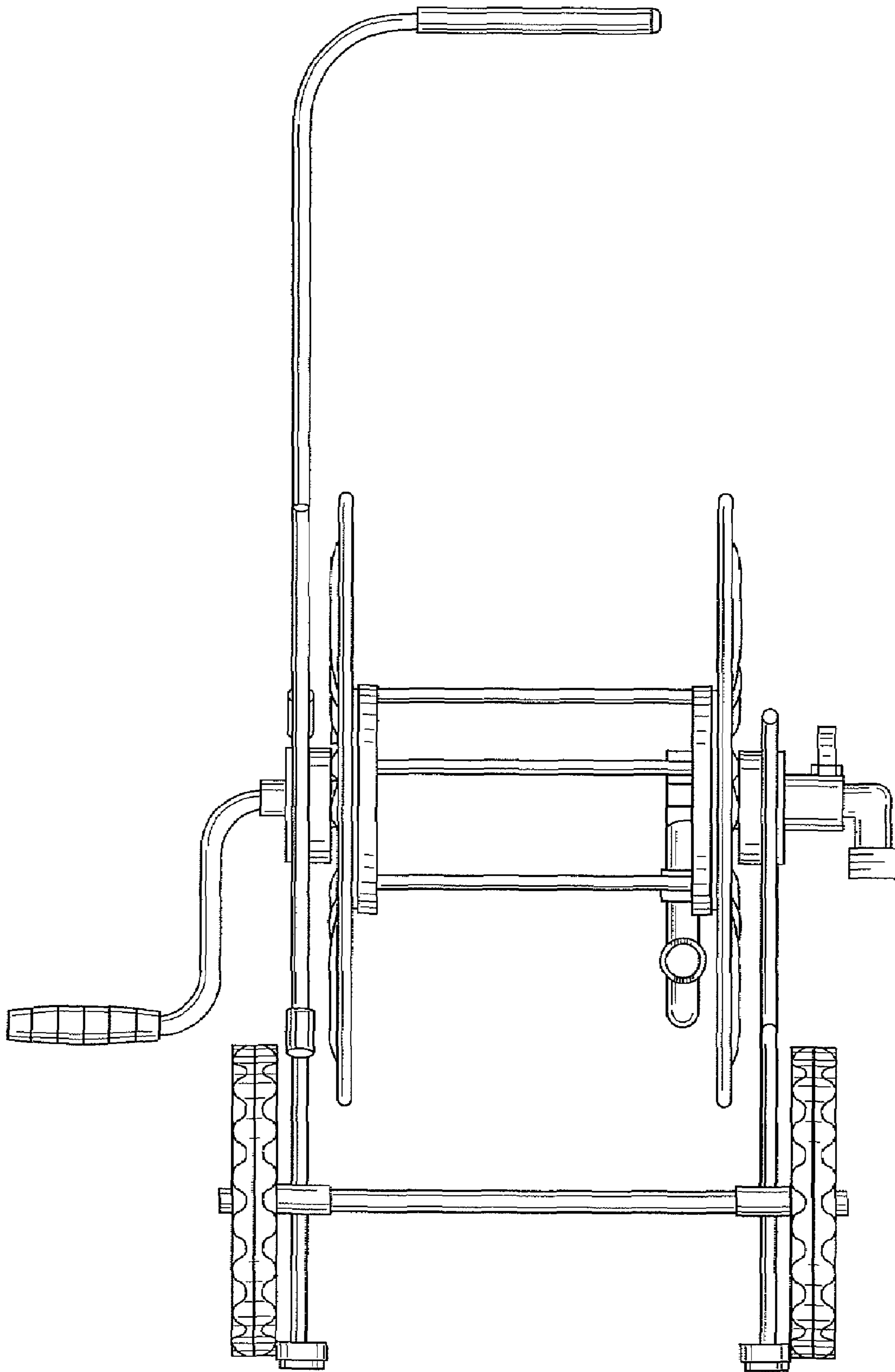


FIG. 3

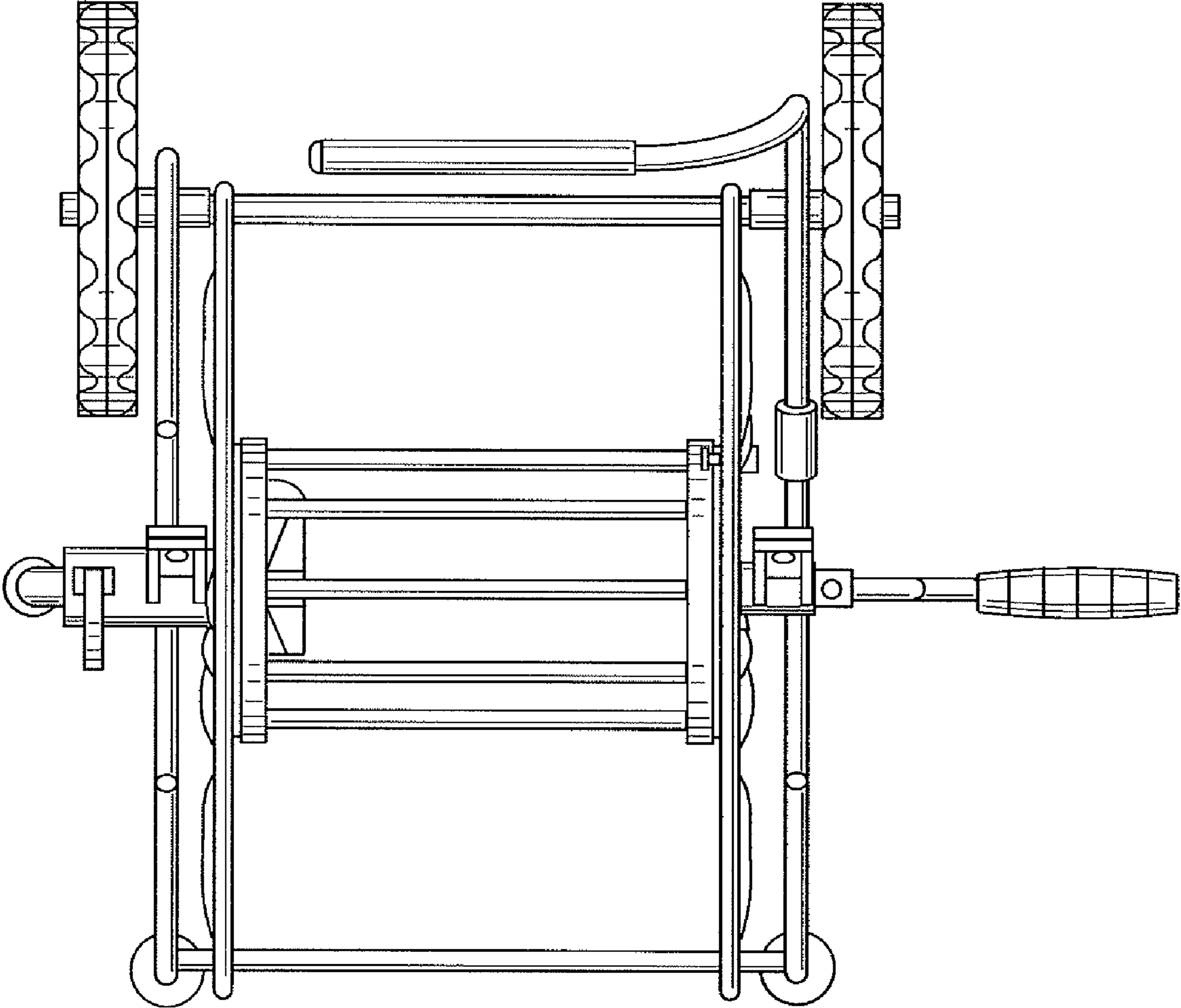


FIG. 4

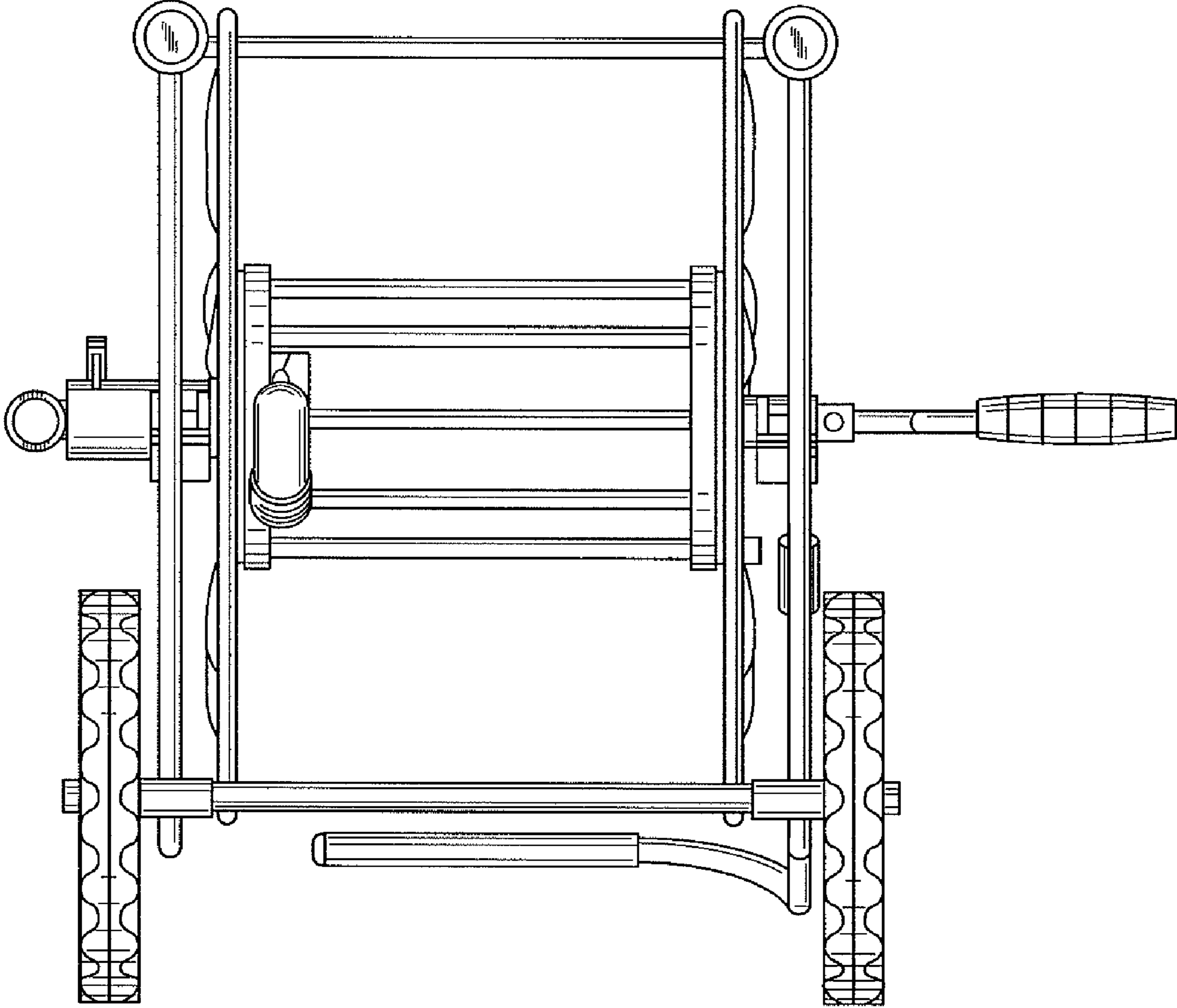


FIG. 5

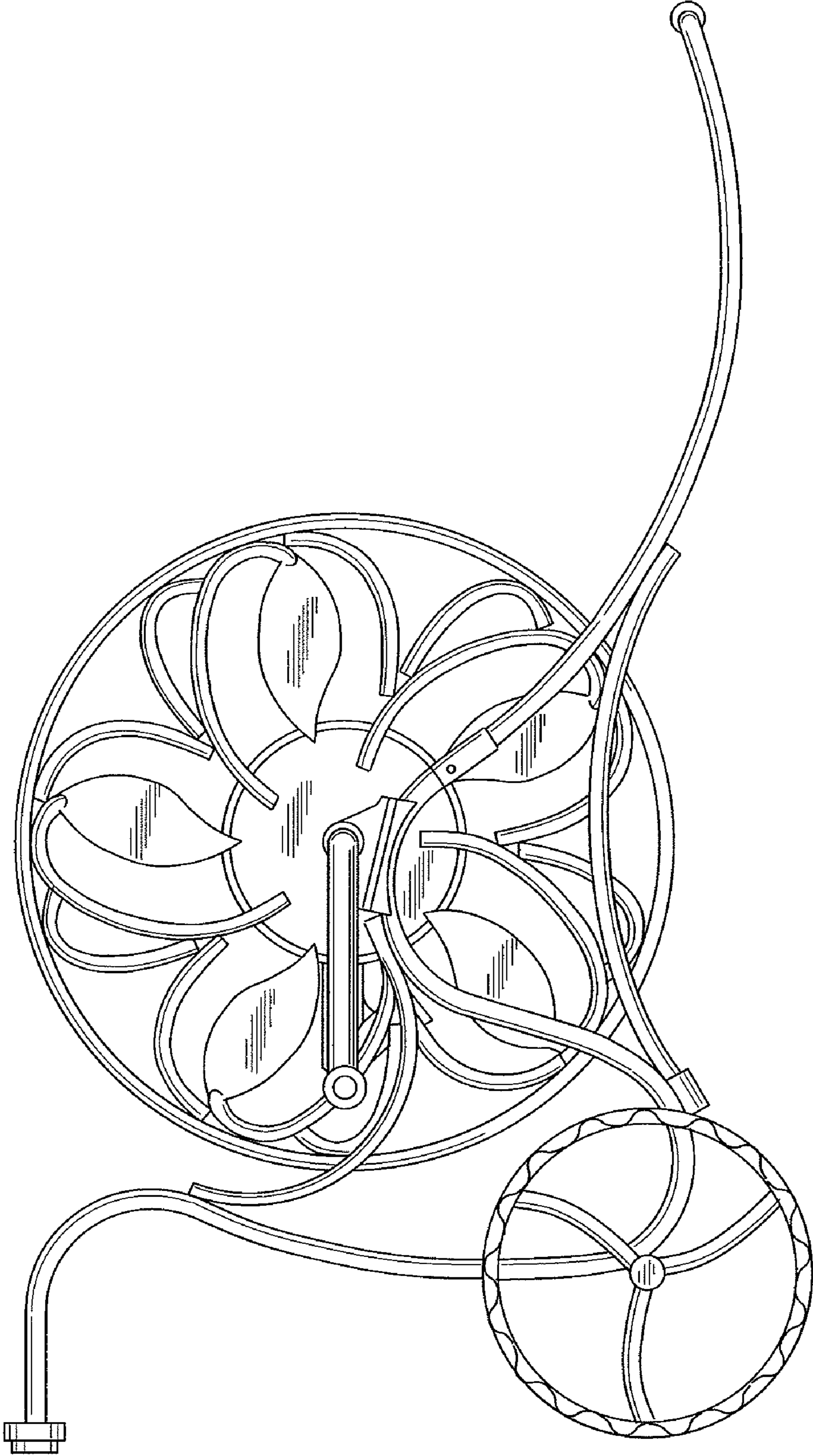


FIG. 6

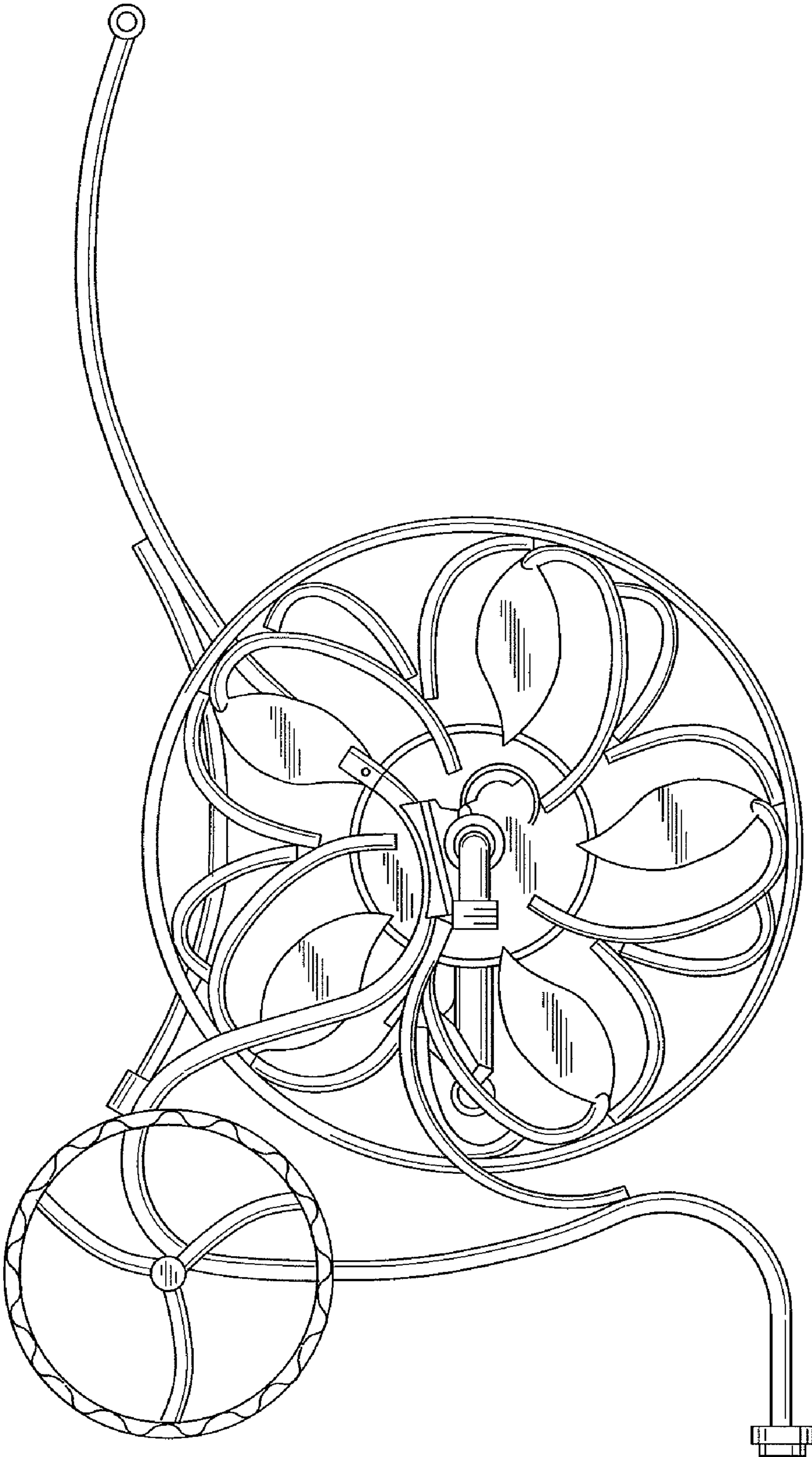


FIG. 7