



US00D604017S

(12) **United States Design Patent**
Meritt

(10) **Patent No.:** **US D604,017 S**
(45) **Date of Patent:** **** Nov. 10, 2009**

(54) **FEEDER FOR QUAIL OR TURKEY**

FOREIGN PATENT DOCUMENTS

(75) Inventor: **Rick Meritt**, Gilmer, TX (US)

GB 2129266 A 5/1984

(73) Assignee: **Rick Meritt Investments, Ltd.**, Gilmer, TX (US)

OTHER PUBLICATIONS

Advertisement (Mumme's Inc.) (1 page), Texas Deer Association Tracks, vol. 6, Issue 3 (May/Jun. 2005), p. 51.

(**) Term: **14 Years**

(Continued)

(21) Appl. No.: **29/296,696**

Primary Examiner—Susan Moon Lee

(22) Filed: **Oct. 25, 2007**

(74) Attorney, Agent, or Firm—Gardere Wynne Sewell, LLP

Related U.S. Application Data

(57) **CLAIM**

(63) Continuation of application No. 11/160,611, filed on Jun. 30, 2005, which is a continuation-in-part of application No. 09/920,231, filed on Aug. 1, 2001, now Pat. No. 6,920,841.

The ornamental design for a feeder for quail or turkey, as shown and described.

DESCRIPTION

(51) **LOC (9) Cl.** **30-03**
(52) **U.S. Cl.** **D30/121**
(58) **Field of Classification Search** D30/133, D30/121, 122, 124, 127, 128, 132; 119/51.01, 119/61, 51.04, 53, 57.91, 54, 53.5, 52.4, 119/51.11, 63, 61.2, 52.1, 57.5, 57.6, 51.13, 119/62, 75, 500, 501; 239/7, 687, 379, 397.5; 222/199, 181.1, 181.2, 185.1, 557, 156, 485, 222/486, 548, 555; 220/200, 227, 247, 262; 221/174, 185.1, 289, 295, 296, 559; 454/35; 209/270, 283, 244; 52/194, 192; 49/279, 49/344, 357; D34/28
See application file for complete search history.

FIG. 1 is a perspective view of one preferred embodiment of a feeder for quail or turkey according to my new design;
FIG. 2 is a right side elevation view of the feeder for quail or turkey shown in FIG. 1;
FIG. 3 is a left side elevation view of the feeder for quail or turkey shown in FIG. 1;
FIG. 4 is a front elevation view of the feeder for quail or turkey shown in FIG. 1;
FIG. 5 is a rear elevation view of the feeder for quail or turkey shown in FIG. 1;
FIG. 6 is a top plan view of the feeder for quail or turkey shown in FIG. 1; and,
FIG. 7 is a bottom plan view of the feeder for quail or turkey shown in FIG. 1.

(56) **References Cited**

U.S. PATENT DOCUMENTS

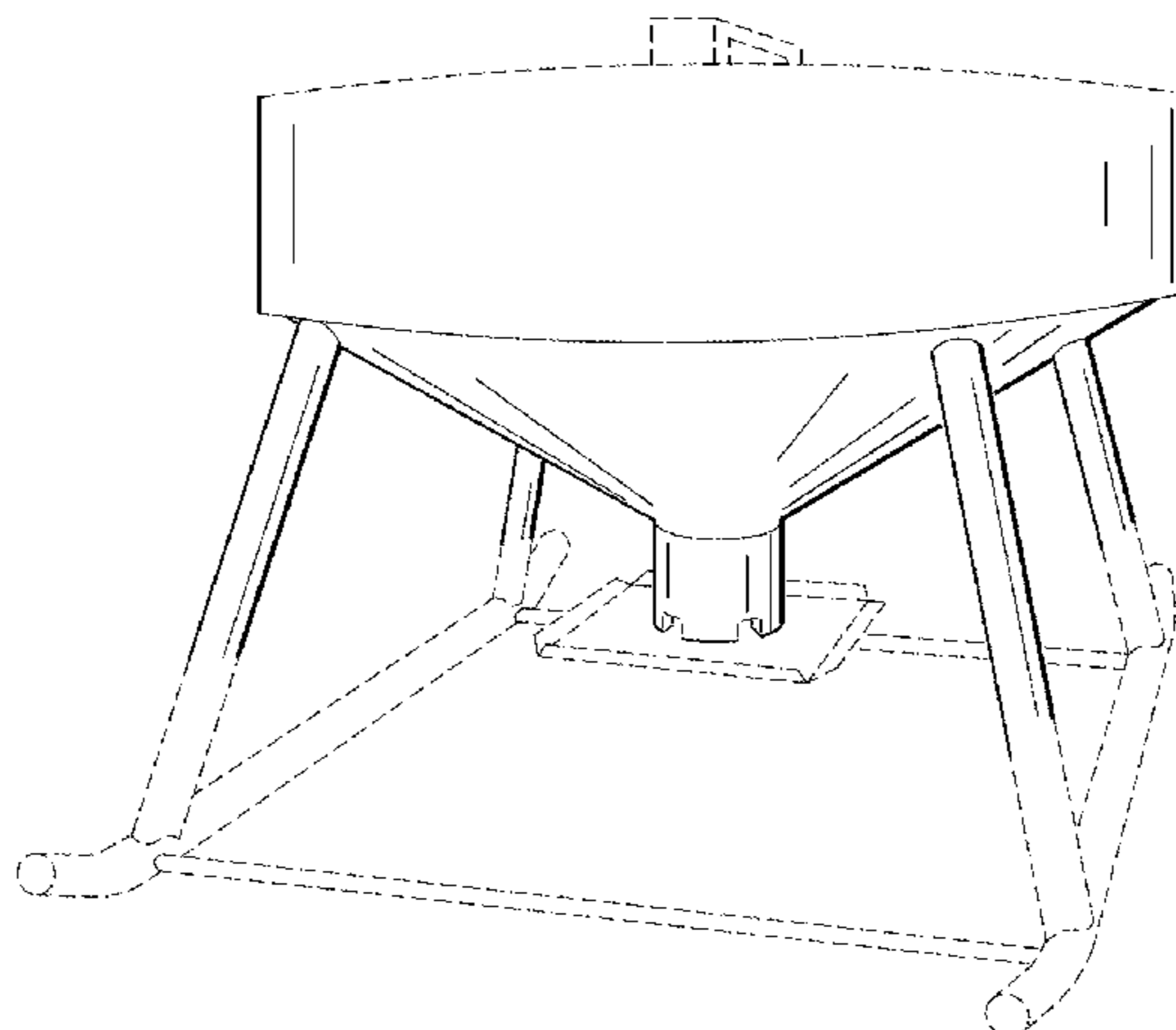
485,142 A	10/1892	Stephens	
1,214,881 A	2/1917	Bemtzen	239/66
1,355,399 A	10/1920	Kelley	119/57.91
2,454,721 A	11/1948	Severance et al	119/52
2,619,252 A	11/1952	De Hoffmann	220/26
2,638,871 A	5/1953	Ruedemann	119/53

In FIGS. 1–6, the broken line particularly represents the unclaimed edge where the top surface and the side surface of the feeder container meet.

The broken line showing on the top of the feeder represents the unclaimed top surface and the unclaimed edge where that top surface and the side surface of the feeder container meet. All broken line matter shown in the drawings is not claimed.

(Continued)

1 Claim, 4 Drawing Sheets



U.S. PATENT DOCUMENTS

2,654,346	A	10/1953	Goff	119/81
2,808,029	A	10/1957	Geerling	119/53.5
2,886,002	A	5/1959	O'Malley et al.	119/77
2,988,047	A	6/1961	Hurdle	119/52
3,034,480	A	5/1962	French	119/56
D194,594	S	2/1963	Juculano	D15/8
3,515,098	A	6/1970	Thurmond	119/51
3,730,142	A	5/1973	Kahrs et al.	119/54
3,780,701	A	12/1973	Wentworth, Sr.	119/51 R
4,328,880	A	5/1982	Lapeyre	182/93
4,337,728	A	7/1982	Van Gilst et al.	119/51 R
4,538,548	A	9/1985	Page	119/52 R
4,580,528	A	4/1986	Kendall	119/53
4,601,414	A	7/1986	Lawson	222/564
4,719,875	A	1/1988	Van Gilst	119/53.5
D295,091	S	4/1988	Swartzendruber	D30/132
4,815,621	A	3/1989	Bartis	220/1 B
4,986,220	A	1/1991	Reneau et al.	119/57.91
5,069,164	A	12/1991	Wiwi	119/53
5,086,730	A	2/1992	Figley	119/52.3
5,195,459	A	3/1993	Ancketill	119/57.9
5,275,131	A	1/1994	Brake et al.	119/63
5,339,996	A *	8/1994	Dubbert et al.	222/185.1
5,435,267	A	7/1995	Patterson	119/52.4
5,503,090	A	4/1996	Guzan	111/7.2
D371,228	S	6/1996	Monin	D30/121
5,570,547	A	11/1996	Webb et al.	52/194
5,740,757	A	4/1998	Smeester	119/51.02
D397,527	S	8/1998	Bruder et al.	D30/121
5,794,561	A	8/1998	Schulz	119/52.1
5,862,777	A	1/1999	Sweeney	119/57.91
5,901,886	A	5/1999	Grindstaff et al.	222/557
5,906,174	A	5/1999	Muldoon	119/54
6,073,587	A	6/2000	Hill et al.	119/474
6,082,300	A	7/2000	Futch	119/51.11
6,199,509	B1	3/2001	Mostyn et al.	119/51.01
6,510,813	B1	1/2003	Boone, Jr.	119/57.91
6,622,653	B1	9/2003	Starnes, Jr.	119/51.01
D486,946	S	2/2004	Castro	D30/121
6,691,640	B1	2/2004	Huckabee	119/51.01
6,920,841	B2	7/2005	Meritt	119/51.01
7,302,912	B2	12/2007	Boyer	119/57.91
2005/0229860	A1	10/2005	Meritt	119/53
2005/0269367	A1 *	12/2005	Post	222/185.1

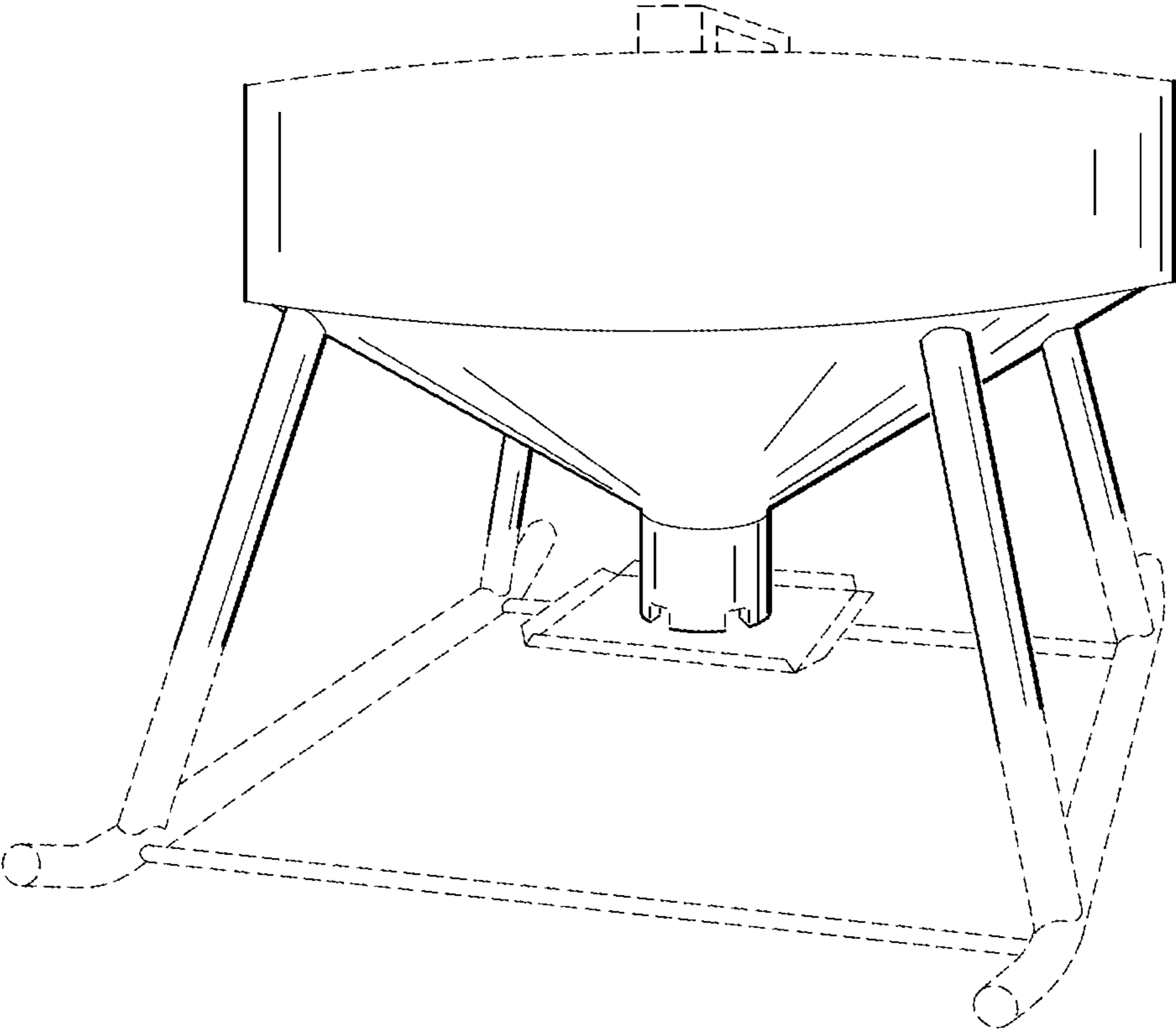
2006/0048712 A1 3/2006 Boyer 119/57.91

OTHER PUBLICATIONS

Advertisement (Mumme's Inc.) (1 page), The Journal of the Texas Trophy Hunters Association, Jan./Feb. 2005, on reverse side of p. 74.
 Advertisement (Sweeney Automated Feeding Systems) (2 pages, front and back) (date referenced Jan. 1-Feb. 28, 2005).
 Internet web site (Atascosa Wildlife Supply) (2 pages); <http://www.atascosawildlifesupply.com/feeders.html> (Mar. 8, 2005).
 Advertisement (Atascosa Wildlife Supply) (2 pages); The Journal of the Texas Trophy Hunters Association, May/Jun. 2005 (reverse sides of pp. 23 and 26).
 Advertisement (Texas Wildlife Supply) (1 page), The Journal of the Texas Trophy Hunters Association, May/Jun. 2005 (reverse side of p. 174).
 Internet web site (American Hunter Outdoor Products) (15 pages); <http://www.americanhunterfeeders.com> (Feb. 24, 2005).
 Internet web site (Mumme's Inc.) (1 page); <http://www.mummesinc.com> (Feb. 24, 2005).
 Internet web site (Boss Game Systems) (3 pages); <http://www.bossgamesystems.com> (Oct. 6, 2005).
 Advertisement (American Hunter Outdoor Products) (1 page), The Journal of the Texas Trophy Hunters Association, May/Jun. 2005, on reverse side of p. 155.
 "Introduction to Welding," Materials Engineering Group.; Copyright 1997 Materials Engineering (UK) Ltd.; <http://www.meg.co.uk/meg/app01.htm>.
 "Welding," Microsoft Encarta Online Encyclopedia 2002; <http://encarta.msn.com> (1997-2002) Microsoft Corporation.
 "Fair Special, 2000# Capacity Gravity Flow Protein Feeder," and Photo, Sycamore Springs Ranch, Approximately Oct. 2005.
 Advertisement (Rick Meritt; Outback Wildlife Feeders); The Journal of the Texas Trophy Hunters, Sep./Oct. 2003, vol. 28, No. 5 (2pp).
 Advertisement (Rick Meritt; Outback Wildlife Feeders); The Journal of the Texas Trophy Hunters, Sep./Oct. 2004, vol. 29, No. 5 (2pp).
 Advertisement (Rick Meritt; Outback Wildlife Feeders); The Journal of the Texas Trophy Hunters, Sep./Oct. 2007, vol. 32, No. 5 (3pp).
 Advertisement (Rick Meritt; Outback Wildlife Feeders); The Journal of the Texas Trophy Hunters, Jul./Aug. 2006, vol. 31, No. 4 (3pp).
 Advertisement (Rick Meritt; Outback Wildlife Feeders); The Journal of the Texas Trophy Hunters, Sep./Oct. 2005, vol. 30, No. 5 (3pp).
 Advertisement (Rick Meritt; Outback Wildlife Feeders); The Journal of the Texas Trophy Hunters, Sep./Oct. 2001, vol. 26, No. 5 (2pp).
 Advertisement (Rick Meritt; Outback Wildlife Feeders); The Journal of the Texas Trophy Hunters, Sep./Oct. 2002, vol. 27, No. 5 (2pp).

* cited by examiner

FIG. 1



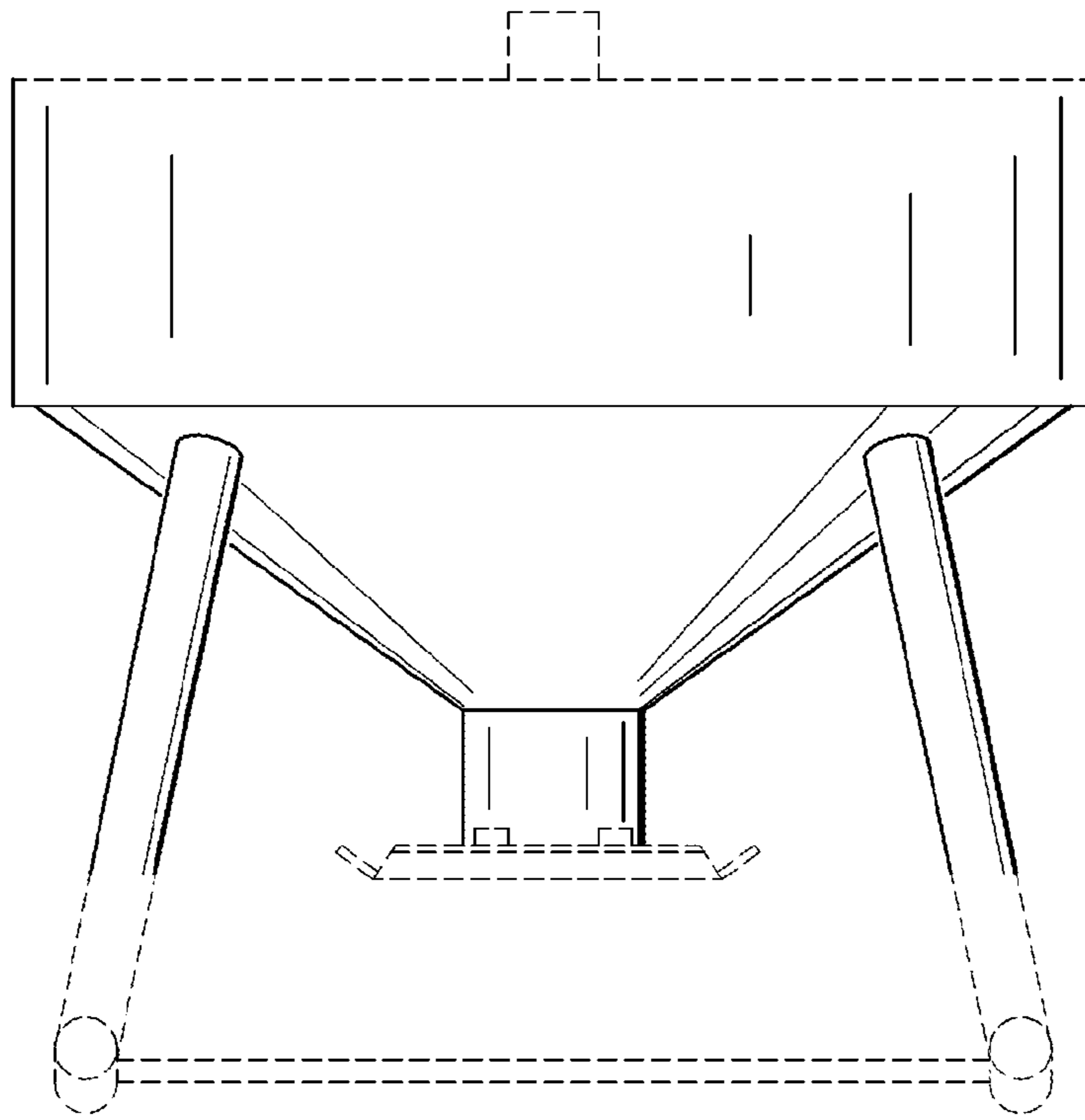


FIG. 2

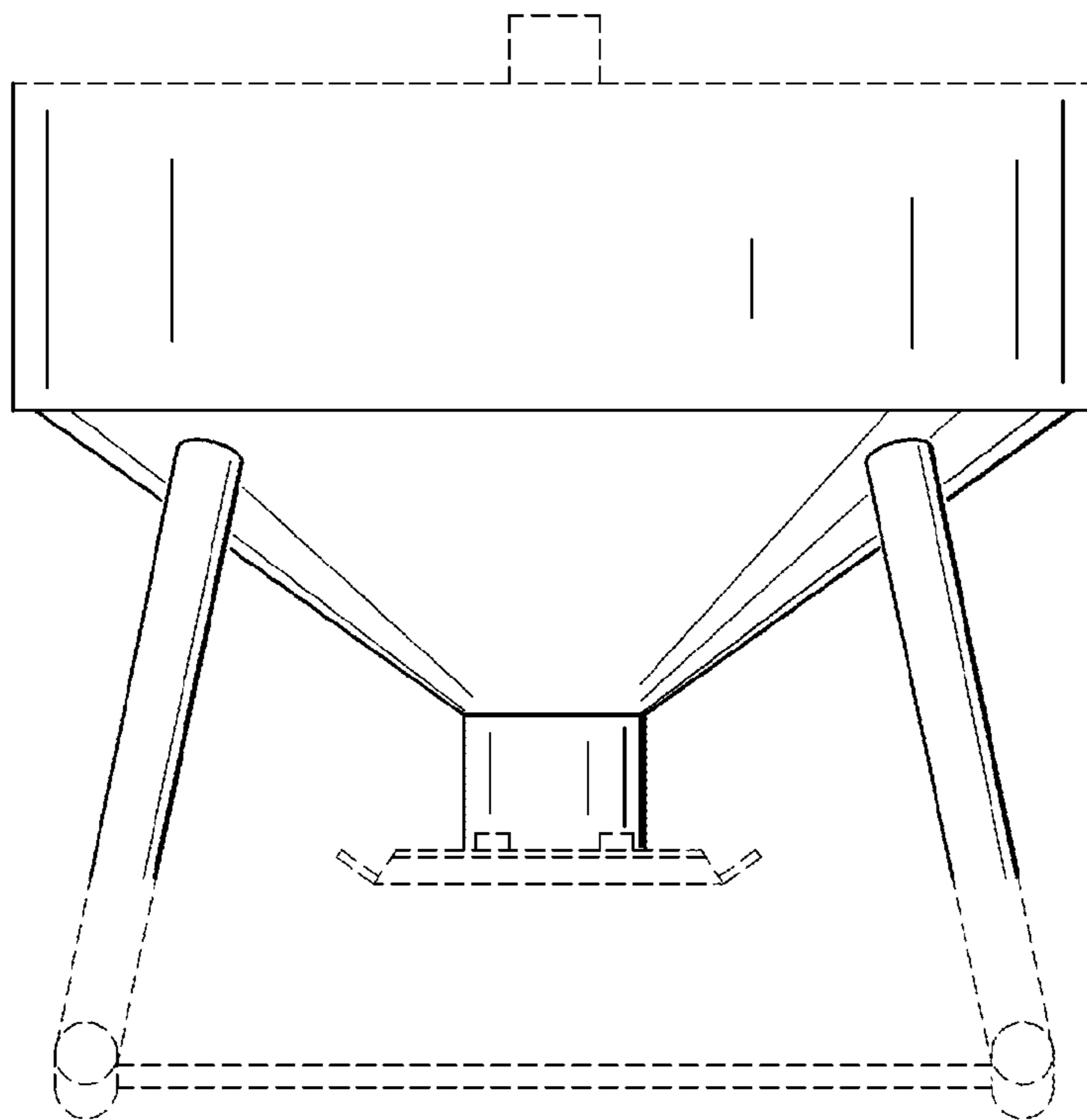


FIG. 3

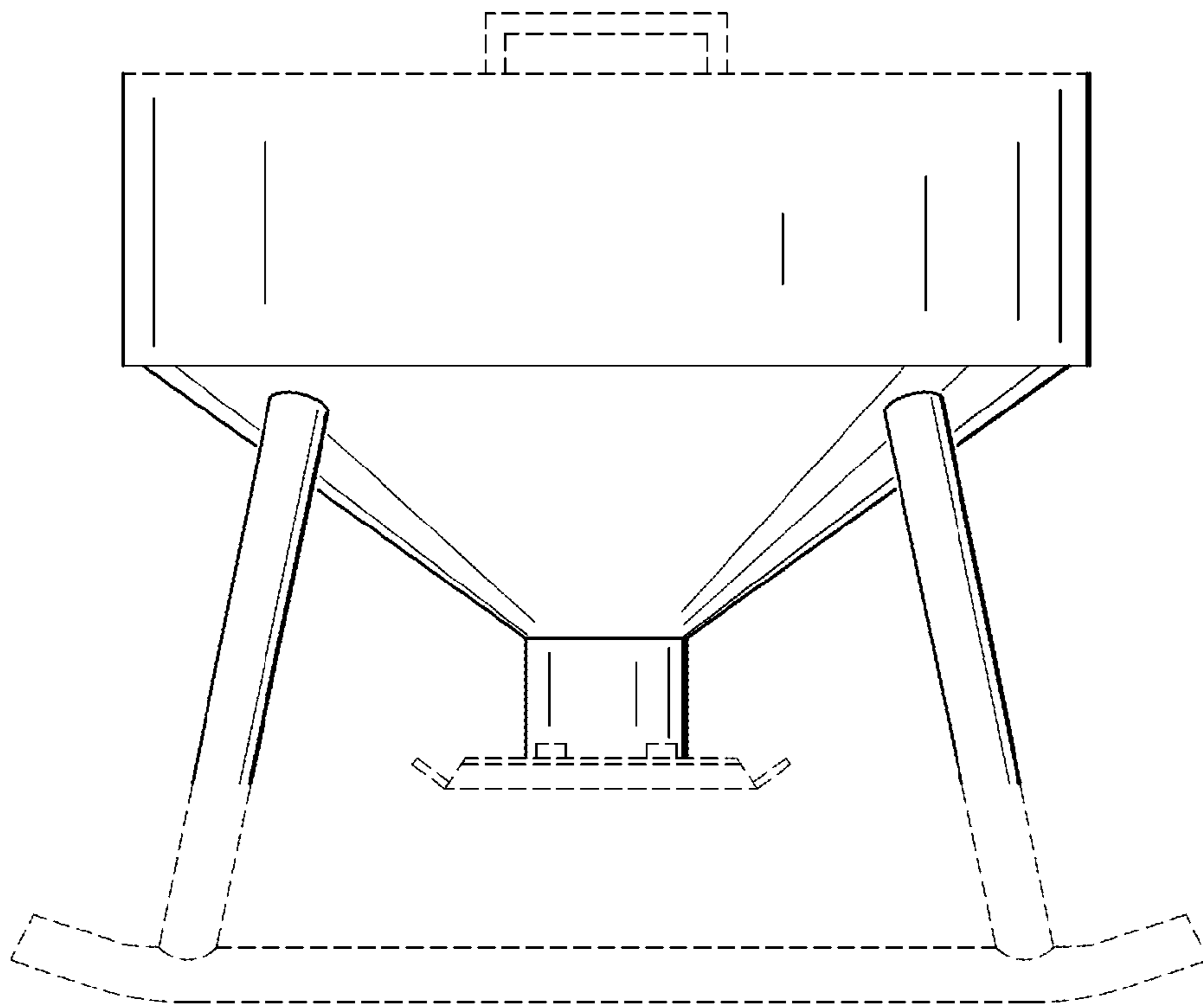


FIG. 4

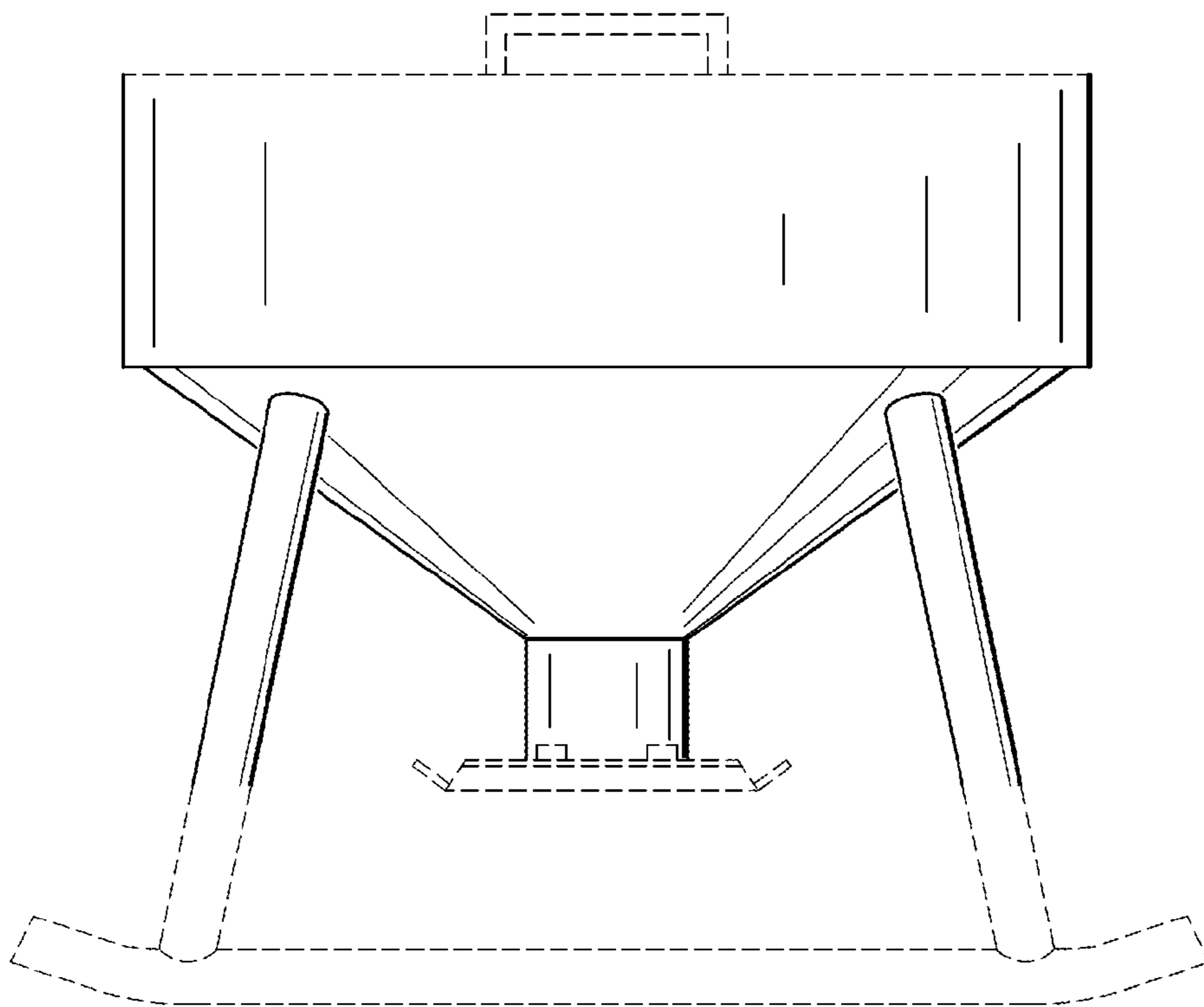


FIG. 5

FIG. 6

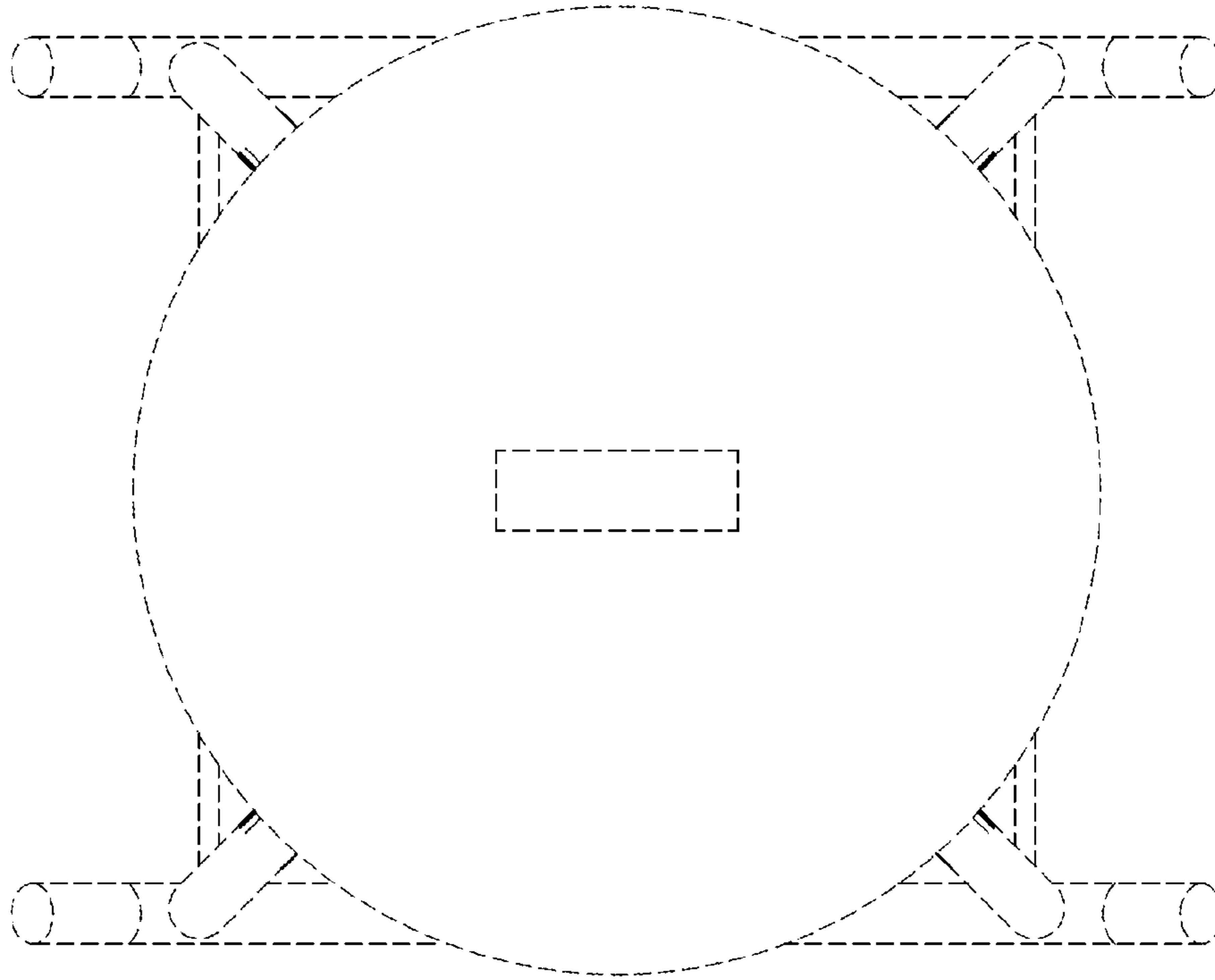


FIG. 7

