

US00D604013S

(12) **United States Design Patent**  
**Qiu**

(10) **Patent No.:** **US D604,013 S**

(45) **Date of Patent:** **\*\* Nov. 10, 2009**

(54) **ELECTRIC SHAVER**

(76) Inventor: **Yuanlin Qiu**, China Zhejiang Meida  
Electric Appliance, The Second  
Industrial Zone Puzhou, Longwan,  
Wenzhou, Zhejiang 325000 (CN)

(\*\*) Term: **14 Years**

(21) Appl. No.: **29/331,992**

(22) Filed: **Feb. 6, 2009**

(51) **LOC (9) Cl.** ..... **28-03**

(52) **U.S. Cl.** ..... **D28/50**

(58) **Field of Classification Search** ..... D28/44,  
D28/49-54; 30/32, 34.05, 34.1, 34.2, 41,  
30/44-45, 43-43.92, 346.5-346.61, 526-527  
See application file for complete search history.

(56) **References Cited**

**U.S. PATENT DOCUMENTS**

- D326,738 S \* 6/1992 Mauro ..... D28/50
- D345,792 S \* 4/1994 Van Asten ..... D28/44.1
- D362,320 S \* 9/1995 Izumi ..... D28/50
- D389,275 S \* 1/1998 Bone ..... D28/50

- D520,681 S \* 5/2006 Beedham ..... D28/50
- D546,001 S \* 7/2007 McLachlan ..... D28/50
- D563,599 S \* 3/2008 Prat-Pfister ..... D28/50
- D588,743 S \* 3/2009 Kubono et al. .... D28/44.1

\* cited by examiner

*Primary Examiner*—Jennifer Rivard

(74) *Attorney, Agent, or Firm*—Rabin & Berdo, P.C.

(57) **CLAIM**

The ornamental design for an electric shaver, as shown and described.

**DESCRIPTION**

FIG. 1 is a right side view of an electric shaver showing my new design;

FIG. 2 is a front view thereof;

FIG. 3 is a left side view thereof;

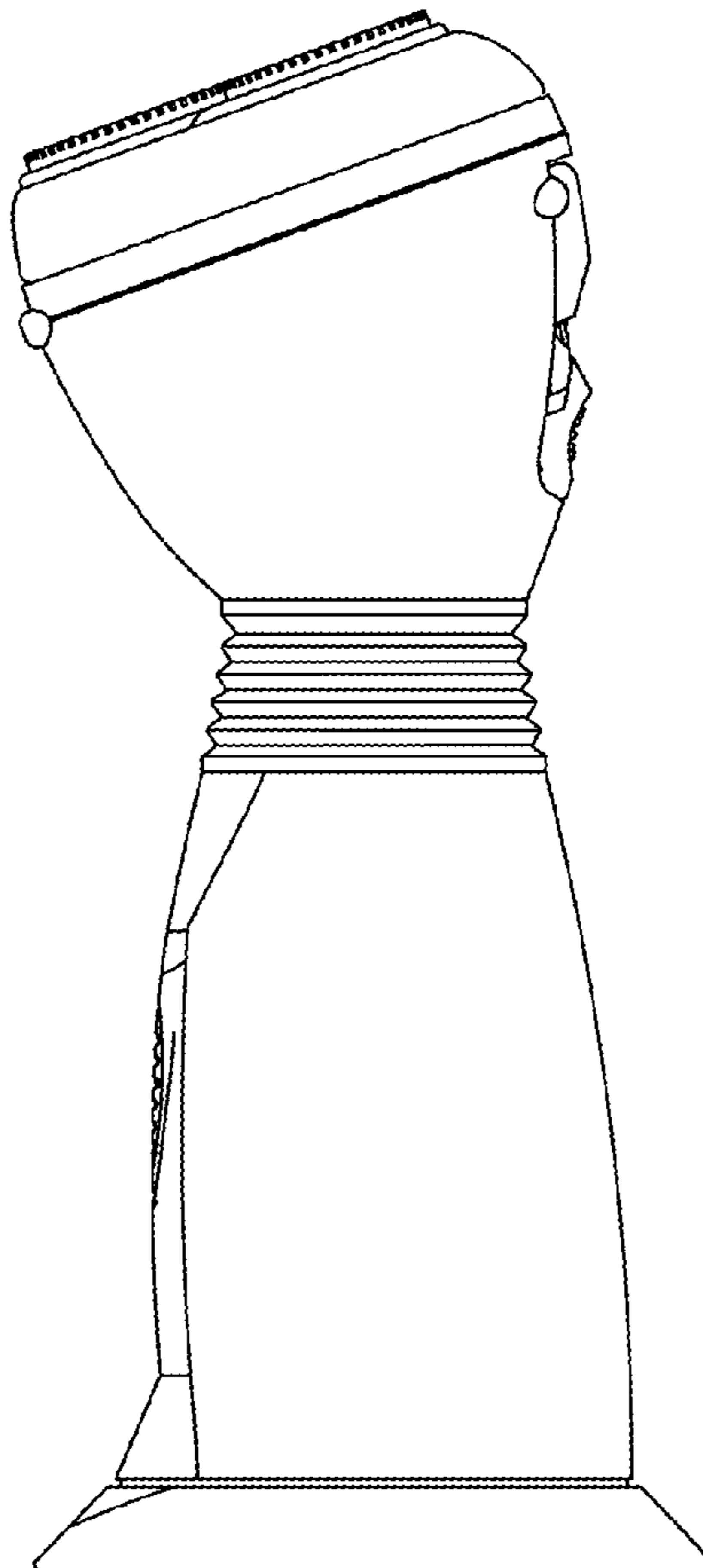
FIG. 4 is a bottom view thereof;

FIG. 5 is a top view thereof;

FIG. 6 is a rear view thereof; and,

FIG. 7 is a perspective view thereof.

**1 Claim, 2 Drawing Sheets**



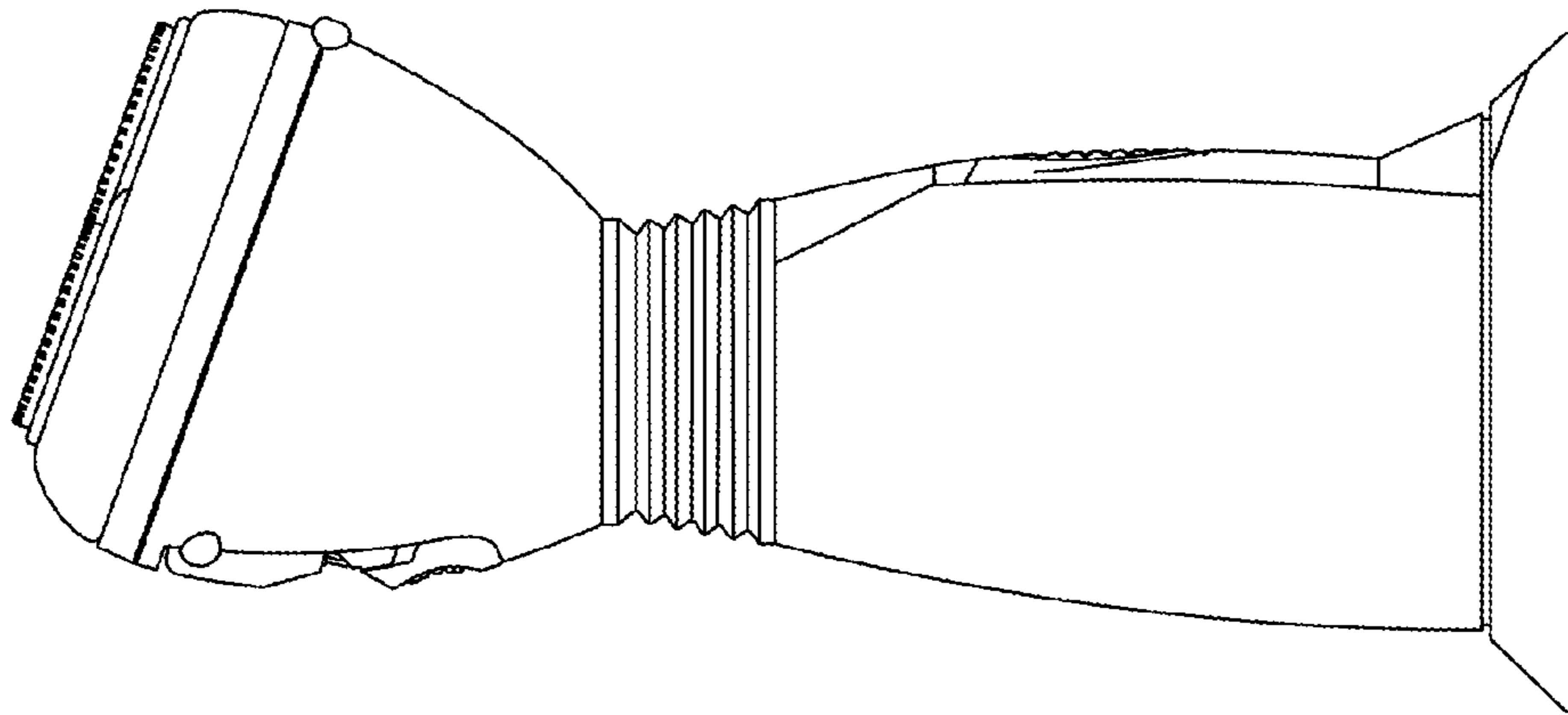


FIG.1

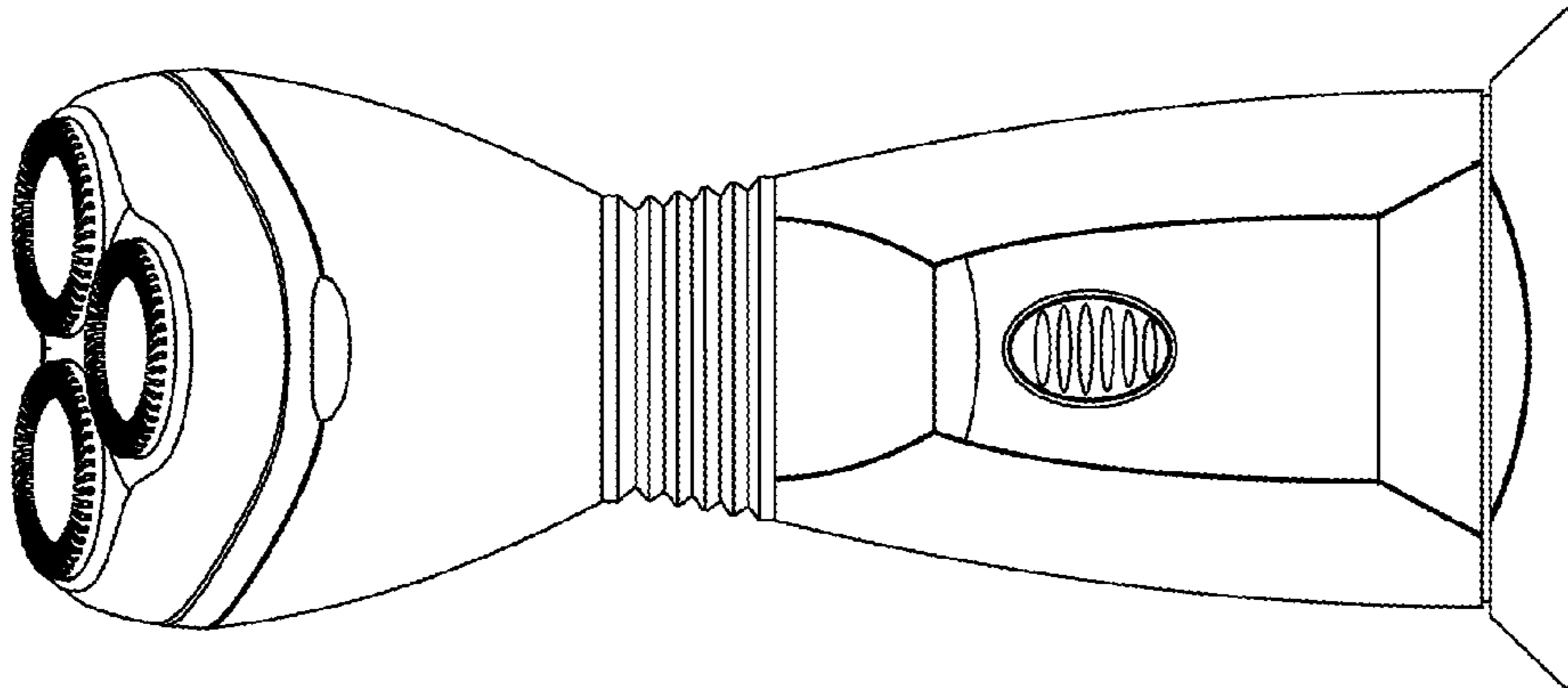


FIG.2

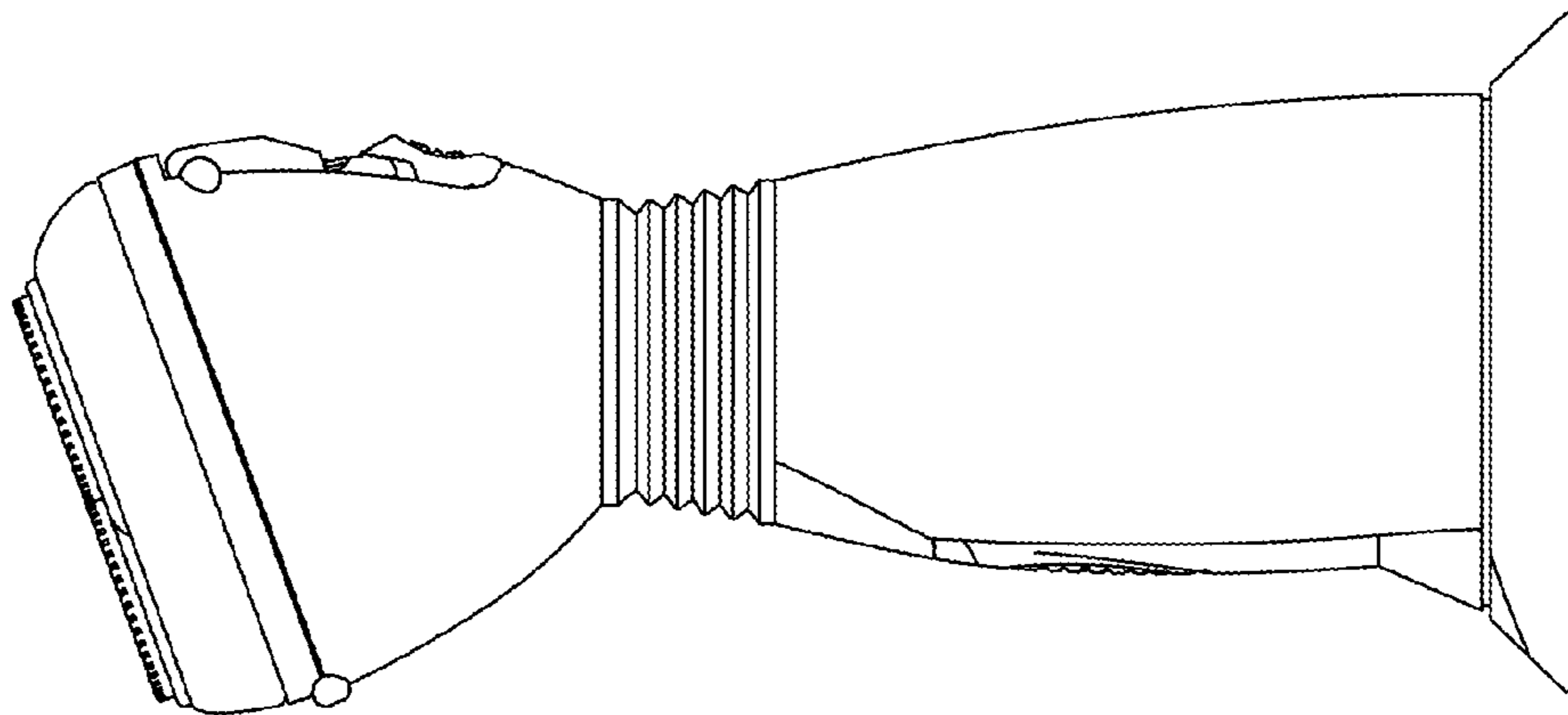


FIG.3

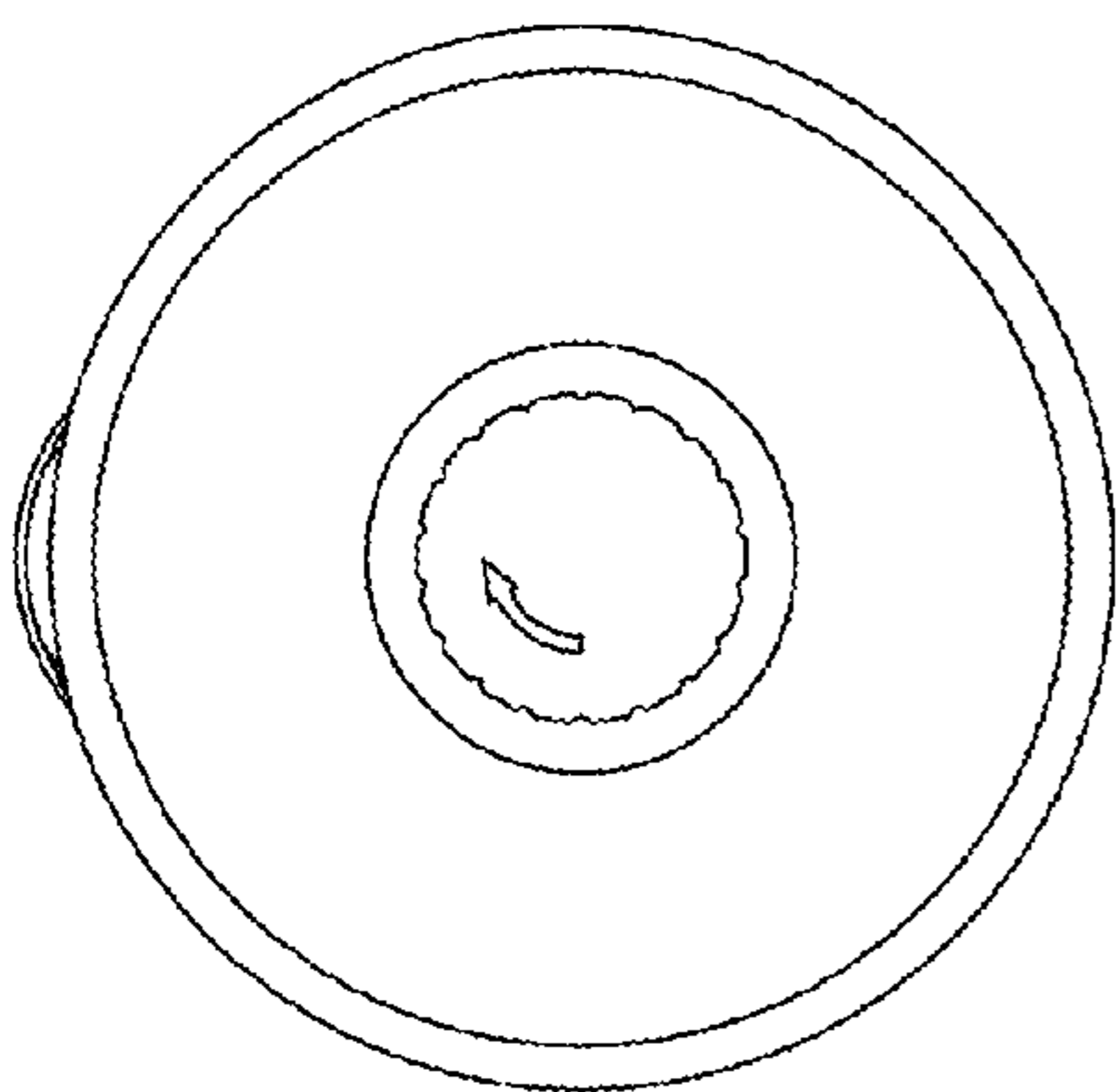


FIG. 4

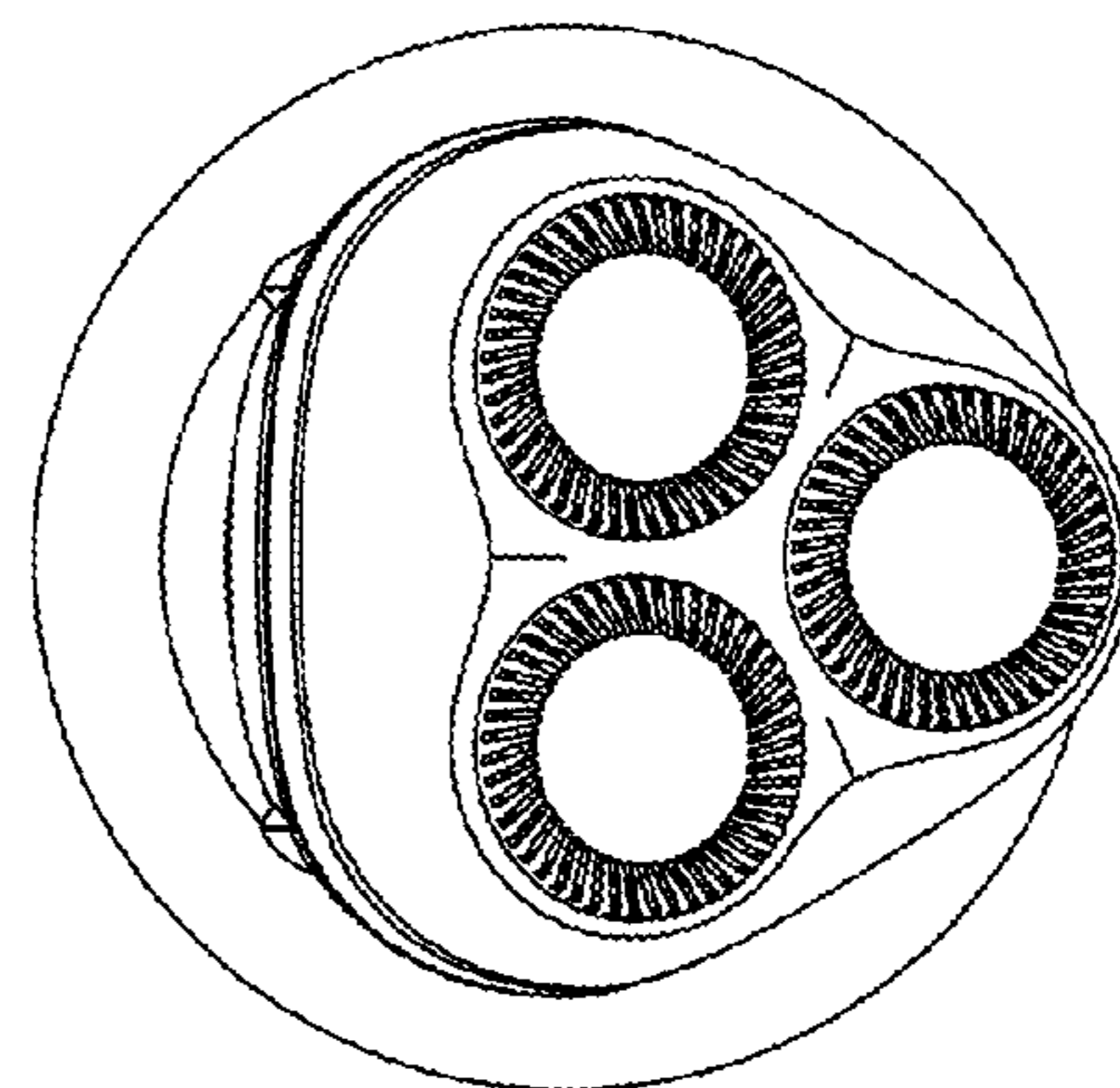


FIG. 5

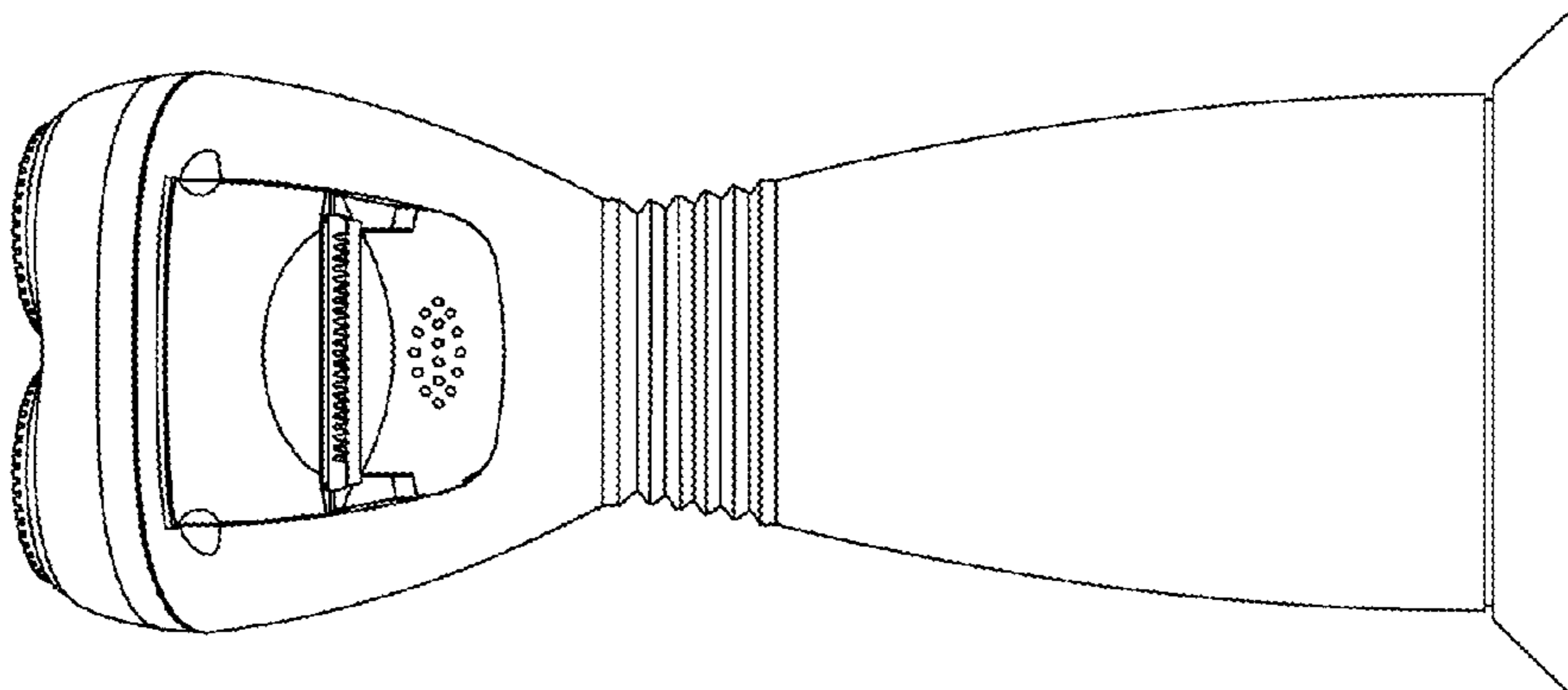


FIG. 6

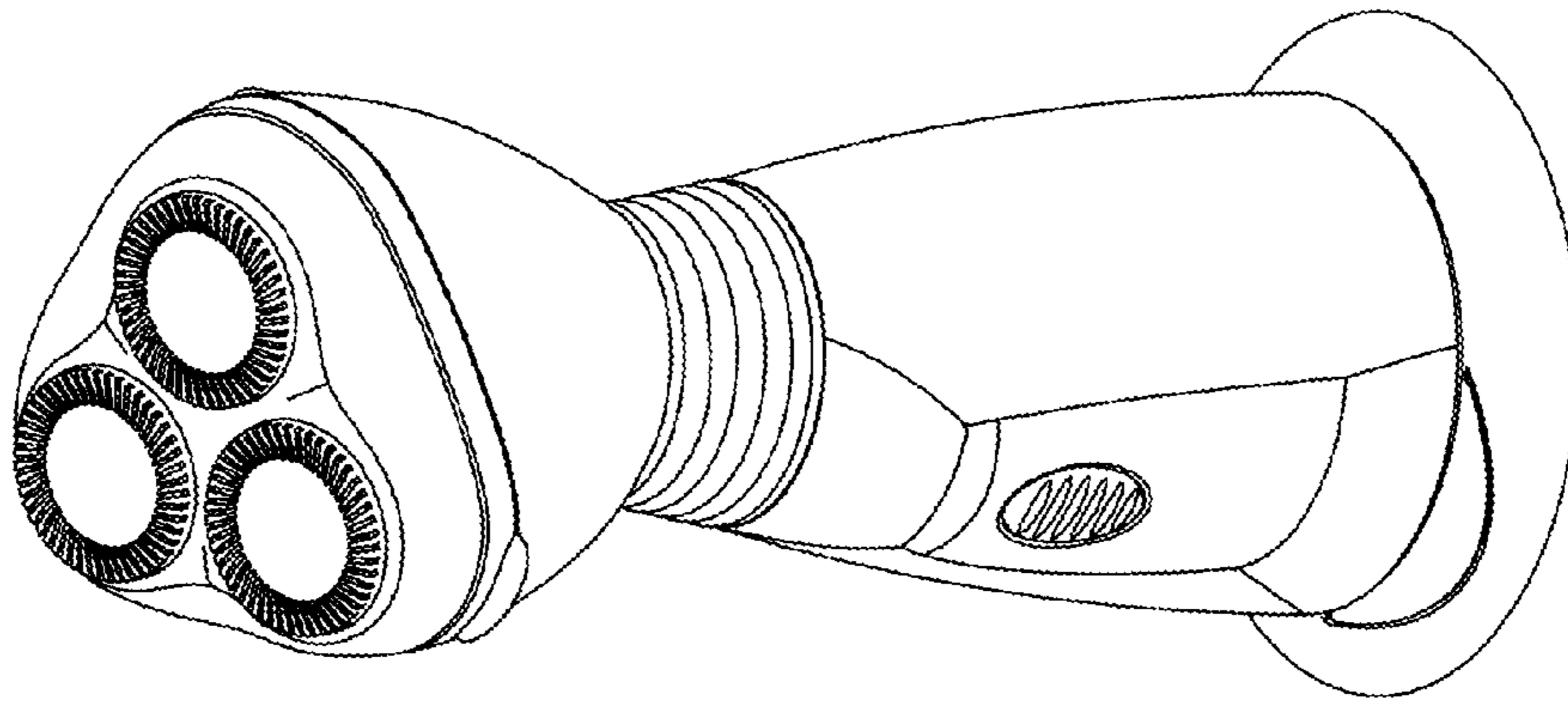


FIG. 7