



US00D604010S

(12) **United States Design Patent**
Borden

(10) **Patent No.:** **US D604,010 S**

(45) **Date of Patent:** **** Nov. 10, 2009**

(54) **PIPE**

(75) **Inventor:** **Teddy H. Borden**, Sahuarita, AZ (US)

(73) **Assignee:** **Borden Koala-T LLC**, Sahuarita, AZ (US)

(**) **Term:** **14 Years**

(21) **Appl. No.:** **29/333,058**

(22) **Filed:** **Mar. 2, 2009**

(51) **LOC (9) Cl.** **27-02**

(52) **U.S. Cl.** **D27/164**

(58) **Field of Classification Search** D27/163-171;
131/329, 226-229, 193-196

See application file for complete search history.

(56) **References Cited**

U.S. PATENT DOCUMENTS

D143,593 S * 1/1946 Hollenbeck D27/164

D179,179 S * 11/1956 Atkins D27/169
D248,673 S * 7/1978 Aikman D27/170
D258,693 S * 3/1981 L'Heureux D27/168
D264,884 S * 6/1982 Irelan D27/166

* cited by examiner

Primary Examiner—Jennifer Rivard

(74) *Attorney, Agent, or Firm*—McDonald Hopkins LLC;
Michael J. Femal

(57) **CLAIM**

The ornamental design for a pipe, as shown.

DESCRIPTION

FIG. 1 is a perspective view of a pipe showing my new design;

FIG. 2 is a bottom plan view thereof;

FIG. 3 is a left side elevational view thereof;

FIG. 4 is a right side elevational view thereof; and,

FIG. 5 is a top plan view thereof.

1 Claim, 1 Drawing Sheet

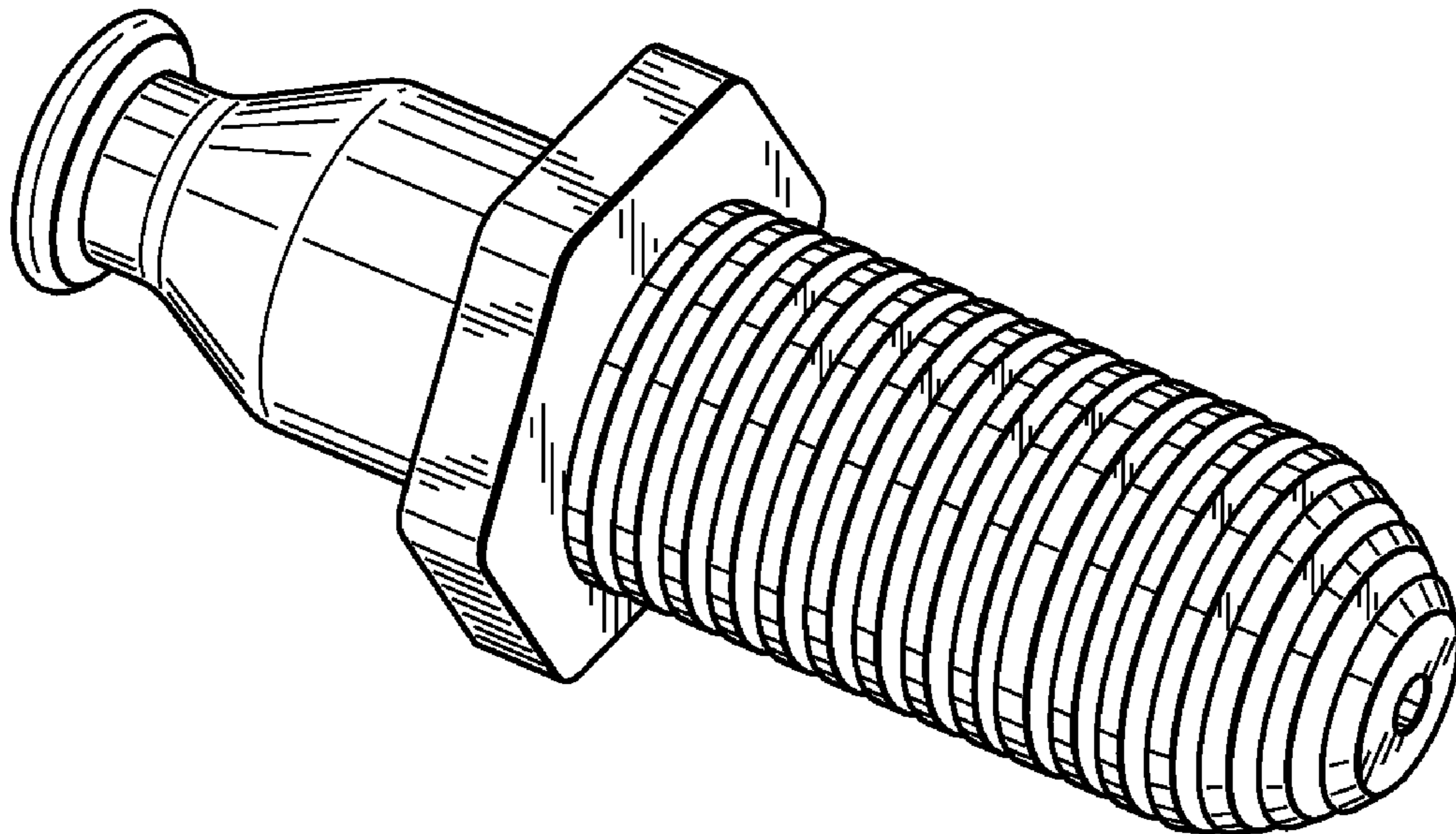


Fig. 1

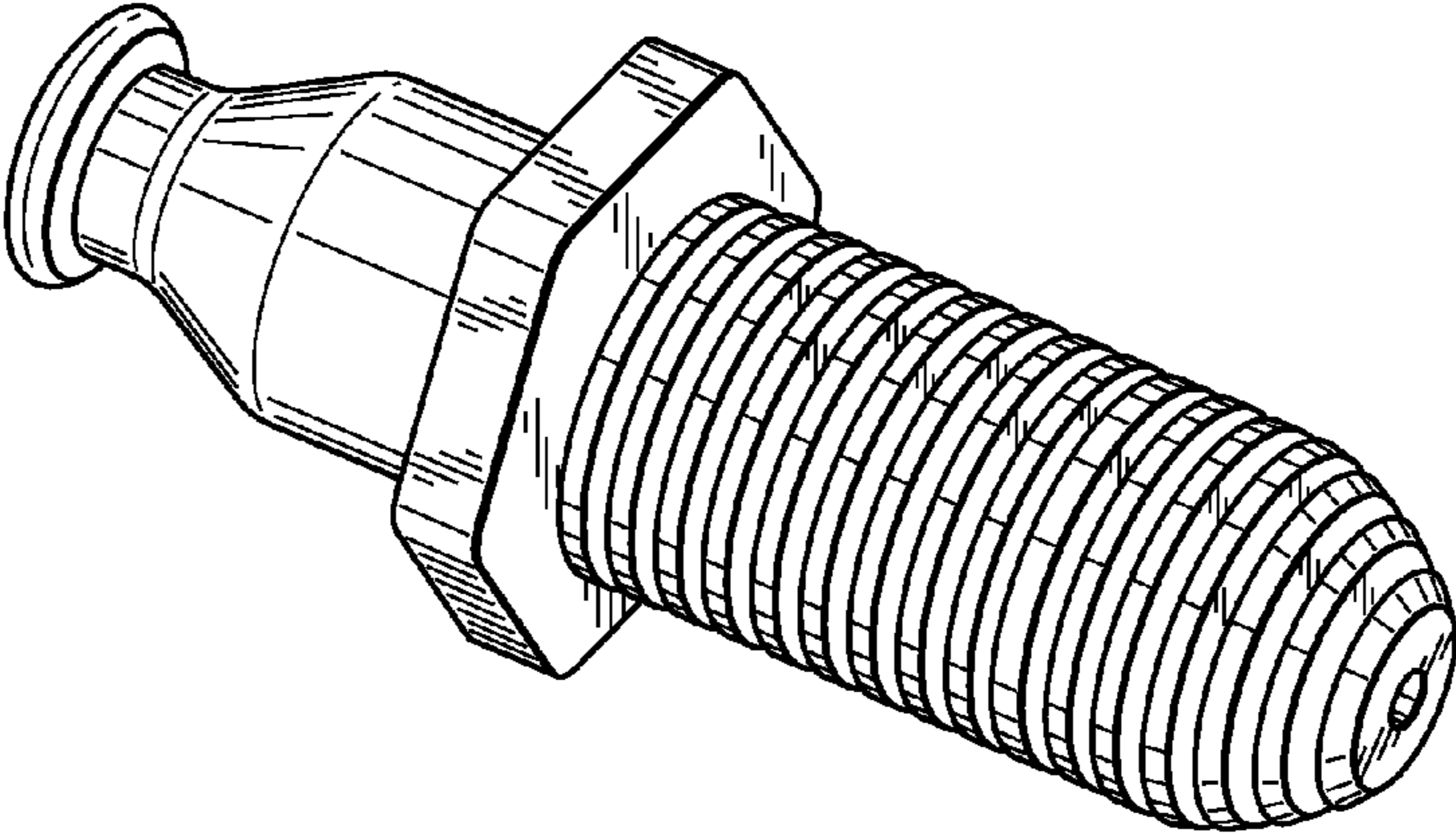


Fig. 2

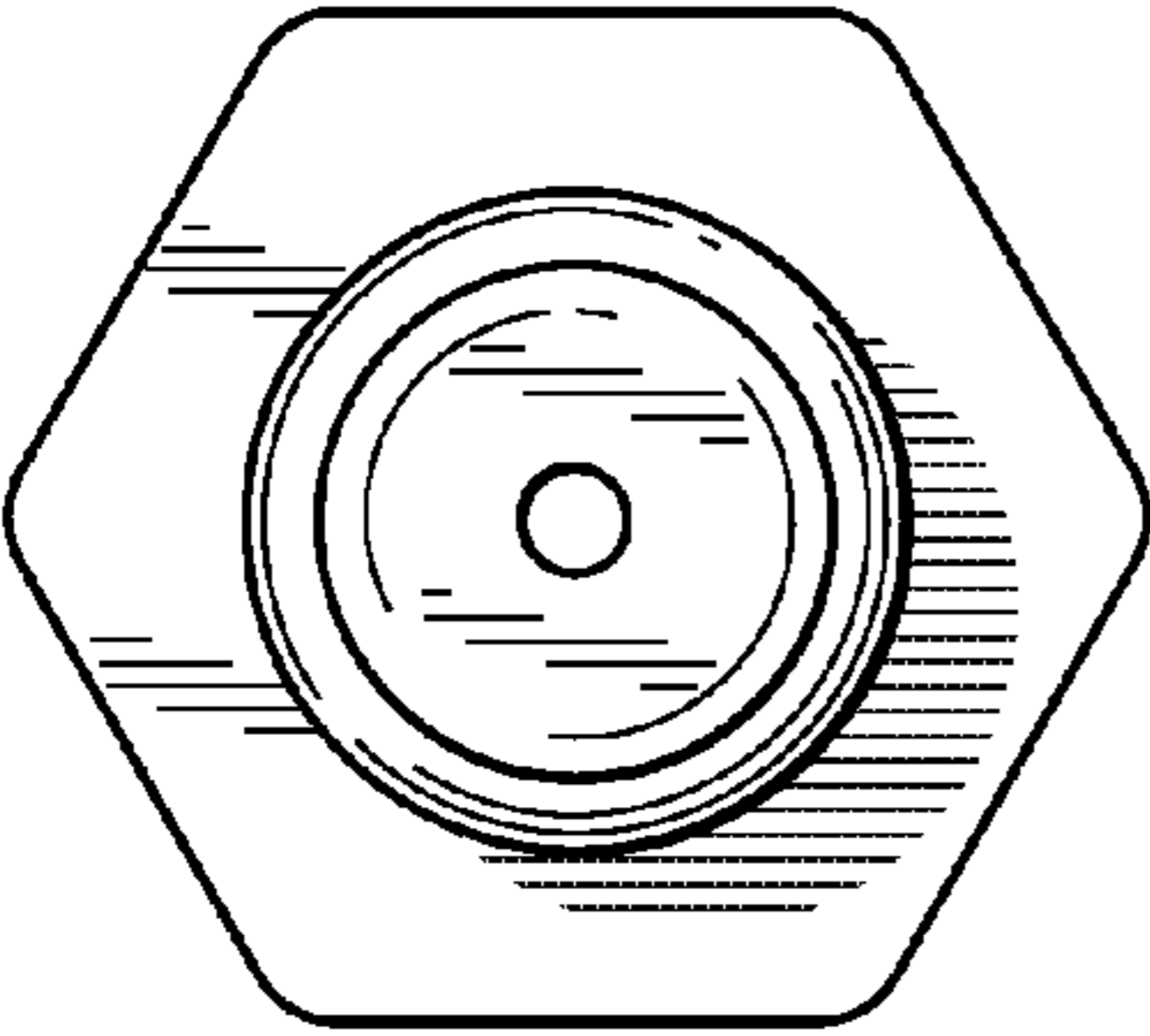


Fig. 3

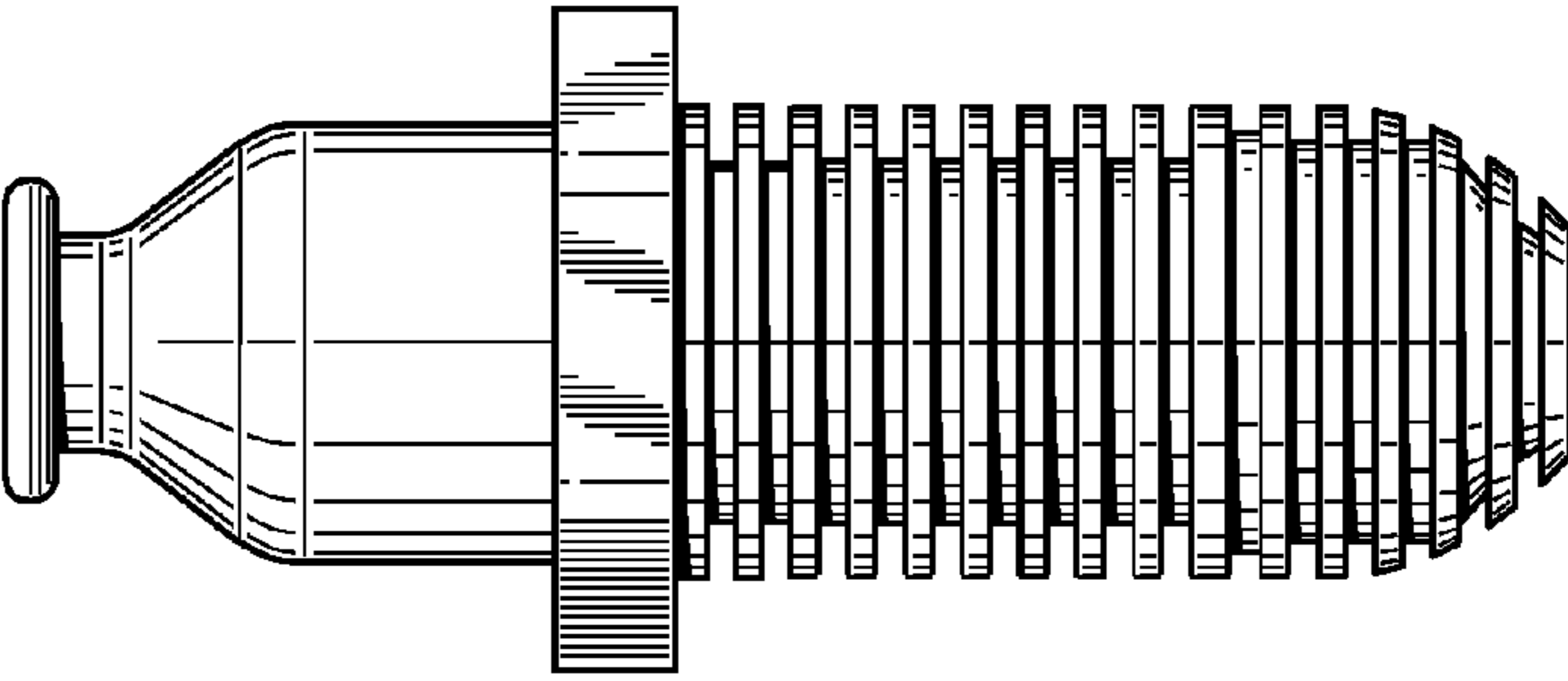


Fig. 4

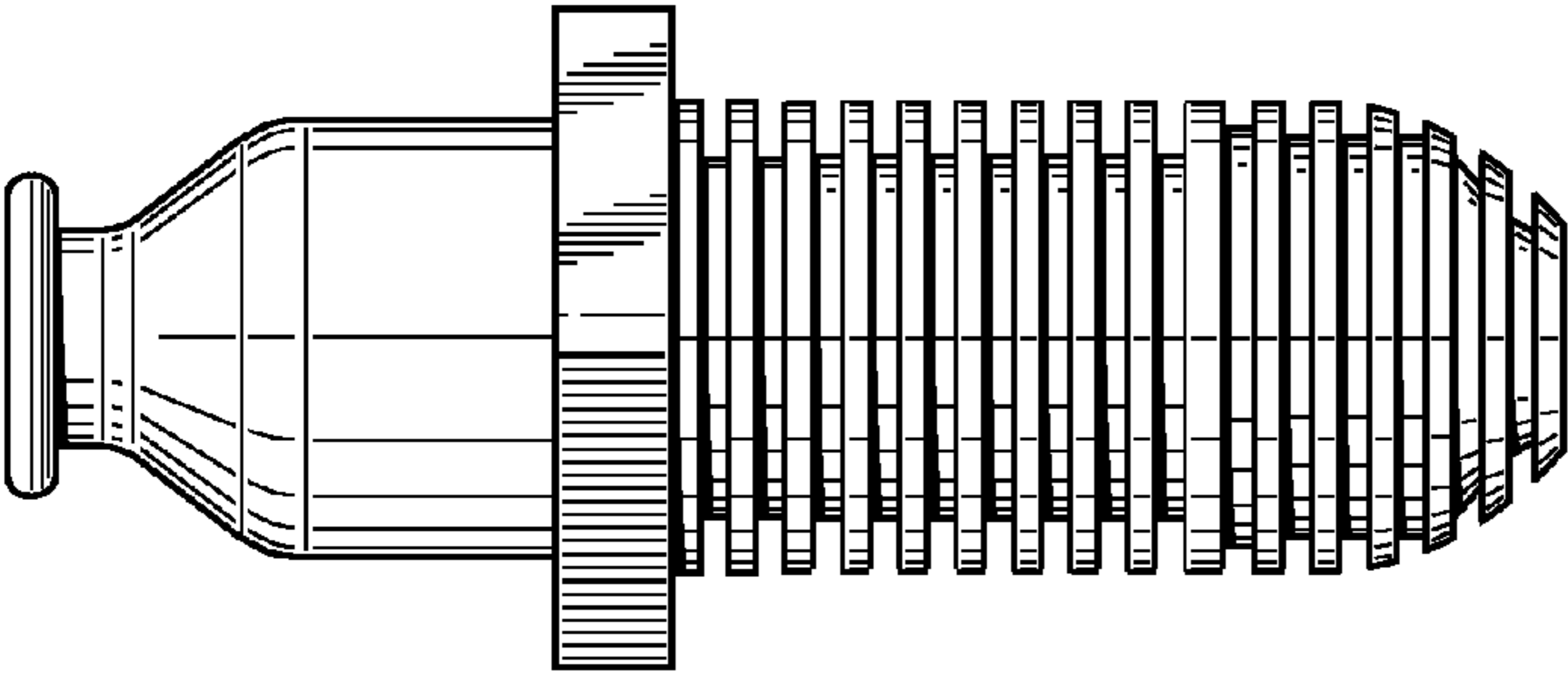


Fig. 5

