

US00D604005S

(12) **United States Design Patent**  
**Chan**

(10) **Patent No.:** **US D604,005 S**

(45) **Date of Patent:** **\*\* Nov. 10, 2009**

(54) **PORCH LIGHT**

(75) Inventor: **Wai Hong Chan**, Tuen Mun (HK)

(73) Assignee: **Sunrich Manufactory Ltd.**, Tuen Mun, N.T. (HK)

(\*\*) Term: **14 Years**

(21) Appl. No.: **29/334,039**

(22) Filed: **Mar. 19, 2009**

(51) **LOC (9) Cl.** ..... **26-03**

(52) **U.S. Cl.** ..... **D26/87**

(58) **Field of Classification Search** ..... D26/72,  
D26/85, 86, 87, 92; 362/147, 432  
See application file for complete search history.

(56) **References Cited**

U.S. PATENT DOCUMENTS

D50,684 S *	5/1917	Guth	.....	D26/87
D193,275 S *	7/1962	Atkin	.....	D26/87
D196,669 S *	10/1963	Lasker	.....	D26/87
D211,489 S *	6/1968	Bernadotte	.....	D26/87
D291,363 S *	8/1987	Schmidt	.....	D26/87
D296,015 S *	5/1988	Falconer et al.	.....	D26/72
D320,461 S *	10/1991	Pagani et al.	.....	D26/87
D337,846 S *	7/1993	Fiorato	.....	D26/85
D346,874 S *	5/1994	Fiorato	.....	D26/87
D350,621 S *	9/1994	Yuen	.....	D26/87

D389,592 S *	1/1998	Reiser	.....	D26/36
D408,938 S *	4/1999	Miyatake	.....	D26/87

\* cited by examiner

*Primary Examiner*—Clare E Heflin

(74) *Attorney, Agent, or Firm*—Lackenbach Siegel, LLP; Andrew F. Young

(57) **CLAIM**

The ornamental design for a porch light, as shown and described.

**DESCRIPTION**

FIG. 1 is a front perspective view of the porch light.

FIG. 2 is a top plan view of the porch light of FIG. 1.

FIG. 3 is a right elevational view of the porch light of FIG. 1, the left side being a mirror image thereof.

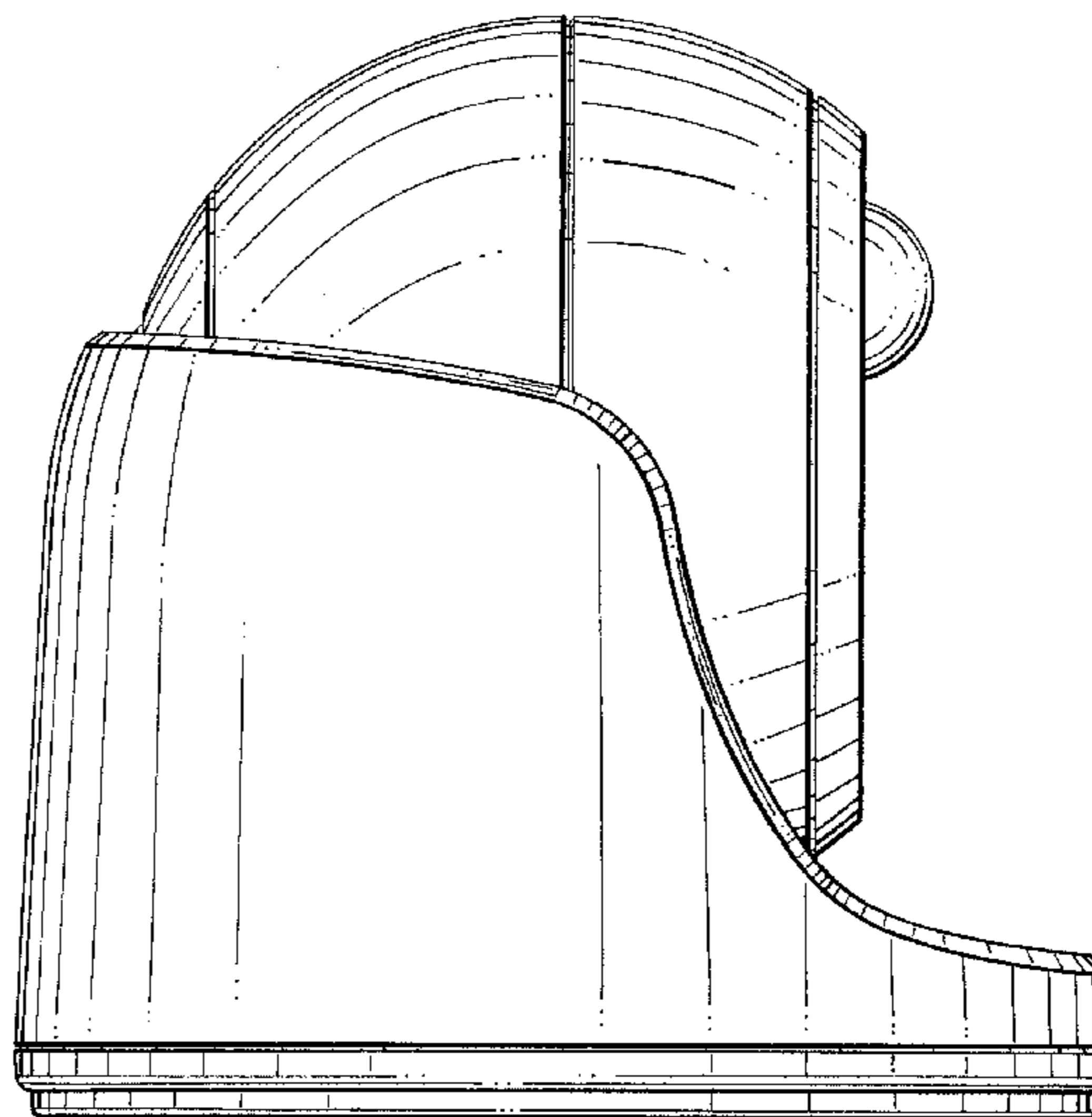
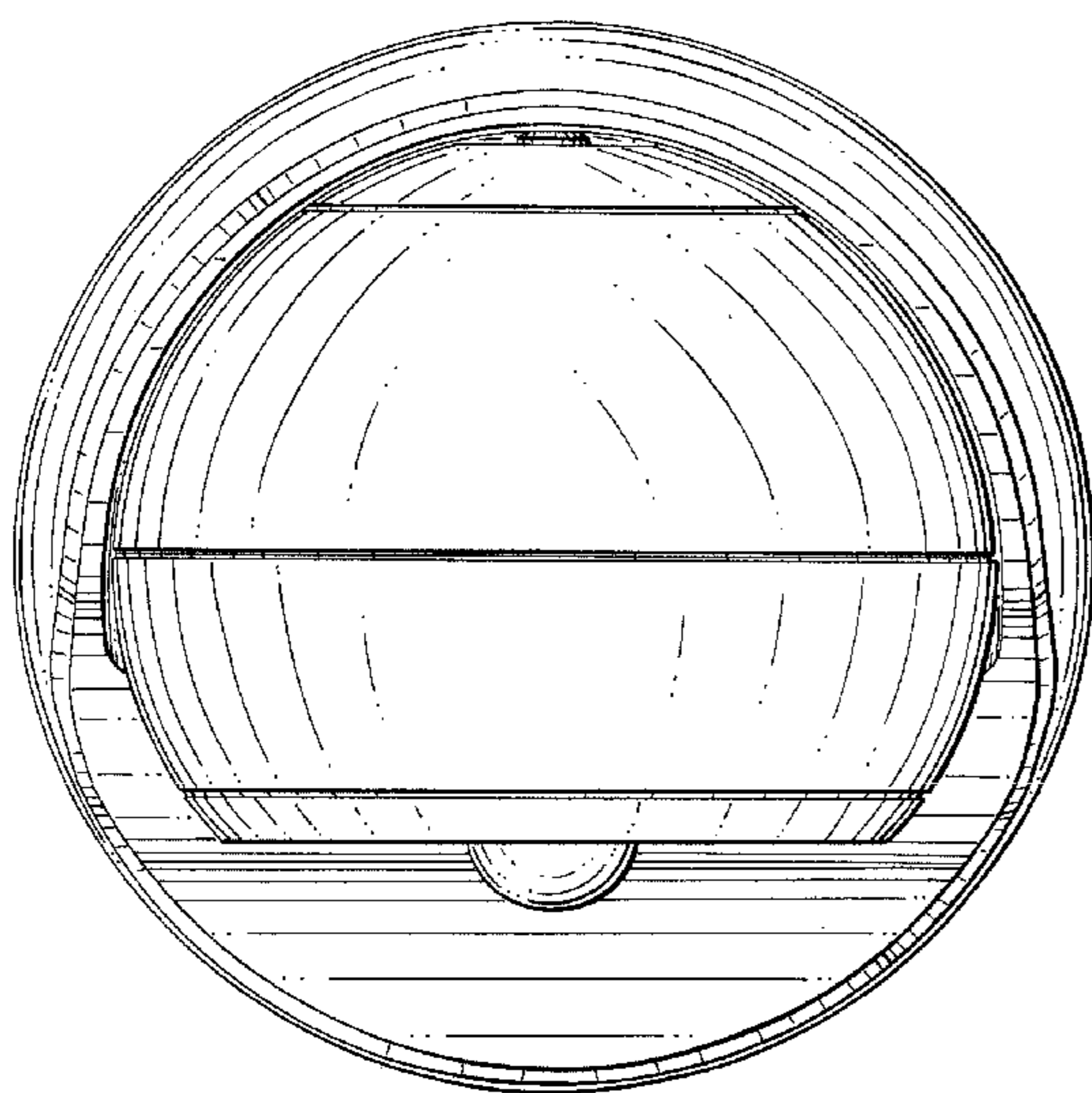
FIG. 4 is a back elevational view of the porch light of FIG. 1.

FIG. 5 is a bottom view of the porch light of FIG. 1; and,

FIG. 6 is an alternative front perspective view of the porch light of FIG. 1, with the top ball-housing in a rotated position to show the design thereon.

No claim is made to the central region of the porch light ball-housing window in FIG. 1 apart from the protruding bulb, or the central bottom portion in FIG. 5, both of which are shown in broken lines for illustration only.

**1 Claim, 6 Drawing Sheets**



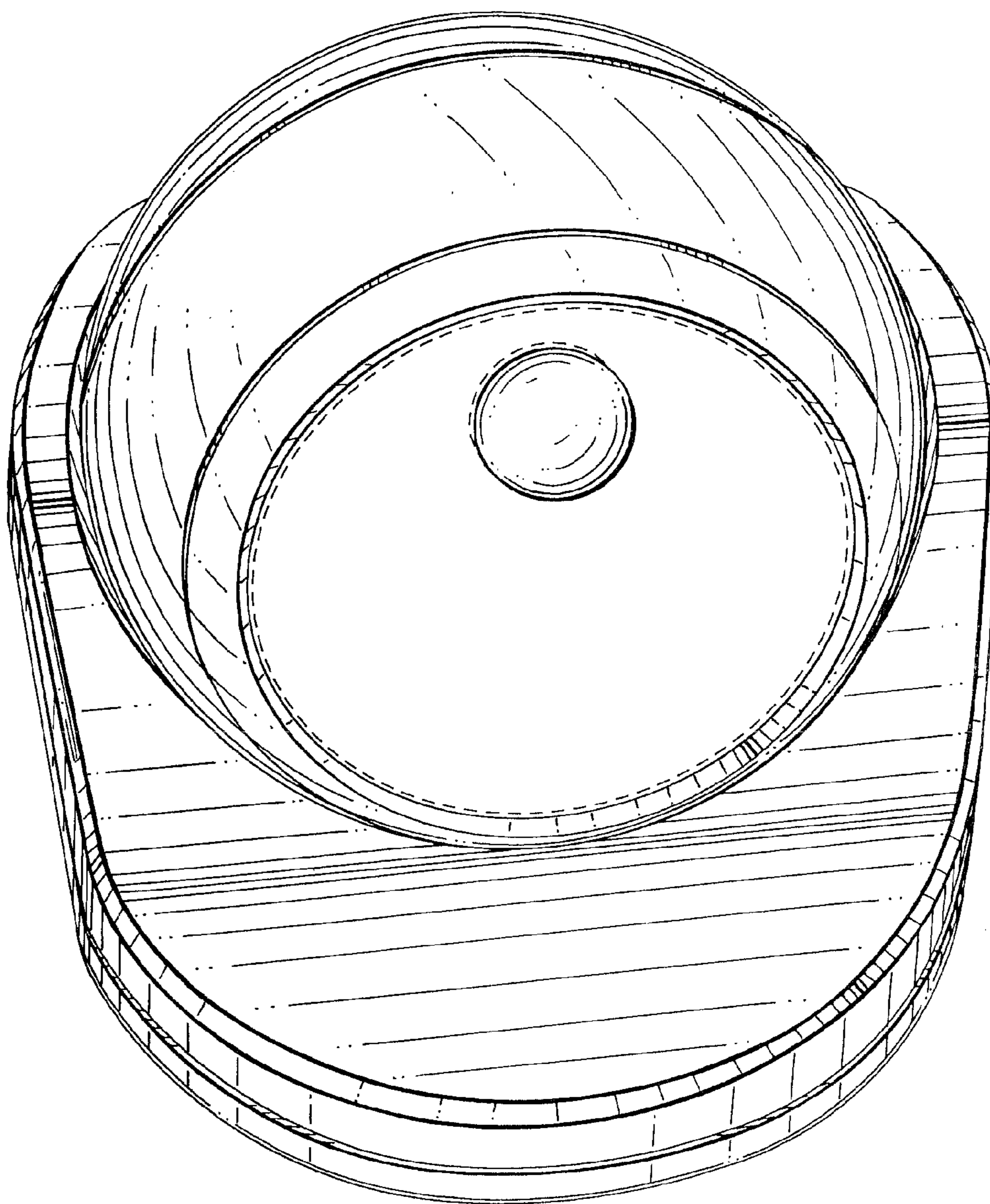


FIG. 1

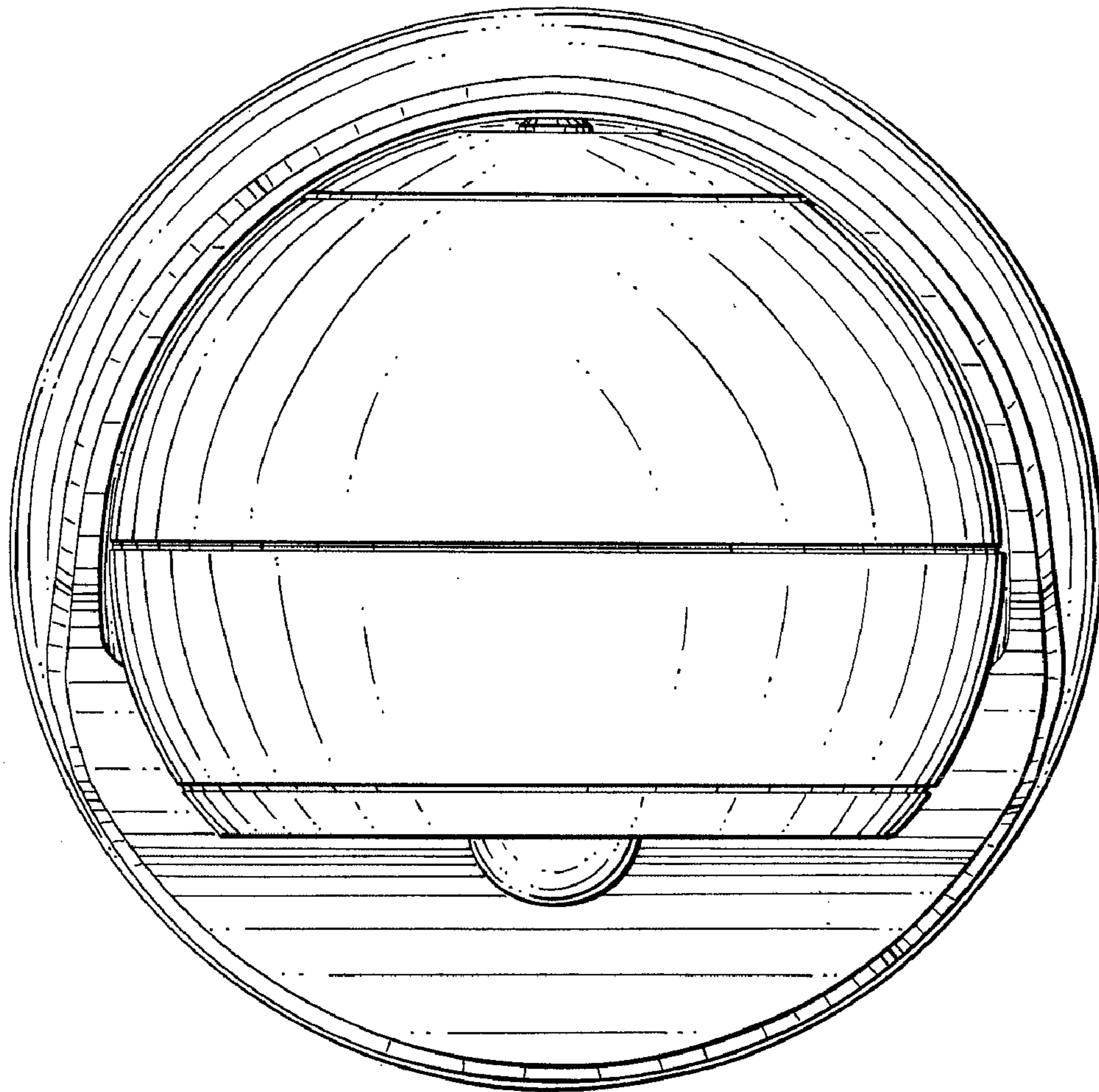


FIG. 2

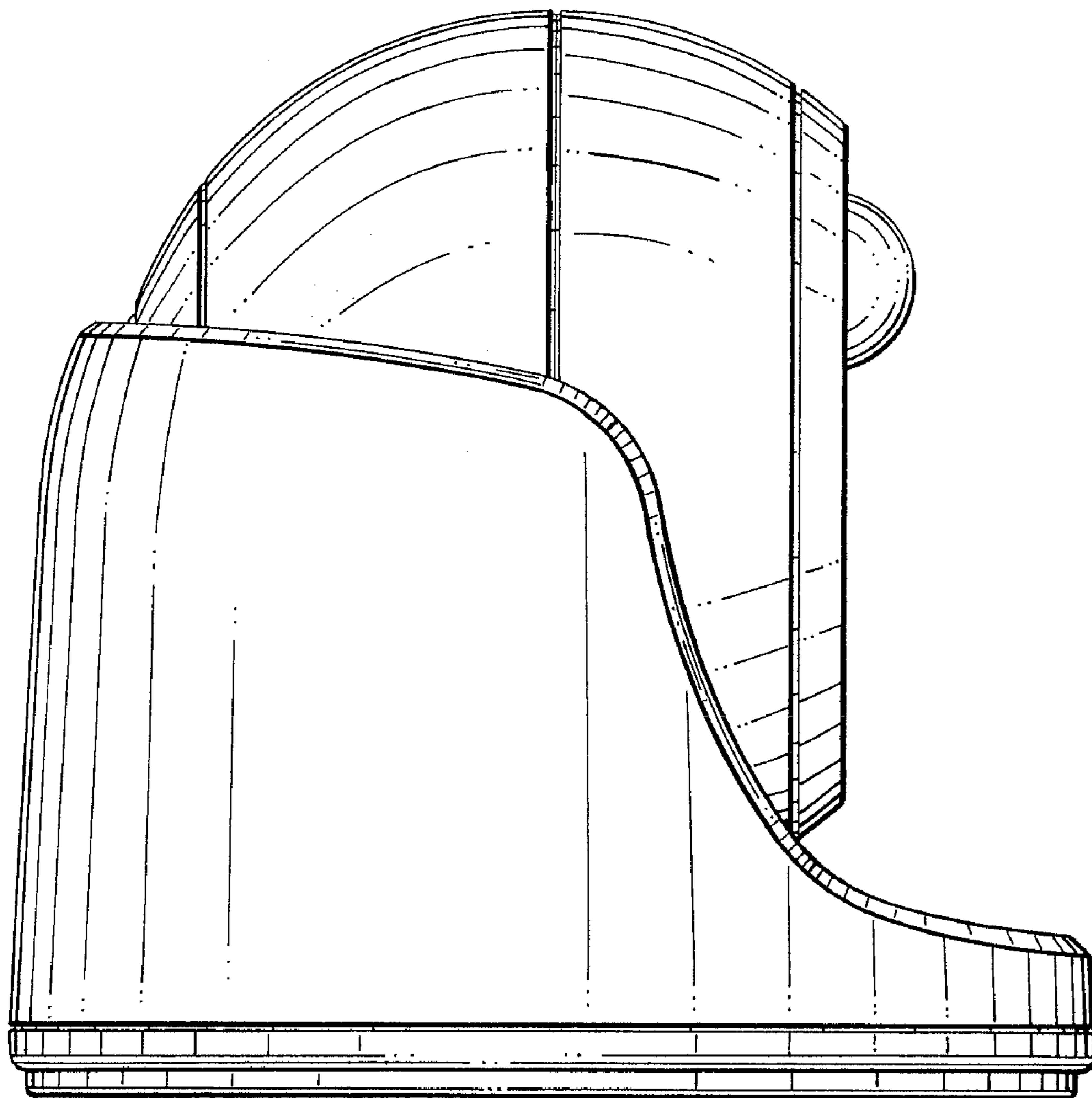


FIG. 3

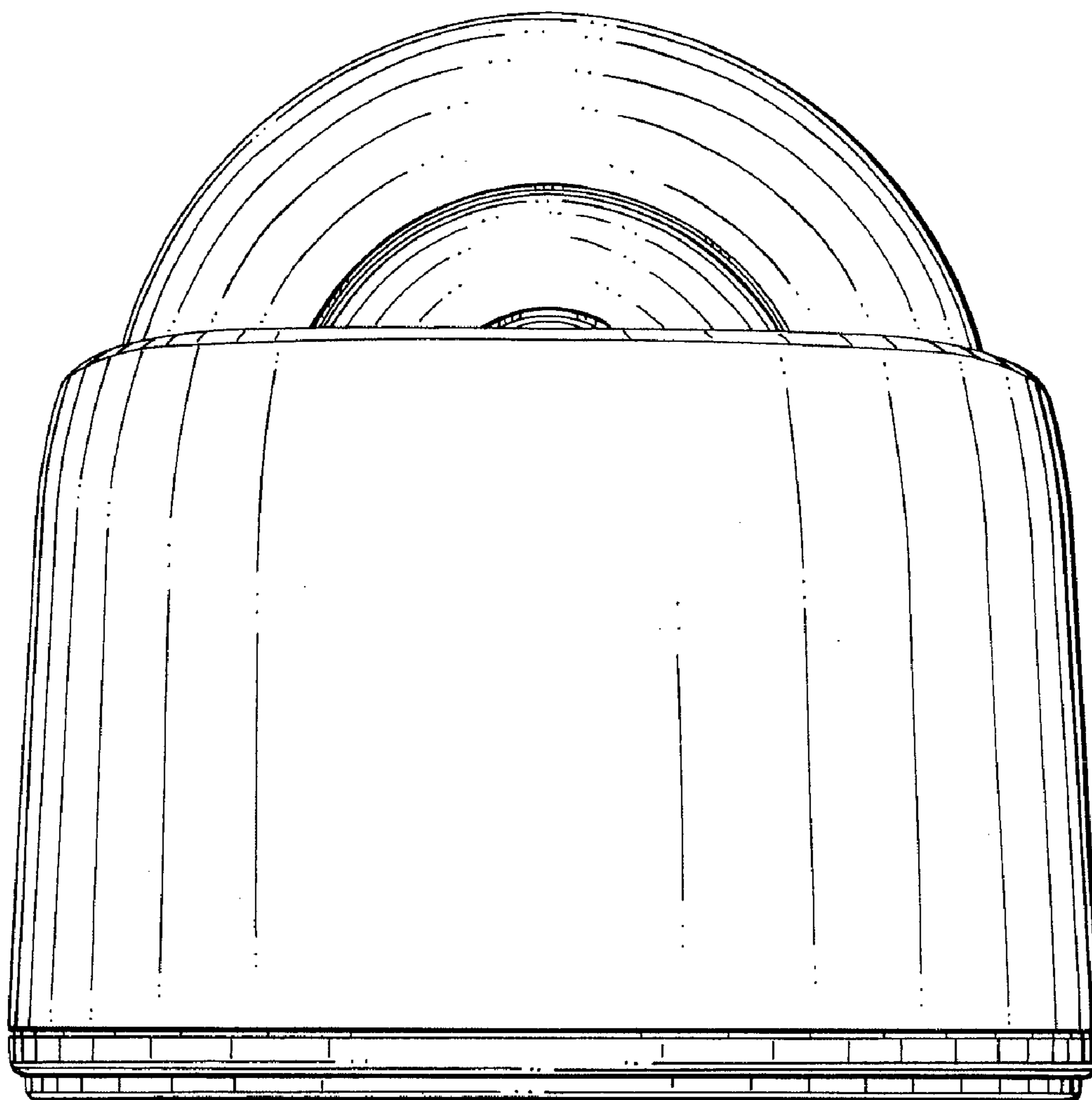


FIG. 4

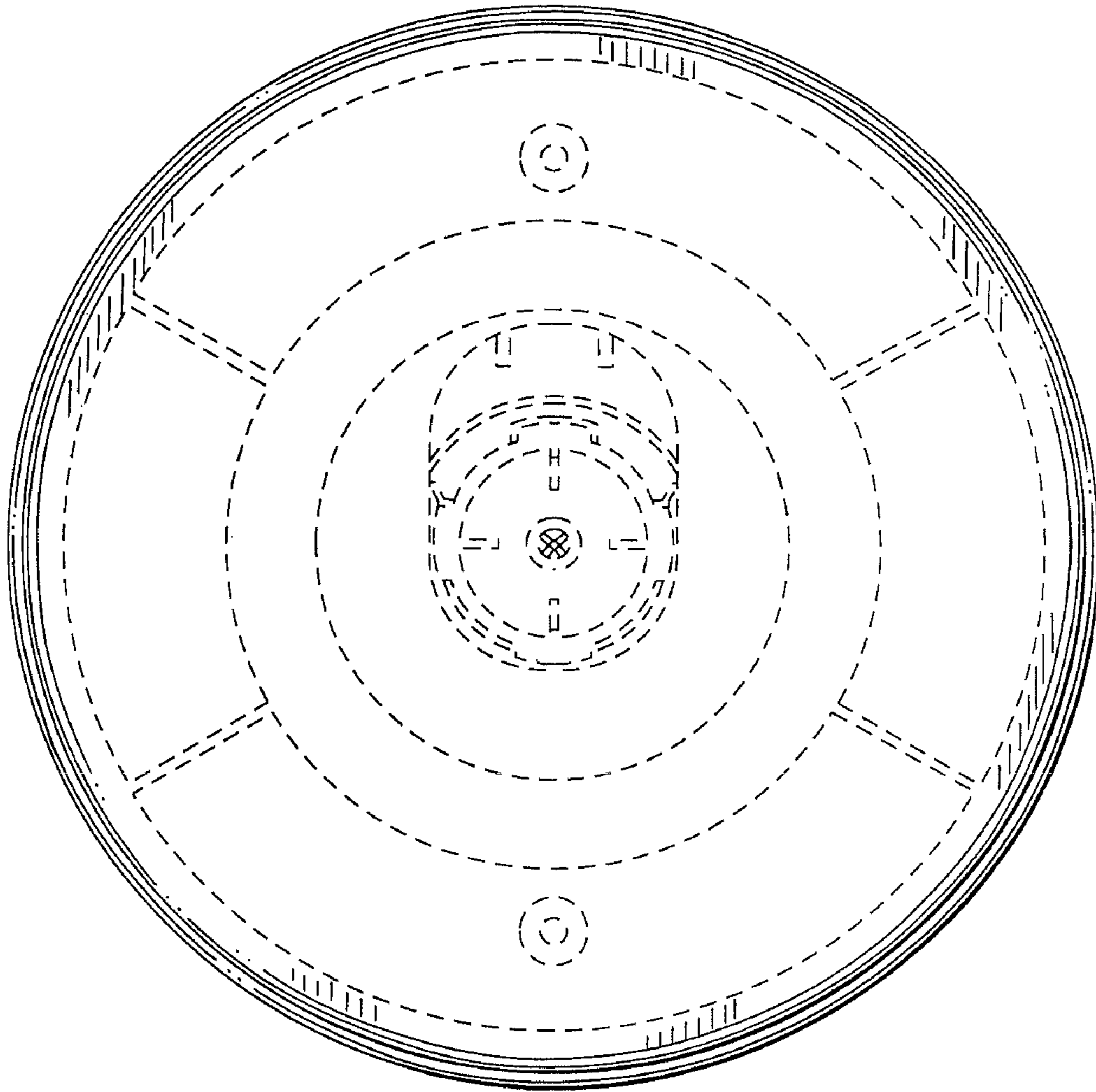


FIG. 5

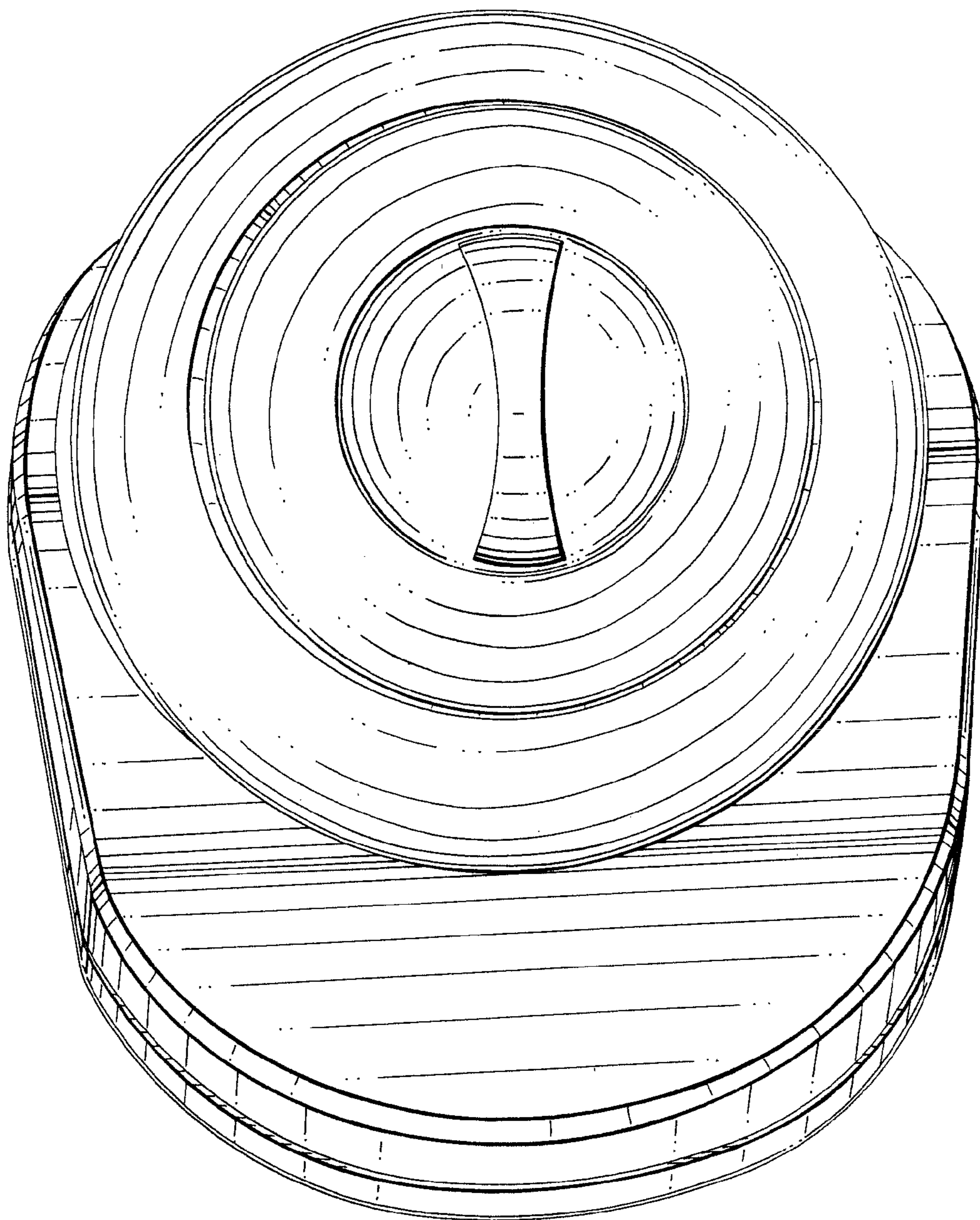


FIG. 6