



US00D604003S

(12) **United States Design Patent**
Sabernig

(10) **Patent No.:** **US D604,003 S**

(45) **Date of Patent:** **** Nov. 10, 2009**

(54) **LIGHT FIXTURE**

(75) Inventor: **Robert Sabernig**, Munster (AT)

(73) Assignee: **EGLO Leuchten GmbH**, Innsbruck (AT)

(**) Term: **14 Years**

(21) Appl. No.: **29/335,980**

(22) Filed: **Apr. 27, 2009**

Related U.S. Application Data

(63) Continuation-in-part of application No. 29/304,776, filed on Mar. 7, 2008.

(51) **LOC (9) Cl.** **26-03**

(52) **U.S. Cl.** **D26/83**

(58) **Field of Classification Search** D26/80-91, D26/128-137; 362/147, 317, 351, 404-408
See application file for complete search history.

(56) **References Cited**

U.S. PATENT DOCUMENTS

D47,610 S *	7/1915	Owen	D26/130
D134,482 S *	12/1942	Ganger	D26/81
D172,688 S *	7/1954	Ruskin	D26/81
D541,970 S *	5/2007	Blackman	D26/81
D558,386 S *	12/2007	Bickler et al.	D26/89
D583,981 S *	12/2008	Meyer et al.	D26/89
D583,982 S *	12/2008	Meyer et al.	D26/89
D583,983 S *	12/2008	Meyer et al.	D26/89
2005/0201082 A1 *	9/2005	Mauk et al.	362/147

OTHER PUBLICATIONS

All light fixtures from the "Vision" collection shown on pp. 153-158 of the ET2 2007 Lighting Catalog. © 2006. (7 pages).*
Helius Collection; Dual Island Light Chandelier; Model No. 16095; printed from www.lampsplus.com on Mar. 11, 2008.

* cited by examiner

Primary Examiner—Clare E Heflin

(74) *Attorney, Agent, or Firm*—Baker & McKenzie LLP

(57) **CLAIM**

The ornamental design for a light fixture, as shown and described.

DESCRIPTION

FIG. 1 is a perspective view of a light fixture in accordance with my design;

FIG. 2 is a side elevation view of the light fixture in accordance with my design, the opposite view being a mirror image of that shown;

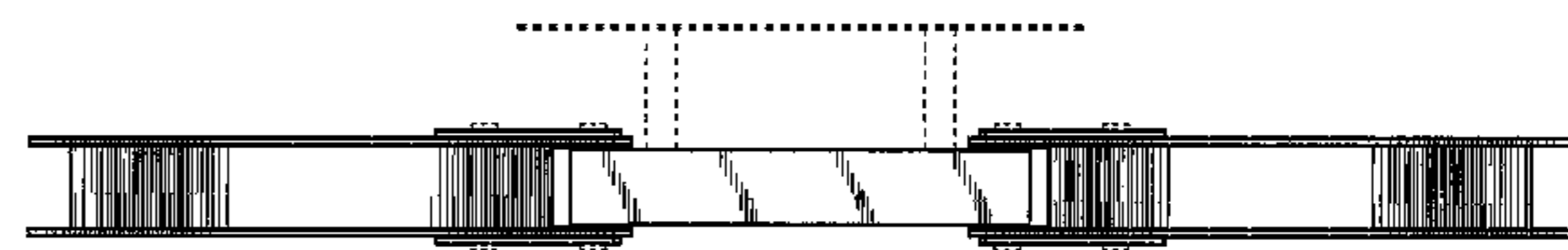
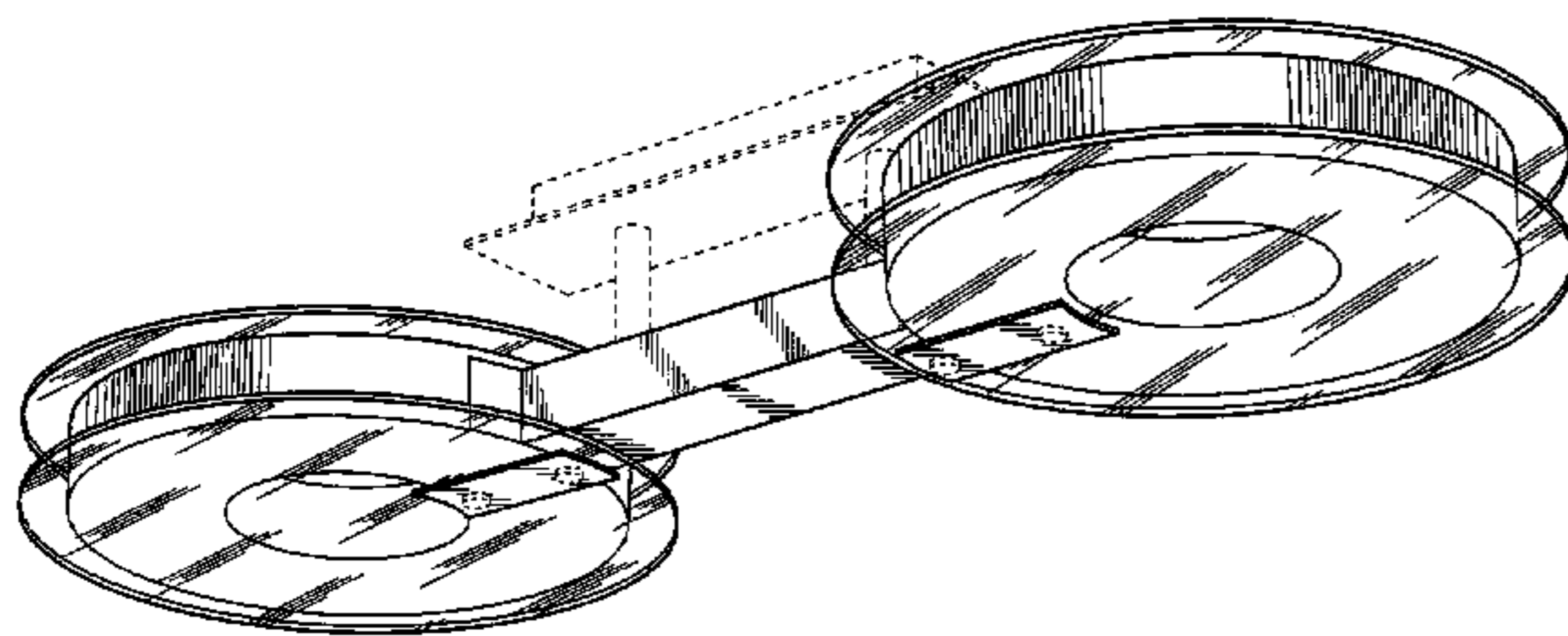
FIG. 3 is a front elevation view of the light fixture in accordance with my design, the opposite view being a mirror image of that shown;

FIG. 4 is a top plan view of the light fixture in accordance with my design; and,

FIG. 5 is a bottom plan view of the light fixture in accordance with my design.

The broken lines showing environmental structure are for illustrative purposes only and form no part of the claimed design.

1 Claim, 2 Drawing Sheets



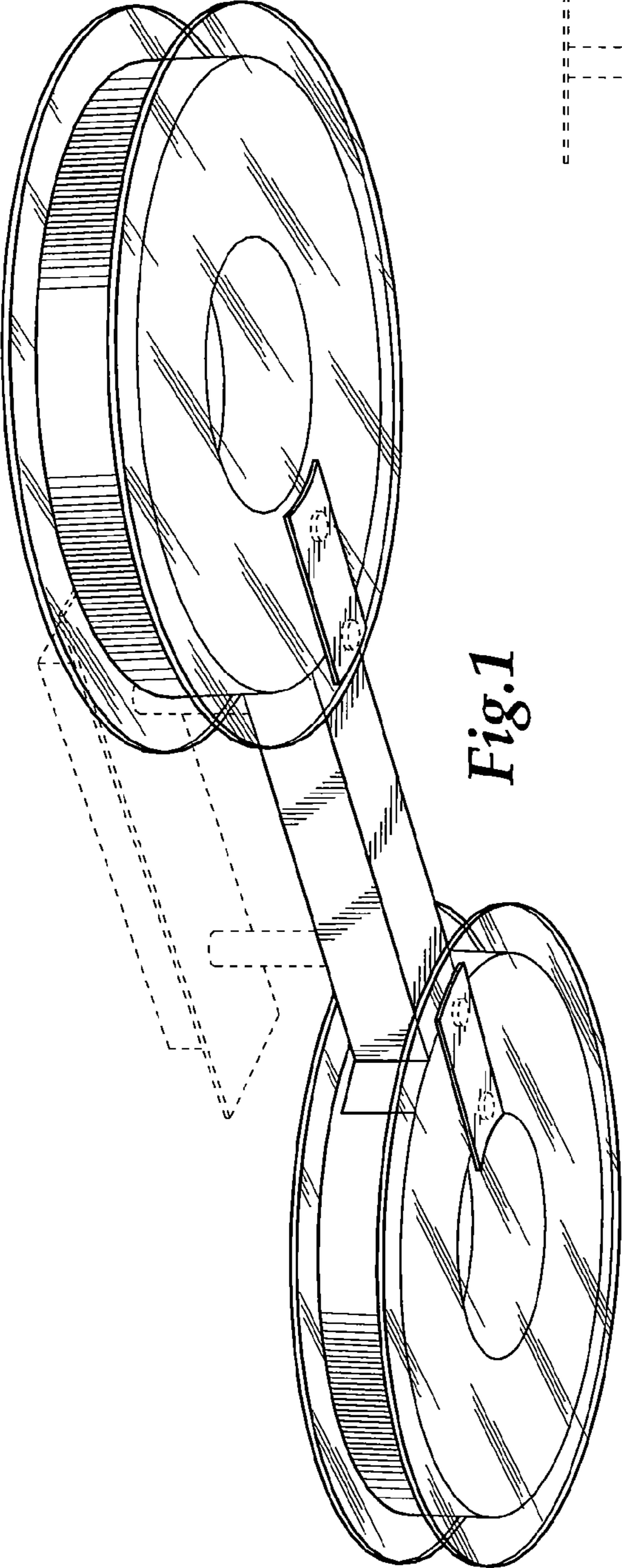


Fig. 1

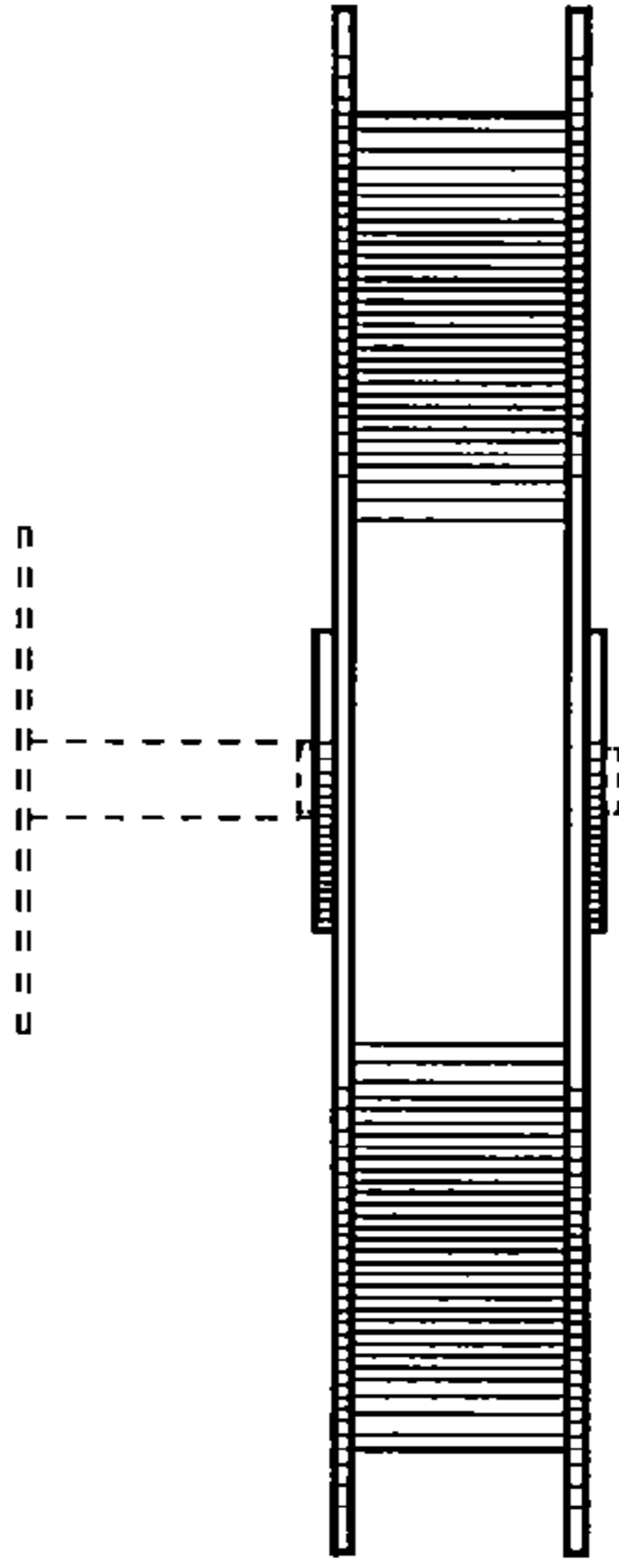


Fig. 2

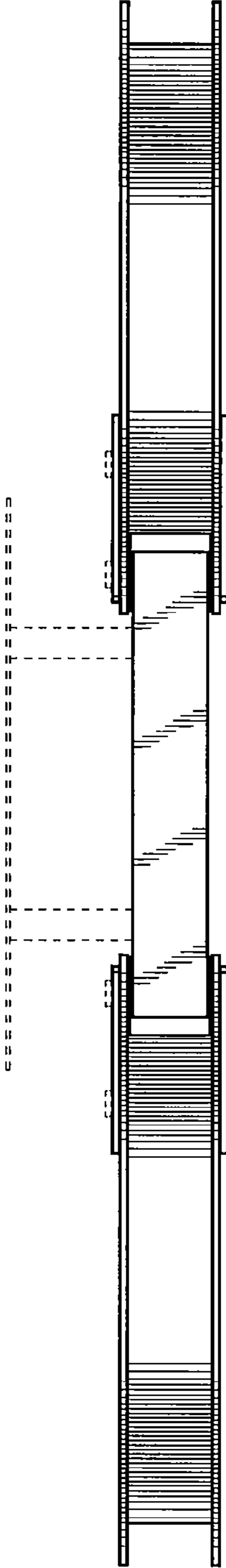


Fig. 3

Fig.4

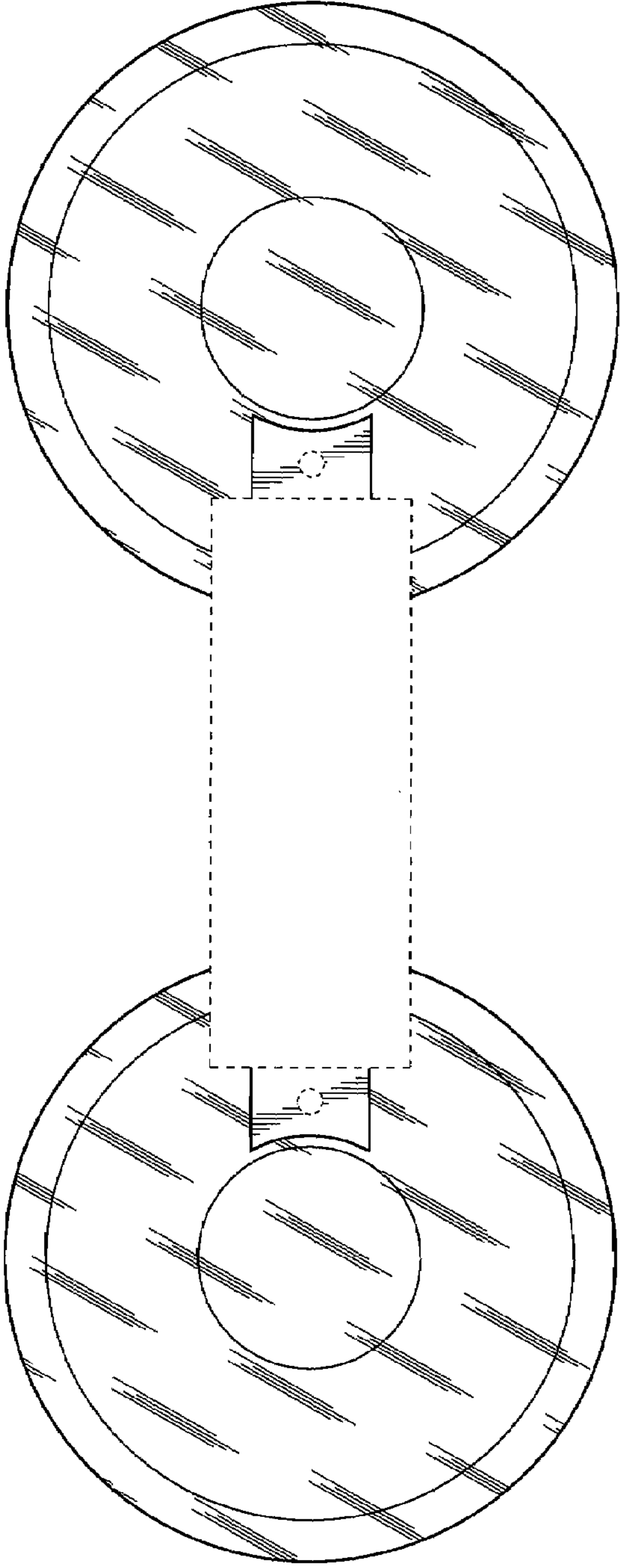


Fig.5

