

US00D603996S

(12) **United States Design Patent**
Chen

(10) **Patent No.:** **US D603,996 S**

(45) **Date of Patent:** **** Nov. 10, 2009**

(54) **SOLAR POWERED OUTDOOR LIGHT
FIXTURE**

(76) **Inventor:** **Chi Gon Chen**, c/o International
Development Corp., 899 Henrietta Dr.,
Roanoke, TX (US) 76262-6309

(**) **Term:** **14 Years**

(21) **Appl. No.:** **29/273,098**

(22) **Filed:** **Feb. 27, 2007**

(51) **LOC (9) Cl.** **26-05**

(52) **U.S. Cl.** **D26/67**

(58) **Field of Classification Search** D26/67-71,
D26/133-135; D22/123; 362/152, 183,
362/431

See application file for complete search history.

(56) **References Cited**

U.S. PATENT DOCUMENTS

D50,541 S * 3/1917 Wellman D26/67
D75,546 S * 6/1928 Buschman D26/2
D81,452 S * 6/1930 Osborn D26/141

D199,144 S * 9/1964 Daum D26/67
D208,325 S * 8/1967 Bobrick D26/67
D531,340 S * 10/2006 Victor D26/67
D539,957 S * 4/2007 Luo D26/67

* cited by examiner

Primary Examiner—Clare E Heflin

(57) **CLAIM**

I claim the ornamental design for a solar powered outdoor
light fixture, as shown and described.

DESCRIPTION

FIG. 1 is a perspective view;

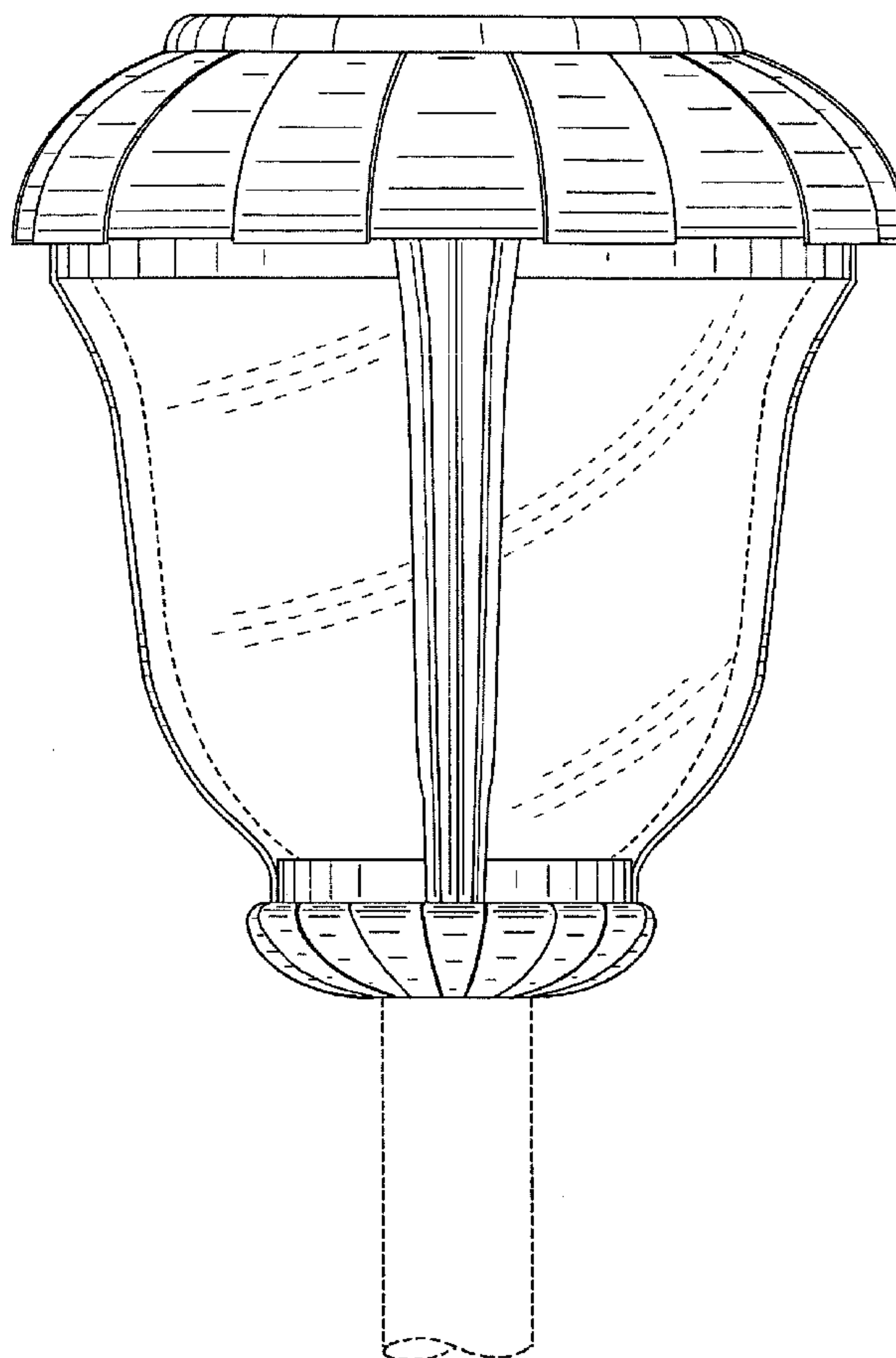
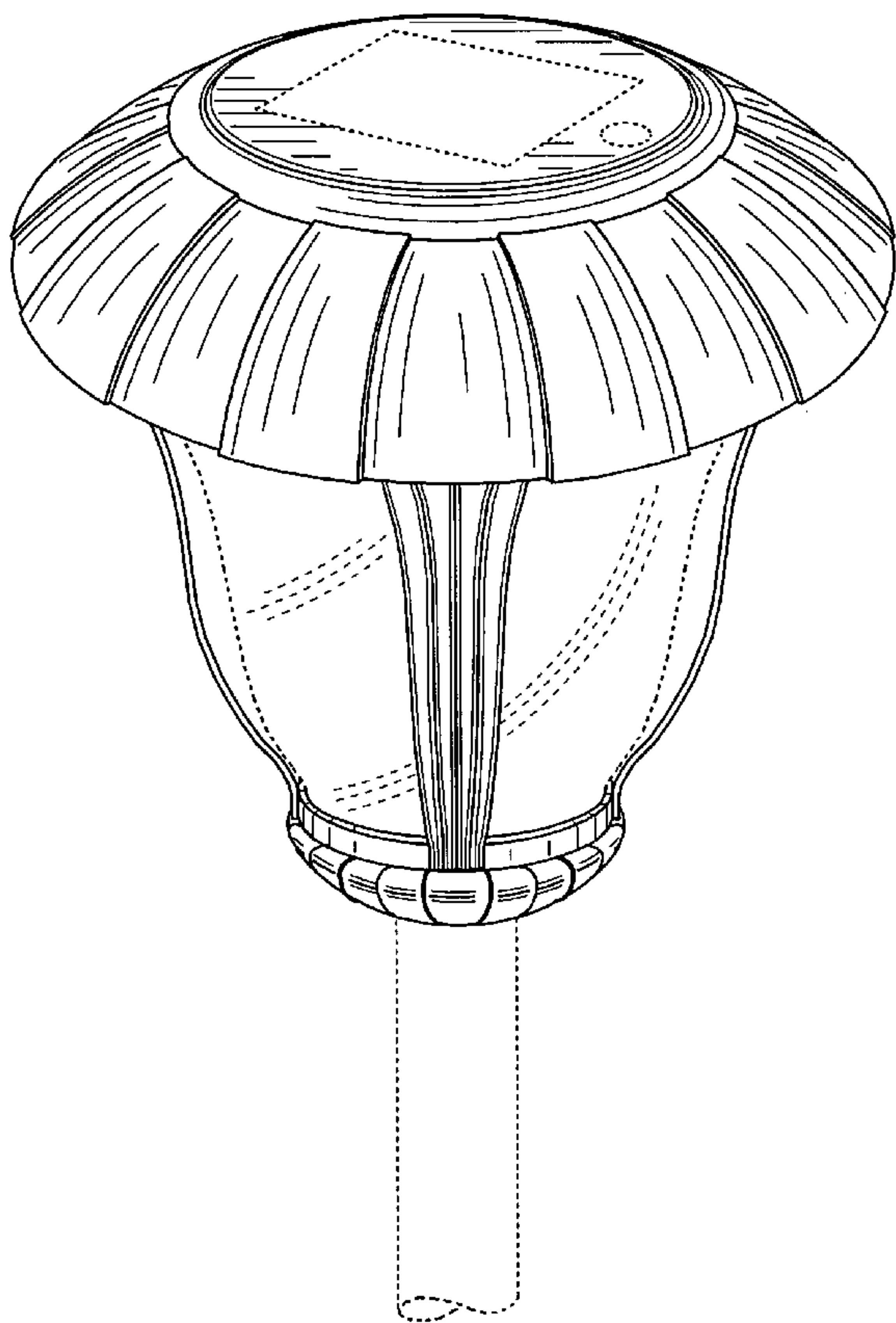
FIG. 2 is a top plan view;

FIG. 3 is a front elevational view; the left side elevational
view, the right side elevational view and the rear elevational
view being the same; and,

FIG. 4 is a bottom plan view.

The broken lines shown on the drawings are for illustrative
purposes only and form no part of the claimed design.

1 Claim, 4 Drawing Sheets



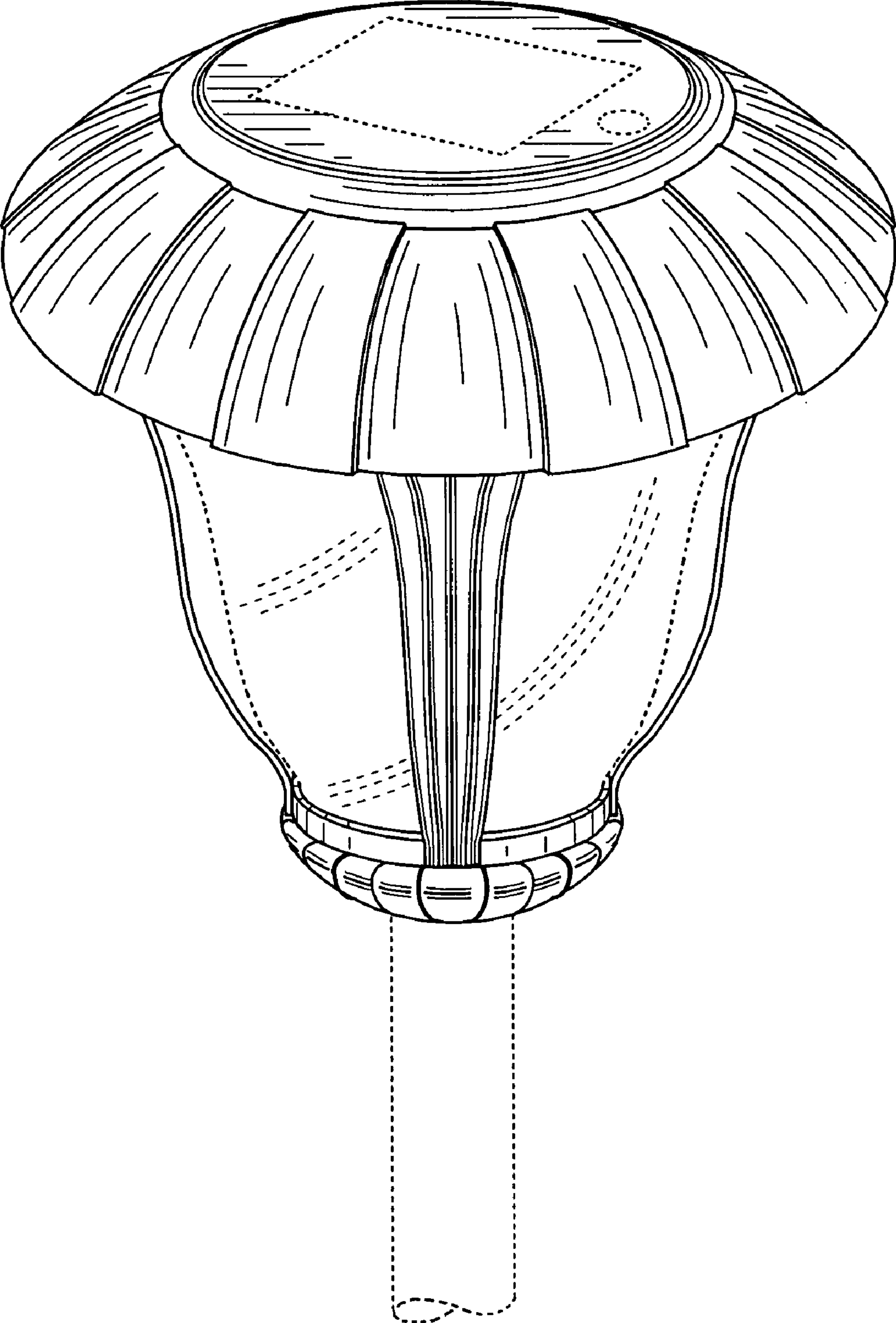


Fig. 1

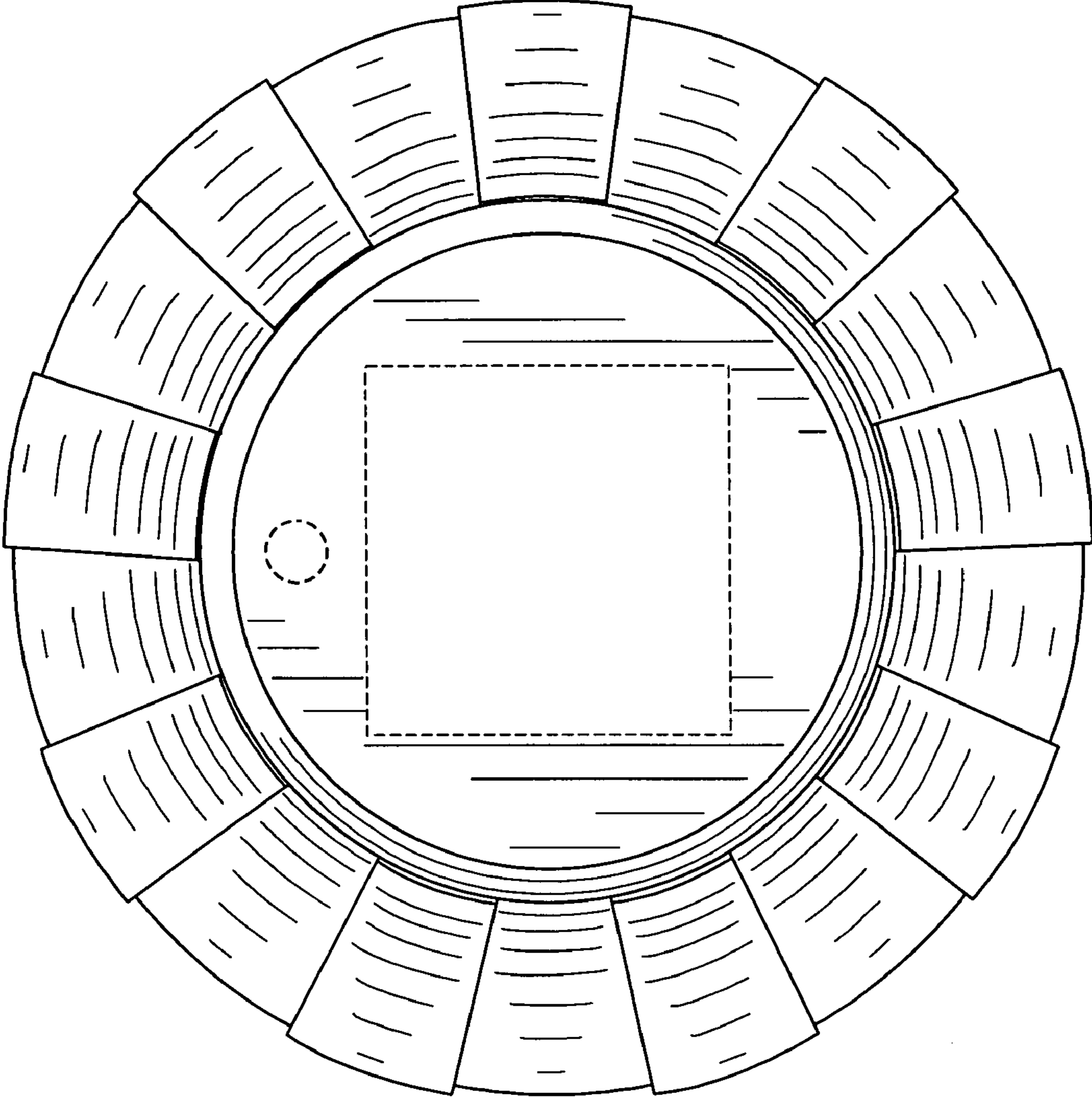


Fig. 2

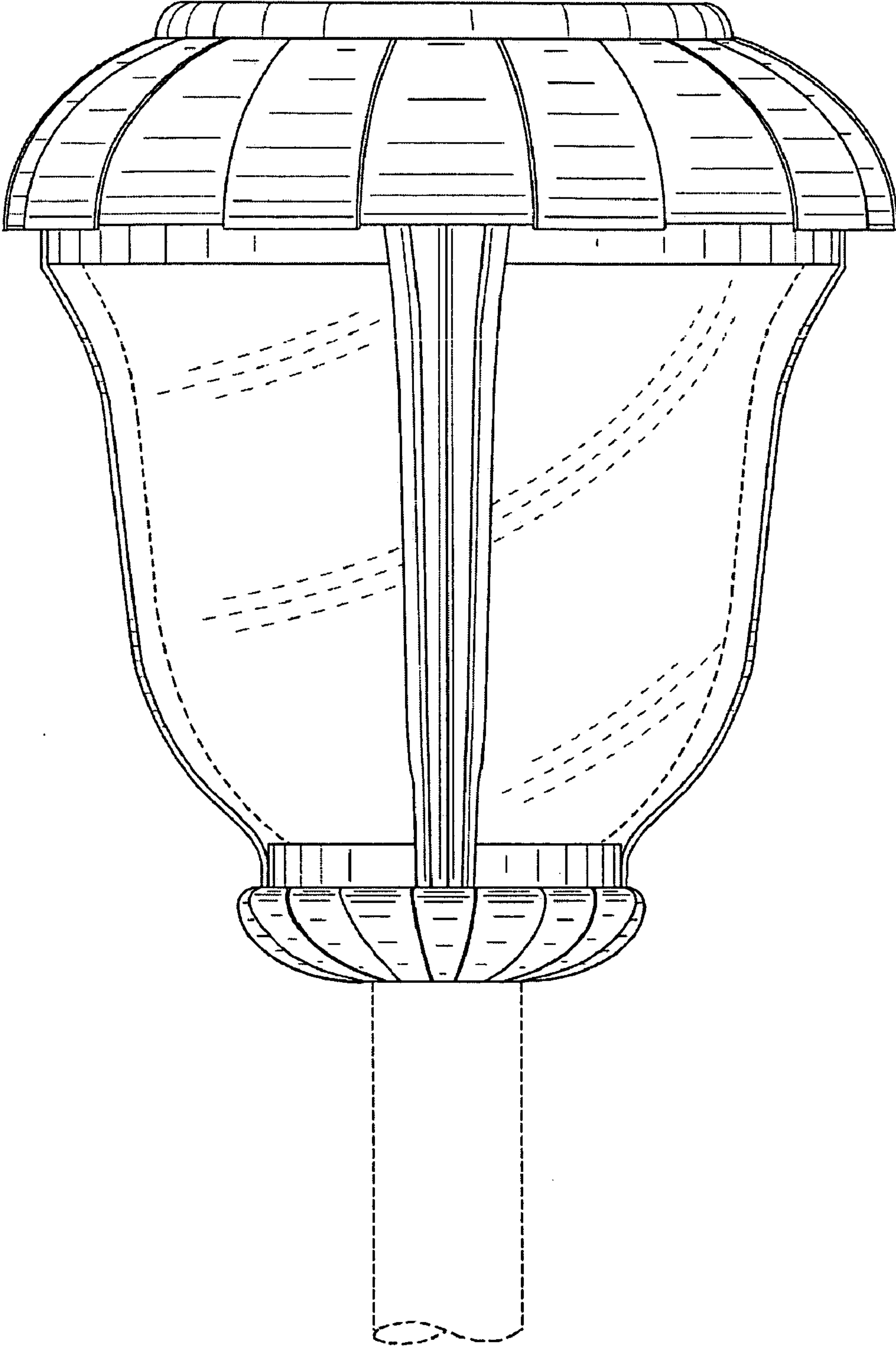


Fig. 3

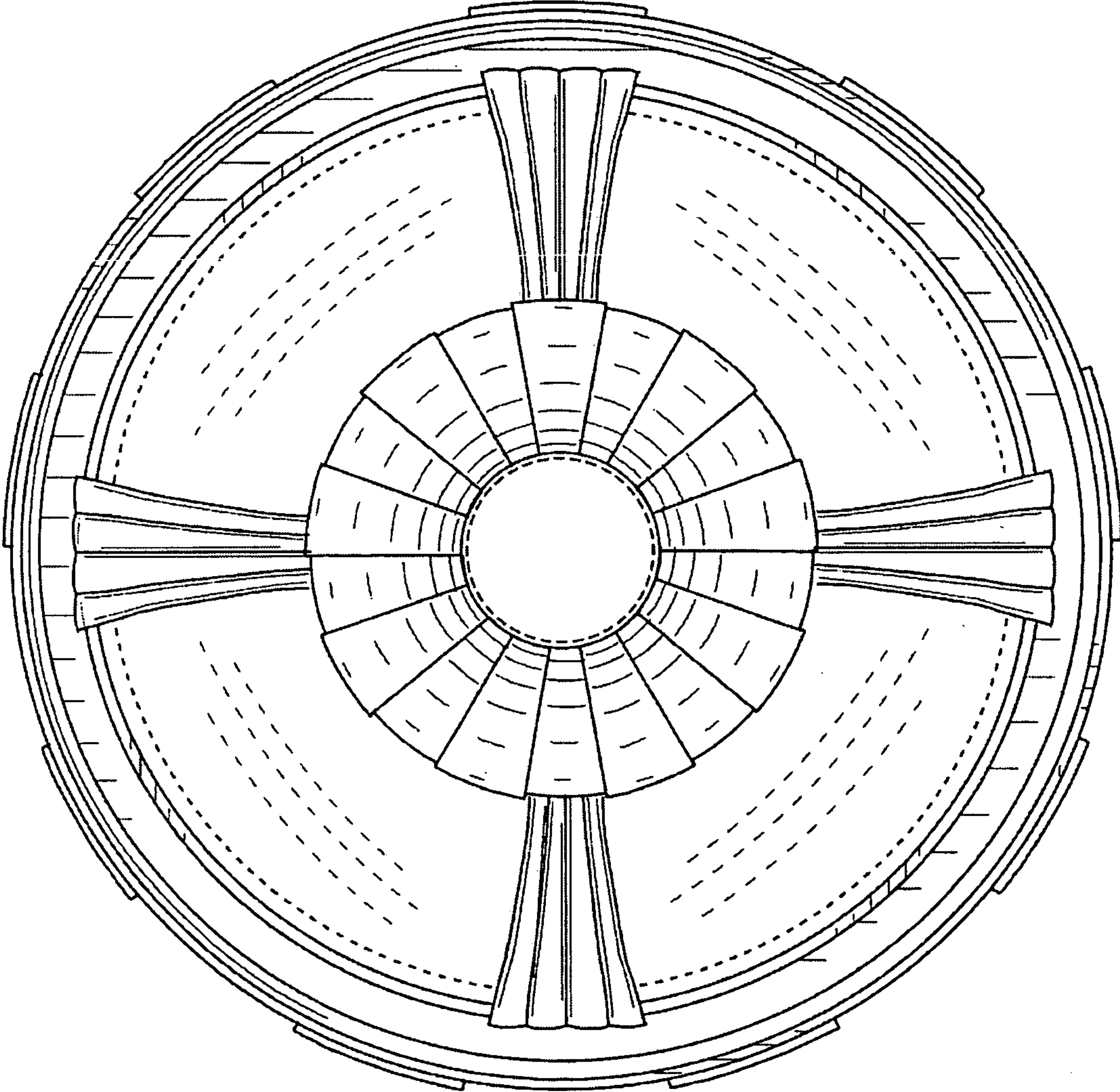


Fig. 4