



US00D603993S

(12) **United States Design Patent**
Sabernig

(10) **Patent No.:** **US D603,993 S**

(45) **Date of Patent:** **** Nov. 10, 2009**

(54) **LIGHT FIXTURE**

(75) Inventor: **Robert Sabernig**, Munster (AT)

(73) Assignee: **EGLO Leuchten GmbH**, Innsbruck (AT)

(**) Term: **14 Years**

(21) Appl. No.: **29/324,064**

(22) Filed: **Sep. 5, 2008**

(51) **LOC (9) Cl.** **26-05**

(52) **U.S. Cl.** **D26/65**

(58) **Field of Classification Search** D26/61-66,
D26/24, 43, 44, 45, 50, 51, 56, 60, 67, 87,
D26/92, 93, 103, 113, 138, 141, 140, 145,
D26/142, 107, 108, 118; 362/269, 270, 277,
362/278, 282, 285, 287, 296.09, 311.11,
362/388, 401, 413, 418, 431, 217.06, 217.07,
362/217.15, 217.16, 217.17, 249.07, 249.08,
362/249.1, 135, 138, 139, 142, 143, 144,
362/153, 219, 220, 223

See application file for complete search history.

(56) **References Cited**

U.S. PATENT DOCUMENTS

D262,407 S *	12/1981	Ball	D26/24
D269,297 S *	6/1983	Lebowitz	D26/65
4,858,092 A *	8/1989	Lu	362/413
D312,887 S *	12/1990	Magistretti	D26/65
5,101,332 A *	3/1992	Hsia	362/401
D330,437 S *	10/1992	Wu	D26/63
D349,973 S *	8/1994	Lam	D26/65
D463,598 S *	9/2002	Sonneman	D26/65
D470,965 S *	2/2003	Landefeld	D26/71

D476,440 S *	6/2003	Lee et al.	D26/65
D485,929 S *	1/2004	Cvek	D26/65
D500,156 S *	12/2004	Kao	D26/61
2002/0163807 A1 *	11/2002	Lee et al.	362/253

* cited by examiner

Primary Examiner—Jennifer Rivard

Assistant Examiner—Angela J Lee

(74) *Attorney, Agent, or Firm*—Baker & McKenzie LLP

(57) **CLAIM**

The ornamental design for a light fixture, as shown and described.

DESCRIPTION

FIG. 1 is a top perspective view of a light fixture in accordance with my design;

FIG. 2 is a front elevation view of the light fixture in accordance with my design;

FIG. 3 is a bottom plan view of the light fixture in accordance with my design;

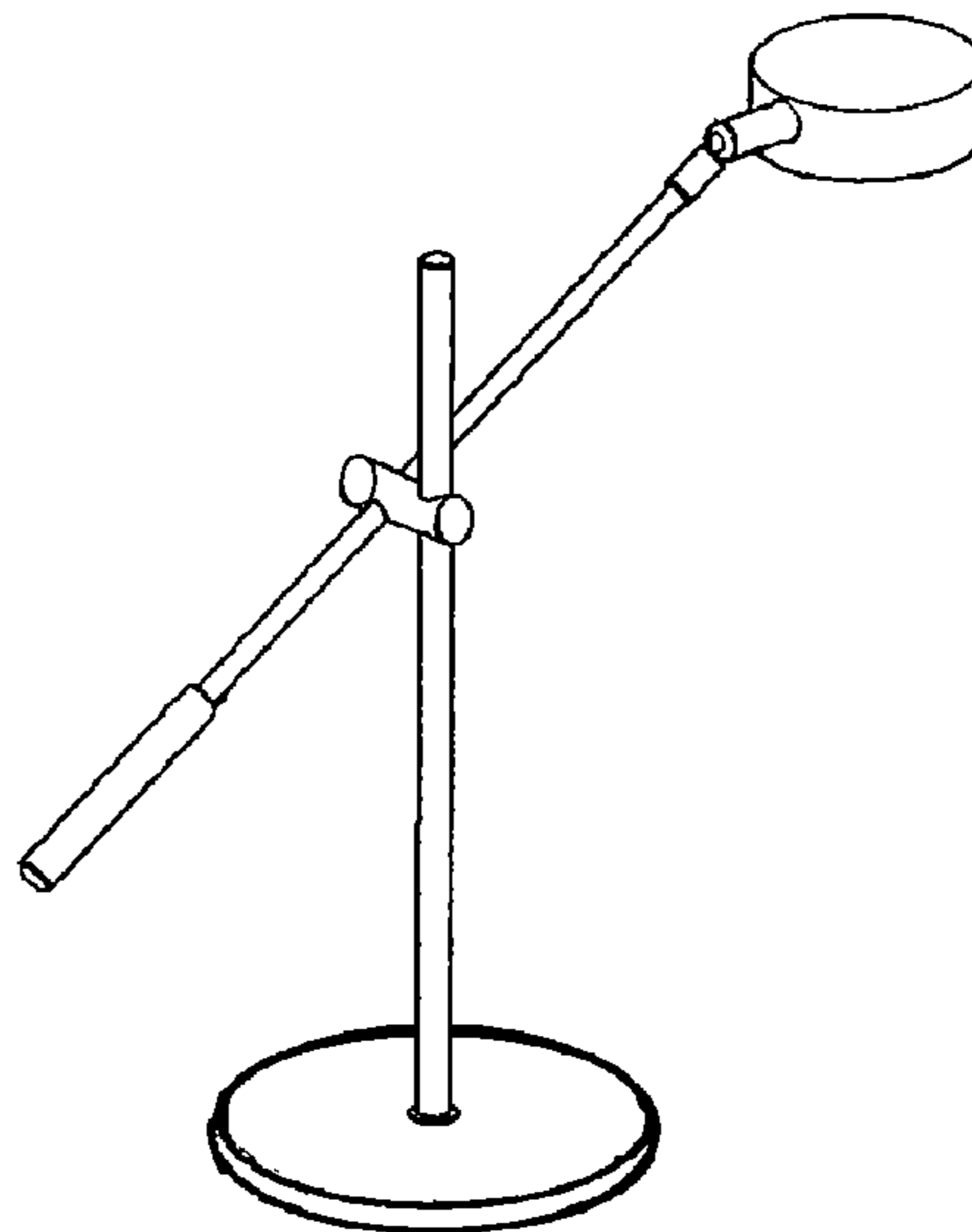
FIG. 4 is a side elevation view of the light fixture in accordance with my design, the opposite side being a mirror image of that shown;

FIG. 5 is a top plan view of the light fixture in accordance with my design; and,

FIG. 6 is a back elevation view of the light fixture in accordance with my design.

The broken lines showing environmental structure are for illustrative purposes only and form no part of the claimed design.

1 Claim, 1 Drawing Sheet



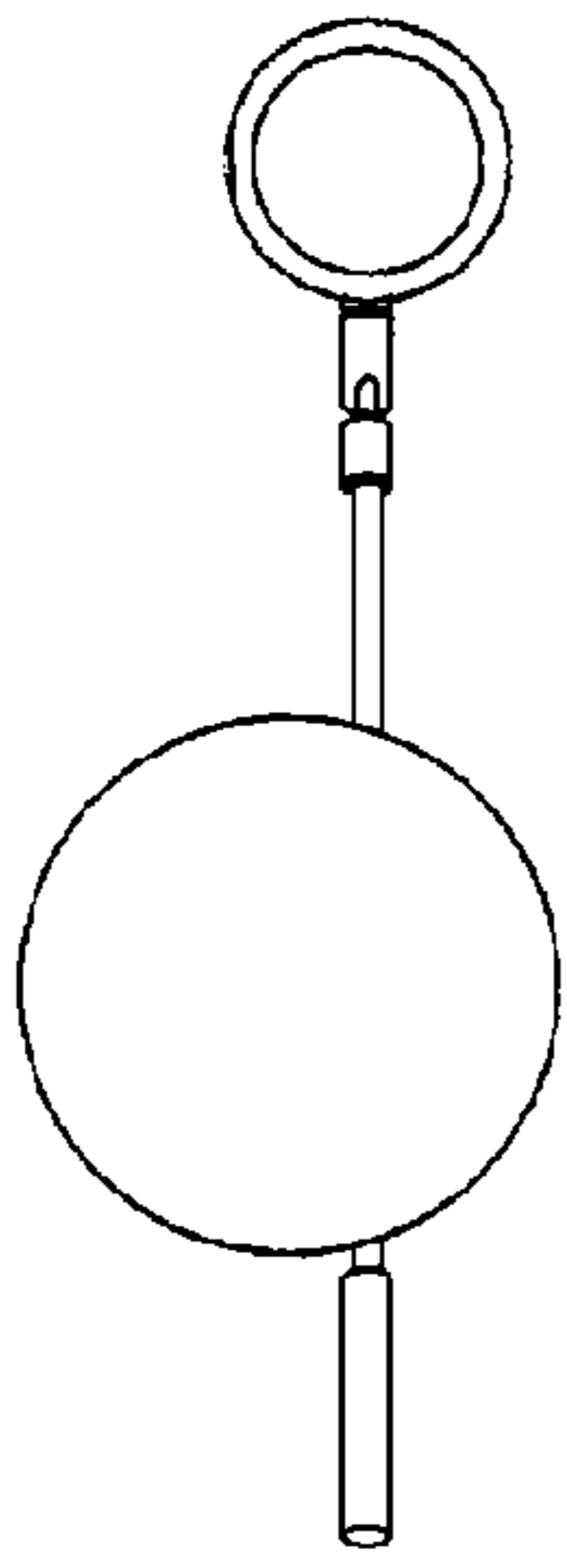


Fig.3

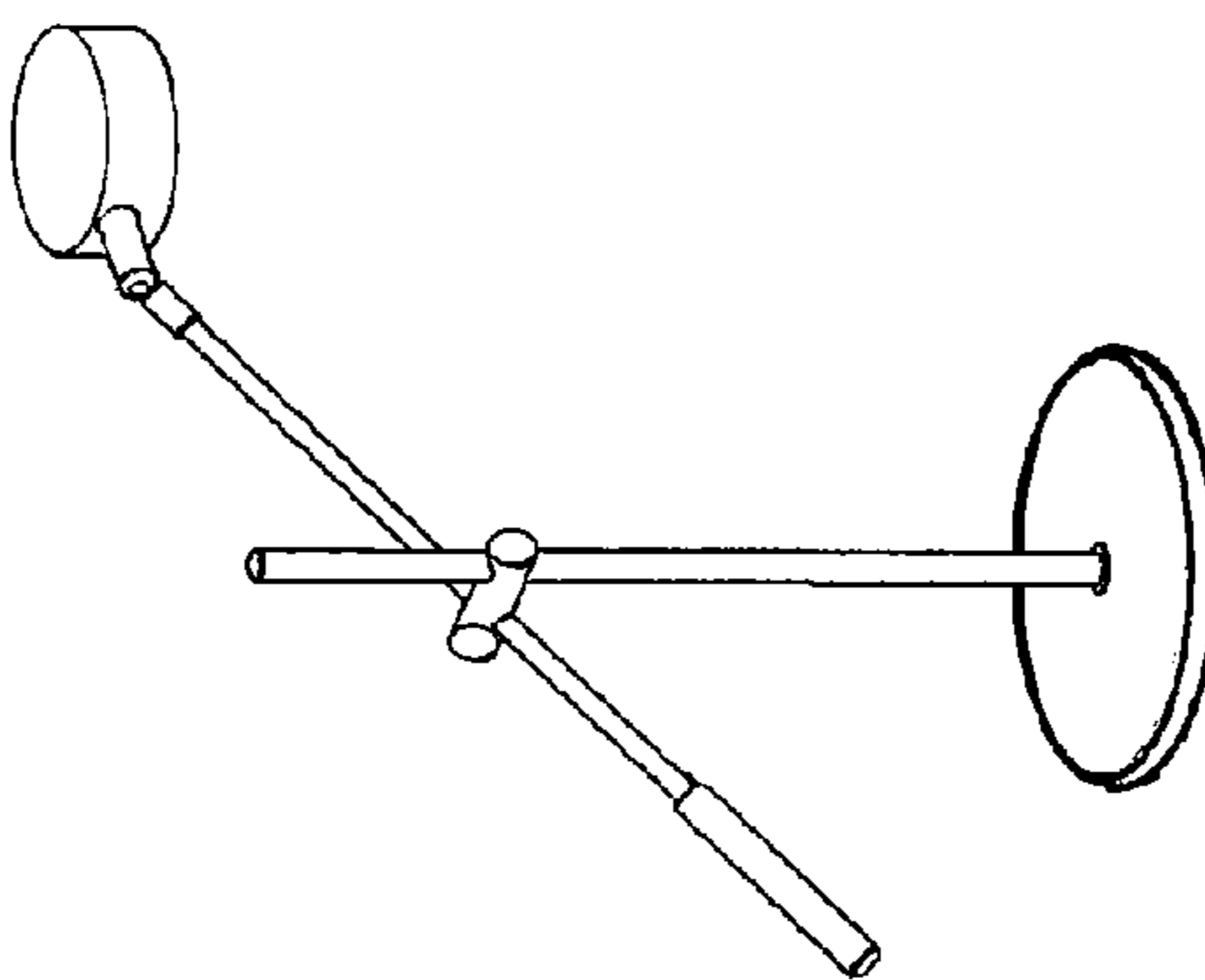


Fig.1

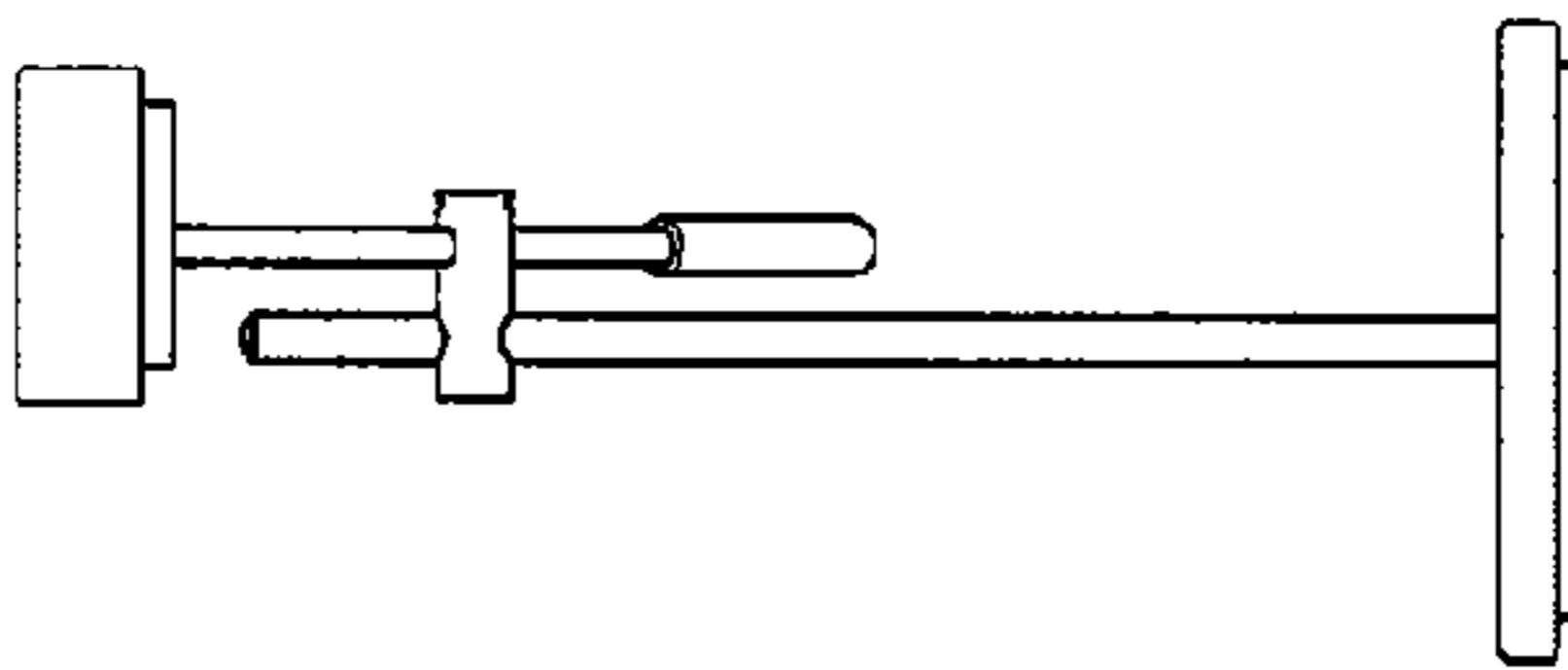


Fig.2

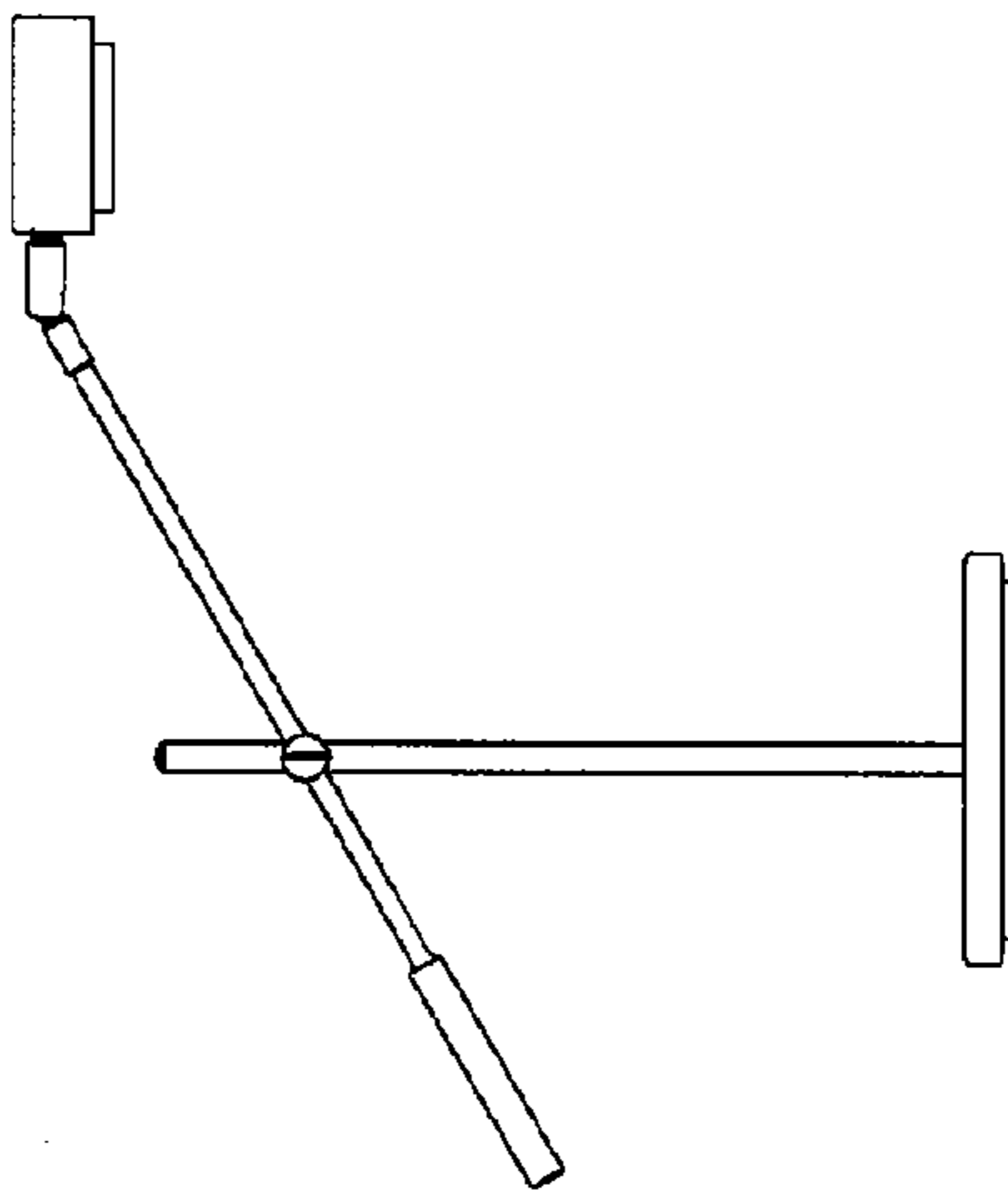


Fig.4

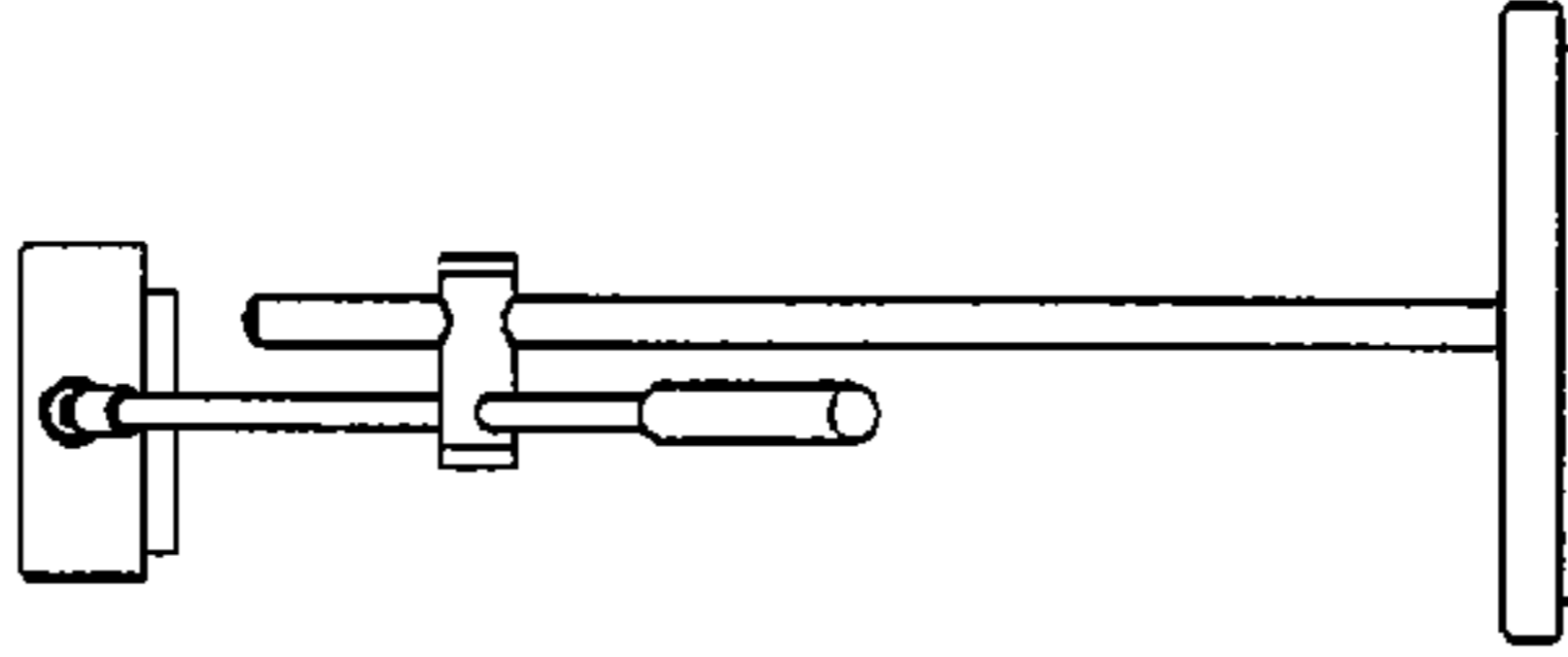


Fig.6

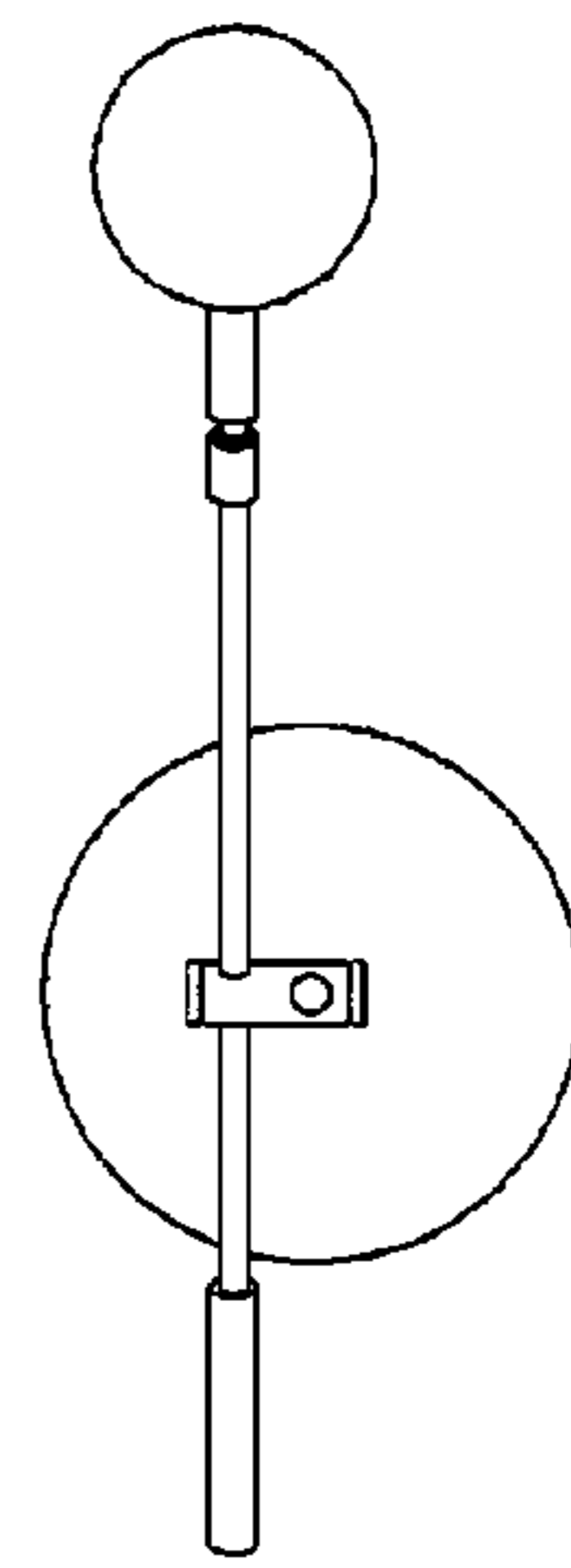


Fig.5