



US00D603992S

(12) **United States Design Patent**  
**Sabernig**

(10) **Patent No.:** **US D603,992 S**

(45) **Date of Patent:** **\*\* Nov. 10, 2009**

(54) **LIGHT FIXTURE**

D589,188 S \* 3/2009 Sabernig ..... D26/62

(75) Inventor: **Robert Sabernig**, Munster (AT)

(73) Assignee: **EGLO Leuchten GmbH**, Innsbruck (AT)

(\*\*) Term: **14 Years**

(21) Appl. No.: **29/330,166**

(22) Filed: **Dec. 30, 2008**

**Related U.S. Application Data**

(63) Continuation-in-part of application No. 29/303,061, filed on Jan. 31, 2008.

(51) **LOC (9) Cl.** ..... **26-05**

(52) **U.S. Cl.** ..... **D26/63**

(58) **Field of Classification Search** ..... D26/61-66,  
D26/24, 43, 44, 45, 50, 51, 56, 60, 67, 87,  
D26/92, 93, 103, 113, 138, 141, 140, 145,  
D26/142, 107, 108, 118; 362/269, 270, 277,  
362/278, 282, 285, 287, 296.09, 311.11,  
362/388, 401, 413, 418, 431, 217.06, 217.07,  
362/217.15, 217.16, 217.17, 249.07, 249.08,  
362/249.1, 135, 138, 139, 142, 143, 144,  
362/153, 219, 220, 223

See application file for complete search history.

(56) **References Cited**

**U.S. PATENT DOCUMENTS**

- D204,792 S \* 5/1966 Collings ..... D26/60
- D217,063 S \* 3/1970 Daito ..... D26/107
- D281,357 S \* 11/1985 Gismondi ..... D26/63
- D401,377 S \* 11/1998 Eusterbrock ..... D26/107
- D411,323 S \* 6/1999 Benghozi ..... D26/64
- D427,348 S \* 6/2000 Huang ..... D26/63
- D469,202 S \* 1/2003 Tsai ..... D26/65
- D515,722 S \* 2/2006 Opolka ..... D26/62
- D525,382 S \* 7/2006 Chen ..... D26/65
- D563,011 S \* 2/2008 Major ..... D26/61
- D584,439 S \* 1/2009 Wu ..... D26/62

**OTHER PUBLICATIONS**

Holtkoetter; Antique Brass Round Three Light Spotlight; Model No. 10451; printed from www.lampsplus.com on Feb. 4, 2008.  
 New Mirage; Three-Light Ceiling Mount; Model No. 52221; printed from www.modernlightinguniverse.com on Mar. 19, 2008.  
 Pro Track® ; 150 Watt Three Light Halogen Ceiling Fixture; Model No. 67878; printed from www.lampsplus.com on Feb. 4, 2008.  
 Three Light Spot Floor Lamp; Model No. 56445; printed from www.lampsplus.com on Mar. 11, 2008.  
 Light Source; Turtle Halogen Floor Lamp Polished Steel; Model No. LS-8615PS; printed from www.lampsusa.com on Mar. 11, 2008.

\* cited by examiner

*Primary Examiner*—Jennifer Rivard

*Assistant Examiner*—Angela J Lee

(74) *Attorney, Agent, or Firm*—Baker & McKenzie LLP

(57) **CLAIM**

The ornamental design for a light fixture, as shown and described.

**DESCRIPTION**

FIG. 1 is a perspective view of a light fixture in accordance with my design, illustrating movable portions;

FIG. 2 is a top plan view of the light fixture in accordance with my design, illustrating movable portions;

FIG. 3 is a bottom plan view of the light fixture in accordance with my design, illustrating movable portions;

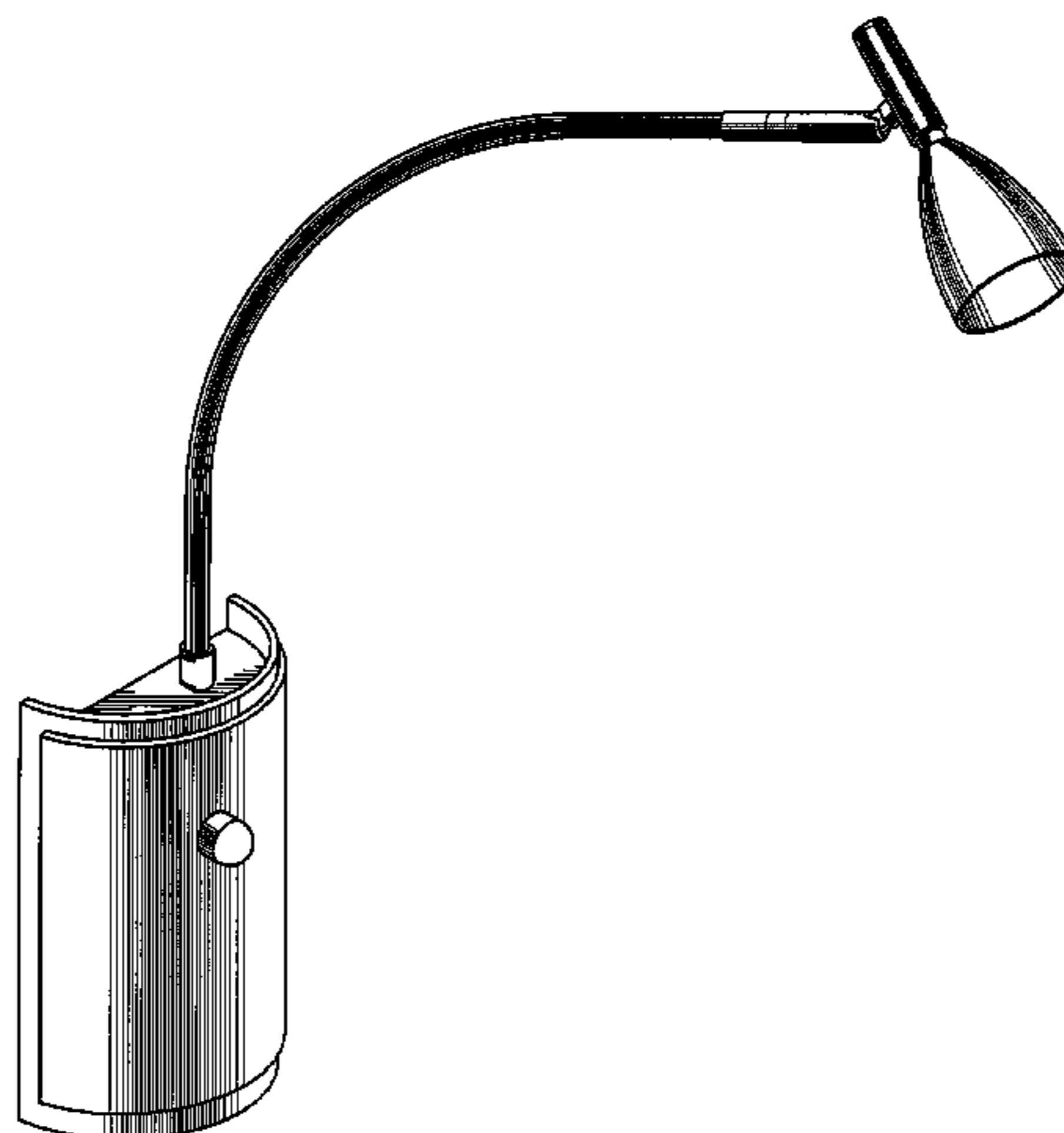
FIG. 4 is a side elevation view of the light fixture in accordance with my design, illustrating movable portions, the opposite side view being a mirror image of that shown;

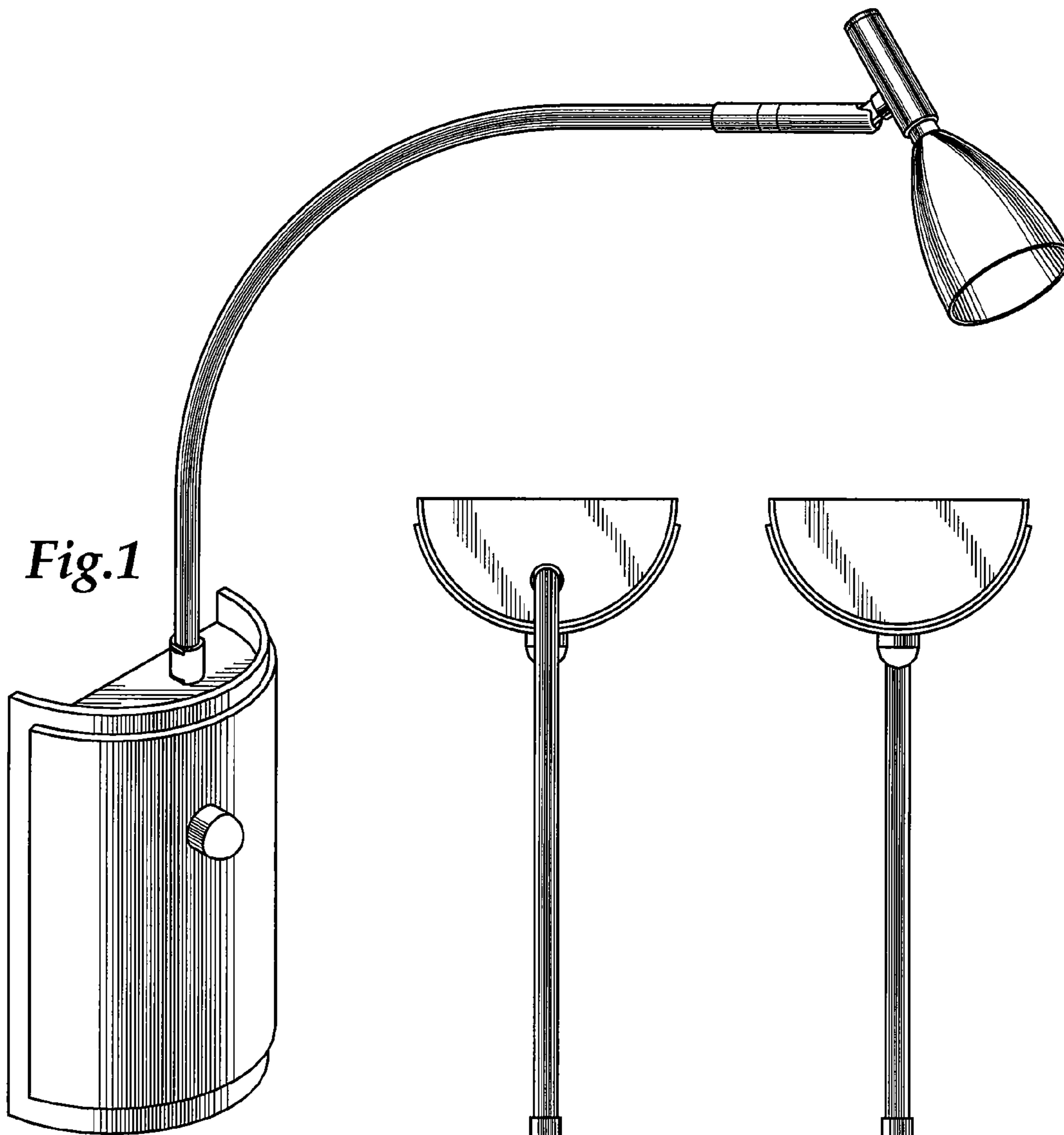
FIG. 5 is a front plan view of the light fixture in accordance with my design, illustrating movable portions; and,

FIG. 6 is a back plan view of the light fixture in accordance with my design, illustrating movable portions

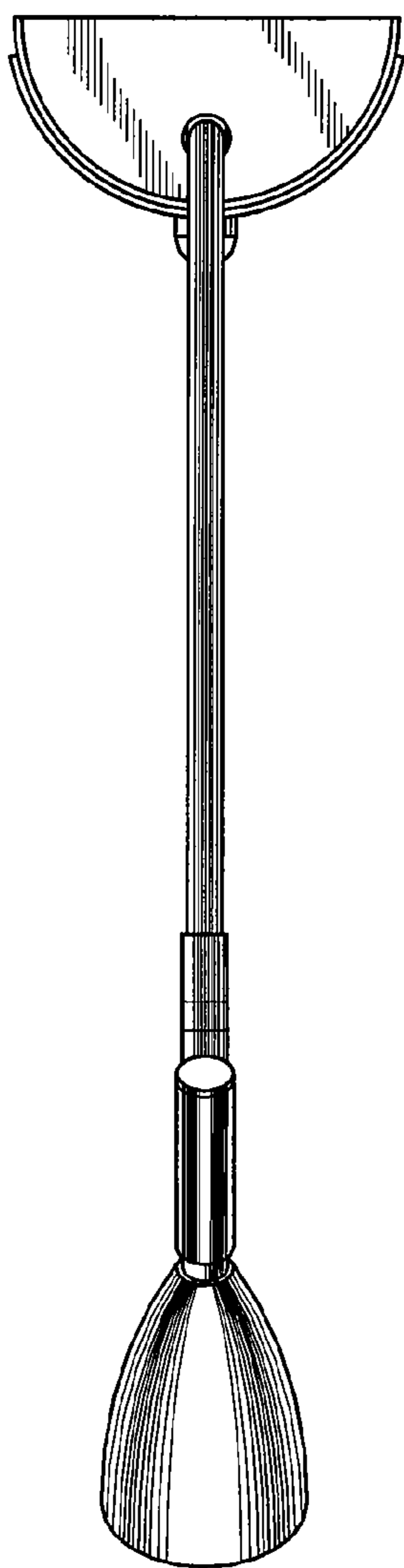
The area bounded by the broken lines in FIG. 6 forms no part of the claimed design.

**1 Claim, 2 Drawing Sheets**

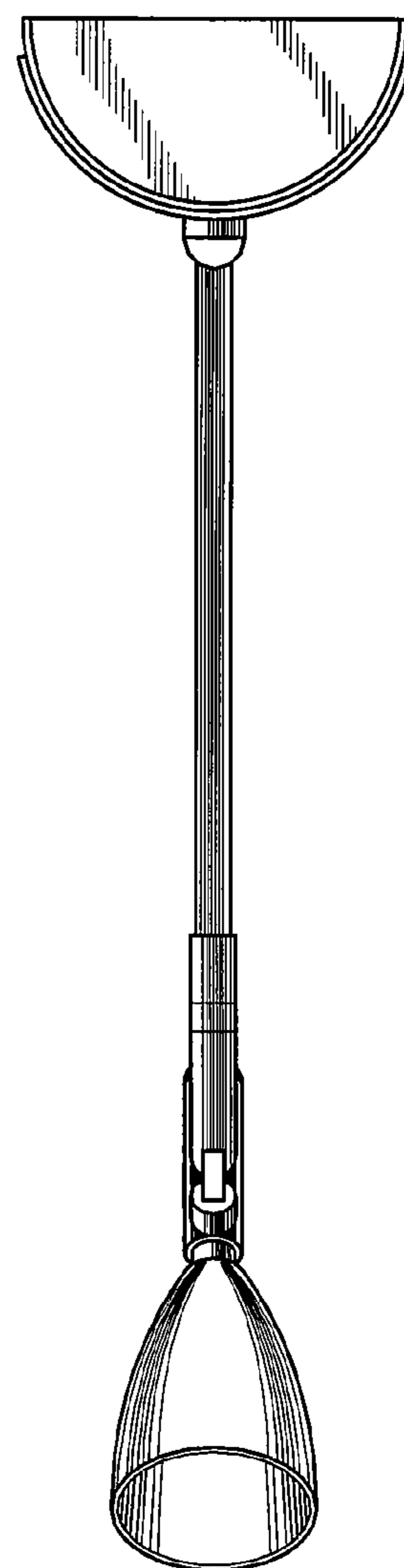




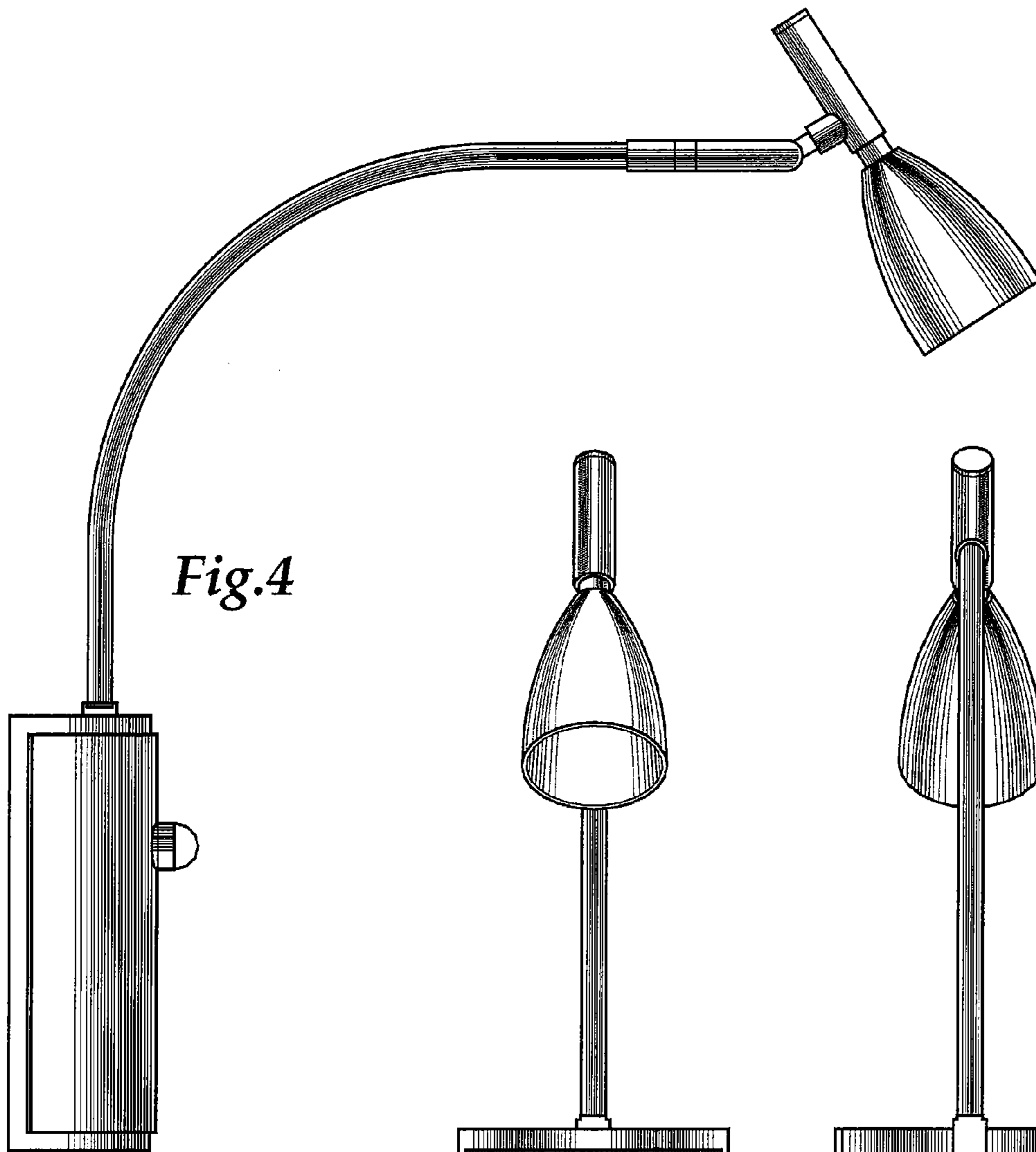
*Fig.1*



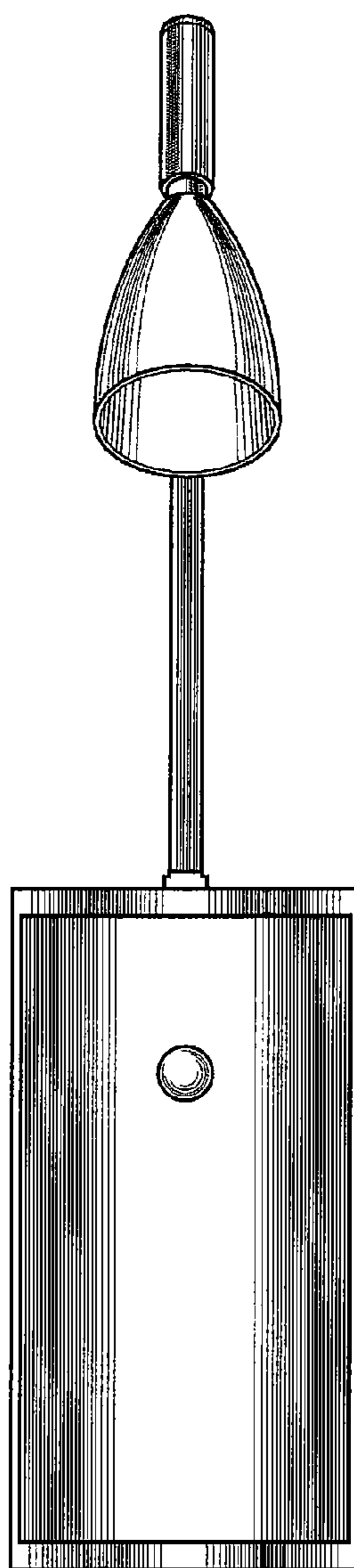
*Fig.2*



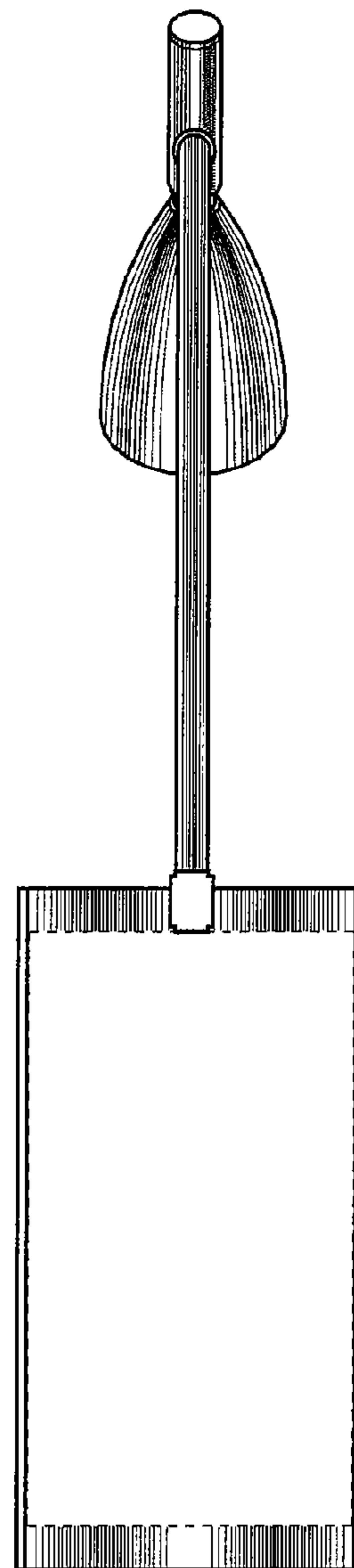
*Fig.3*



*Fig. 4*



*Fig. 5*



*Fig. 6*