



US00D603991S

(12) **United States Design Patent**
Hiratsuka

(10) **Patent No.:** **US D603,991 S**

(45) **Date of Patent:** **** Nov. 10, 2009**

(54) **PORTABLE SPOTLIGHT WITH BATTERY CASE**

(75) Inventor: **Toshio Hiratsuka**, Tokyo (JP)

(73) Assignee: **Mirai Environment Development Laboratory Co., Ltd.**, Tokyo (JP)

(**) Term: **14 Years**

(21) Appl. No.: **29/325,147**

(22) Filed: **Sep. 26, 2008**

(51) **LOC (9) Cl.** **26-05**

(52) **U.S. Cl.** **D26/51**

(58) **Field of Classification Search** D26/37,
D26/38, 39, 42, 45, 46, 48; 362/157, 158,
362/183, 184, 187, 190, 191, 199, 200, 201,
362/208

See application file for complete search history.

(56) **References Cited**

U.S. PATENT DOCUMENTS

| | | | | |
|--------------|---------|---------------------|-------|--------|
| D292,616 S * | 11/1987 | Sexton | | D26/37 |
| D311,780 S * | 10/1990 | Urquhart | | D26/46 |
| D497,683 S * | 10/2004 | Cooper | | D26/39 |
| D504,531 S * | 4/2005 | Bhavnani | | D26/38 |
| D505,507 S * | 5/2005 | Han-Shim | | D26/42 |
| D536,812 S * | 2/2007 | Bayat et al. | | D26/37 |
| D539,456 S * | 3/2007 | Sassoon et al. | | D26/37 |
| D563,003 S * | 2/2008 | Aleksjew | | D26/37 |
| D574,986 S * | 8/2008 | Kumthampinij et al. | | D26/60 |

| | | | | |
|-------------------|---------|-----------------|-------|---------|
| 7,481,554 B2 * | 1/2009 | Anderson et al. | | 362/183 |
| 2005/0007778 A1 * | 1/2005 | Lin | | 362/250 |
| 2007/0058365 A1 * | 3/2007 | Anderson et al. | | 362/198 |
| 2008/0239715 A1 * | 10/2008 | Deighton et al. | | 362/183 |

* cited by examiner

Primary Examiner—Ian Simmons

Assistant Examiner—Carissa C Fitts

(74) *Attorney, Agent, or Firm*—Jean C. Edwards, Esq.; Akerman Senterfitt

(57) **CLAIM**

The ornamental design for a portable spotlight with battery case, as shown and described.

DESCRIPTION

FIG. 1 is a perspective view of the front, right and top of a portable spotlight with battery case showing my new design; FIG. 2 is a perspective reference view of the rear, left and top thereof;

FIG. 3 is a front view thereof;

FIG. 4 is a rear view thereof;

FIG. 5 is a top plan view thereof;

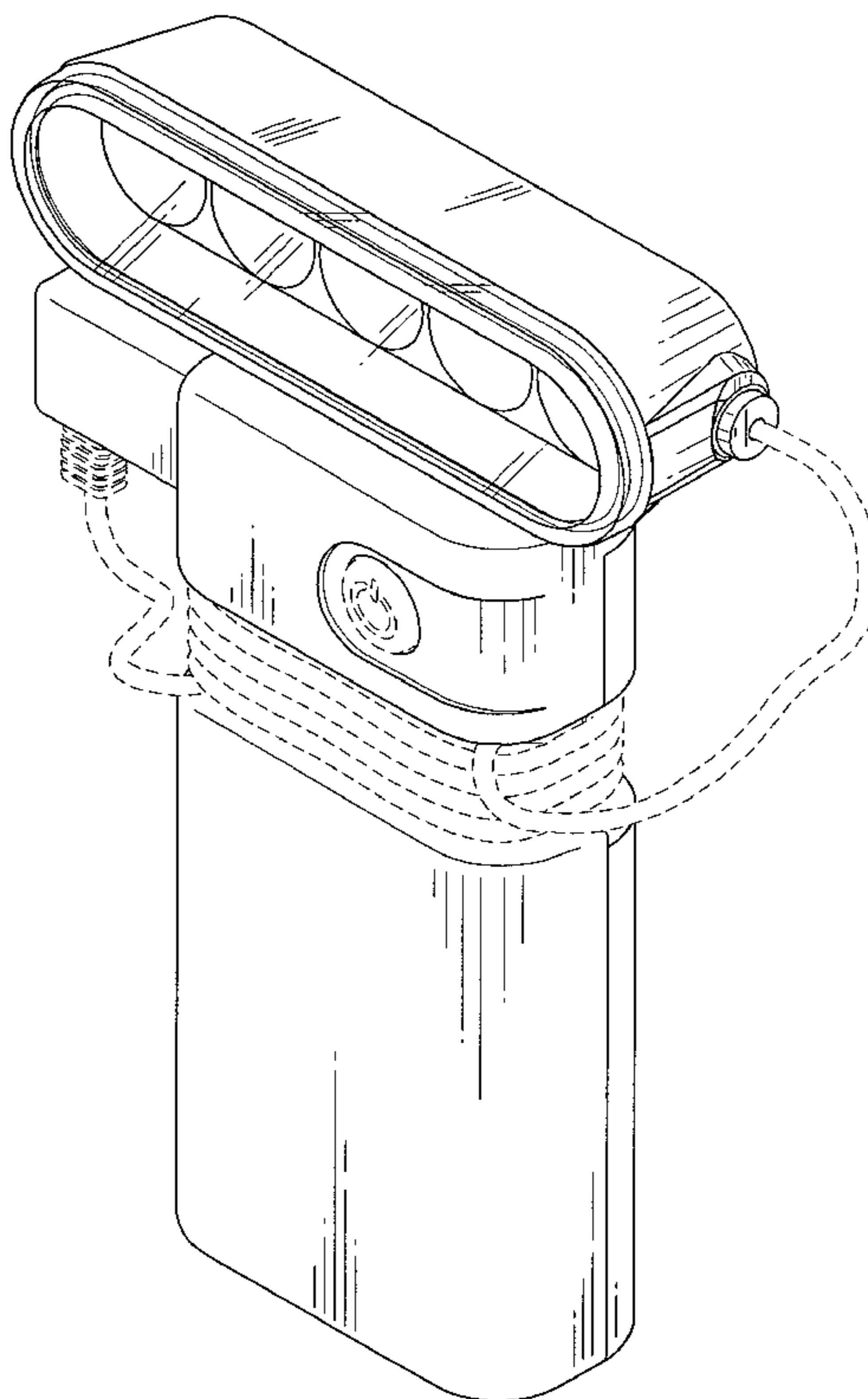
FIG. 6 is a bottom view thereof;

FIG. 7 is a left side view thereof; and,

FIG. 8 is a right side view thereof.

The portions shown in broken lines are for illustrative purposes only and form no part of the claimed design.

1 Claim, 8 Drawing Sheets



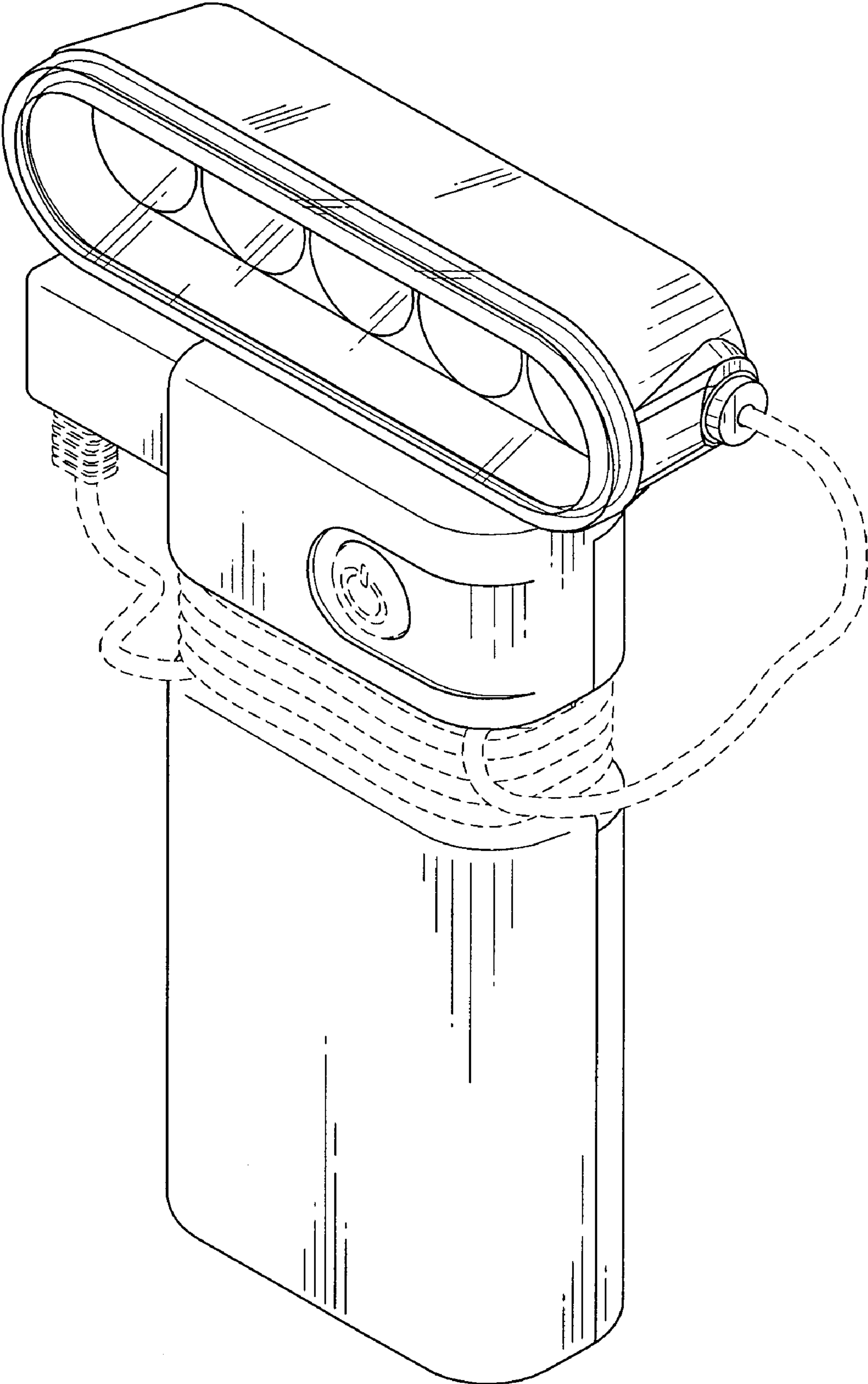


FIG. 1

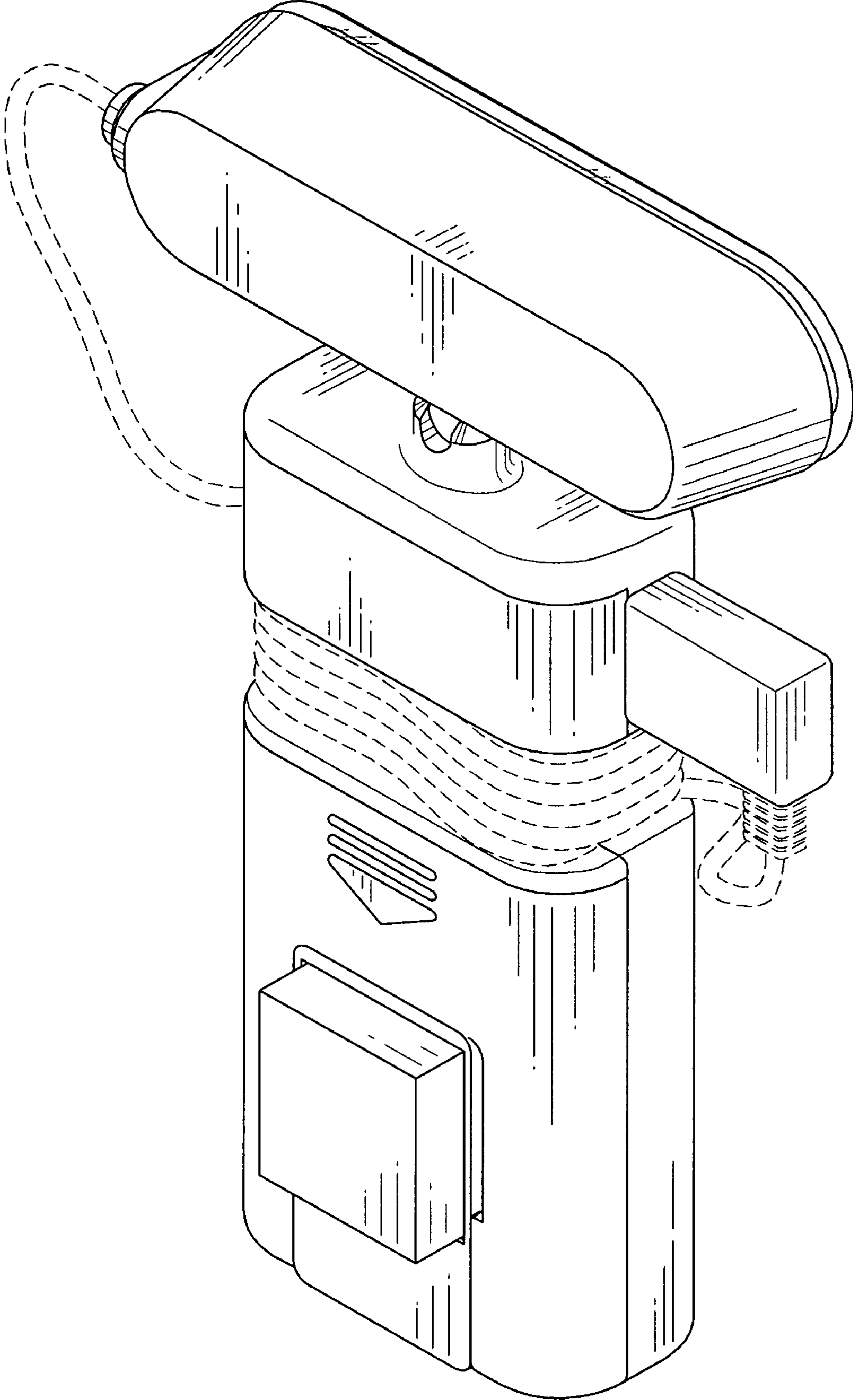


FIG. 2

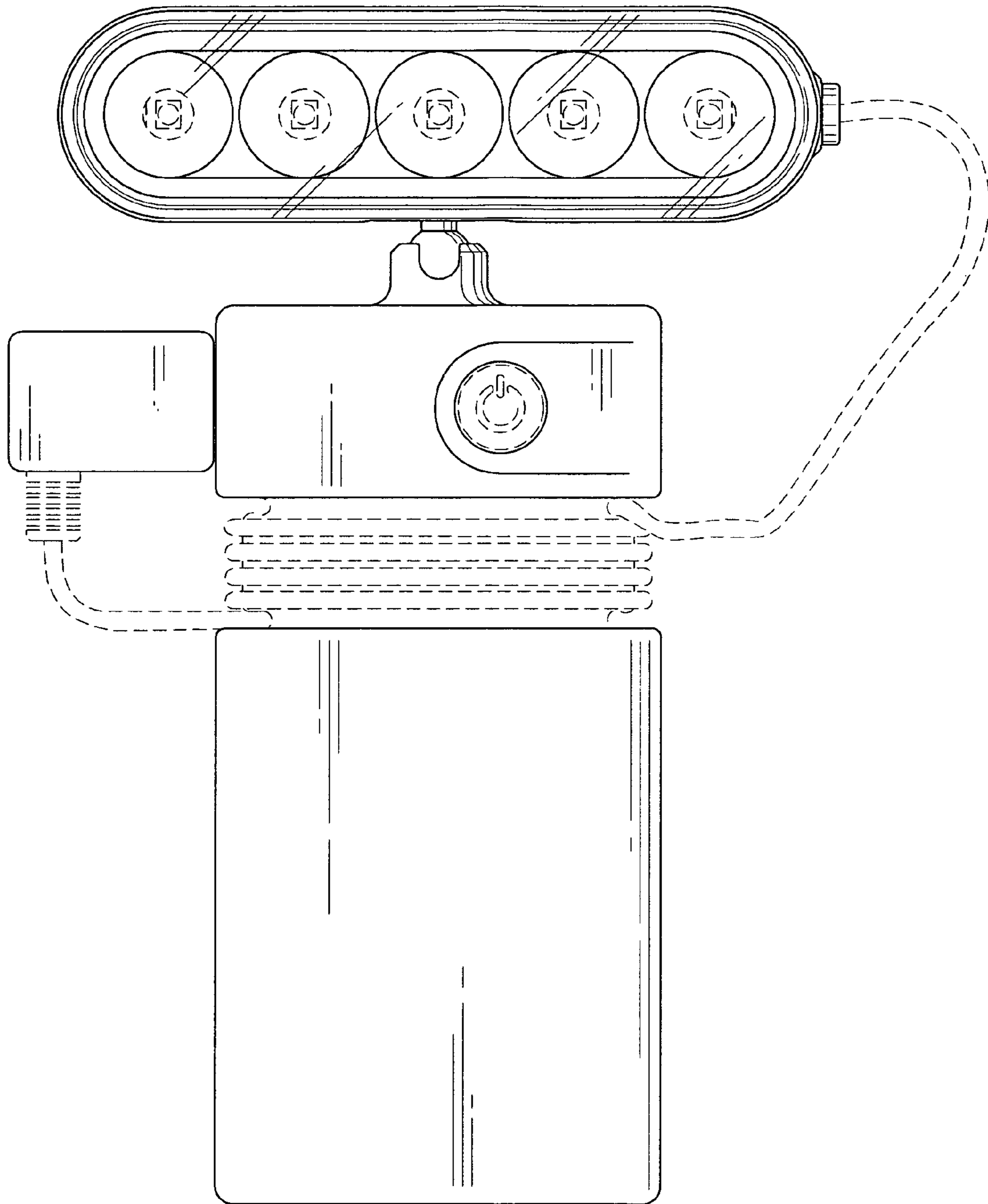


FIG. 3

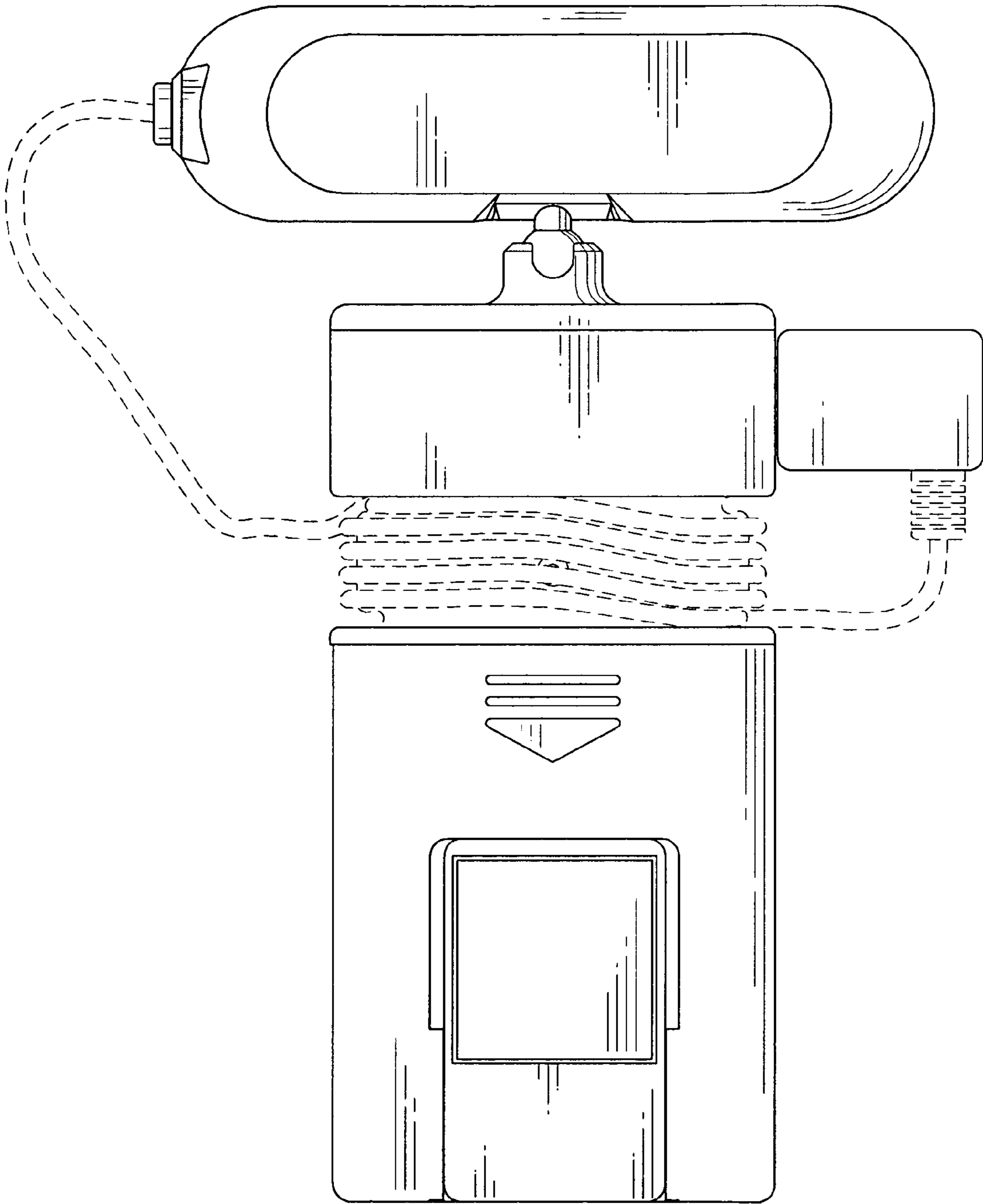


FIG. 4

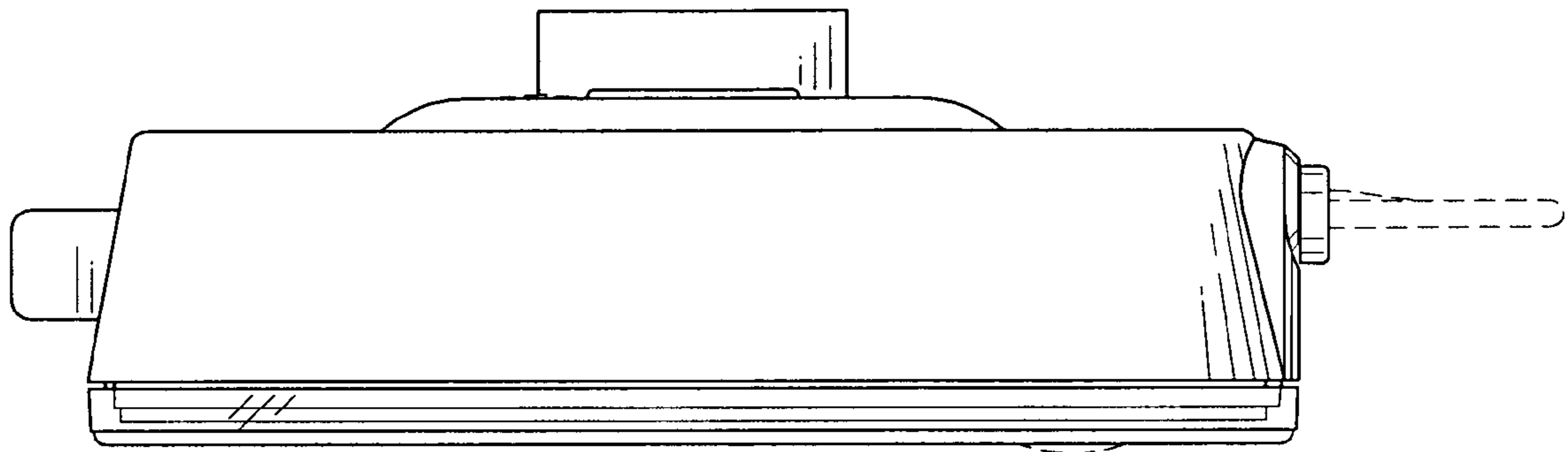


FIG. 5

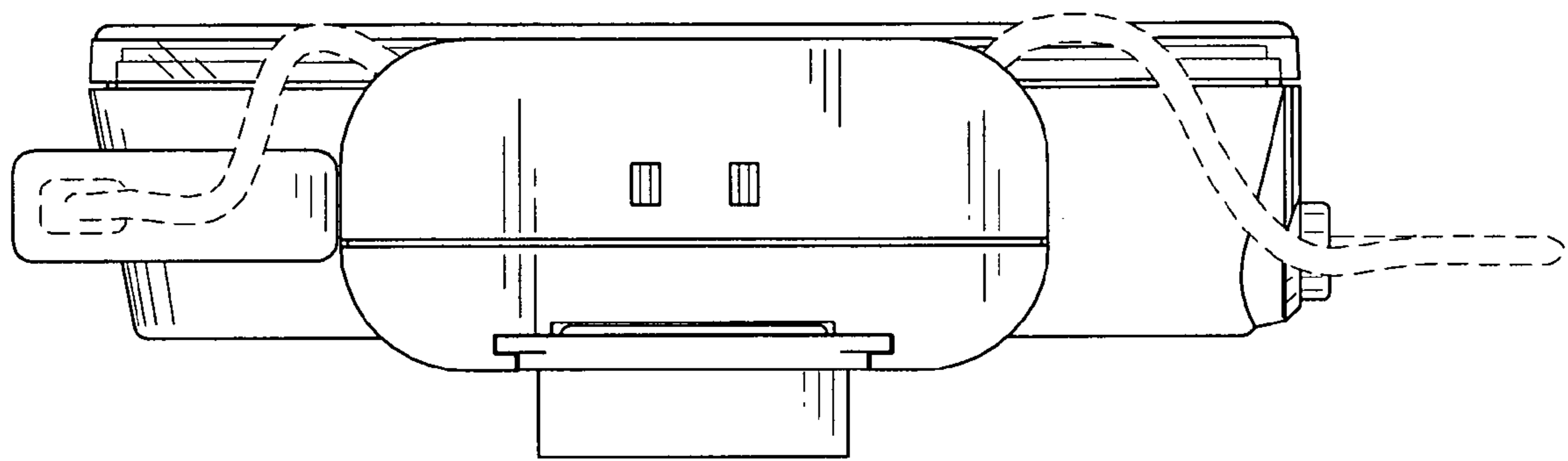


FIG. 6

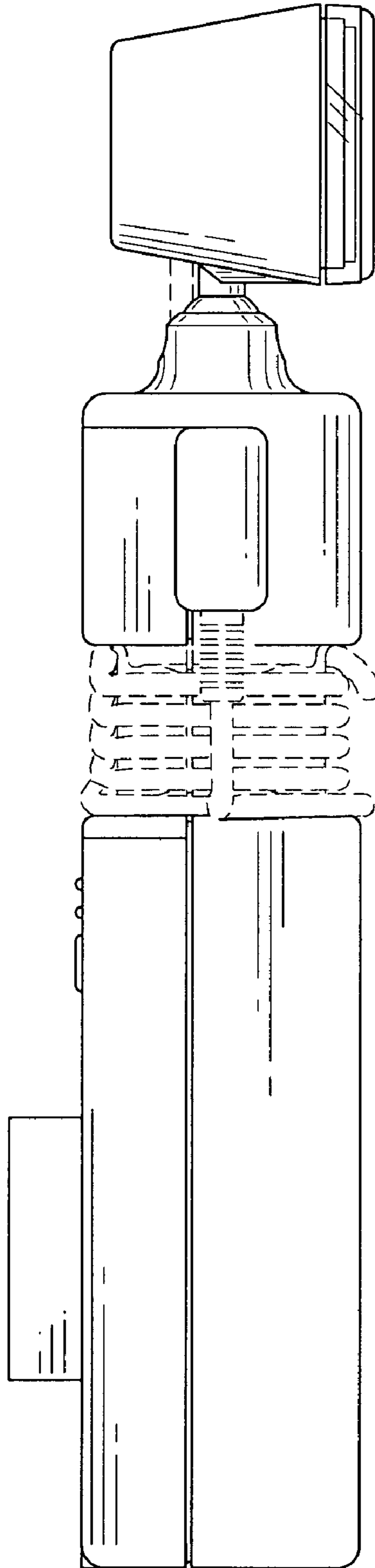


FIG. 7

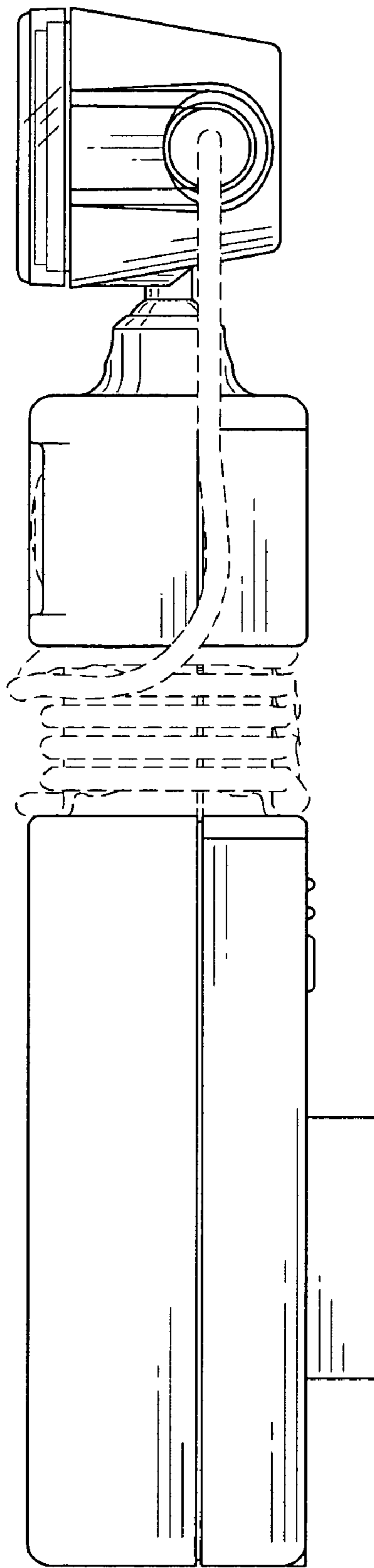


FIG. 8