



US00D603988S

(12) **United States Design Patent**
Sharrah

(10) **Patent No.:** **US D603,988 S**
(45) **Date of Patent:** **** Nov. 10, 2009**

(54) **LIGHT**

(75) Inventor: **Raymond L. Sharrah**, Collegeville, PA (US)

(73) Assignee: **Streamlight, Inc.**, Eagleville, PA (US)

(**) Term: **14 Years**

(21) Appl. No.: **29/282,207**

(22) Filed: **Jul. 13, 2007**

Related U.S. Application Data

(63) Continuation of application No. 29/189,305, filed on Sep. 2, 2003, now abandoned.

(51) **LOC (9) Cl.** **26-02**

(52) **U.S. Cl.** **D26/49**

(58) **Field of Classification Search** D26/37,
D26/46, 48, 49; 362/157, 158, 183, 184,
362/187, 192, 193, 194-196, 200-208

See application file for complete search history.

(56) **References Cited**

U.S. PATENT DOCUMENTS

1,487,983 A 3/1924 Stiriss
(Continued)

OTHER PUBLICATIONS

Mag Instrument, Inc., "The Maglite Family," www.maglite.com, 2001, 2002, 9 pages.

(Continued)

Primary Examiner—Ian Simmons

Assistant Examiner—Carissa C Fitts

(74) *Attorney, Agent, or Firm*—Clement A. Berard, Esq.;
Dann, Dorfman, Herrell & Skillman, PC

(57) **CLAIM**

The ornamental design for a light, substantially as shown and described.

DESCRIPTION

FIG. 1 is a first side view of a first embodiment of a light showing my ornamental design with an adjustable head shown in an extended position;

FIG. 2 is a second side view thereof;

FIG. 3 is a third side view thereof;

FIG. 4 is a fourth side view thereof;

FIG. 5 is a rear end view thereof;

FIG. 6 is a front end view thereof;

FIG. 7 is a first side view of a second example embodiment of a light showing my ornamental design with the adjustable head shown in an extended position;

FIG. 8 is a second side view thereof, of which a third side view is the same as shown in FIG. 3;

FIG. 9 is a fourth side view thereof;

FIG. 10 is rear end view thereof;

FIG. 11 is a front end view thereof;

FIG. 12 is the first side view thereof with the adjustable head shown in a closed position;

FIG. 13 is the second side view thereof with the adjustable head shown in a closed position;

FIG. 14 is the fourth side view thereof with the adjustable head shown in a closed position;

FIG. 15 is the first side view thereof with the movable ring shown in a different position;

FIG. 16 is a second side view thereof with the movable ring shown in a different position;

FIG. 17 is a first side view thereof with the movable ring shown in a different position and the adjustable head shown in an extended position;

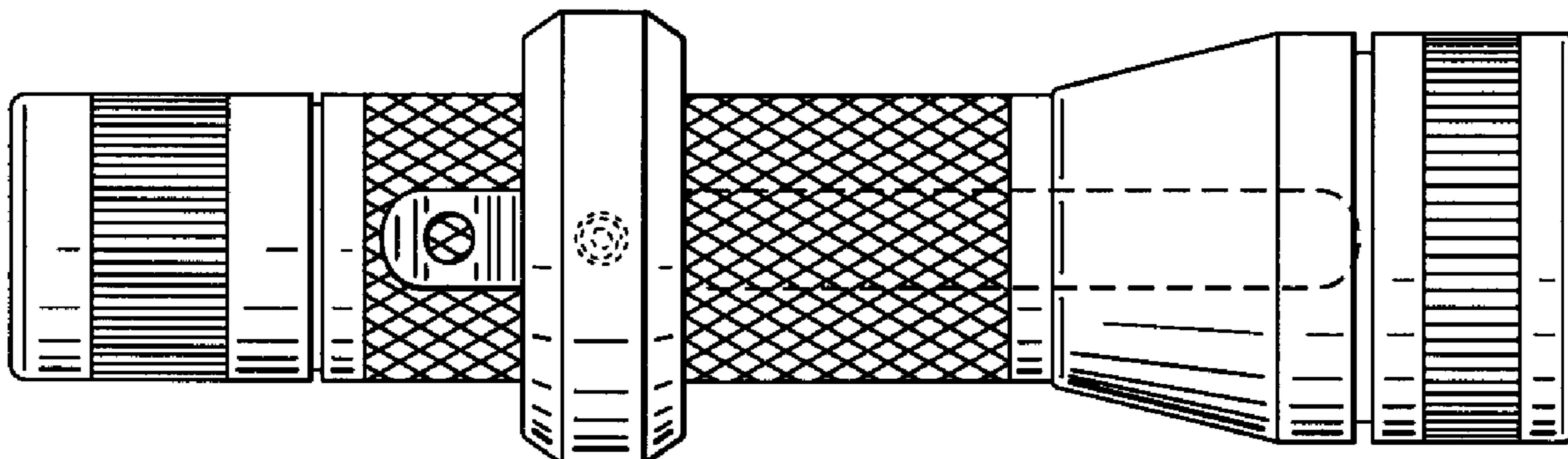
FIG. 18 is a second side view thereof with the movable ring shown in a different position and the adjustable head shown in an extended position;

FIG. 19 is a first side view of the first embodiment with the movable ring shown in a different position; and,

FIG. 20 is a second side view thereof with the movable ring shown in a different position.

Broken lines in the illustrations of the FIGURES of the drawing indicate parts of the article that are not part of the design illustrated therein.

1 Claim, 7 Drawing Sheets



US D603,988 S

Page 2

U.S. PATENT DOCUMENTS

1,696,266 A 12/1928 Coote
1,769,241 A 7/1930 Stephani
1,919,024 A 7/1933 Abbotts
2,408,601 A 10/1946 Blauvelt
3,590,235 A 6/1971 Leo et al.
D263,170 S * 2/1982 Maglica D26/49
4,327,401 A 4/1982 Siiberg
4,581,686 A 4/1986 Nelson
4,609,976 A 9/1986 Geissler
4,620,534 A 11/1986 Zartman
4,704,663 A 11/1987 Ohashi
4,737,894 A 4/1988 Kuch et al.
4,841,417 A 6/1989 Maglica et al.
D312,509 S 11/1990 Sharrah
5,161,095 A 11/1992 Gammache
5,339,229 A * 8/1994 Snyder 362/208
5,345,370 A 9/1994 Murray et al.
5,406,735 A 4/1995 Howell
5,422,798 A 6/1995 Osiecki et al.
5,446,633 A 8/1995 Hanggi
5,586,976 A 12/1996 Coutoumanos
5,642,932 A 7/1997 Matthews
6,062,702 A 5/2000 Krietzman
D429,830 S 8/2000 Ting
6,142,650 A 11/2000 Brown et al.

6,196,702 B1 3/2001 Krietzman
D445,522 S * 7/2001 Chiu D26/49
D479,354 S * 9/2003 Sharrah et al. D26/49
D481,816 S * 11/2003 Sharrah et al. D26/49
D504,530 S * 4/2005 Shiu D26/37
D515,230 S * 2/2006 Galli D26/49
D530,438 S * 10/2006 Maglica D26/49
D530,439 S * 10/2006 Maglica D26/49
D551,366 S * 9/2007 Galli D26/37
D557,836 S * 12/2007 Shiu D26/37
D557,838 S * 12/2007 Shiu D26/37
D565,770 S * 4/2008 Shiu D26/49
2004/0136185 A1 * 7/2004 Sharrah 362/202

OTHER PUBLICATIONS

Streamlight, Inc., "Stinger XT HP Information," www.streamlight.com, printed 2003, 1 page.
Streamlight, Inc., "Stinger Series Specifications," www.streamlight.com, printed 2003, 3 pages.
Streamlight, Inc., "Key-mate Information," printed 2003, 2 pages.
Streamlight Inc., "SL Series Specifications," www.streamlight.com, printed 2003, 2 pages.
Plow & Hearth Products for Country Living, "Triad Flashlight," plowhearth.com, 2003, 2 pages.
Union Carbide Corp., "Eveready Lighting Products," 1983, 18 pages.

* cited by examiner

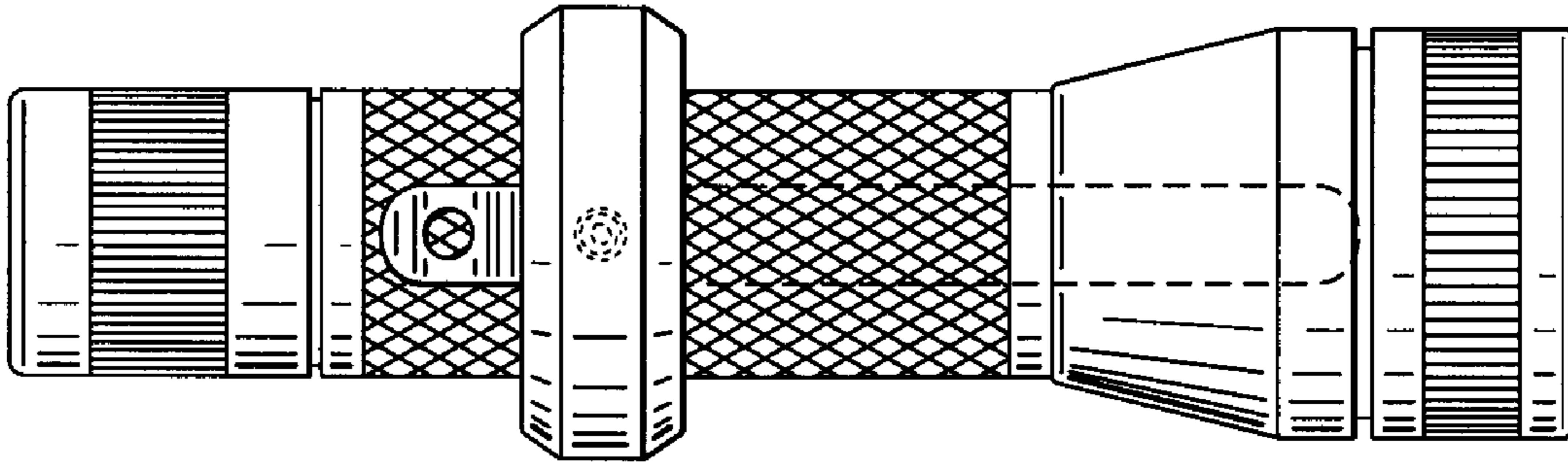


Fig. 1

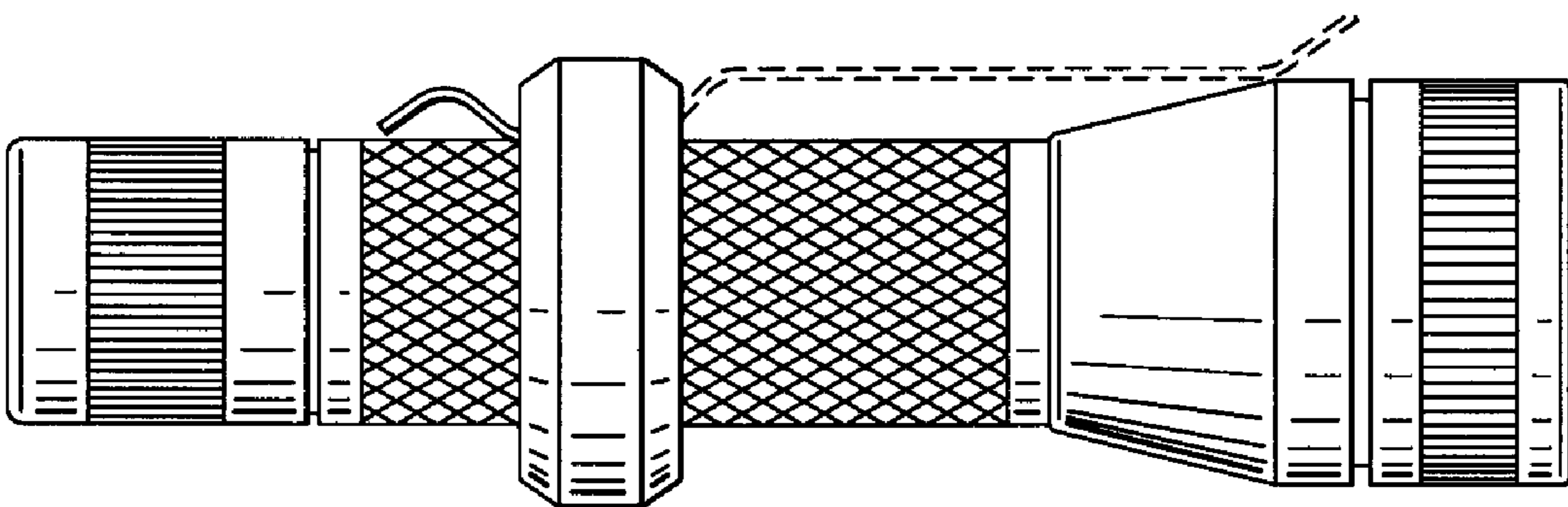


Fig. 2

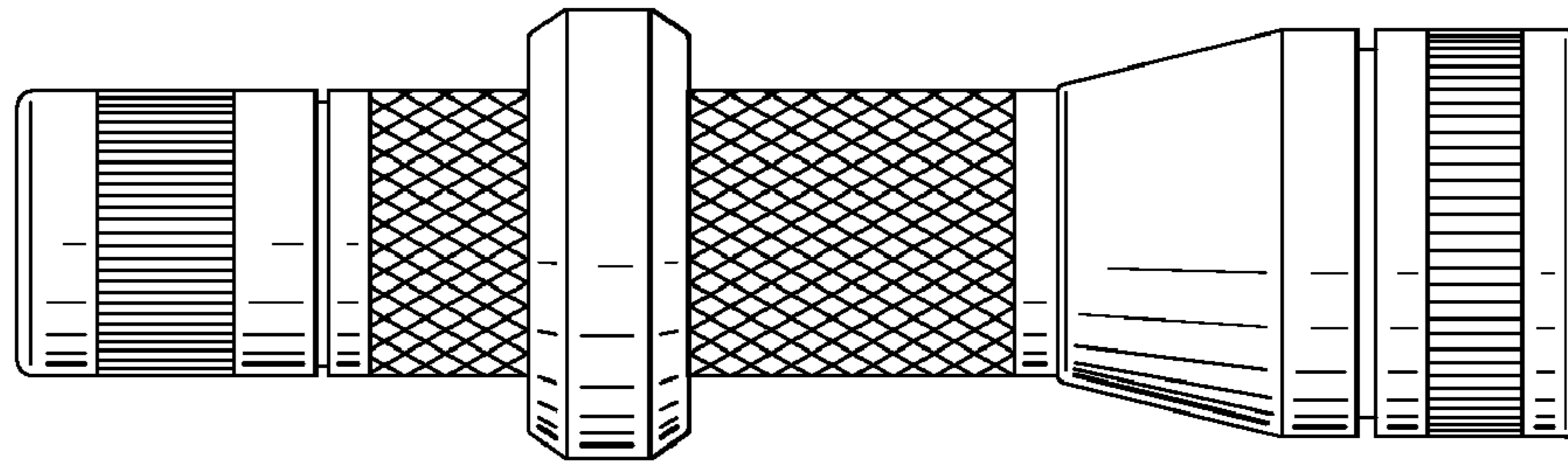


Fig. 3

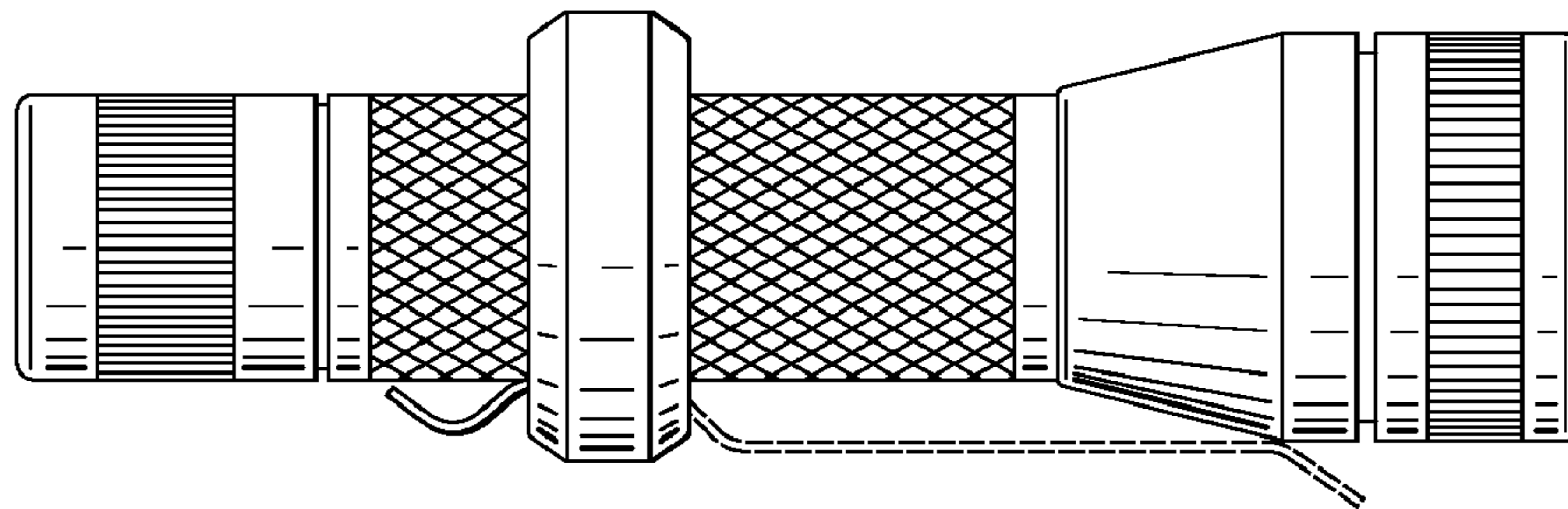


Fig. 4

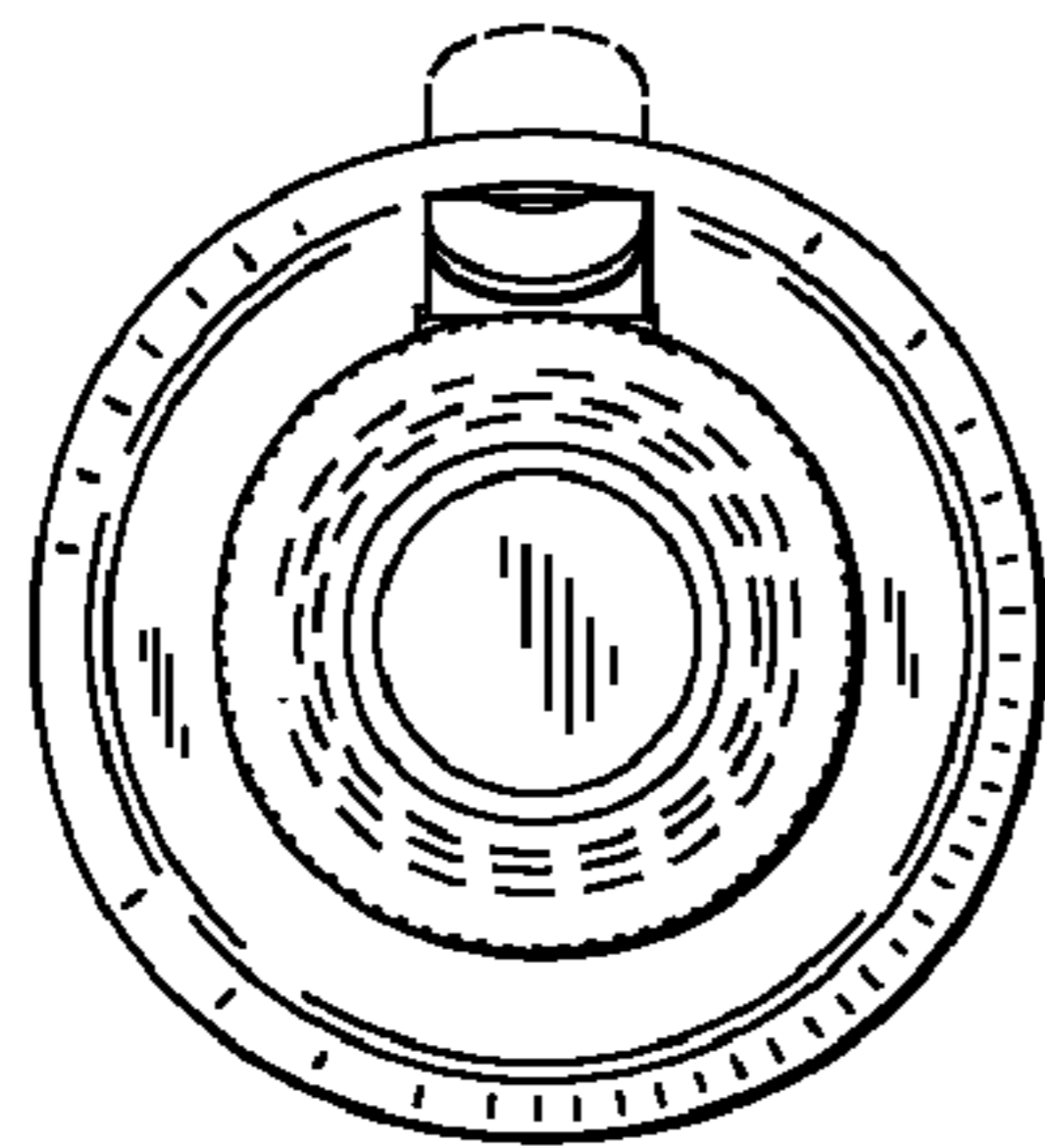


Fig. 5

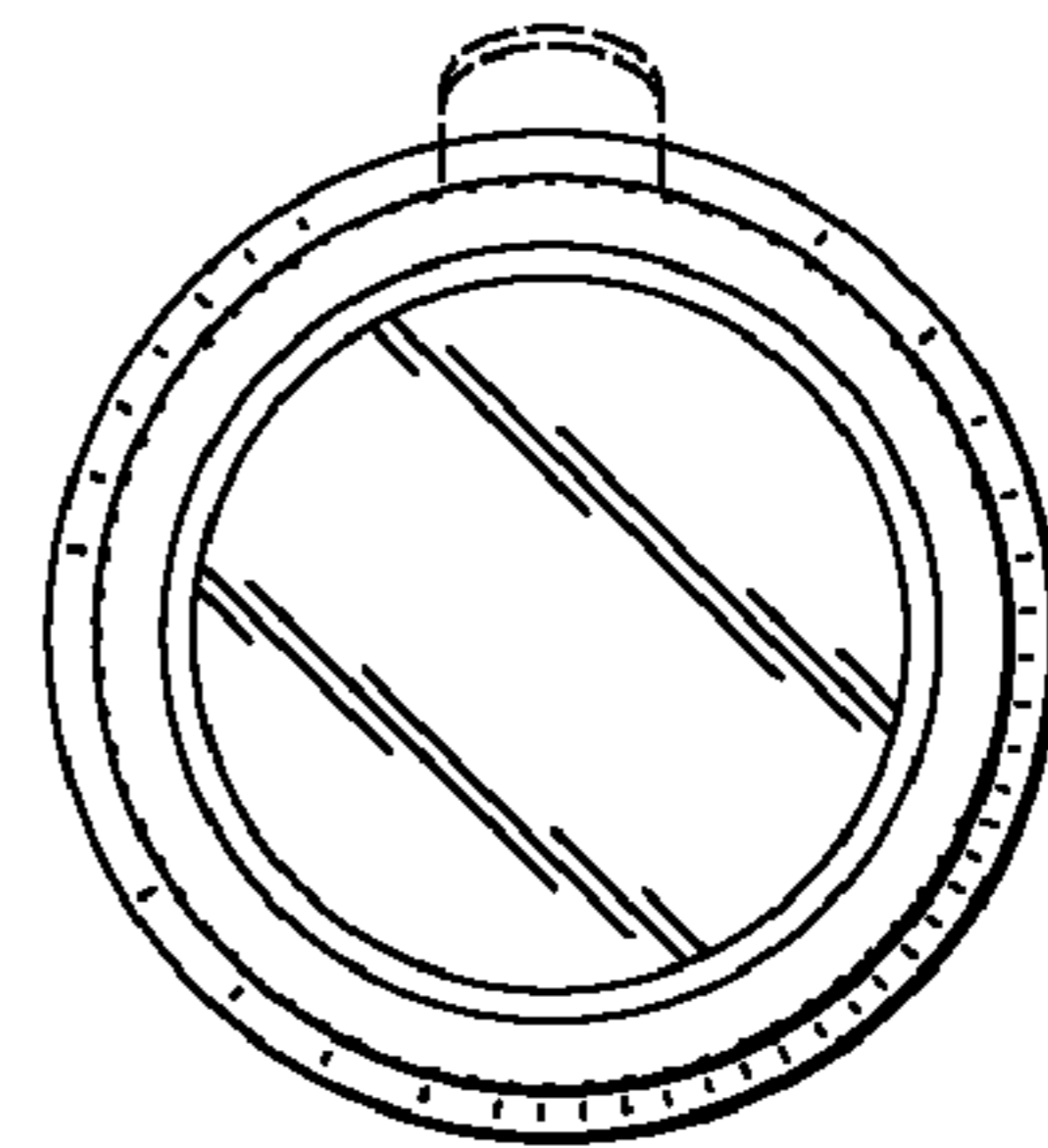


Fig. 6

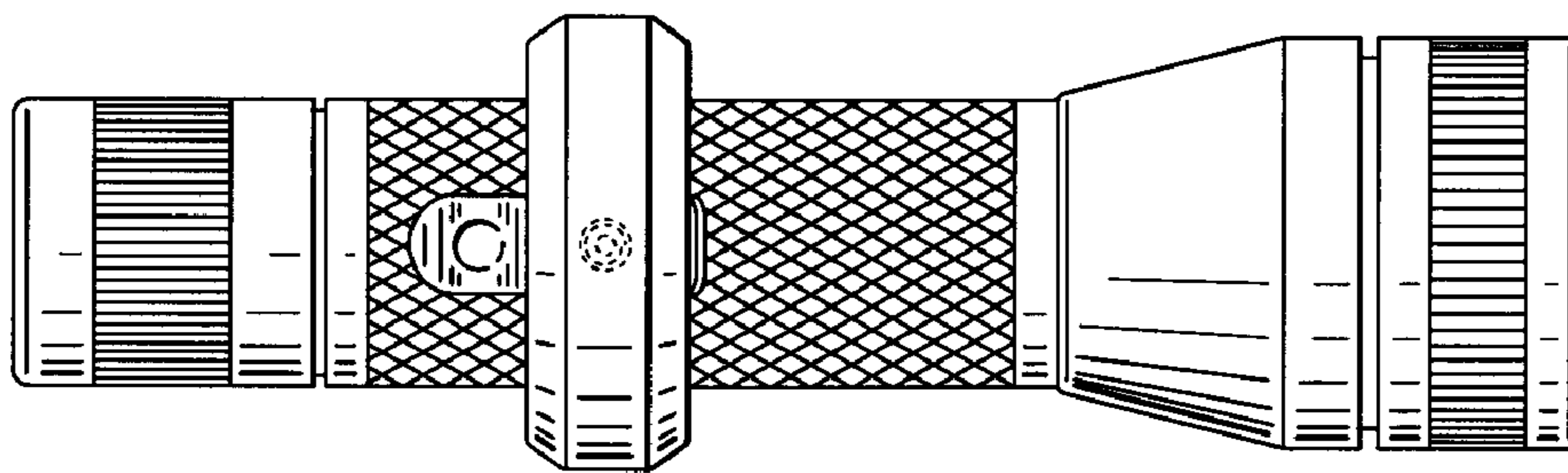


Fig. 7

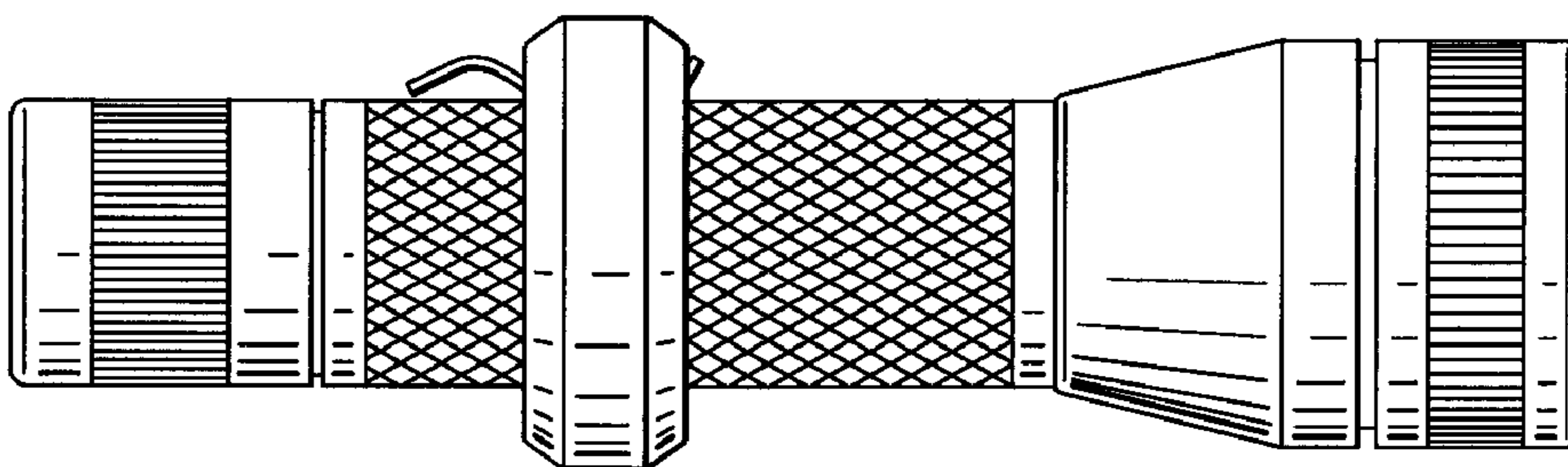


Fig. 8

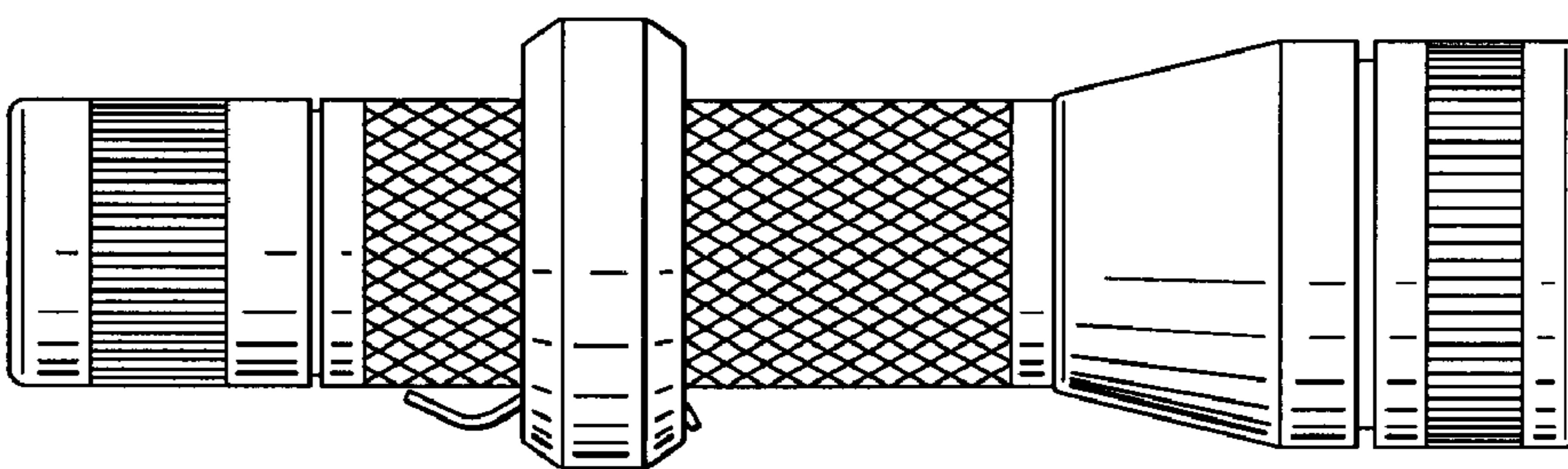


Fig. 9

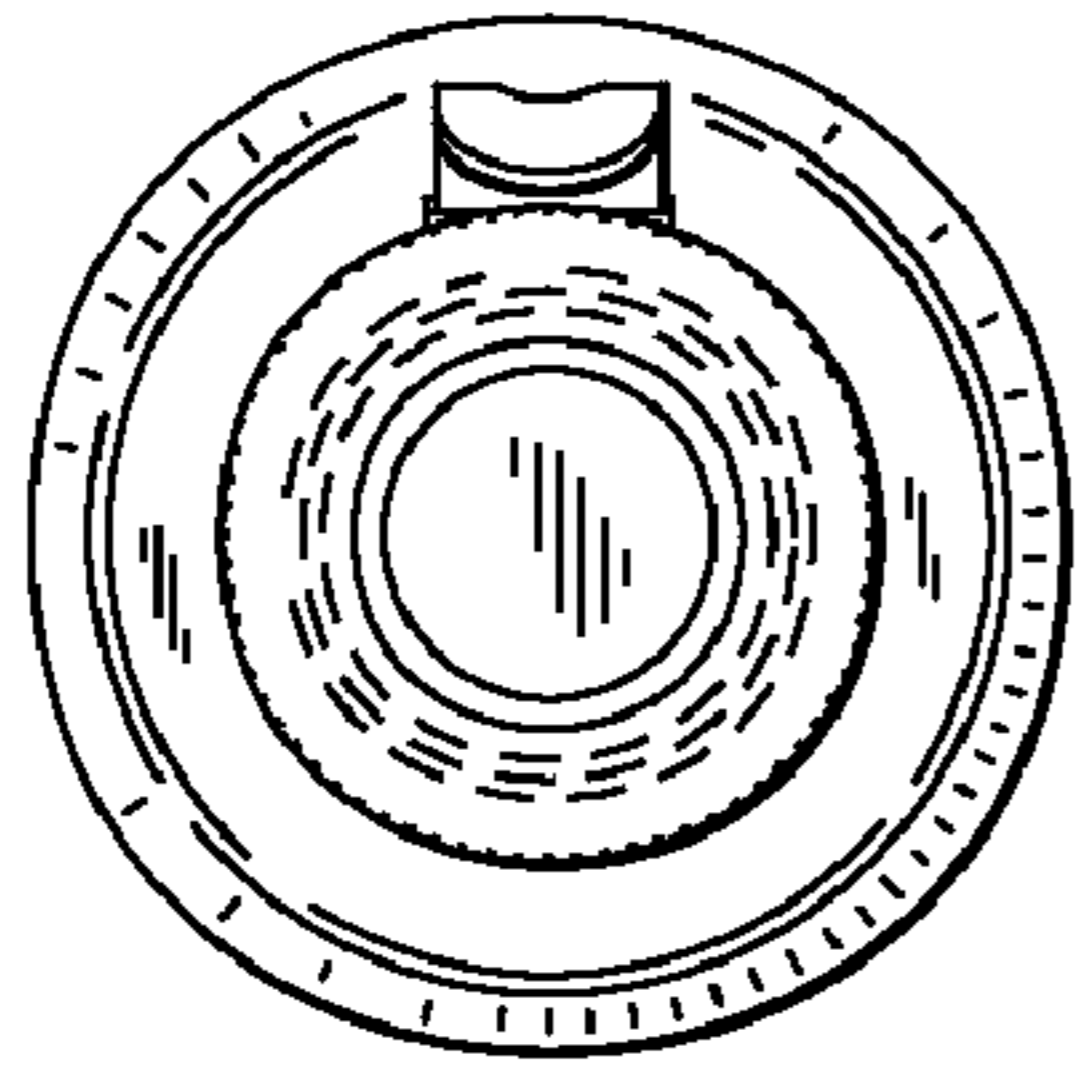


Fig. 10

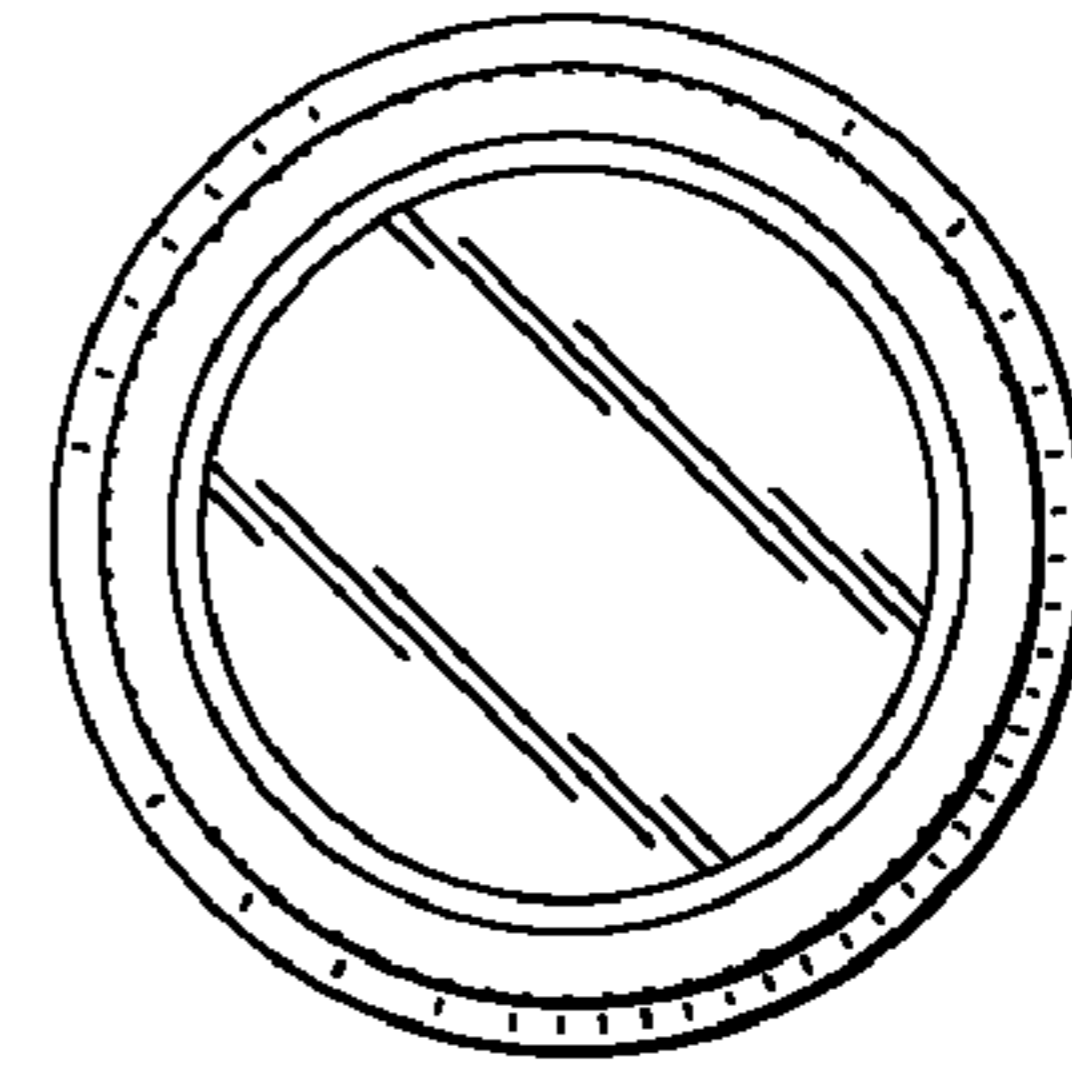


Fig. 11

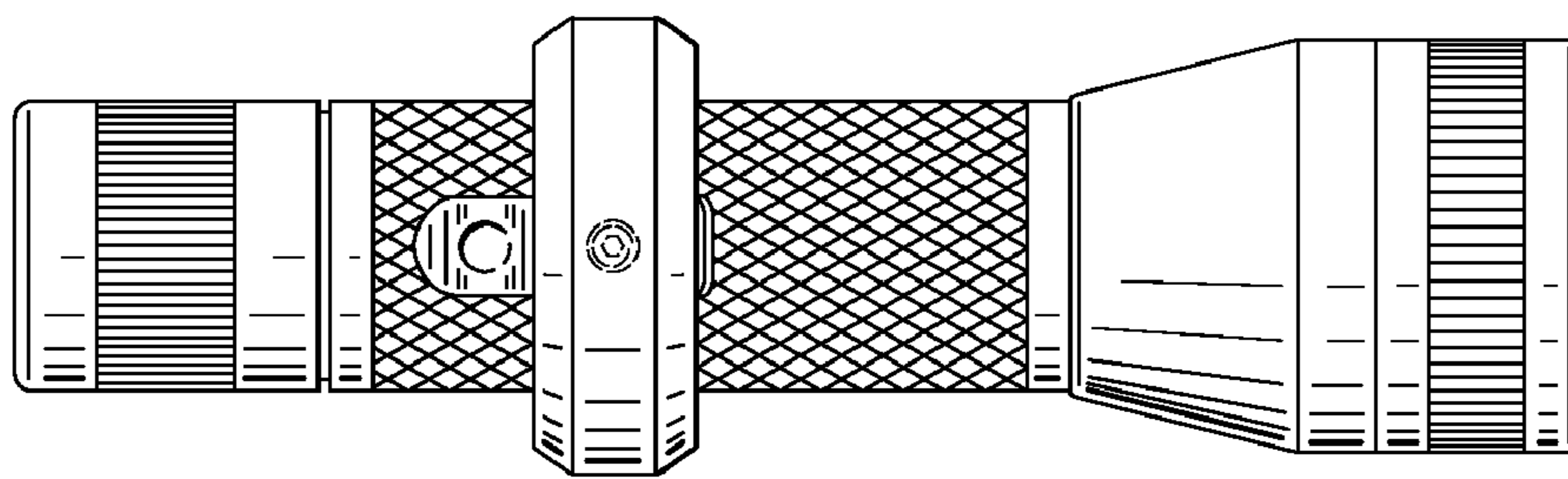


Fig. 12

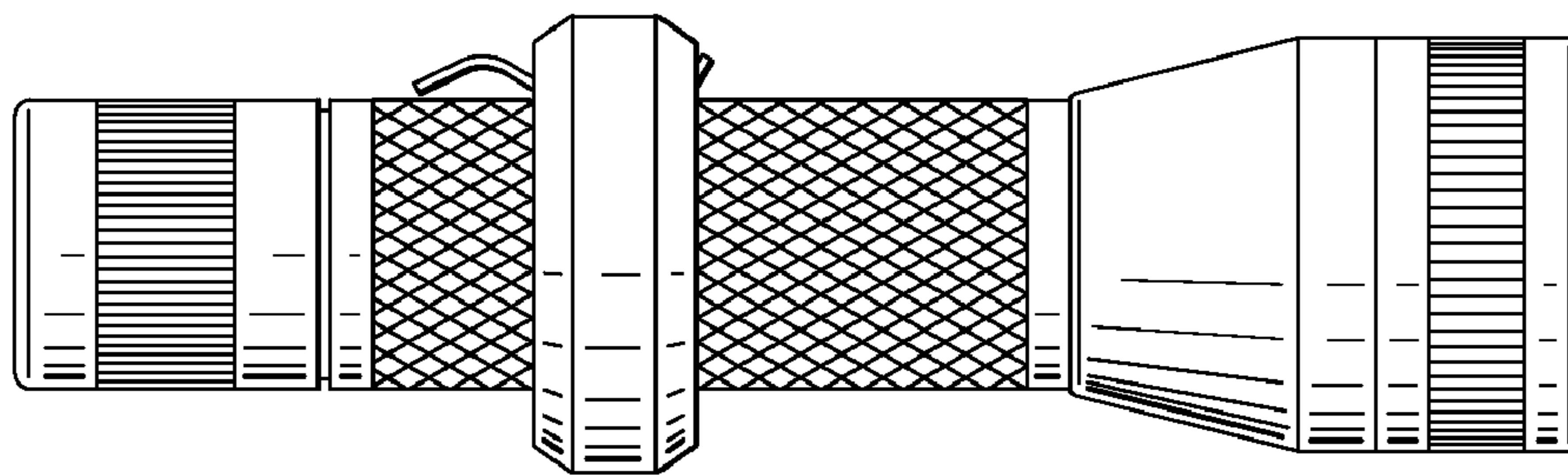


Fig. 13

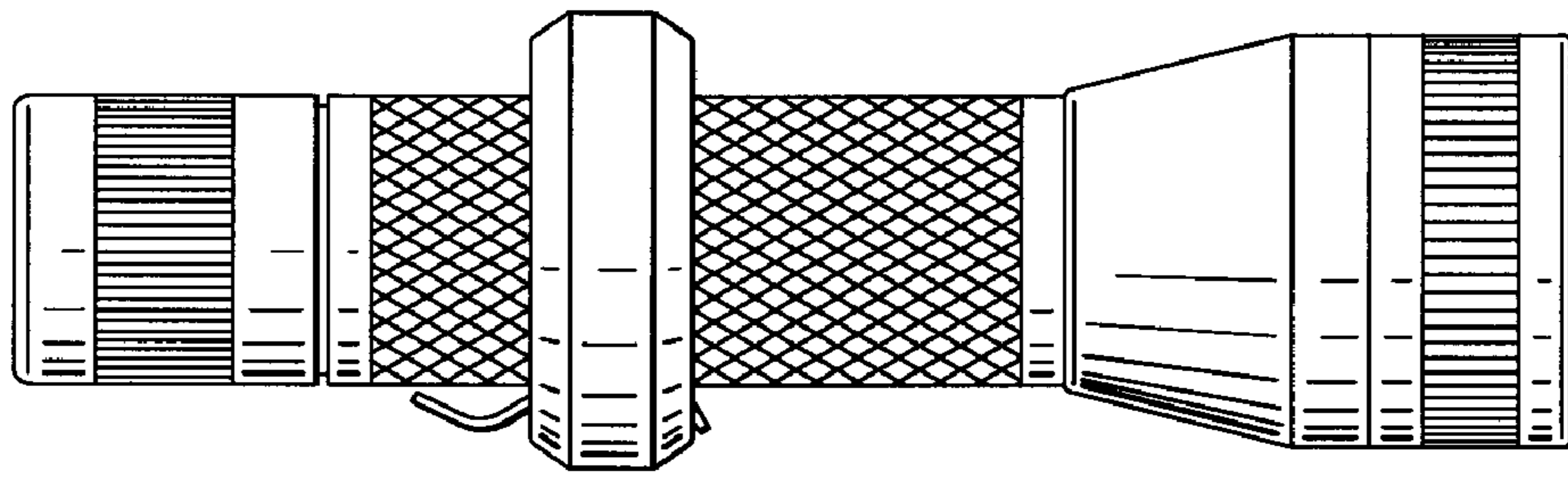


Fig. 14

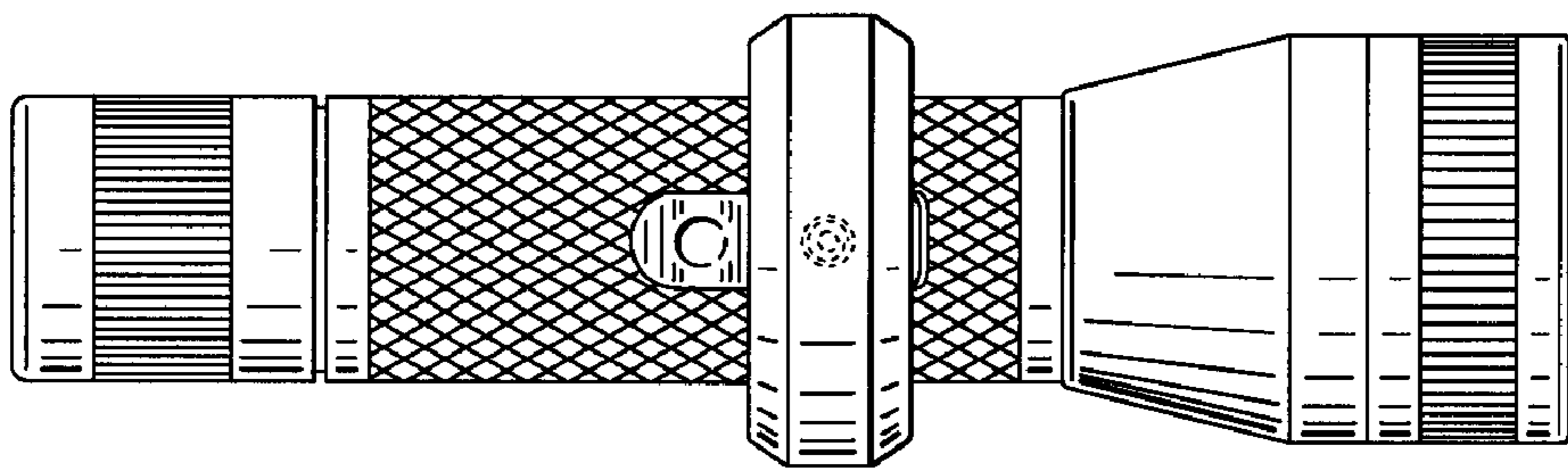


Fig. 15

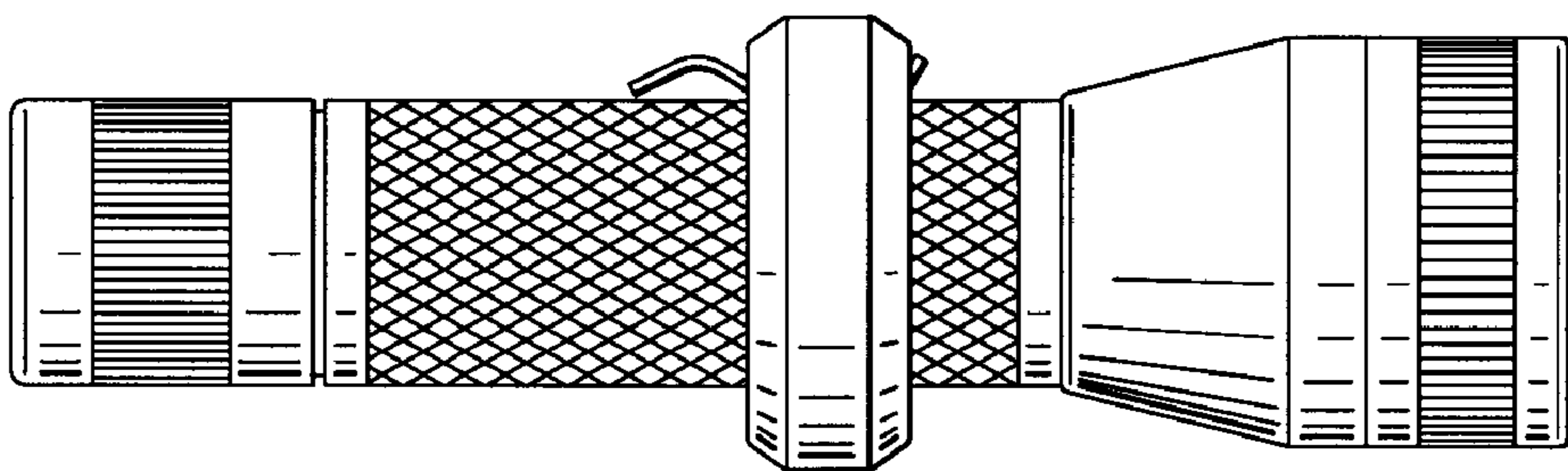


Fig. 16

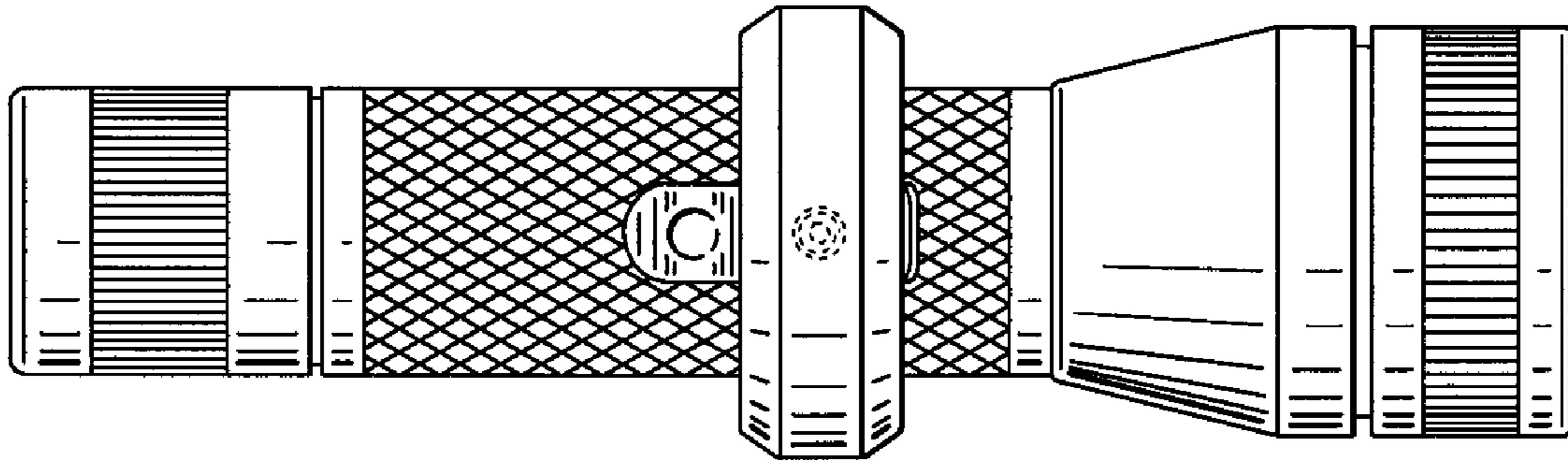


Fig. 17

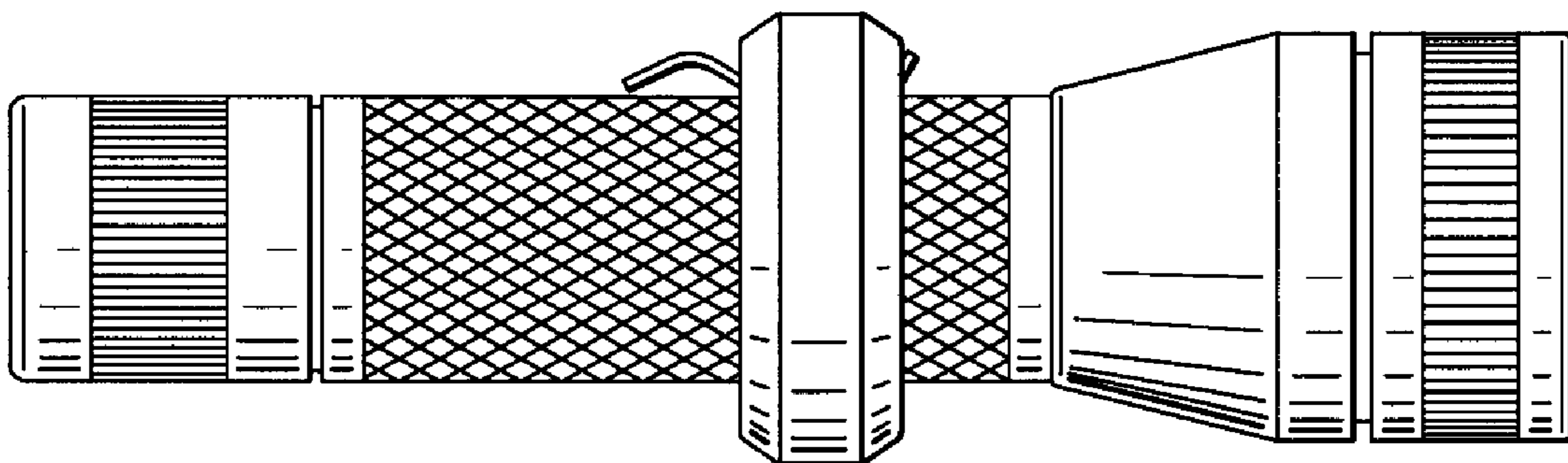


Fig. 18

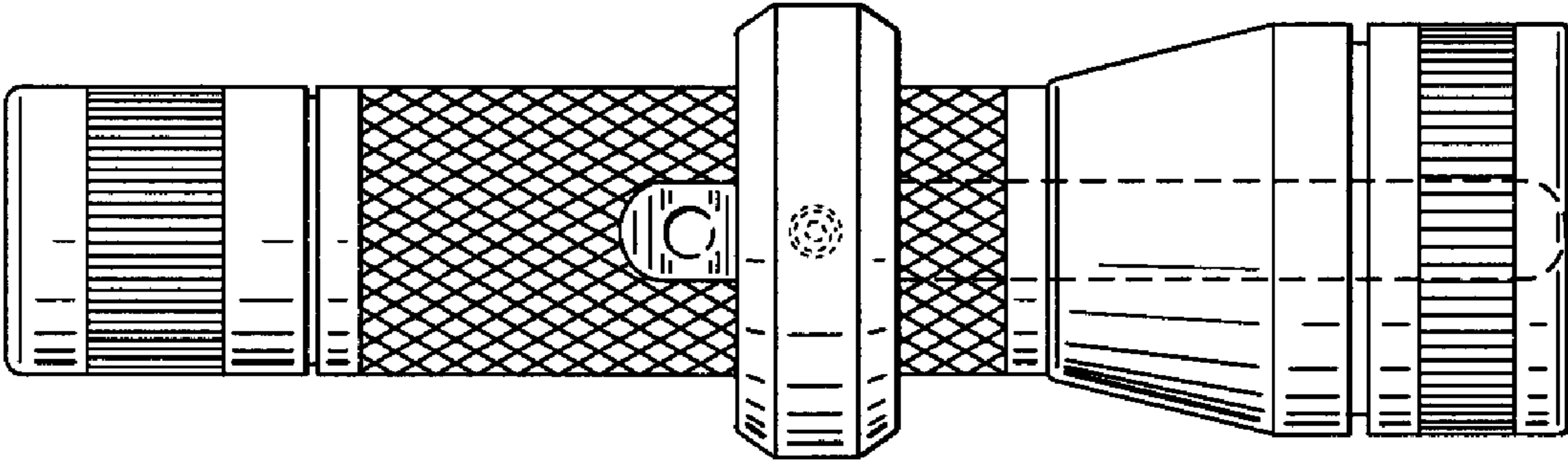


Fig. 19

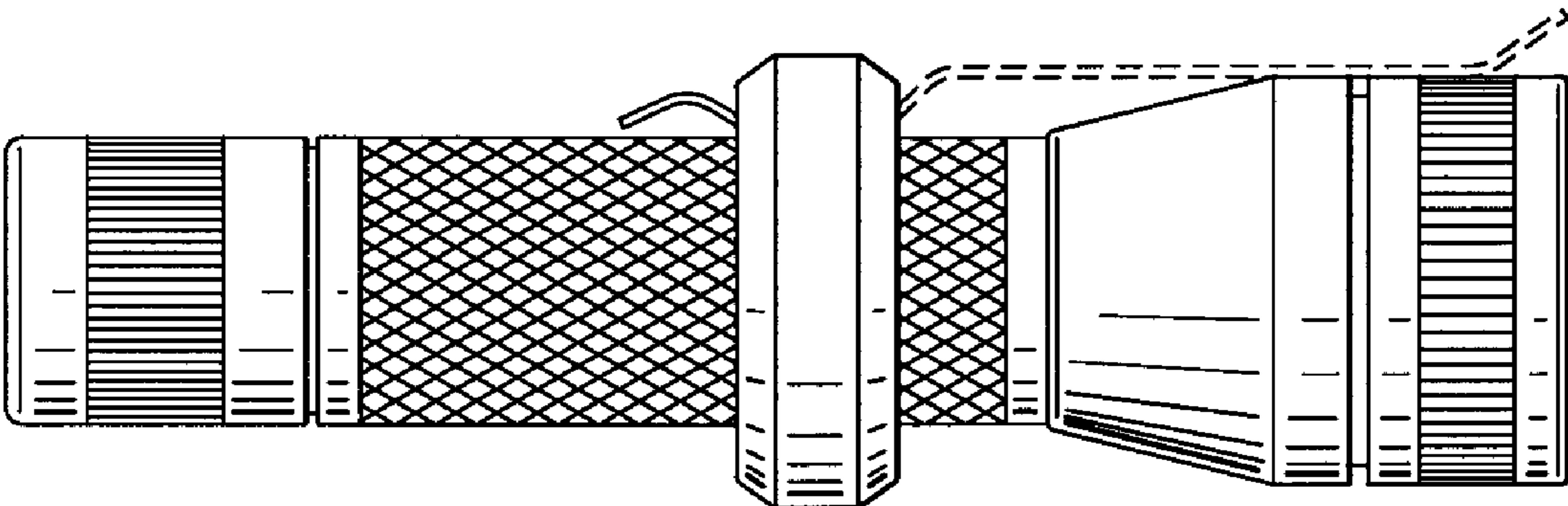


Fig. 20