



US00D603986S

(12) **United States Design Patent**
Kuo

(10) **Patent No.:** **US D603,986 S**

(45) **Date of Patent:** **** Nov. 10, 2009**

(54) **LAMP**

(76) Inventor: **Benny L. Kuo**, 2F., No. 174,
Tung-Cheng St., Tainan City (TW)

(**) Term: **14 Years**

(21) Appl. No.: **29/334,762**

(22) Filed: **Apr. 1, 2009**

(51) **LOC (9) Cl.** **26-02**

(52) **U.S. Cl.** **D26/37; D26/38; D26/44**

(58) **Field of Classification Search** D26/337,
D26/44, 38, 46, 51, 56; 362/157, 158, 171-177,
362/183, 184, 186, 190, 196-208
See application file for complete search history.

(56) **References Cited**

U.S. PATENT DOCUMENTS

3,118,615	A	*	1/1964	James et al.	362/190
D256,375	S	*	8/1980	Llanos	D19/75
D316,455	S	*	4/1991	Krol	D26/44
D328,357	S	*	7/1992	Schneider	D26/46
D403,786	S	*	1/1999	Lai	D26/24
D414,574	S	*	9/1999	Chen	D26/37
D445,932	S	*	7/2001	Ceder	D26/42
D448,873	S	*	10/2001	Dalton et al.	D26/37
D485,630	S	*	1/2004	Chue	D26/38
D498,551	S	*	11/2004	Chan	D26/37
D523,160	S	*	6/2006	Chen	D26/37

D524,469	S	*	7/2006	Pitot et al.	D26/37
D524,962	S	*	7/2006	Farmer	D26/37
D526,734	S	*	8/2006	Brown	D26/60
D527,129	S	*	8/2006	Hodgson	D26/42
D549,968	S	*	9/2007	Pitot et al.	D6/312
D580,573	S	*	11/2008	Leslie et al.	D26/37
D580,574	S	*	11/2008	Leslie et al.	D26/37

* cited by examiner

Primary Examiner—Ian Simmons

Assistant Examiner—Carissa C Fitts

(74) *Attorney, Agent, or Firm*—Ladas and Parry LLP

(57) **CLAIM**

The ornamental design for lamp, as shown and described.

DESCRIPTION

FIG. 1 is a perspective view of lamp showing my new design;

FIG. 2 is a front elevational view thereof;

FIG. 3 is a rear elevational view thereof;

FIG. 4 is a left side elevational view thereof;

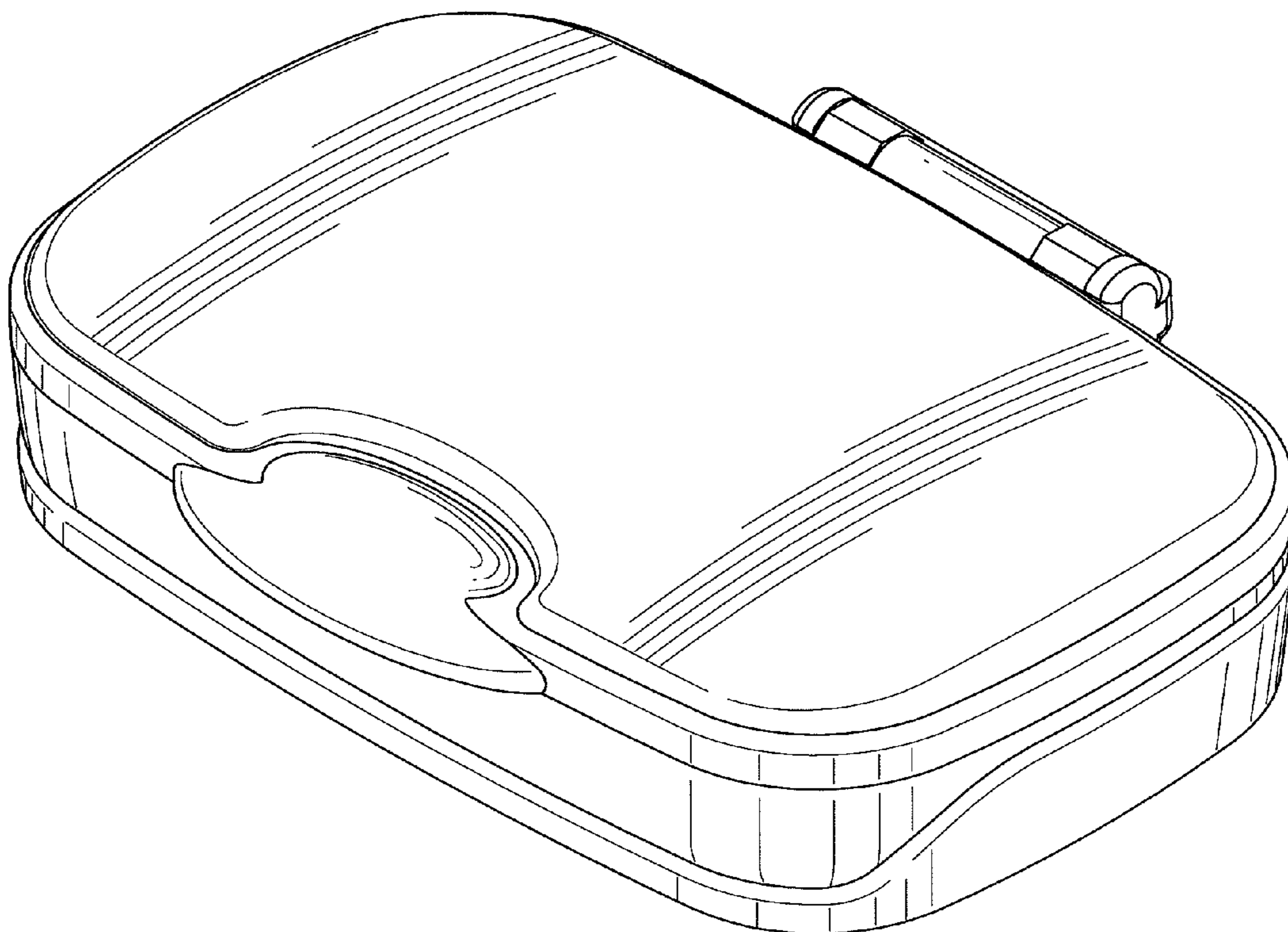
FIG. 5 is a right side elevational view thereof;

FIG. 6 is a top plan view thereof;

FIG. 7 is a bottom plan view thereof; and,

FIG. 8 is another perspective view in use.

1 Claim, 6 Drawing Sheets



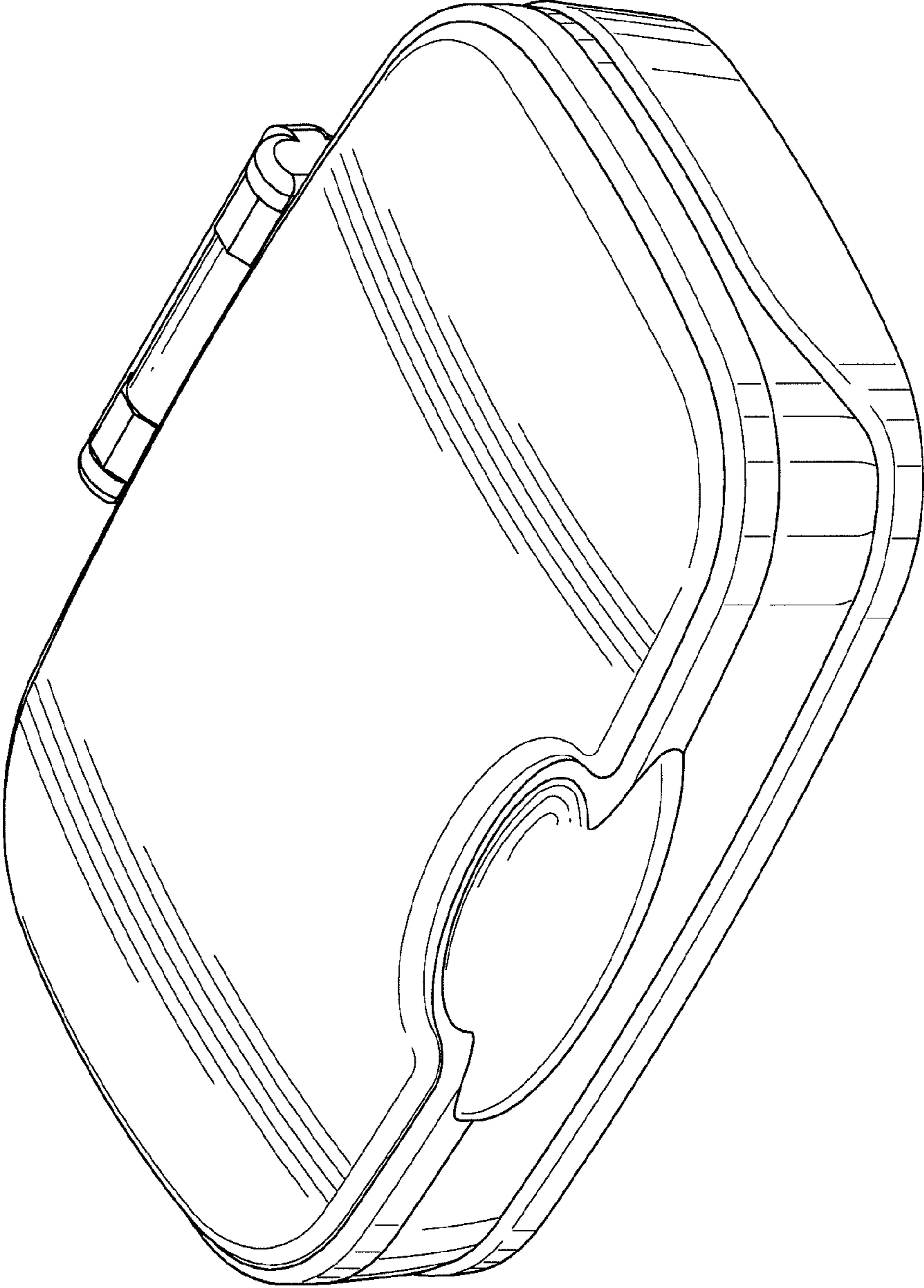


FIG. 1

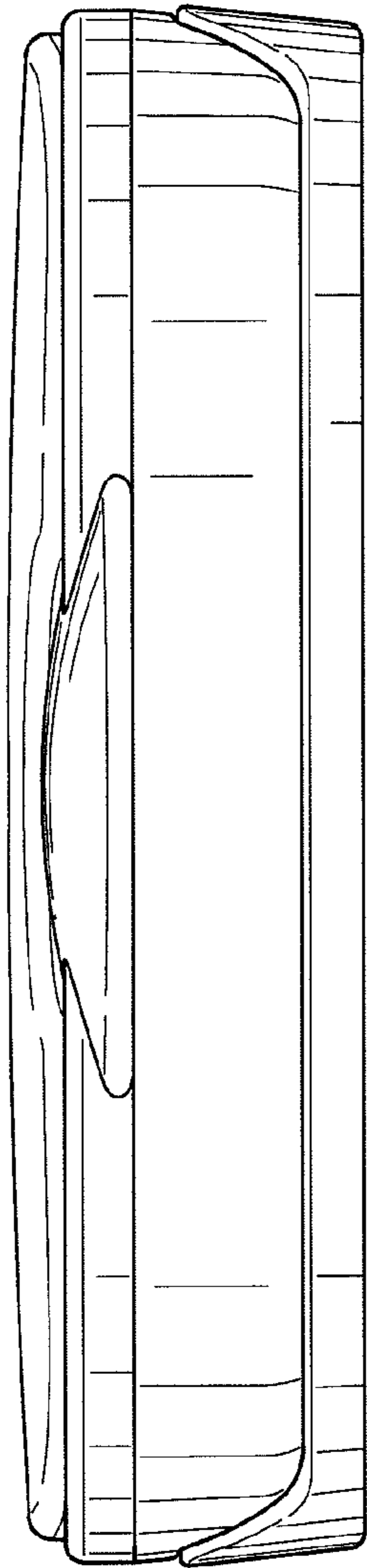


FIG. 2

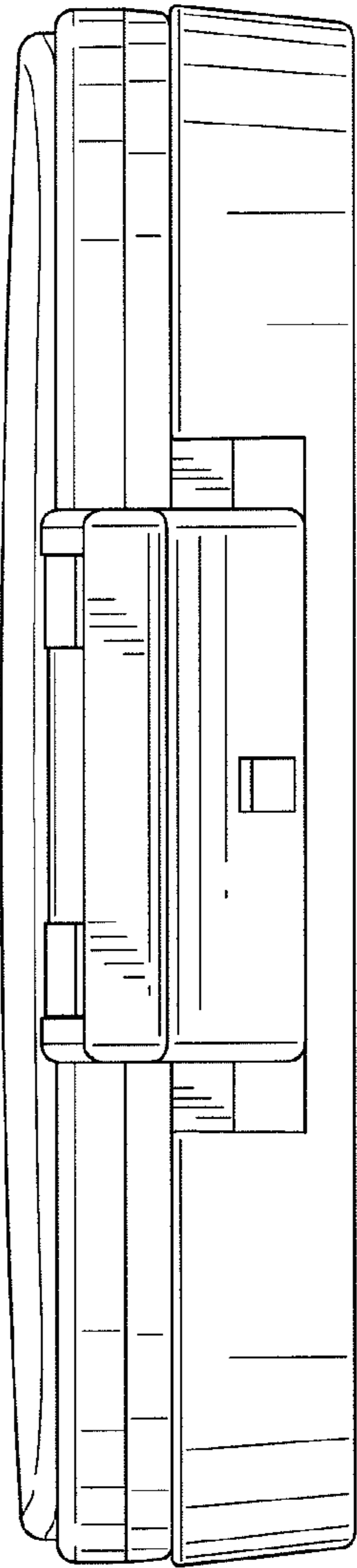


FIG. 3

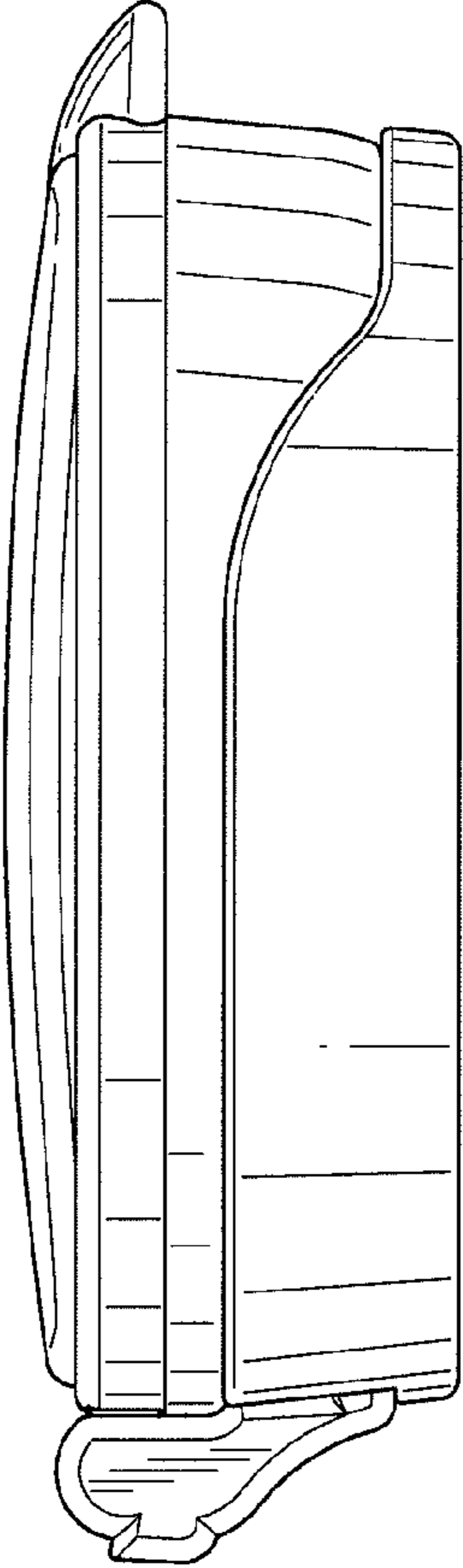


FIG. 4

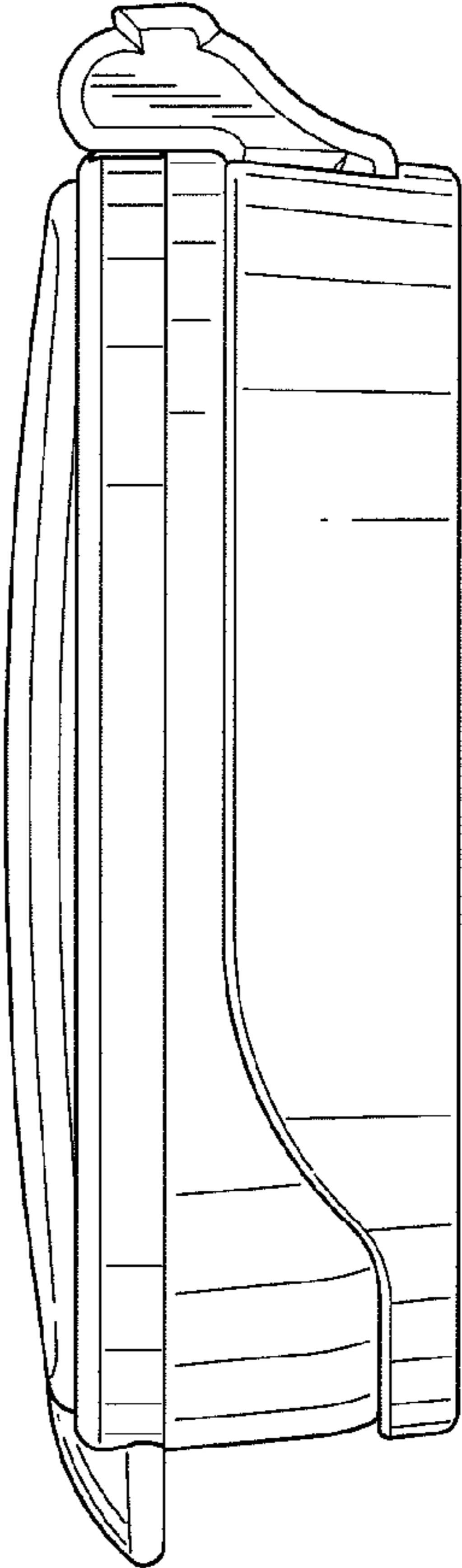


FIG. 5

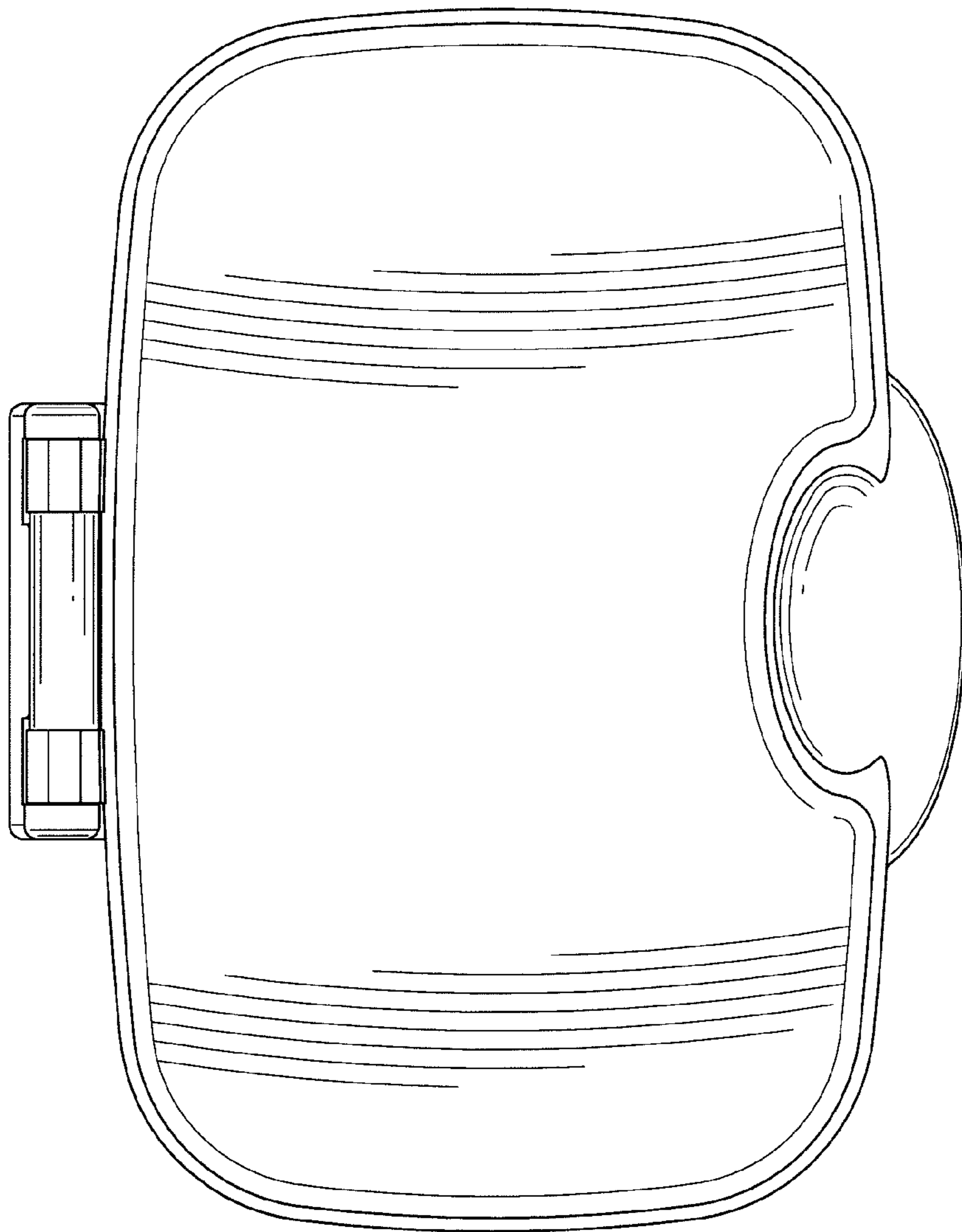


FIG. 6

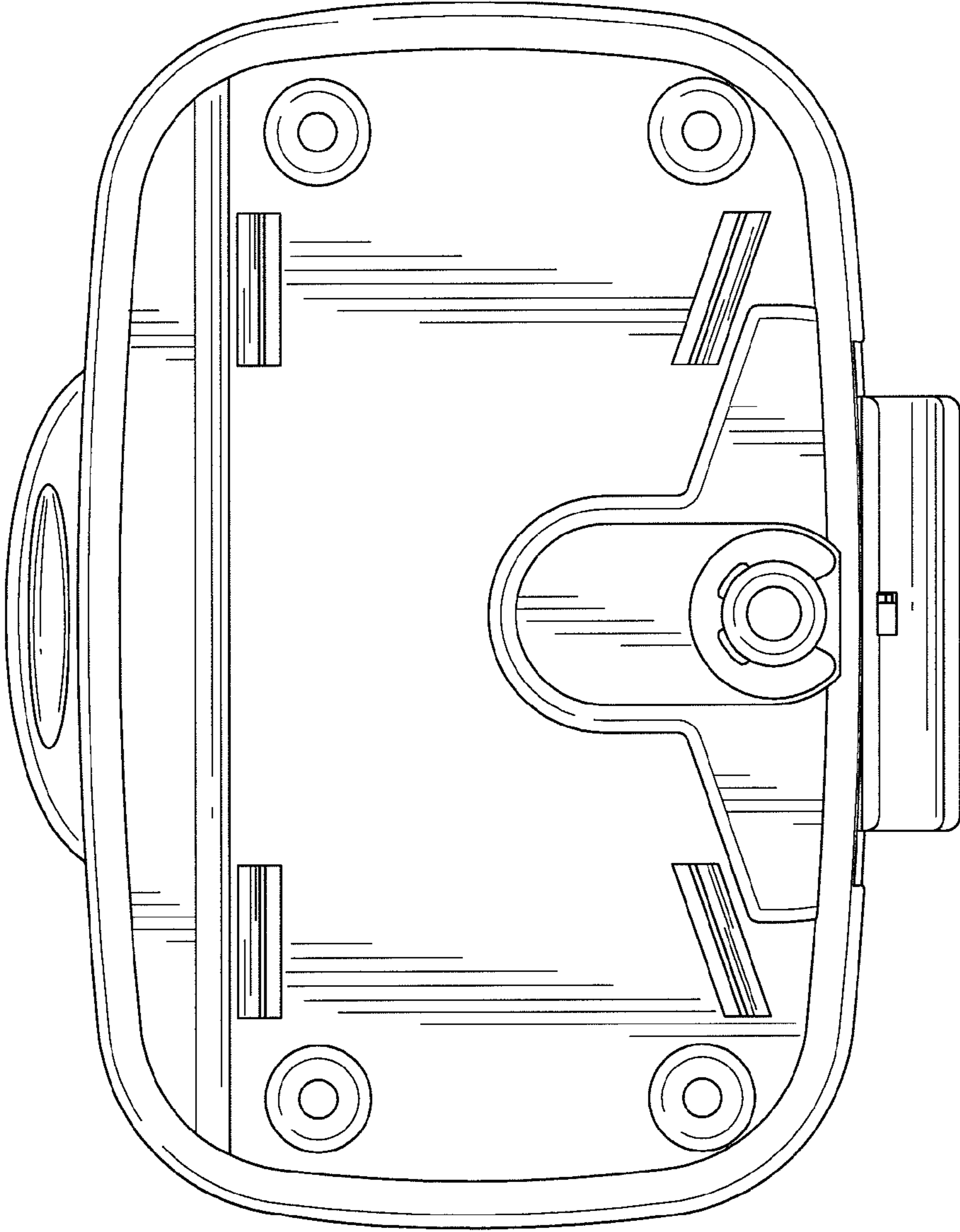


FIG. 7

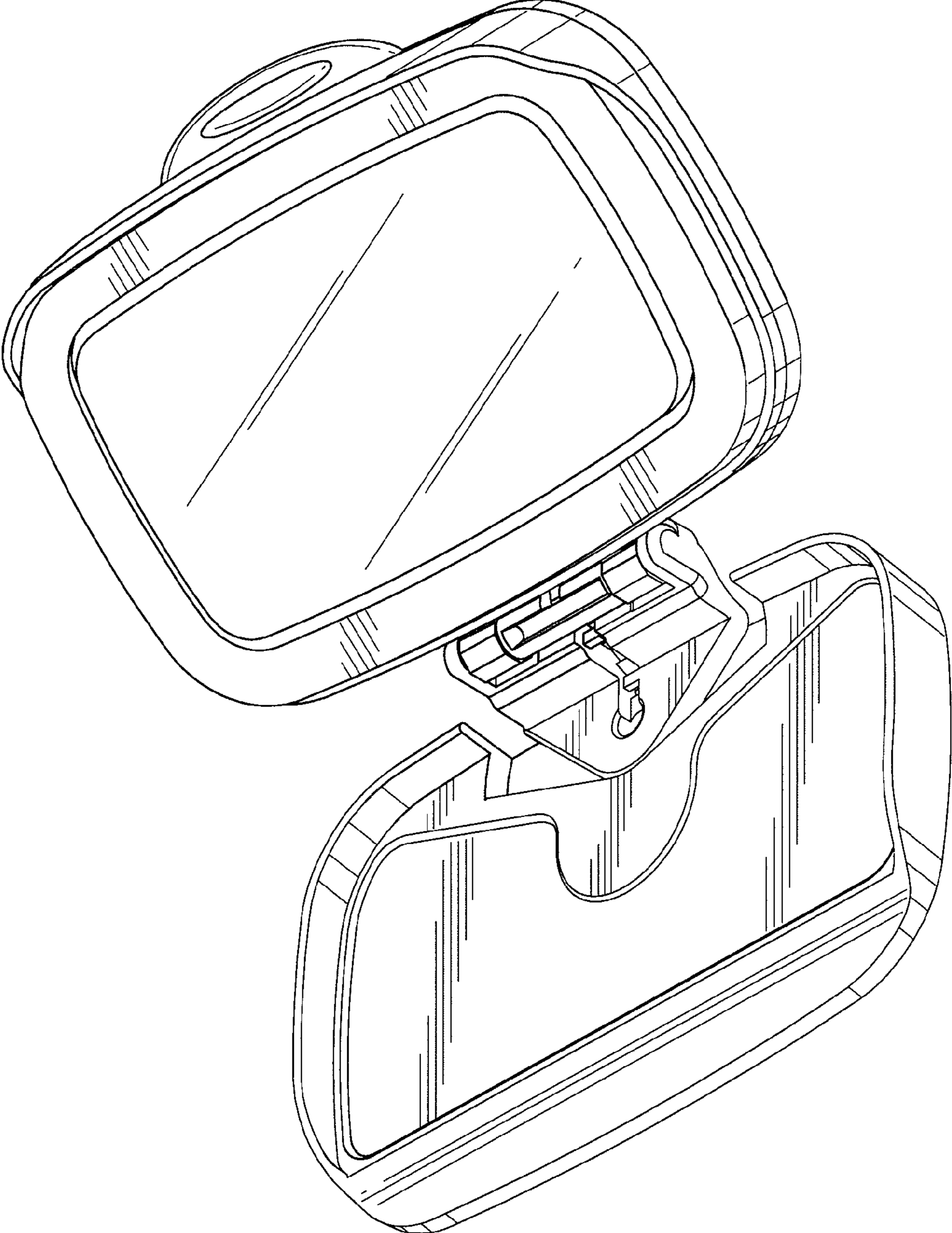


FIG. 8