

US00D603985S

(12) **United States Design Patent**
Richter et al.

(10) **Patent No.:** **US D603,985 S**
(45) **Date of Patent:** **** Nov. 10, 2009**

(54) **NIGHTLIGHT FOR AN ELECTRICAL DEVICE**

(75) Inventors: **James Richter**, Bethpage, NY (US);
Kang Pin Tee, Brooklyn, NY (US);
Ronald Jansen, Ridgewood, NY (US)

(73) Assignee: **Leviton Manufacturing Co., Inc.**, Little Neck, NY (US)

(**) Term: **14 Years**

(21) Appl. No.: **29/320,426**

(22) Filed: **Jun. 26, 2008**

3,204,807 A	9/1965	Ramsing
3,265,888 A	8/1966	Adolpson, Jr.
3,435,169 A	3/1969	Bienwald et al.
D220,795 S	5/1971	Slater
3,588,489 A	6/1971	Gaines
3,739,226 A	6/1973	Seiter et al.
3,746,877 A	7/1973	Seiter et al.
D232,146 S *	7/1974	Dean D6/584
3,895,225 A	7/1975	Prior
D260,438 S *	8/1981	Martinelli D25/105
4,418,979 A	12/1983	Takashima
4,514,789 A	4/1985	Jester
4,522,455 A	6/1985	Johnson
4,546,419 A	10/1985	Johnson

(Continued)

Related U.S. Application Data

(63) Continuation-in-part of application No. 29/318,298, filed on May 16, 2008.

(51) **LOC (9) Cl.** **26-05**

(52) **U.S. Cl.** **D26/26; D13/177**

(58) **Field of Classification Search** D13/137.1,
D13/162, 171, 177, 180; D8/353; D26/26,
D26/51, 118; 174/53, 66; 200/315; 362/20,
362/95, 802; D5/2, 6, 24, 32, 37, 45, 58,
D5/63; D25/52, 103

See application file for complete search history.

(56) **References Cited**

U.S. PATENT DOCUMENTS

D65,877 S *	10/1924	Vandergraw et al.	D5/57
1,678,439 A *	7/1928	Roy	428/38
D96,346 S *	7/1935	Sutton	D5/24
2,134,696 A	11/1938	Bigman	
2,246,613 A	6/1941	Bigman	
2,434,065 A	1/1948	Courtney	
2,494,560 A	1/1950	Kaupp	
2,512,975 A	6/1950	Sherrard	
2,612,597 A	9/1952	Sherrard	
2,740,873 A	3/1956	Cronk	
3,064,380 A *	11/1962	Baut et al.	428/38
D194,802 S *	3/1963	Goodman	D25/142

FOREIGN PATENT DOCUMENTS

EP 0411388 2/1991

Primary Examiner—Selina Sikder

(74) *Attorney, Agent, or Firm*—Carter, DeLuca, Farrell & Schmidt, LLP

(57) **CLAIM**

The ornamental design for a nightlight for an electrical device, as shown and described.

DESCRIPTION

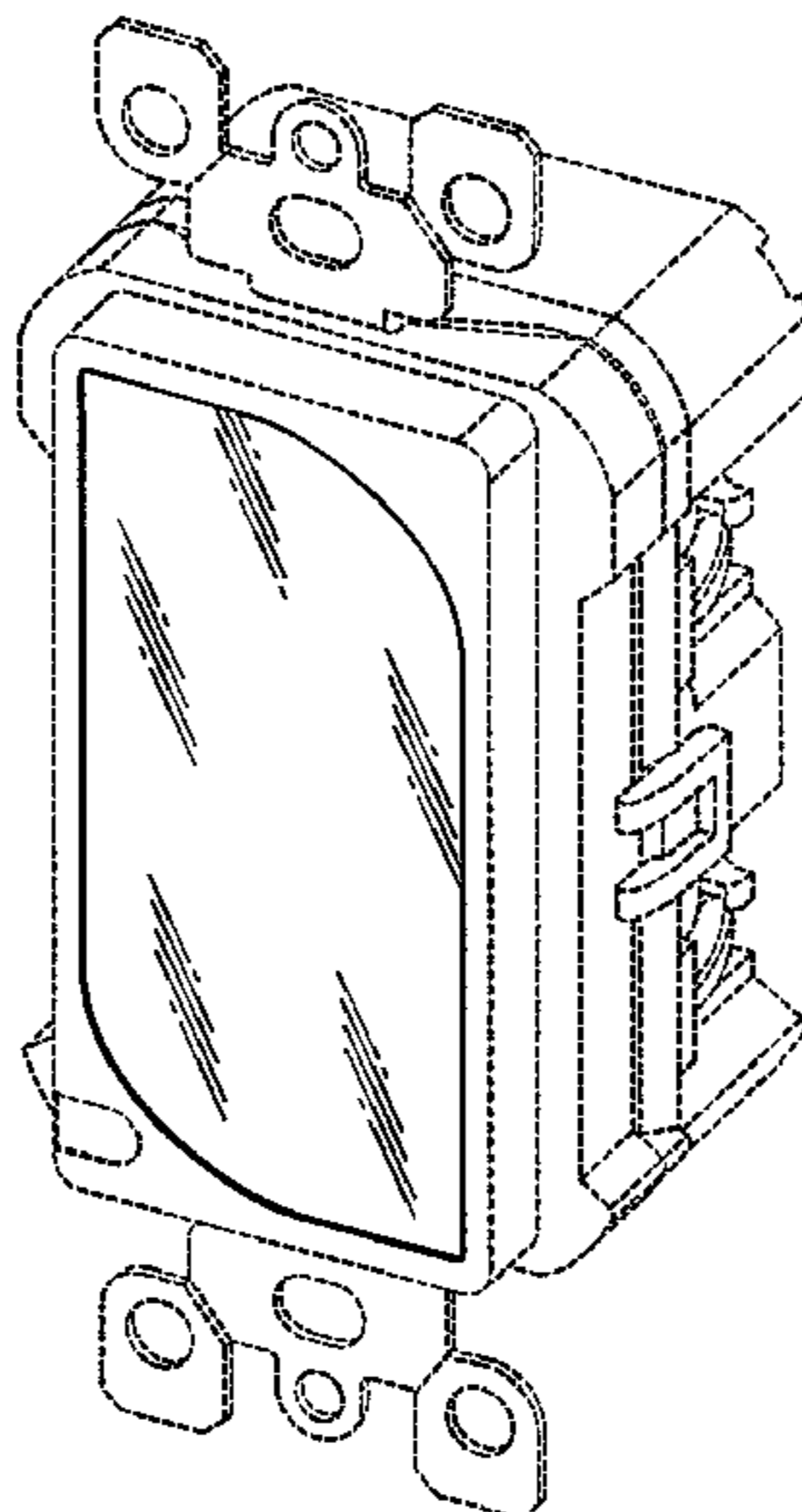
FIG. 1 is a front right perspective view illustrating our new design for a nightlight for an electrical device with the broken lines showing, for illustrative purposes only, a back plate, mounting straps and a housing that are not part of the claimed design;

FIG. 2 is a top view thereof with the broken lines showing the back plate, mounting straps and the housing;

FIG. 3 is a front view thereof with the dashed lines showing the back plate, the mounting straps and the housing; and,

FIG. 4 is a right side view thereof with the broken lines showing the back plate, the mounting straps and the housing.

1 Claim, 2 Drawing Sheets



US D603,985 S

Page 2

U.S. PATENT DOCUMENTS

4,667,073	A	5/1987	Osika		6,888,323	B1	5/2005	Null et al.	
4,755,913	A	7/1988	Sleveland		D508,233	S *	8/2005	Kasae et al.	D13/180
4,774,641	A	9/1988	Rice		6,929,376	B2	8/2005	Harris	
D342,581	S *	12/1993	Reynolds	D26/26	D510,913	S *	10/2005	Sumitani	D13/180
D345,219	S *	3/1994	Granda et al.	D25/103	6,962,505	B1	11/2005	Savicki, Jr. et al.	
D359,346	S *	6/1995	Martin	D23/366	6,986,589	B2	1/2006	Evans et al.	
5,473,517	A	12/1995	Blackman		D515,448	S	2/2006	Nelson et al.	
D366,339	S	1/1996	Waller		D515,449	S	2/2006	Nelson et al.	
5,485,356	A	1/1996	Nguyen		D515,959	S	2/2006	Nelson et al.	
5,696,350	A	12/1997	Anker et al.		D515,960	S	2/2006	Nelson et al.	
D397,812	S *	9/1998	Schifrin	D26/26	7,036,948	B1	5/2006	Wyatt	
5,833,350	A	11/1998	Moreland		7,045,975	B2	5/2006	Evans	
5,934,451	A	8/1999	Yu et al.		7,118,235	B2	10/2006	Barton	
D413,862	S	9/1999	Huang et al.		D534,873	S	1/2007	Merritt et al.	
6,000,807	A	12/1999	Moreland		D535,627	S	1/2007	Merritt et al.	
6,005,189	A	12/1999	Anker et al.		D542,230	S	5/2007	Merritt et al.	
6,045,232	A	4/2000	Buckmaster		D543,159	S	5/2007	Merritt et al.	
6,078,113	A	6/2000	True et al.		D553,102	S	10/2007	Merritt et al.	
D427,887	S *	7/2000	Leopold et al.	D8/353	7,285,723	B2	10/2007	Lindenstrauss et al.	
6,089,893	A	7/2000	Yu et al.		7,360,912	B1 *	4/2008	Savicki, Jr.	362/95
6,350,039	B1	2/2002	Lee		7,416,310	B1 *	8/2008	Savicki, Jr.	362/95
6,386,725	B1	5/2002	Amburgey		D578,163	S *	10/2008	Chou	D19/99
6,421,941	B1 *	7/2002	Finke et al.	40/611.05	D589,009	S *	3/2009	Sumitani	D13/180
6,437,700	B1	8/2002	Herzfeld et al.		D594,664	S *	6/2009	Otte	D5/63
D468,033	S *	12/2002	Warren et al.	D26/26	2002/0172042	A1	11/2002	Wen-Chung	
6,547,411	B1	4/2003	Dornbusch		2005/0012633	A1	1/2005	Yoon	
6,593,530	B2 *	7/2003	Hunt	174/66	2005/0152128	A1	7/2005	Campman	
D482,736	S *	11/2003	Manville	D21/484	2007/0171625	A1 *	7/2007	Glazner	362/95
6,765,149	B1	7/2004	Ku		2007/0251712	A1	11/2007	Berg et al.	
6,805,469	B1	10/2004	Barton		2007/0291469	A1 *	12/2007	Chen	362/95
6,808,283	B2 *	10/2004	Tsao	362/95	2008/0073117	A1	3/2008	Misener	
6,827,602	B2	12/2004	Greene et al.		2009/0032278	A1 *	2/2009	Weeks et al.	174/53
6,883,927	B2	4/2005	Cunningham et al.		2009/0052162	A1 *	2/2009	Richter et al.	362/95
D505,395	S *	5/2005	Fort et al.	D13/170	2009/0141477	A1 *	6/2009	Bhosale et al.	362/95

* cited by examiner

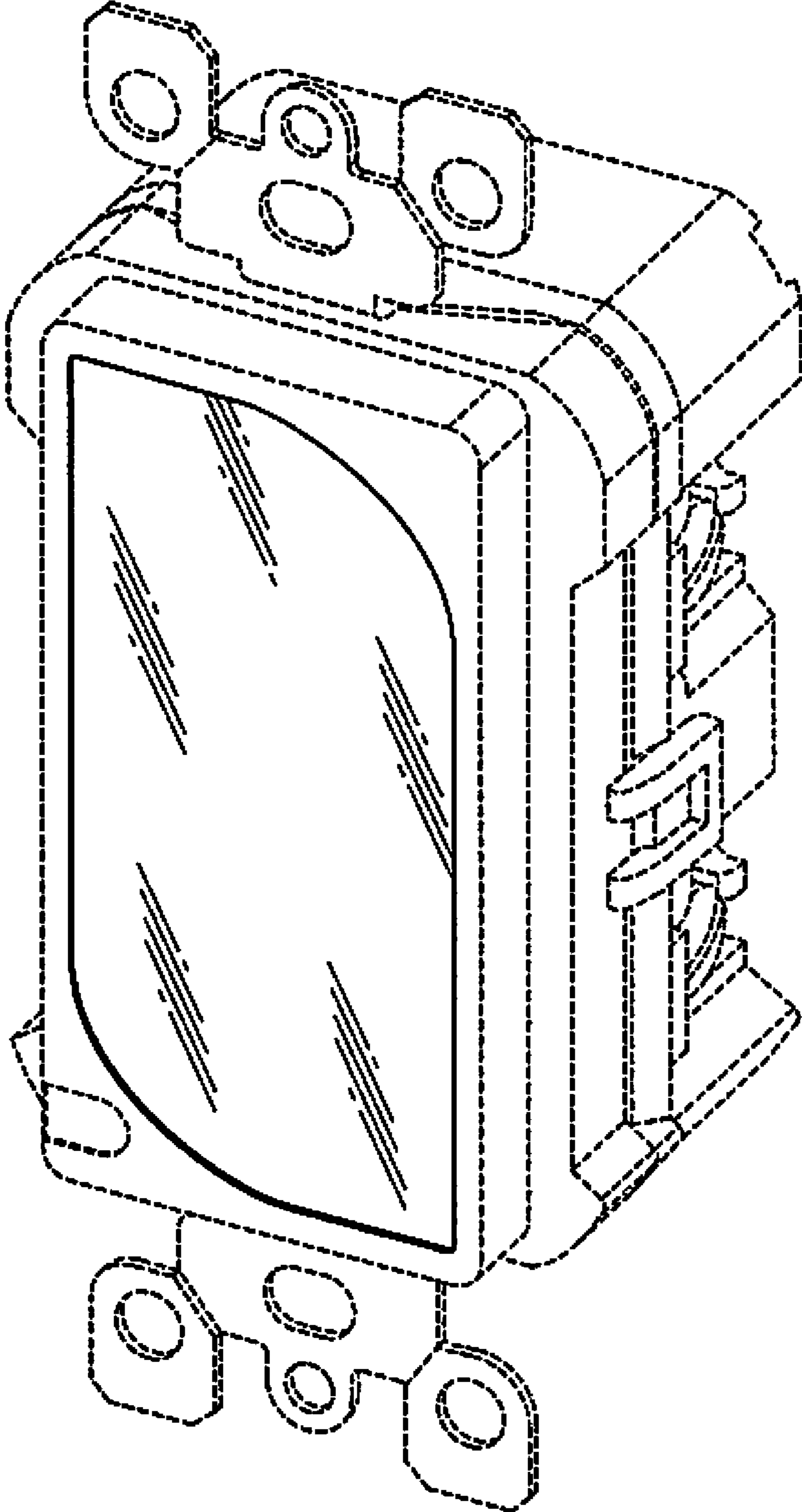


FIG. 1

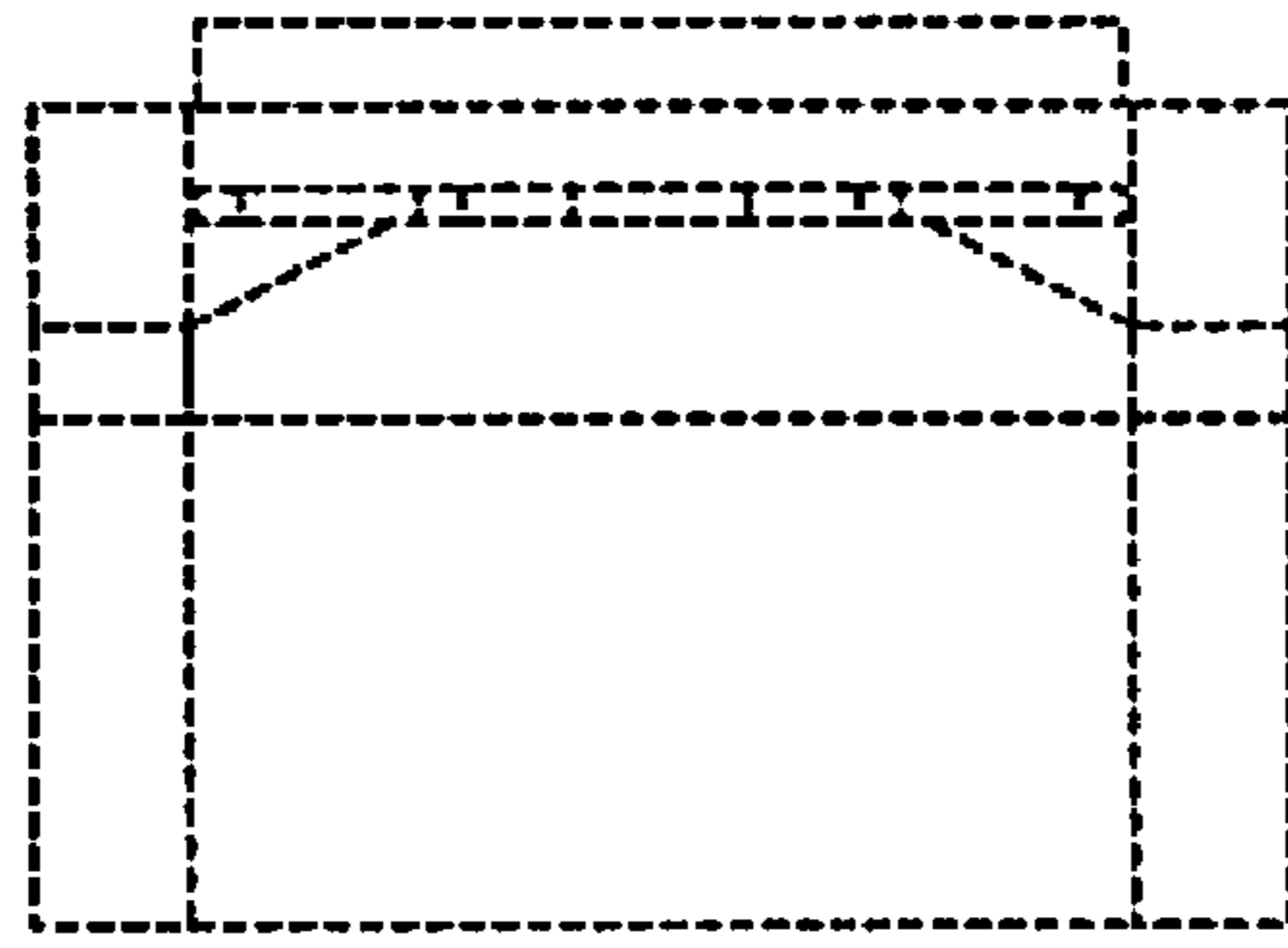


FIG. 2

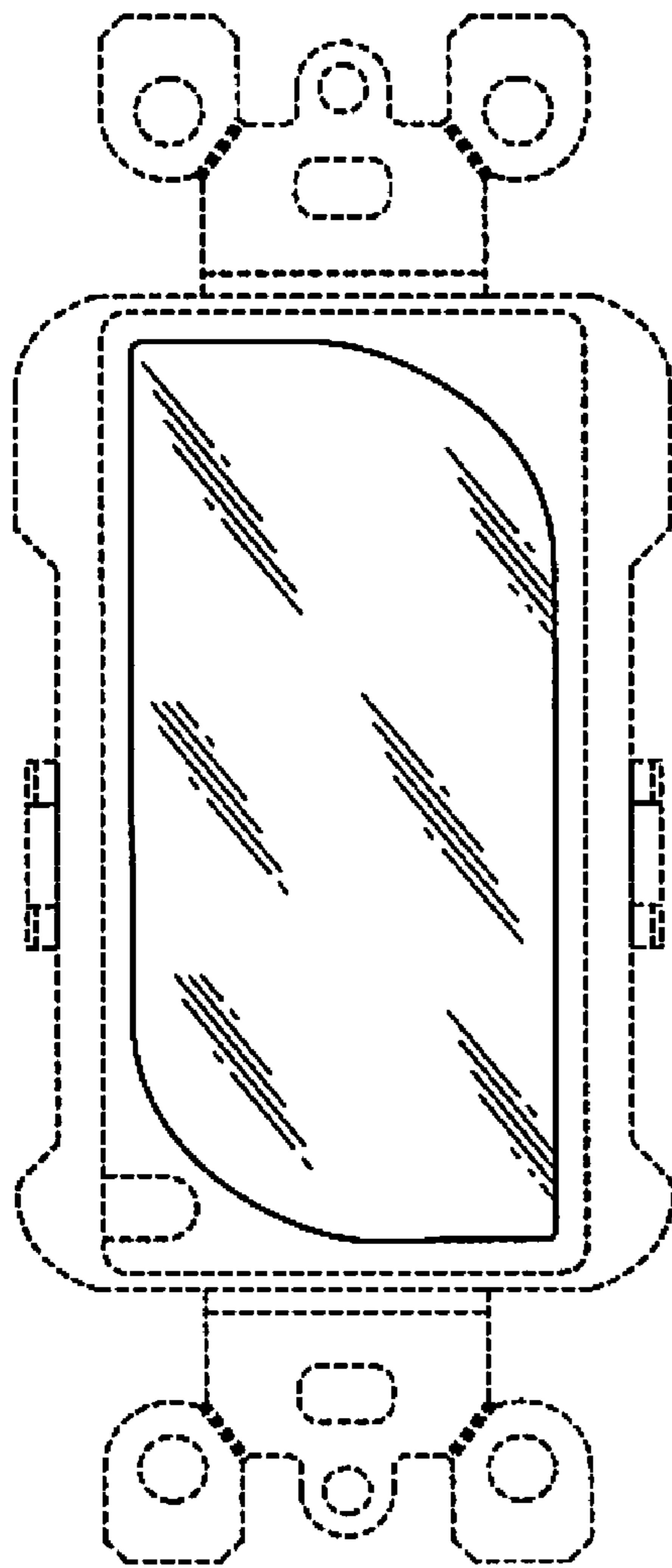


FIG. 3

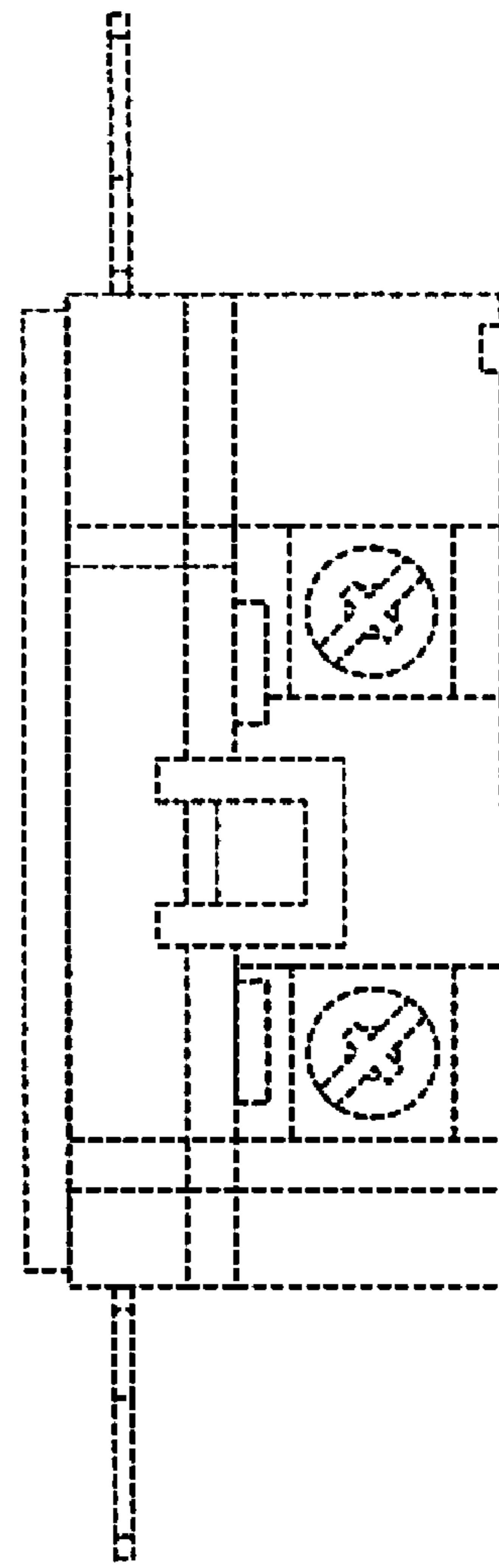


FIG. 4