



US00D603982S

(12) **United States Design Patent**
Foo

(10) **Patent No.:** **US D603,982 S**

(45) **Date of Patent:** **** Nov. 10, 2009**

(54) **LAMP**

D566,300 S * 4/2008 Lo D26/2

D582,578 S * 12/2008 Tsai et al. D26/2

D593,222 S * 5/2009 To et al. D26/2

(75) Inventor: **Onn Fah Foo**, Hong Kong (CN)

(73) Assignee: **Mass Technology (H.K.) Ltd.**, Kowloon (HK)

* cited by examiner

(**) Term: **14 Years**

Primary Examiner—Marcus A. Jackson

(74) *Attorney, Agent, or Firm*—Kevin J. McNeely

(21) Appl. No.: **29/333,356**

(57) **CLAIM**

(22) Filed: **Mar. 6, 2009**

The ornamental design for lamp, as shown and described.

(30) **Foreign Application Priority Data**

Dec. 19, 2008 (HK) 0803013

DESCRIPTION

(51) **LOC (9) Cl.** **26-04**

(52) **U.S. Cl.** **D26/2**

(58) **Field of Classification Search** D26/1-4;
313/313, 315, 317, 318, 493; 315/52, 53,
315/56, 57, 58

See application file for complete search history.

FIG. 1 is a front view of the lamp, showing the new design;

FIG. 2 is a rear view of the lamp;

FIG. 3 is a left side view of the lamp;

FIG. 4 is a right side view of the lamp;

FIG. 5 is a top view of the lamp;

FIG. 6 is a bottom view of the lamp; and,

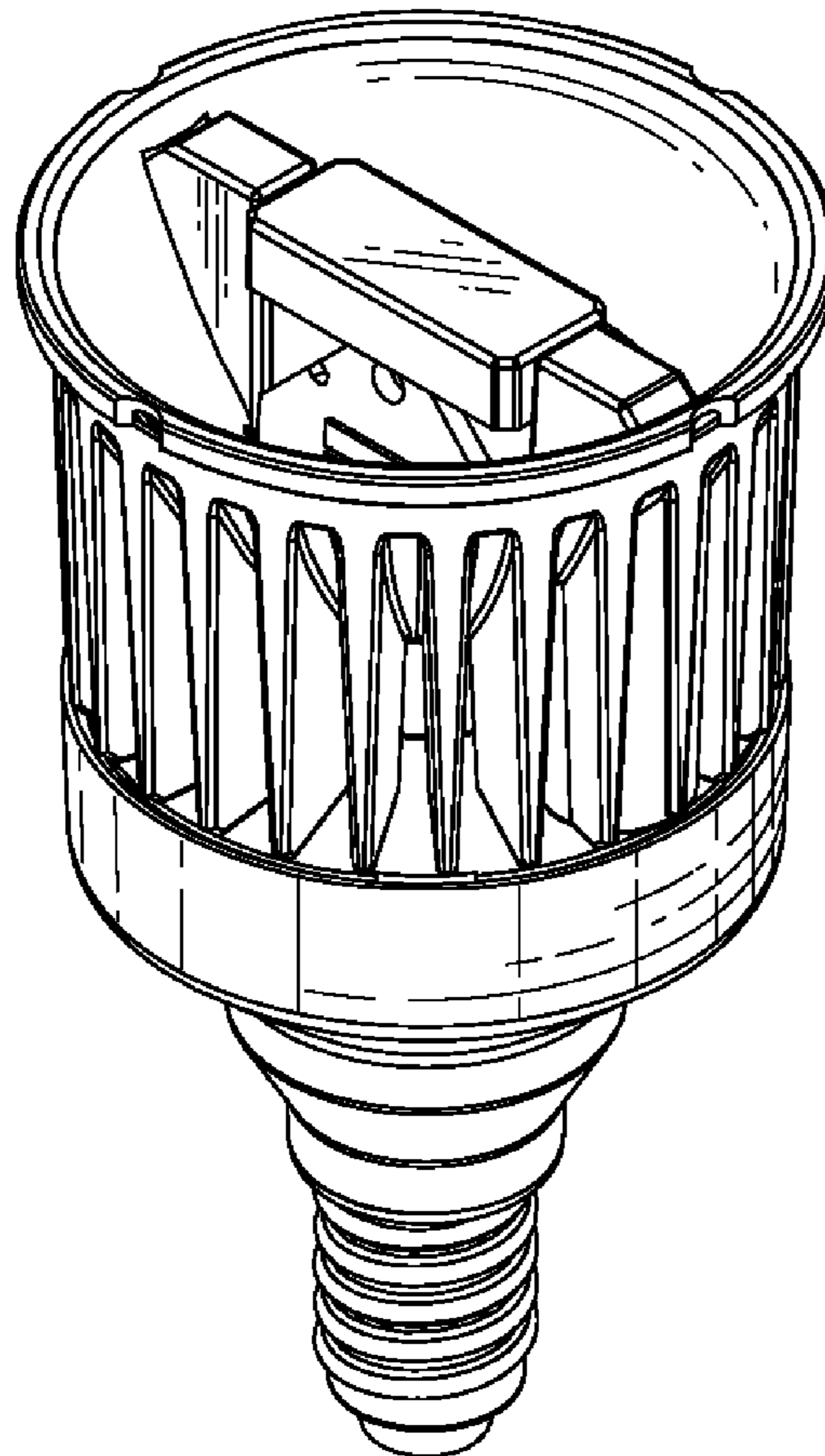
FIG. 7 is top perspective view of the lamp.

(56) **References Cited**

U.S. PATENT DOCUMENTS

D549,854 S * 8/2007 Takahashi et al. D26/2

1 Claim, 3 Drawing Sheets



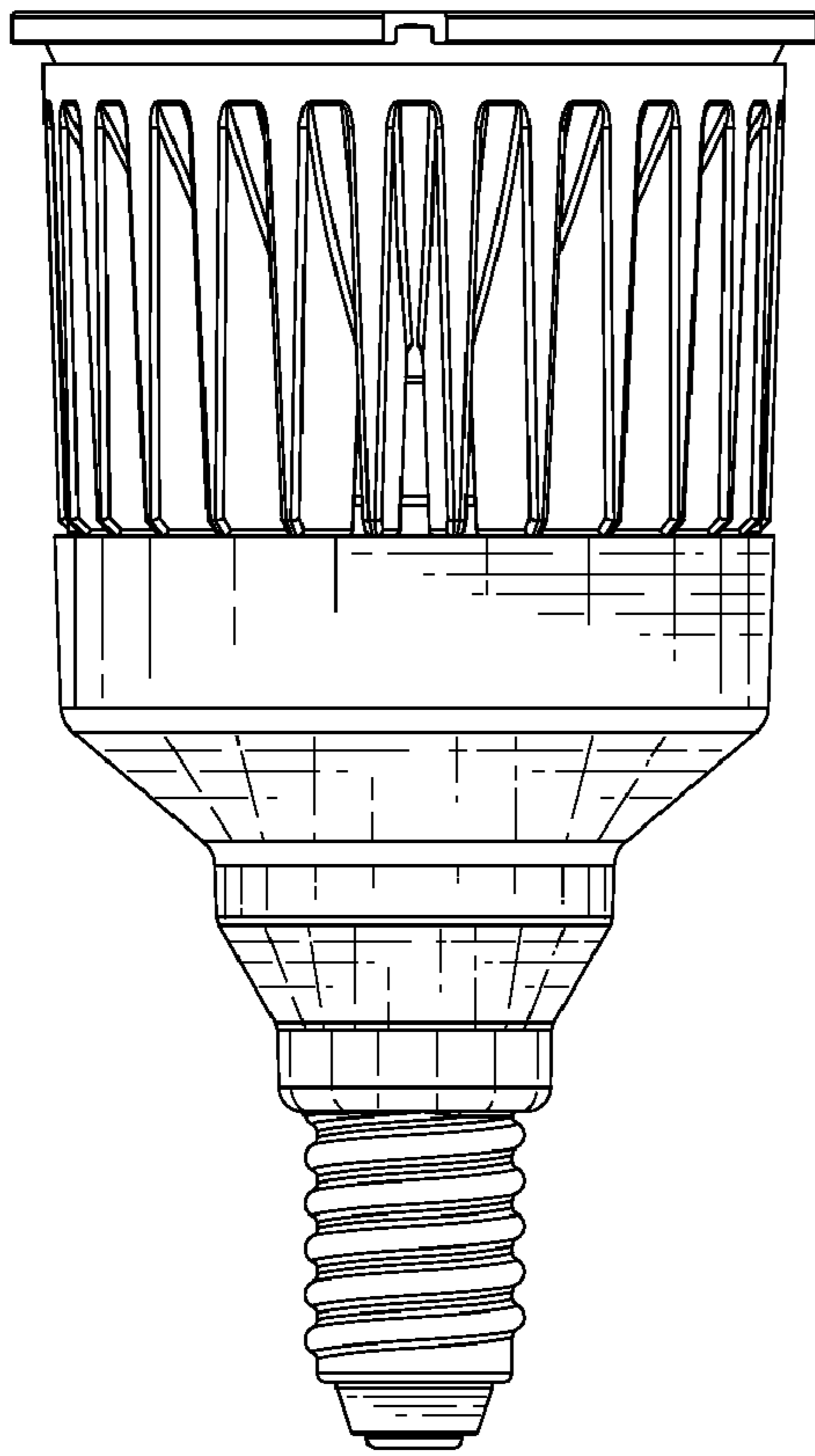


Fig. 1

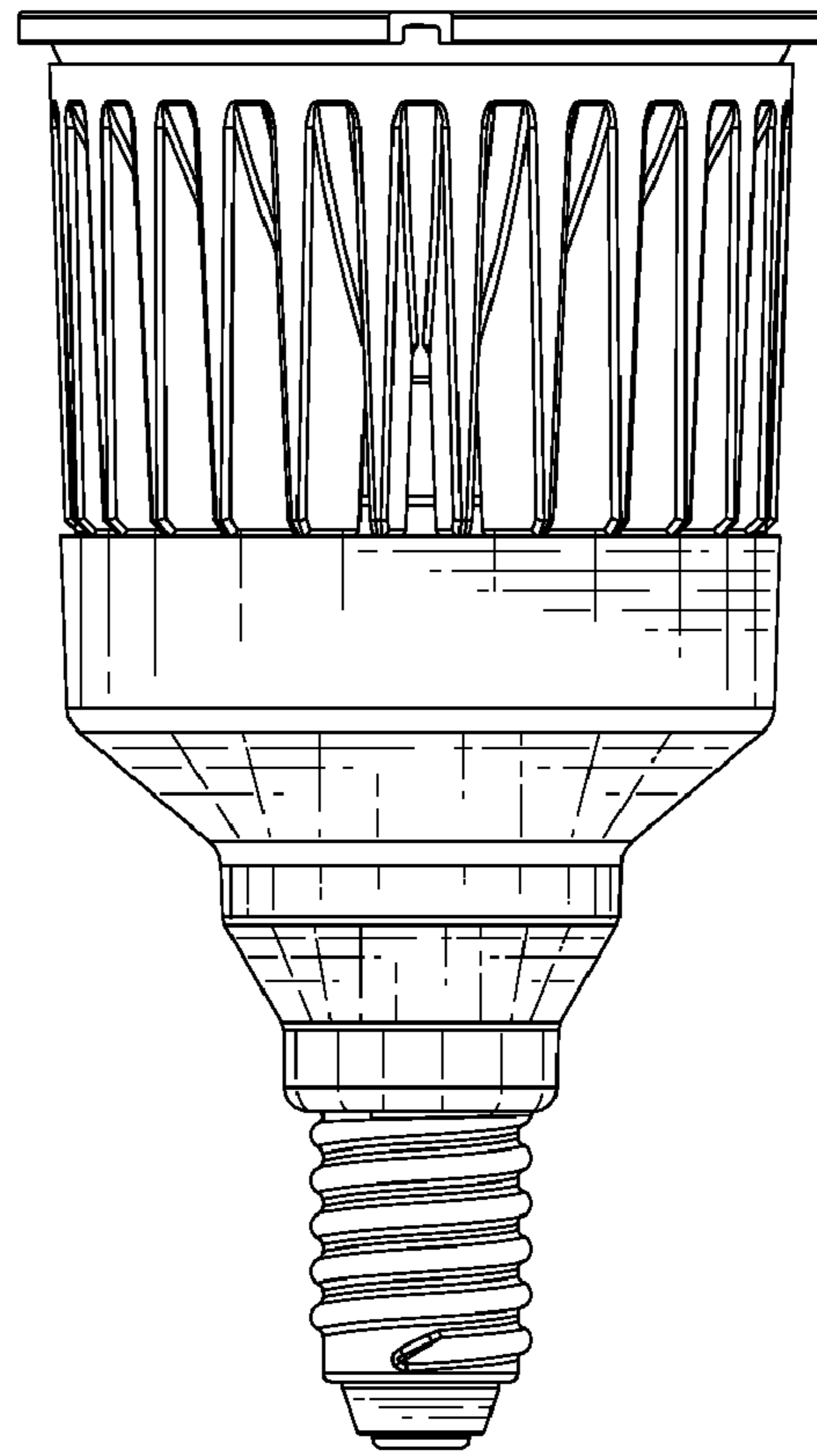


Fig. 2

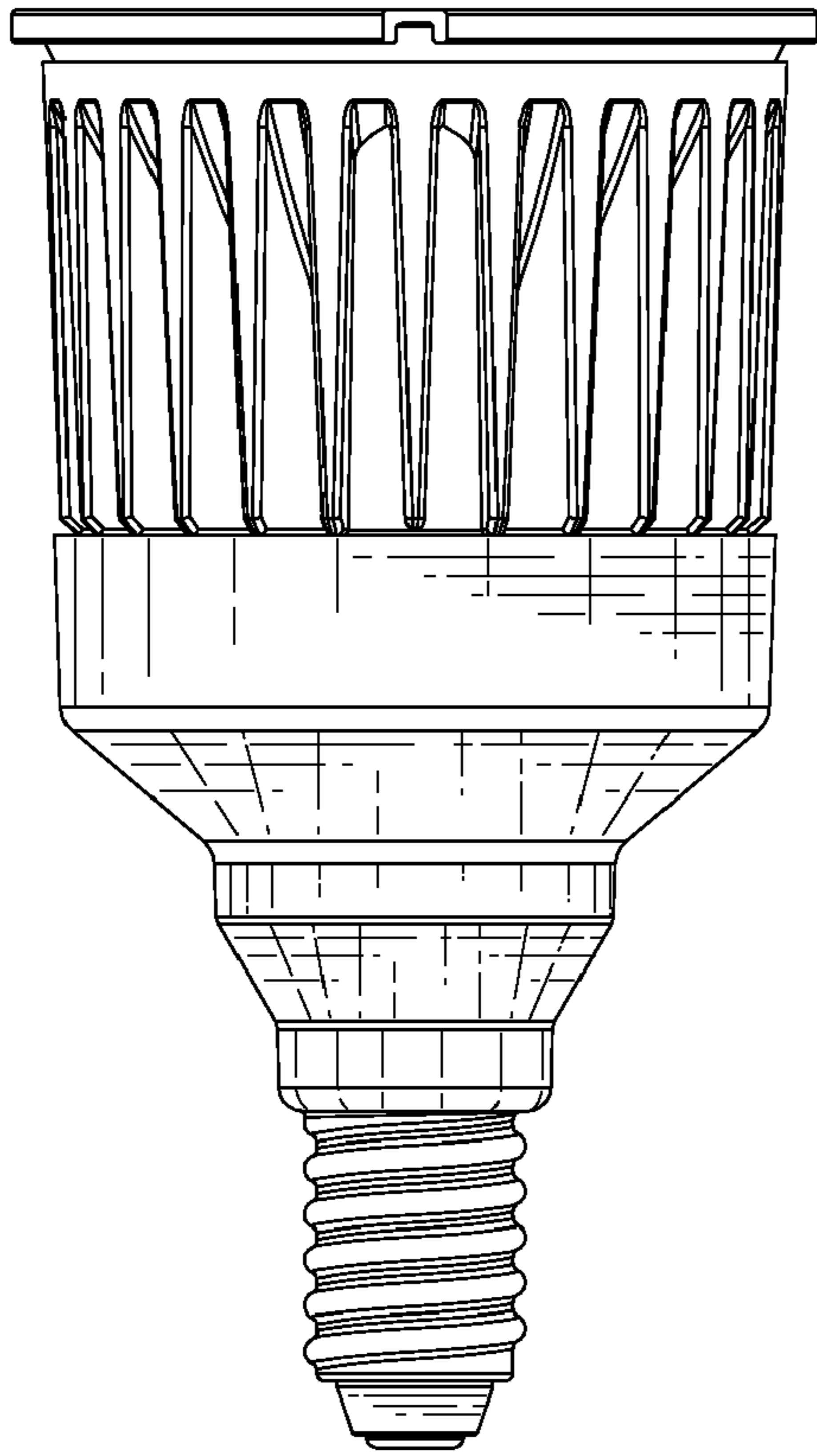


Fig. 3

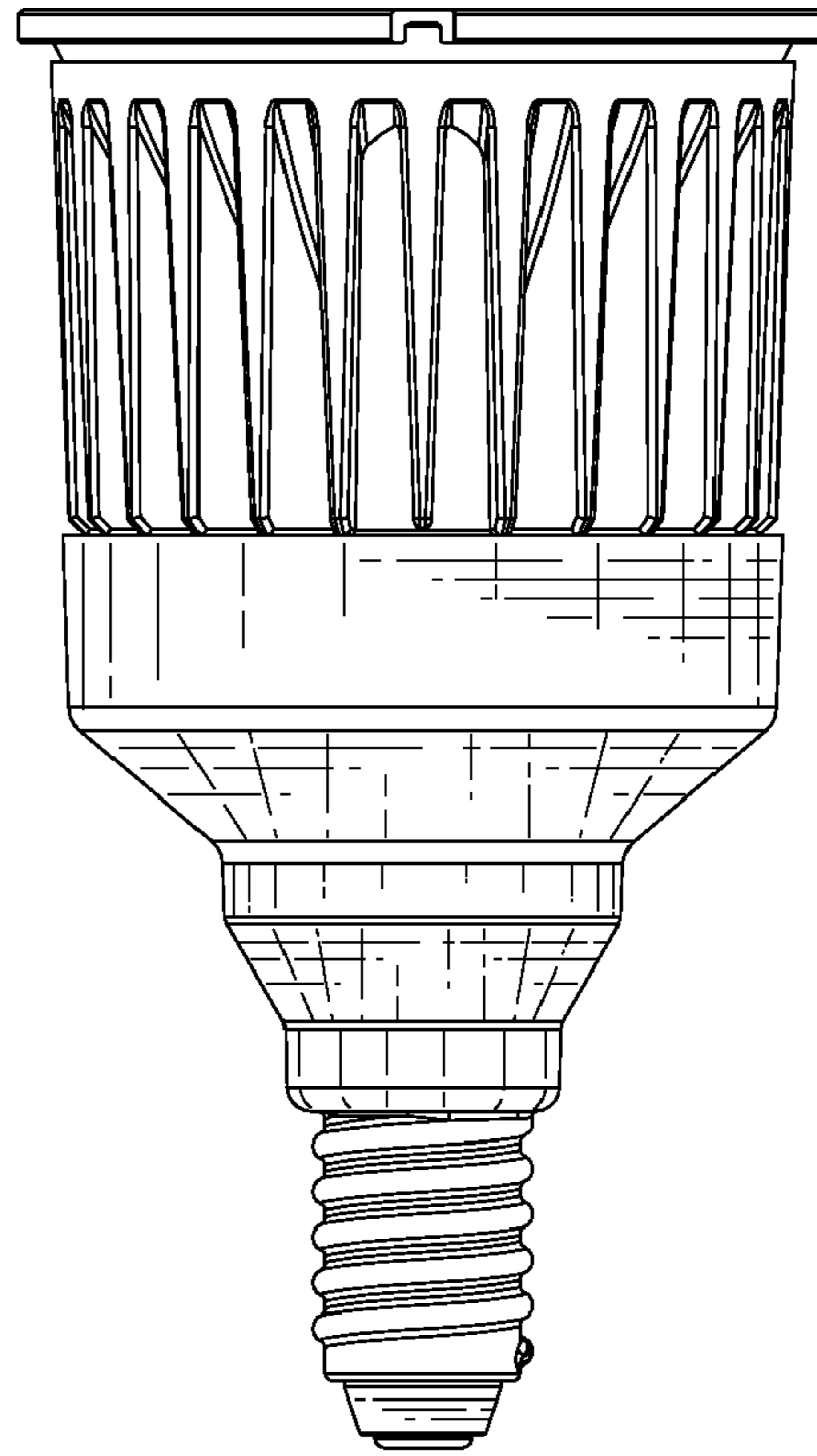


Fig. 4

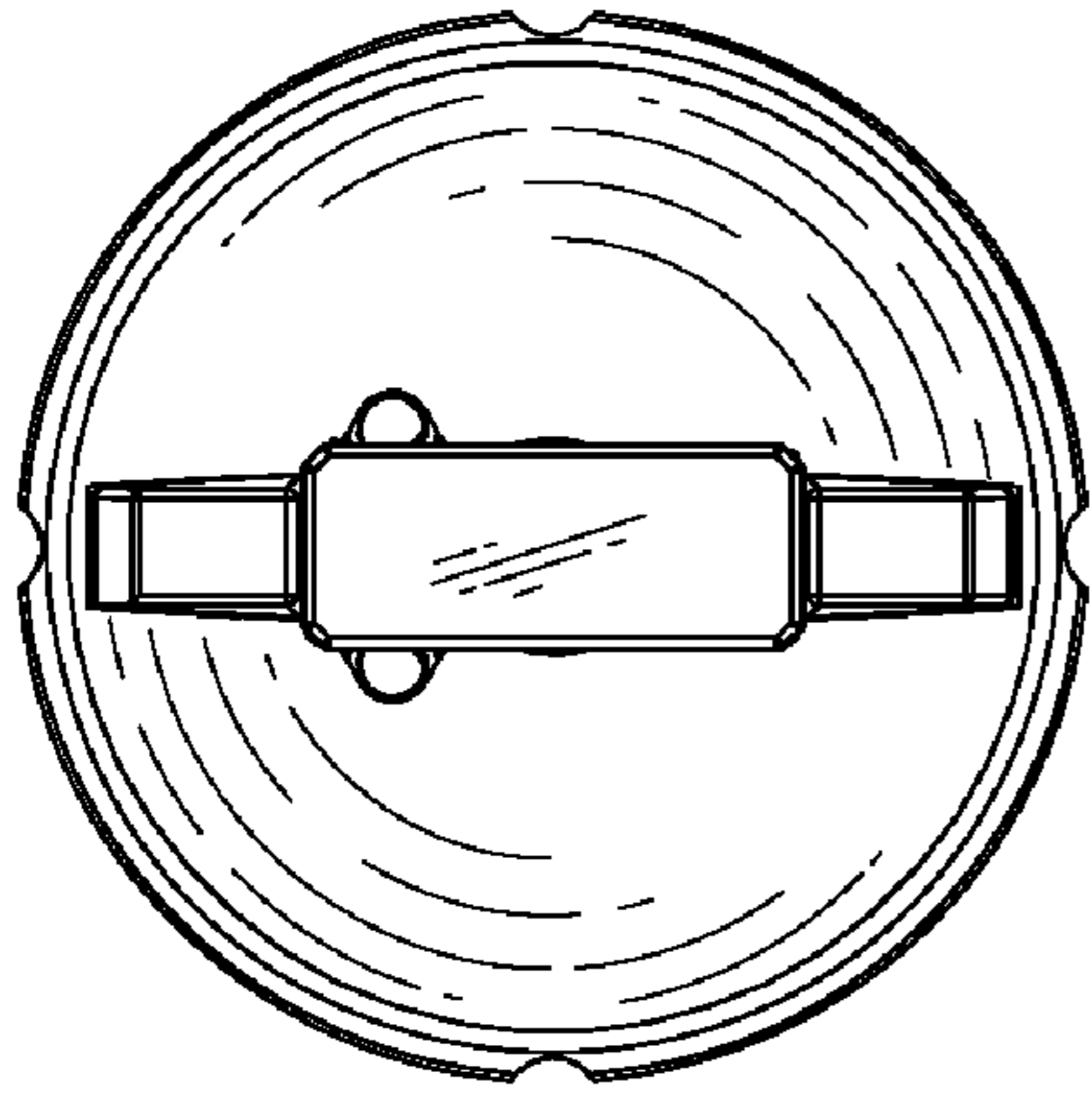


Fig. 5

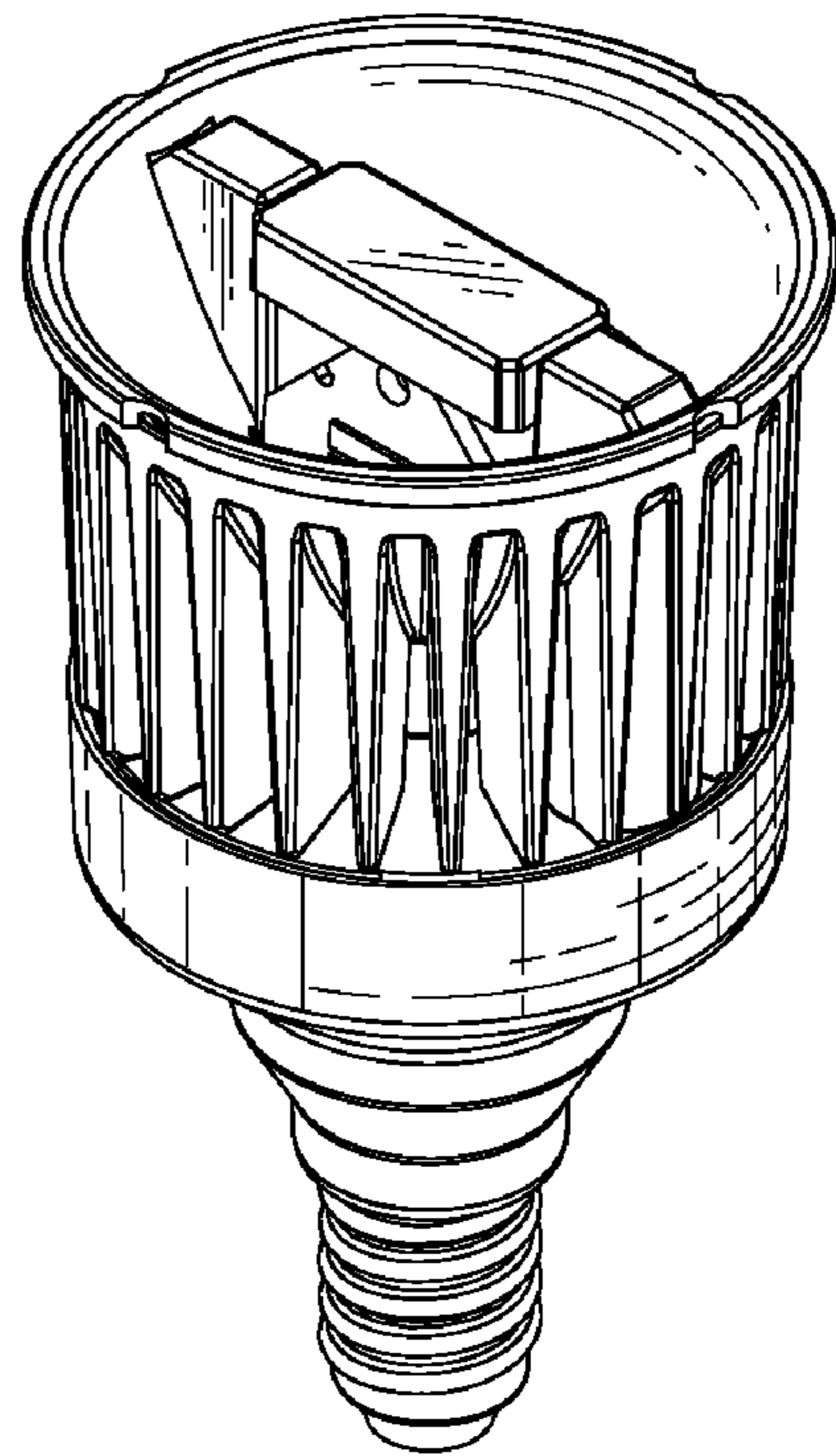


Fig. 7

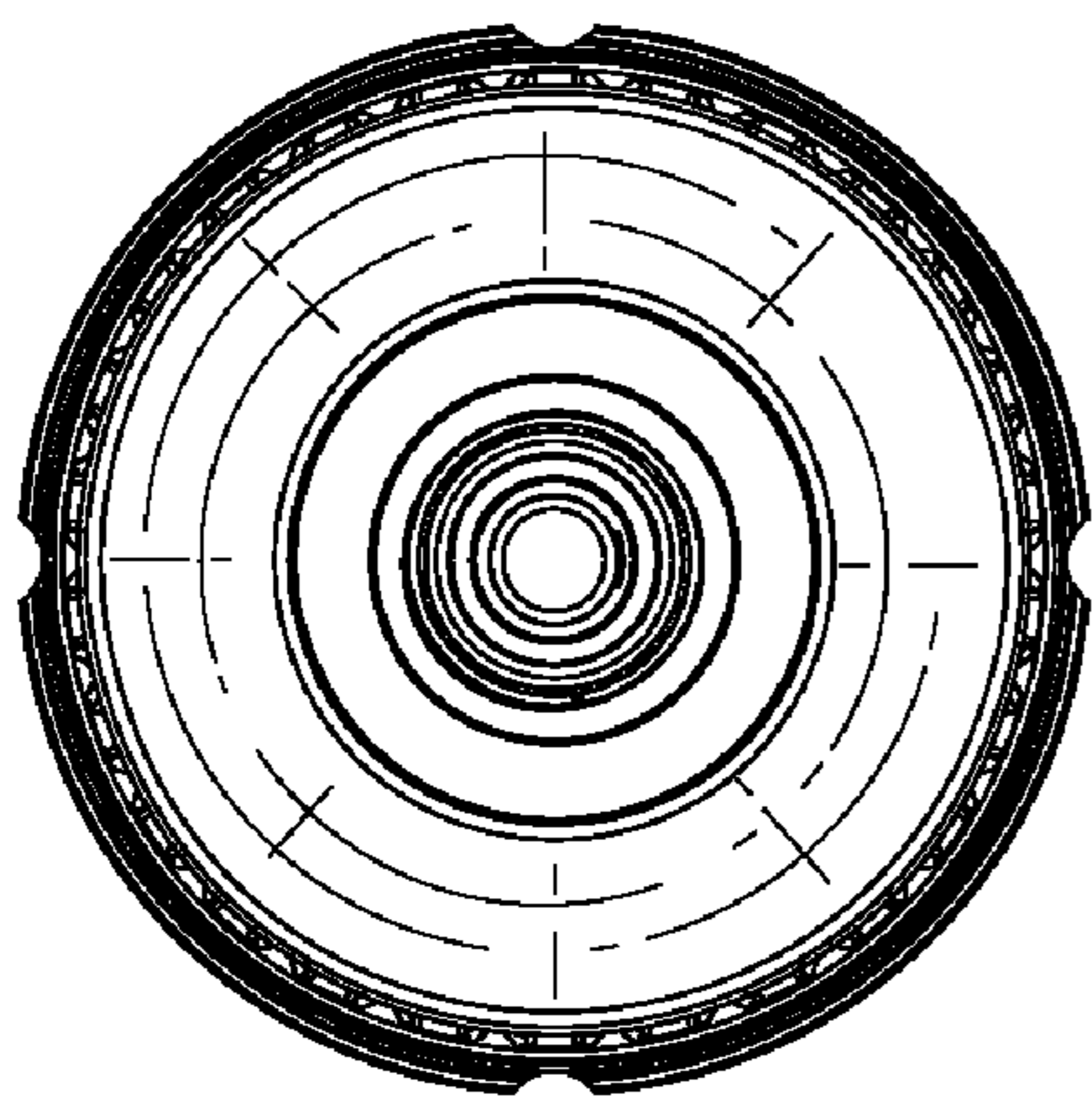


Fig. 6