



US00D603974S

(12) **United States Design Patent**  
**Hamilton et al.**

(10) **Patent No.:** **US D603,974 S**

(45) **Date of Patent:** **\*\* Nov. 10, 2009**

(54) **BEAM ASSEMBLY**

(75) Inventors: **John Hamilton**, Emeryville, CA (US);  
**Marv Knauf**, Conklin, MI (US); **Mark Slager**, Caledonia, MI (US); **Kurt Heidmann**, Grand Rapids, MI (US)

(73) Assignee: **Steelcase Inc.**, Grand Rapids, MI (US)

(\*\*) Term: **14 Years**

(21) Appl. No.: **29/318,657**

(22) Filed: **May 23, 2008**

(51) **LOC (9) Cl.** ..... **25-02**

(52) **U.S. Cl.** ..... **D25/58**

(58) **Field of Classification Search** ..... 52/238.1,  
52/36.5, 36.1, 239, 243; 312/257.1, 406;  
D25/58

See application file for complete search history.

(56) **References Cited**

**U.S. PATENT DOCUMENTS**

|           |     |         |                  |         |
|-----------|-----|---------|------------------|---------|
| 3,749,432 | A   | 7/1973  | Janssen          |         |
| 4,382,642 | A   | 5/1983  | Burdick          |         |
| 4,619,486 | A   | 10/1986 | Hannah et al.    |         |
| 4,914,873 | A   | 4/1990  | Newhouse         |         |
| 4,974,913 | A   | 12/1990 | Vogt et al.      |         |
| 5,186,425 | A   | 2/1993  | Keusch et al.    |         |
| 5,325,904 | A * | 7/1994  | Leitner          | 160/135 |
| 5,362,923 | A   | 11/1994 | Newhouse et al.  |         |
| 5,394,658 | A   | 3/1995  | Schreiner et al. |         |
| 5,428,928 | A   | 7/1995  | Hellwig et al.   |         |
| 5,606,919 | A   | 3/1997  | Fox et al.       |         |
| 5,852,904 | A   | 12/1998 | Yu et al.        |         |
| D411,626  | S * | 6/1999  | Hoyle            | D25/58  |
| 6,076,317 | A * | 6/2000  | Hellwig et al.   | 52/239  |
| 6,152,048 | A   | 11/2000 | Vander Park      |         |
| 6,161,347 | A   | 12/2000 | Yu et al.        |         |
| 6,176,561 | B1  | 1/2001  | Roels et al.     |         |

|              |      |         |                  |         |
|--------------|------|---------|------------------|---------|
| 6,367,213    | B1   | 4/2002  | Reuter et al.    |         |
| 6,415,553    | B1 * | 7/2002  | Krayer et al.    | 52/36.1 |
| 6,612,077    | B2 * | 9/2003  | Parshad          | 52/36.5 |
| 6,658,805    | B1   | 12/2003 | Yu et al.        |         |
| 6,725,784    | B2   | 4/2004  | Crinion          |         |
| 6,754,998    | B2   | 6/2004  | Diffrient et al. |         |
| 6,761,004    | B2   | 7/2004  | Anglin et al.    |         |
| 6,920,727    | B2   | 7/2005  | Yu et al.        |         |
| 7,055,287    | B2   | 6/2006  | Yu et al.        |         |
| D540,473     | S *  | 4/2007  | Loggen           | D25/58  |
| 7,249,624    | B2   | 7/2007  | Zeh et al.       |         |
| 2002/0088188 | A1   | 7/2002  | Chang            |         |

\* cited by examiner

*Primary Examiner*—Doris Clark

(74) *Attorney, Agent, or Firm*—Price, Heneveld, Cooper, DeWitt & Litton, LLP

(57) **CLAIM**

We claim the ornamental design for the beam assembly, as shown.

**DESCRIPTION**

FIG. 1 is a perspective view of a top, front and first end of the beam assembly of the present invention;

FIG. 2 is a front elevational view of the beam assembly;

FIG. 3 is an elevational view of the first end of the beam assembly;

FIG. 4 is a rear elevational view of the beam assembly;

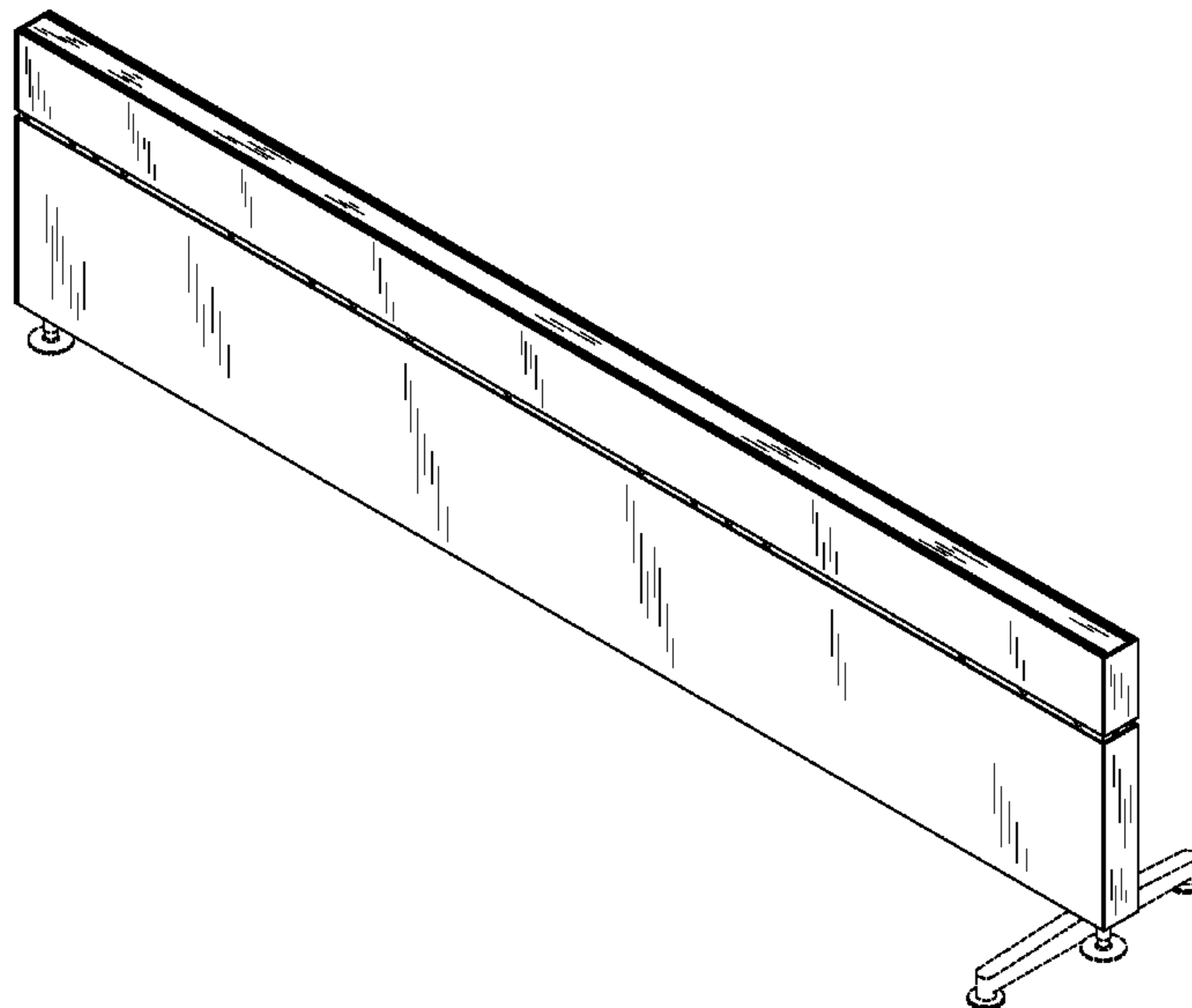
FIG. 5 is an elevational view of a second end of the beam assembly;

FIG. 6 is a top plan view of the beam assembly; and,

FIG. 7 is a bottom plan view of the beam assembly.

Broken lines in the drawings form no part of the design as claimed.

**1 Claim, 4 Drawing Sheets**



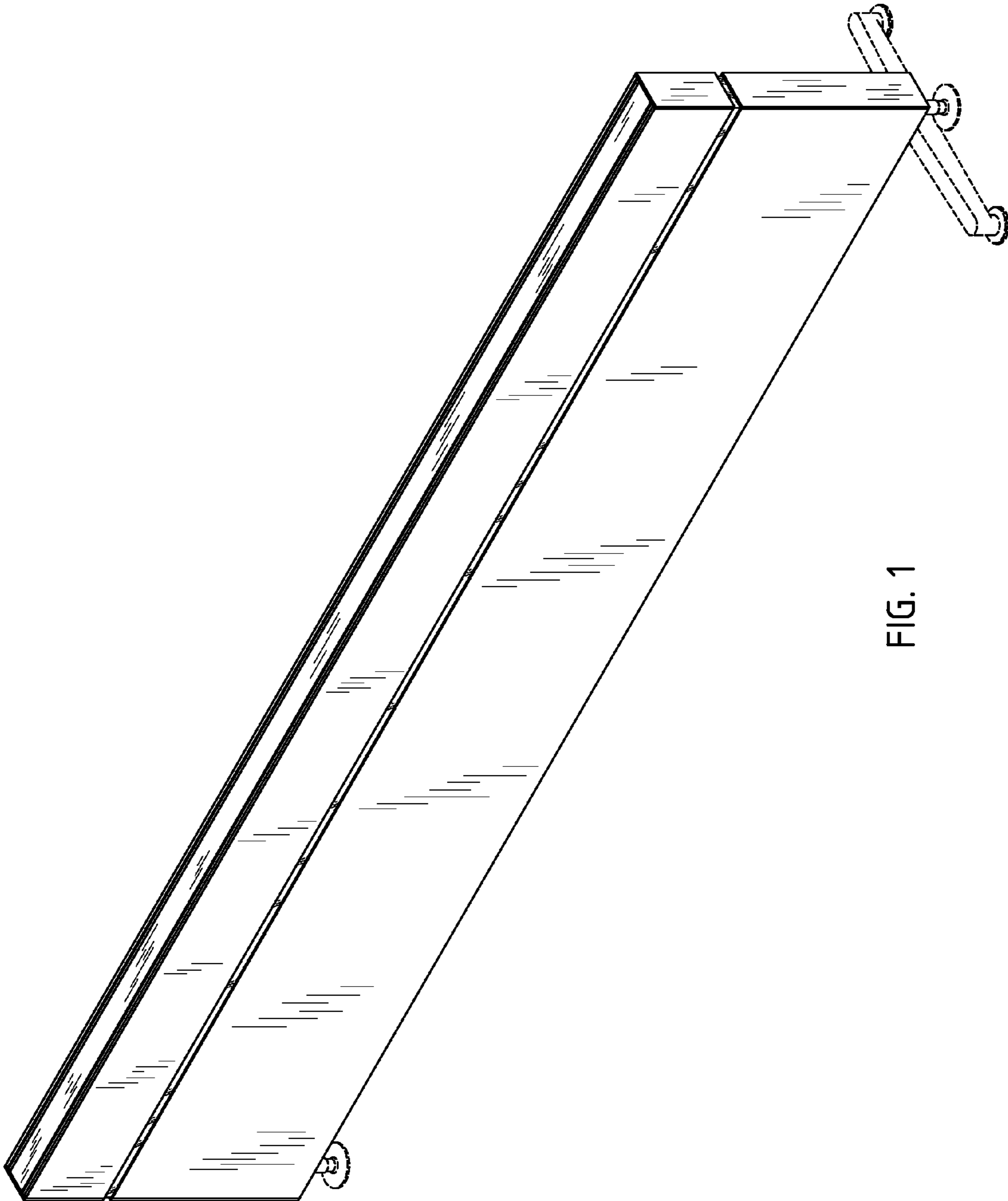


FIG. 1

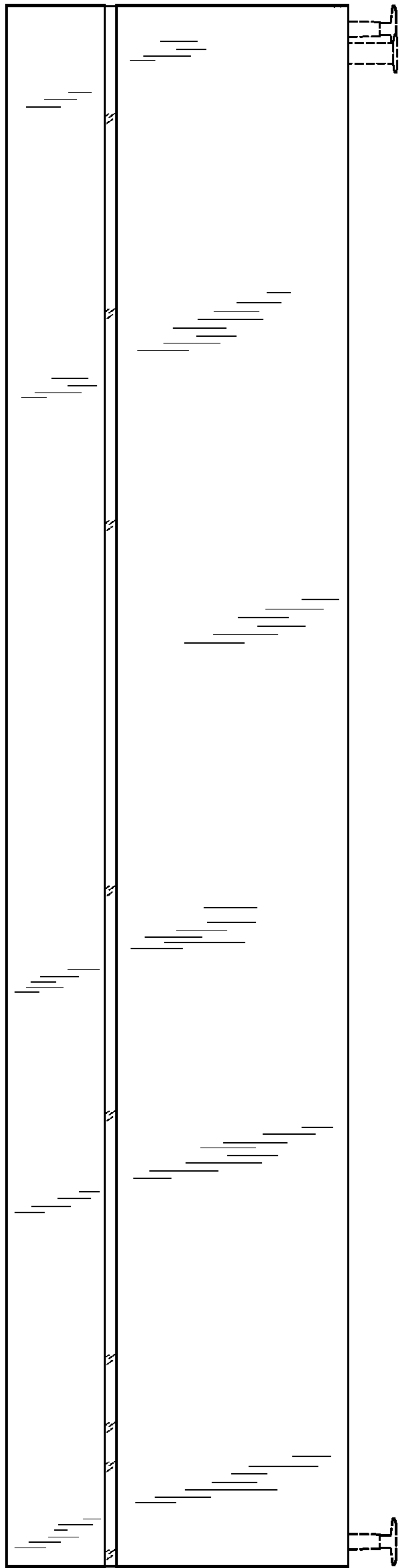


FIG. 2

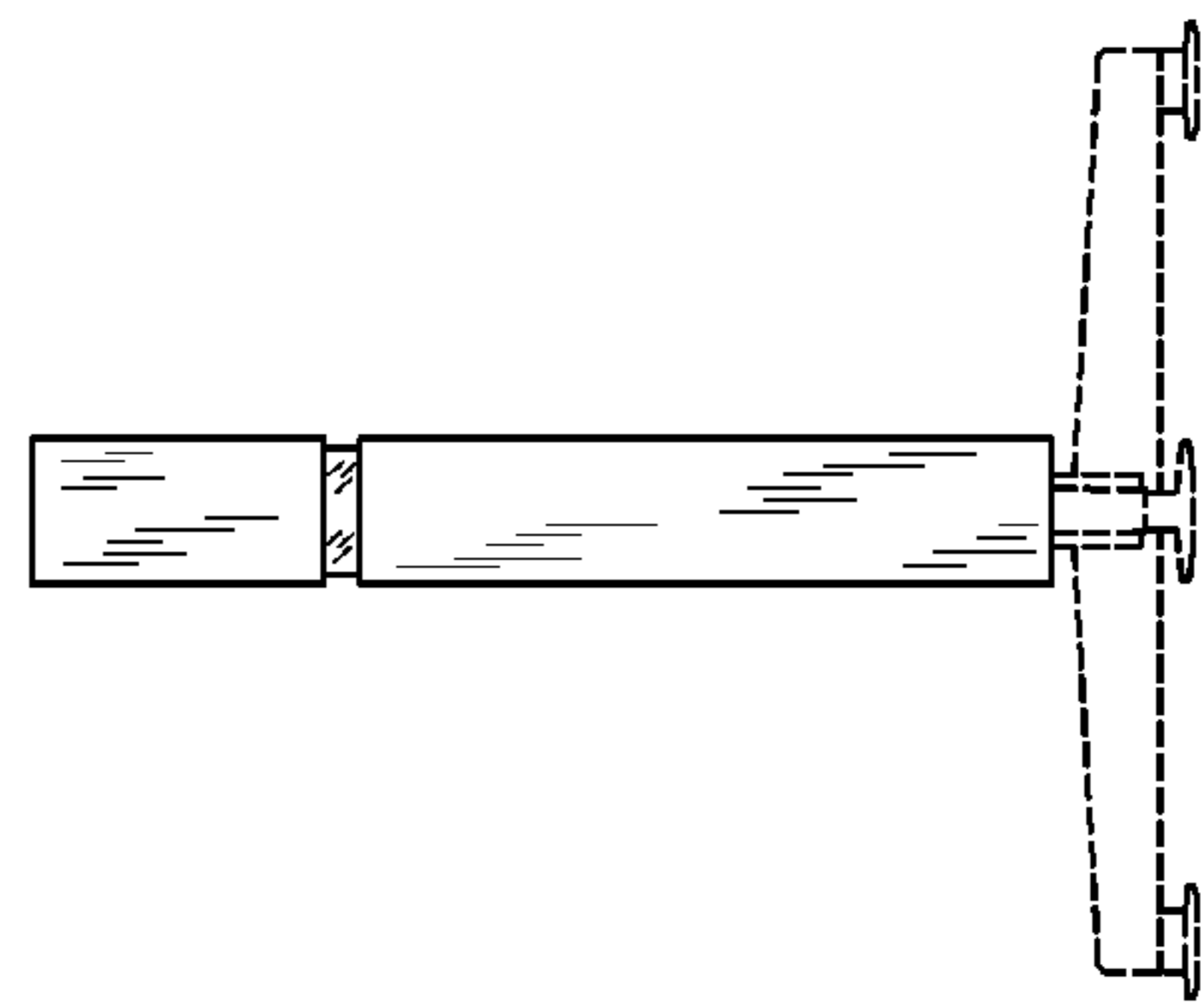


FIG. 3

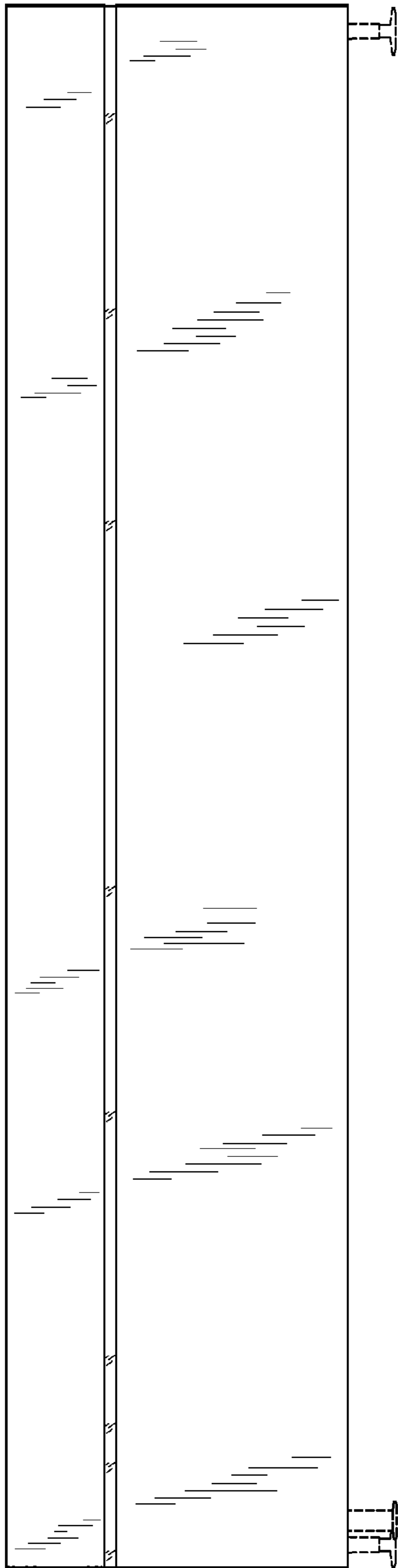


FIG. 4

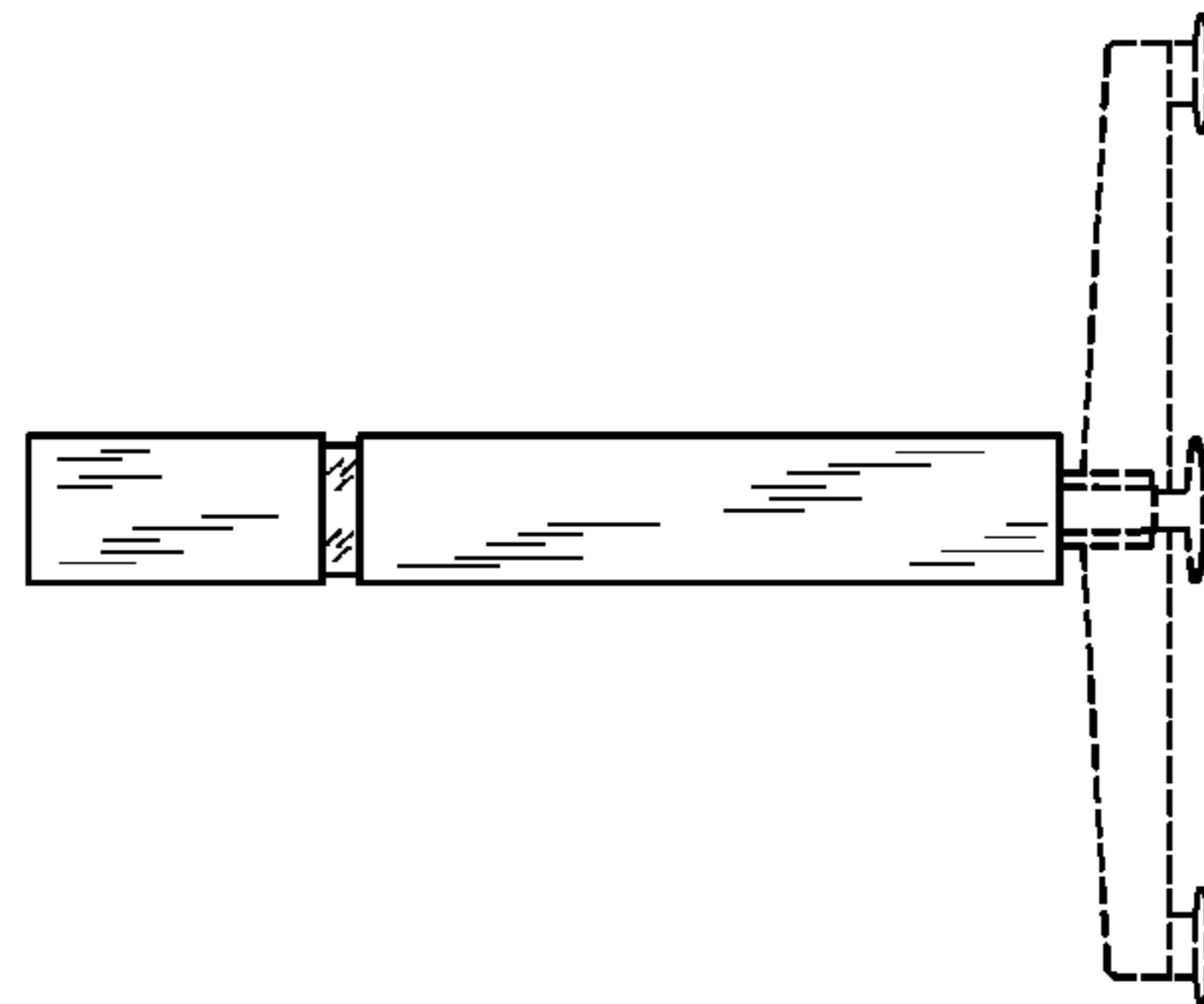


FIG. 5

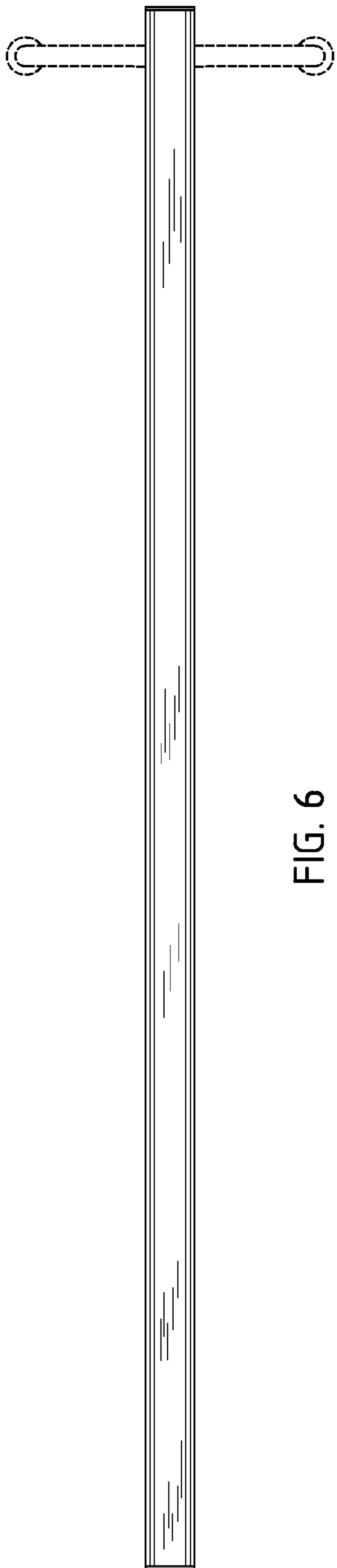


FIG. 6

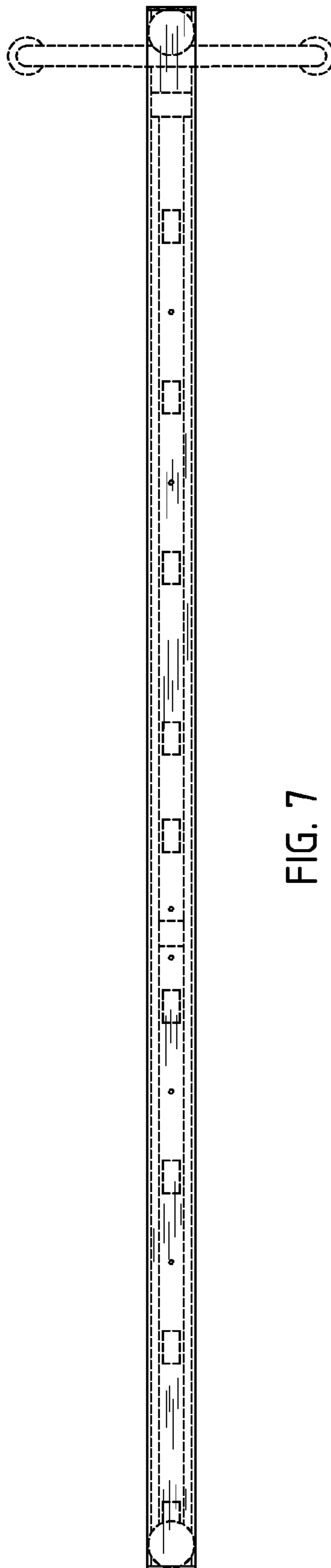


FIG. 7