



US00D603972S

(12) **United States Design Patent**
Petersen et al.

(10) **Patent No.:** **US D603,972 S**

(45) **Date of Patent:** **** Nov. 10, 2009**

(54) **DIAGNOSTIC INSTRUMENT**

(75) Inventors: **Hans Petersen**, Cambridge (GB);
Andrew Russell, Cambridge (GB)

(73) Assignee: **Enigma Diagnostics Limited**, Wiltshire (GB)

(**) Term: **14 Years**

(21) Appl. No.: **29/306,786**

(22) Filed: **Apr. 16, 2008**

(51) **LOC (9) Cl.** **24-01**

(52) **U.S. Cl.** **D24/216**

(58) **Field of Classification Search** D24/216-226,
D24/169, 186, 232; D10/81; 422/50, 56,
422/58, 61, 62, 63, 69, 99, 102; 436/65,
436/66; D9/429

See application file for complete search history.

(56) **References Cited**

U.S. PATENT DOCUMENTS

- D375,555 S * 11/1996 Savage et al. D24/169
- D467,349 S * 12/2002 Niedbala et al. D24/232
- D474,279 S * 5/2003 Mayer et al. D24/232
- D489,816 S * 5/2004 Ross D24/186

- D493,232 S * 7/2004 Wohlstadter et al. D24/216
- D516,221 S * 2/2006 Wohlstadter et al. D24/216
- 7,425,304 B2 * 9/2008 de Gheldere et al. 422/102
- D581,823 S * 12/2008 Mori et al. D24/186

* cited by examiner

Primary Examiner—T. Chase Nelson

Assistant Examiner—Anhdao Doan

(74) *Attorney, Agent, or Firm*—Brian B. Diekhoff; Polsinelli Shughart PC

(57) **CLAIM**

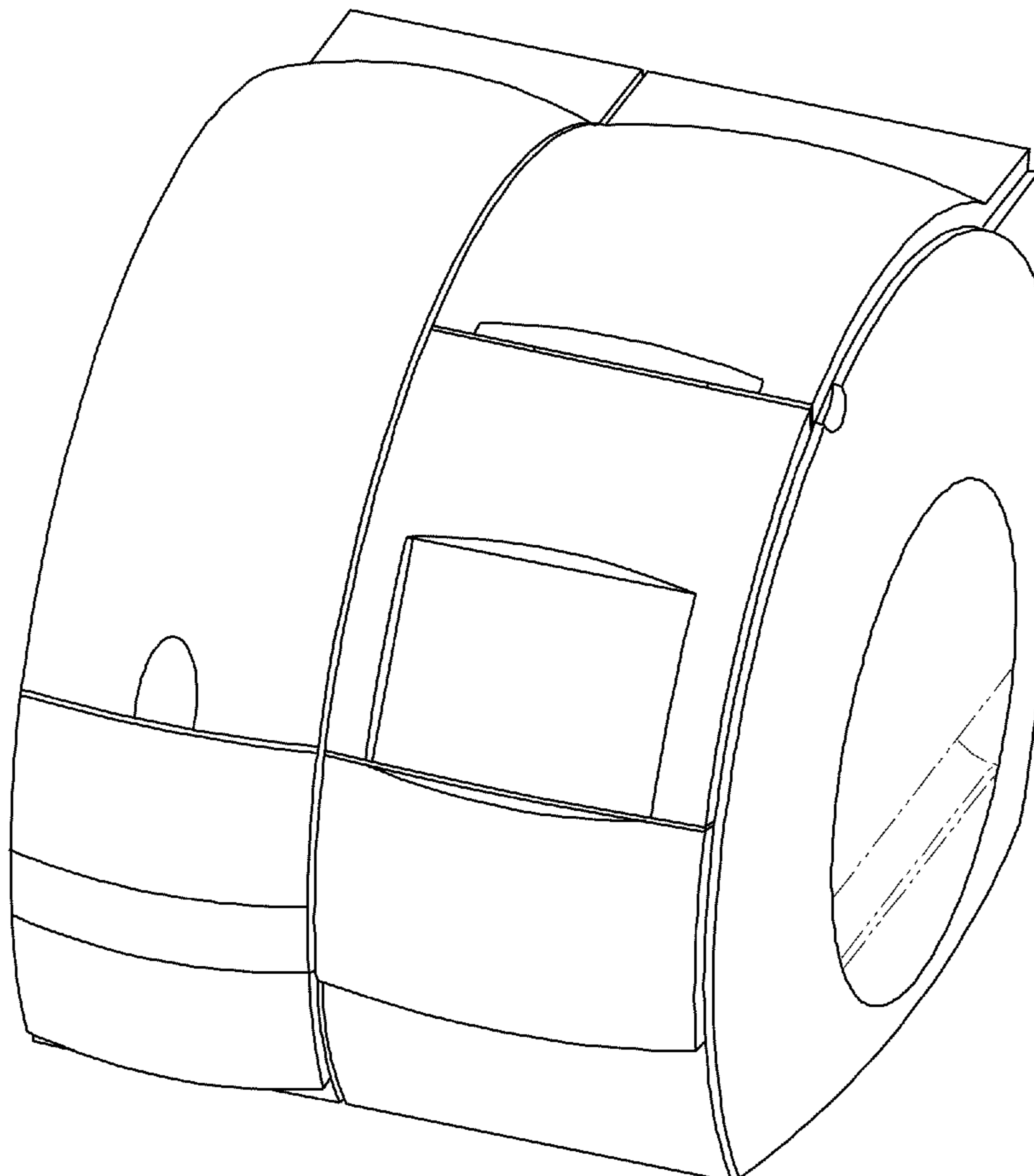
The ornamental design for a diagnostic instrument, as shown and described.

DESCRIPTION

FIG. 1 is a front perspective view of a Diagnostic Instrument; FIG. 2 is a rear perspective view thereof; FIG. 3 is a top view thereof; FIG. 4 is a side view thereof; and, FIG. 5 is another side view thereof.

The broken lines in FIGS. 1, 2, 4, and 5 are included for the purpose of illustrating portions of the diagnostic instrument that form no part of the claimed design.

1 Claim, 5 Drawing Sheets



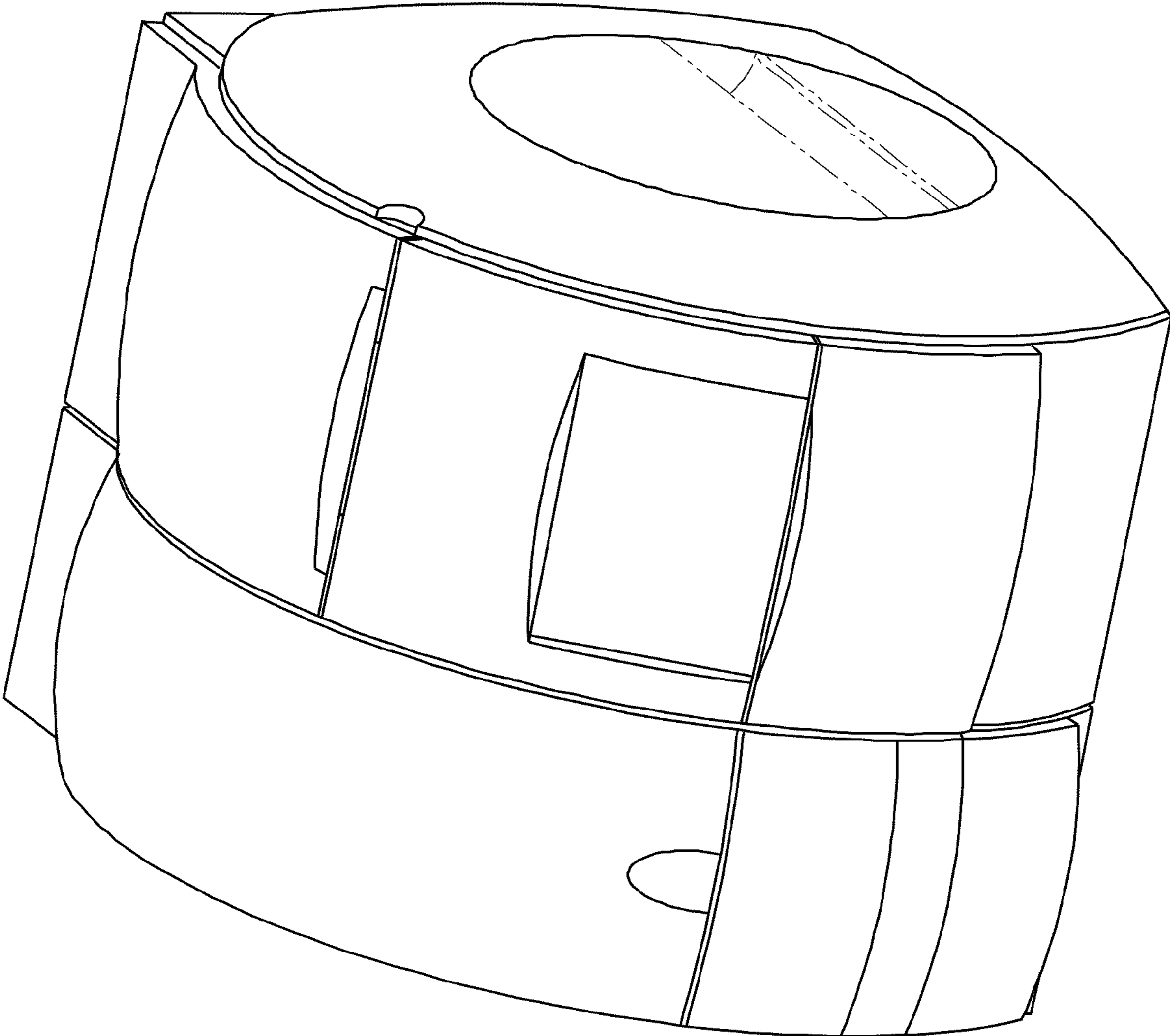


FIG. 1

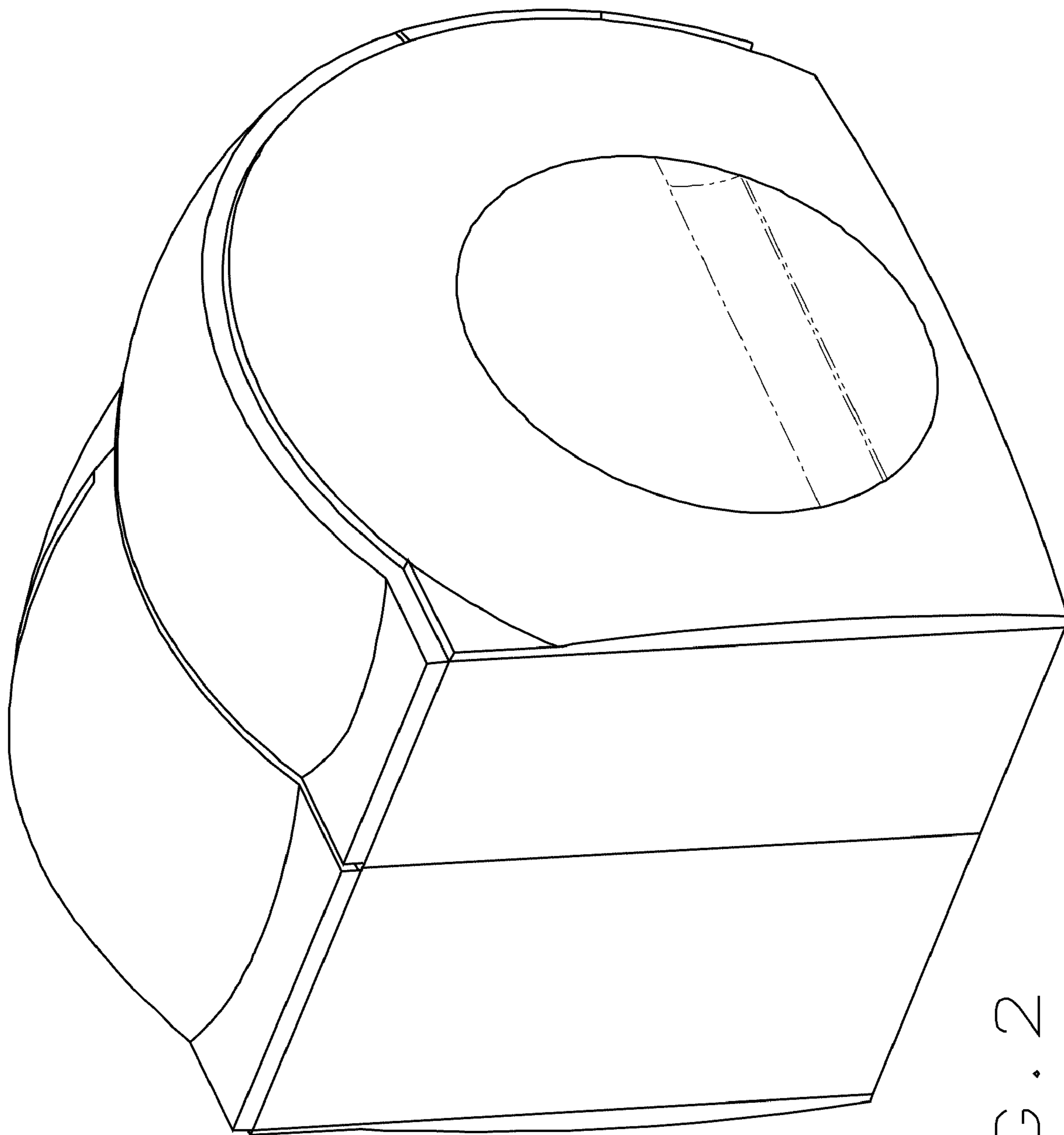


FIG. 2

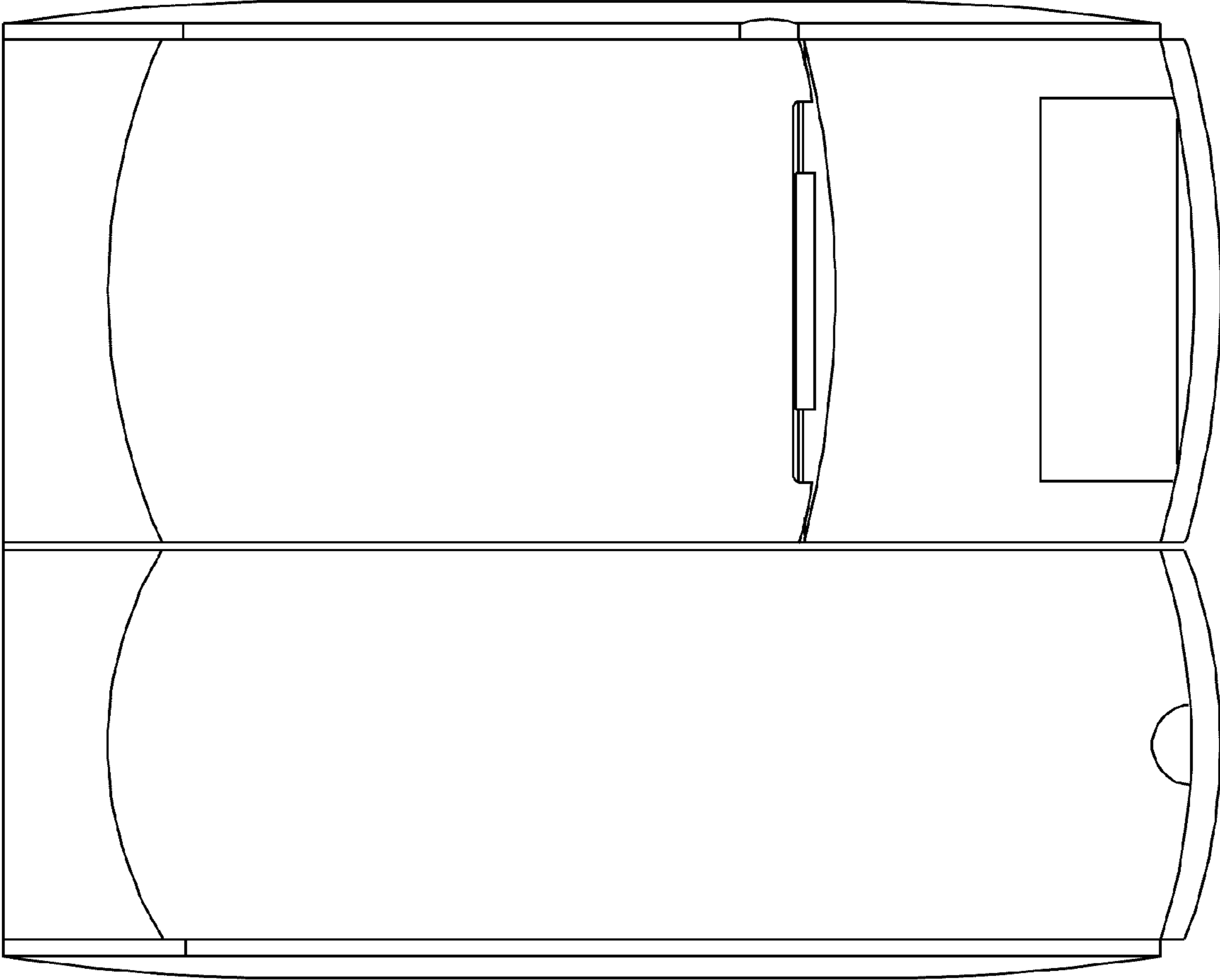


FIG. 3

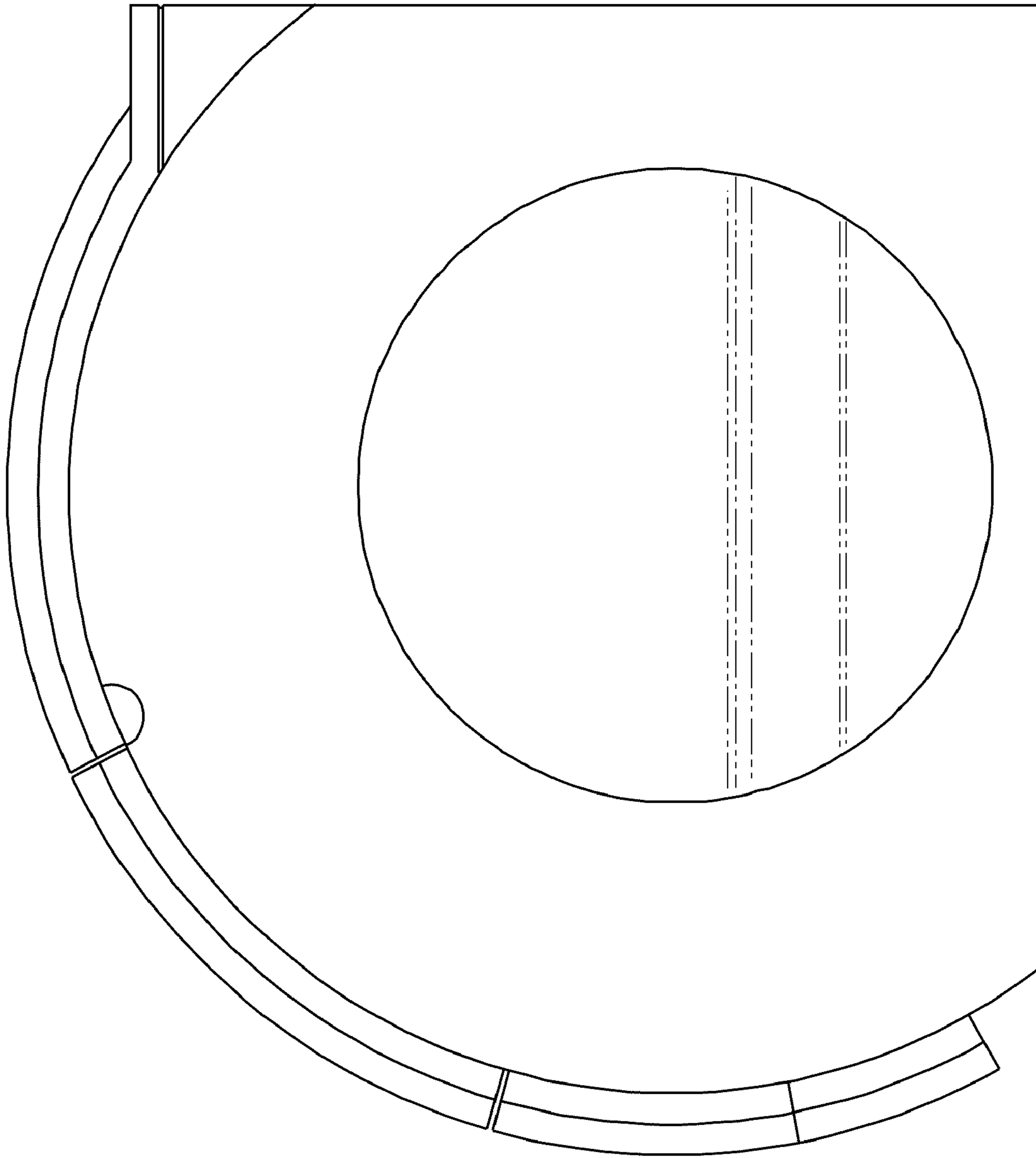


FIG. 4

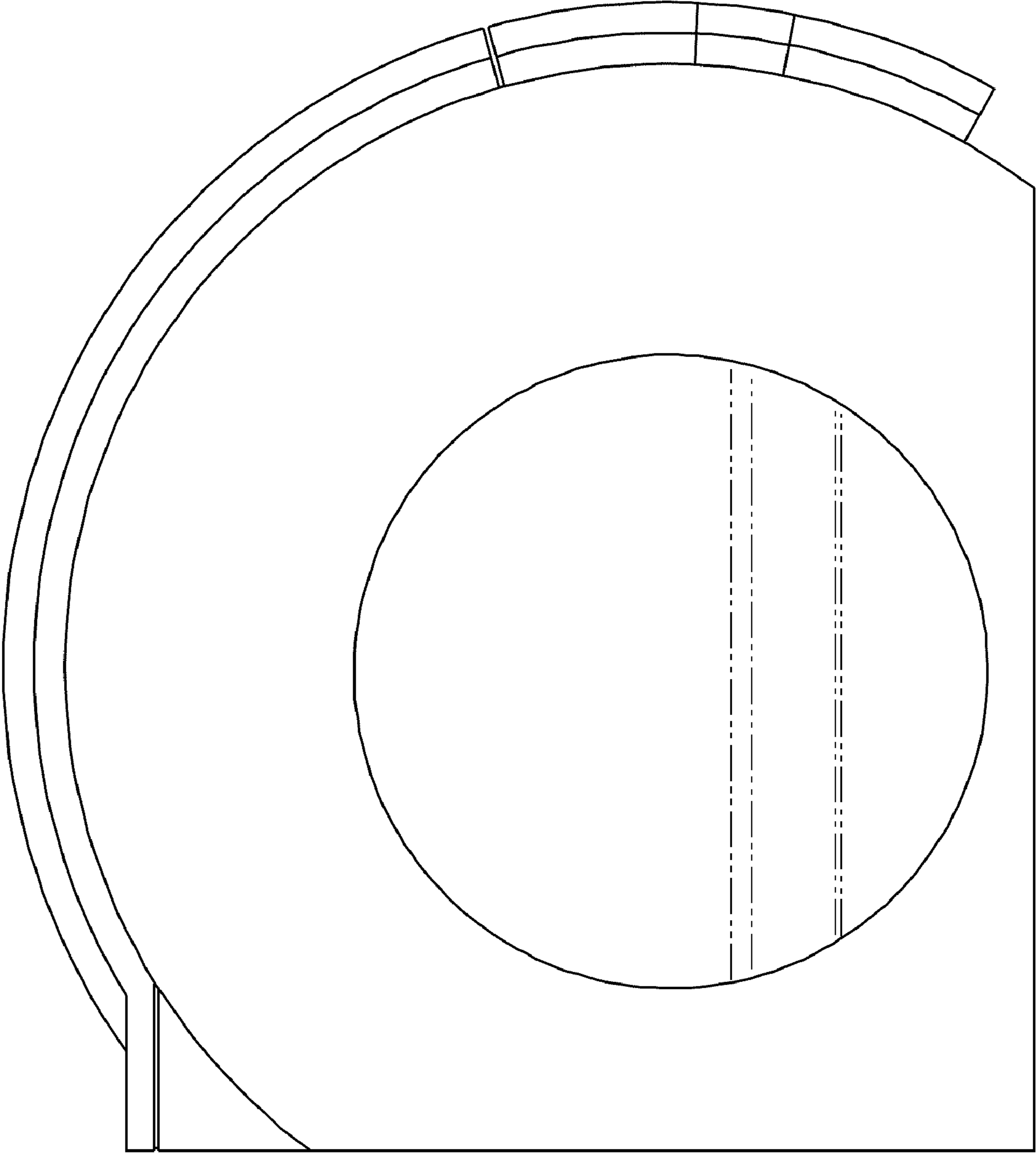


FIG. 5