



US00D603971S

(12) **United States Design Patent**
Gonzales et al.

(10) **Patent No.:** **US D603,971 S**
(45) **Date of Patent:** **** Nov. 10, 2009**

(54) **ELECTRONIC THERAPY DEVICE**

D597,214 S * 7/2009 Savage et al. D24/209

(75) Inventors: **Charles A. Gonzales**, Westminster, CO (US); **Ynacio Mascarenas**, Brighton, CO (US); **Donald A. Demma**, Lone Tree, CO (US); **Gary Edward Thomas**, Parker, CO (US)

* cited by examiner

Primary Examiner—Cathron C Brooks
Assistant Examiner—Melanie Levy
(74) *Attorney, Agent, or Firm*—Shewchuk IP Services, LLC; Jeffrey D. Shewchuk

(73) Assignee: **ARP Manufacturing, LLC**, Centennial, CO (US)

(57) **CLAIM**

(**) Term: **14 Years**

The ornamental design for an electronic therapy device, as shown and described.

(21) Appl. No.: **29/335,308**

DESCRIPTION

(22) Filed: **Apr. 13, 2009**

FIG. 1 is a perspective view from above showing a first embodiment of an electronic therapy device in accordance with the present invention.

(51) **LOC (9) Cl.** **24-04**

(52) **U.S. Cl.** **D24/200**

(58) **Field of Classification Search** D24/186,
D24/200, 158, 169, 167, 165, 168; 601/15;
607/61, 50, 52, 103, 100; 600/9, 10, 11,
600/13, 595; D14/194–197

FIG. 2 is a front view showing the electronic therapy device of FIG. 1.

FIG. 3 is right side view of the electronic therapy device of FIGS. 1–2.

See application file for complete search history.

FIG. 4 is a left side view of the electronic therapy device of FIGS. 1–3.

(56) **References Cited**

U.S. PATENT DOCUMENTS

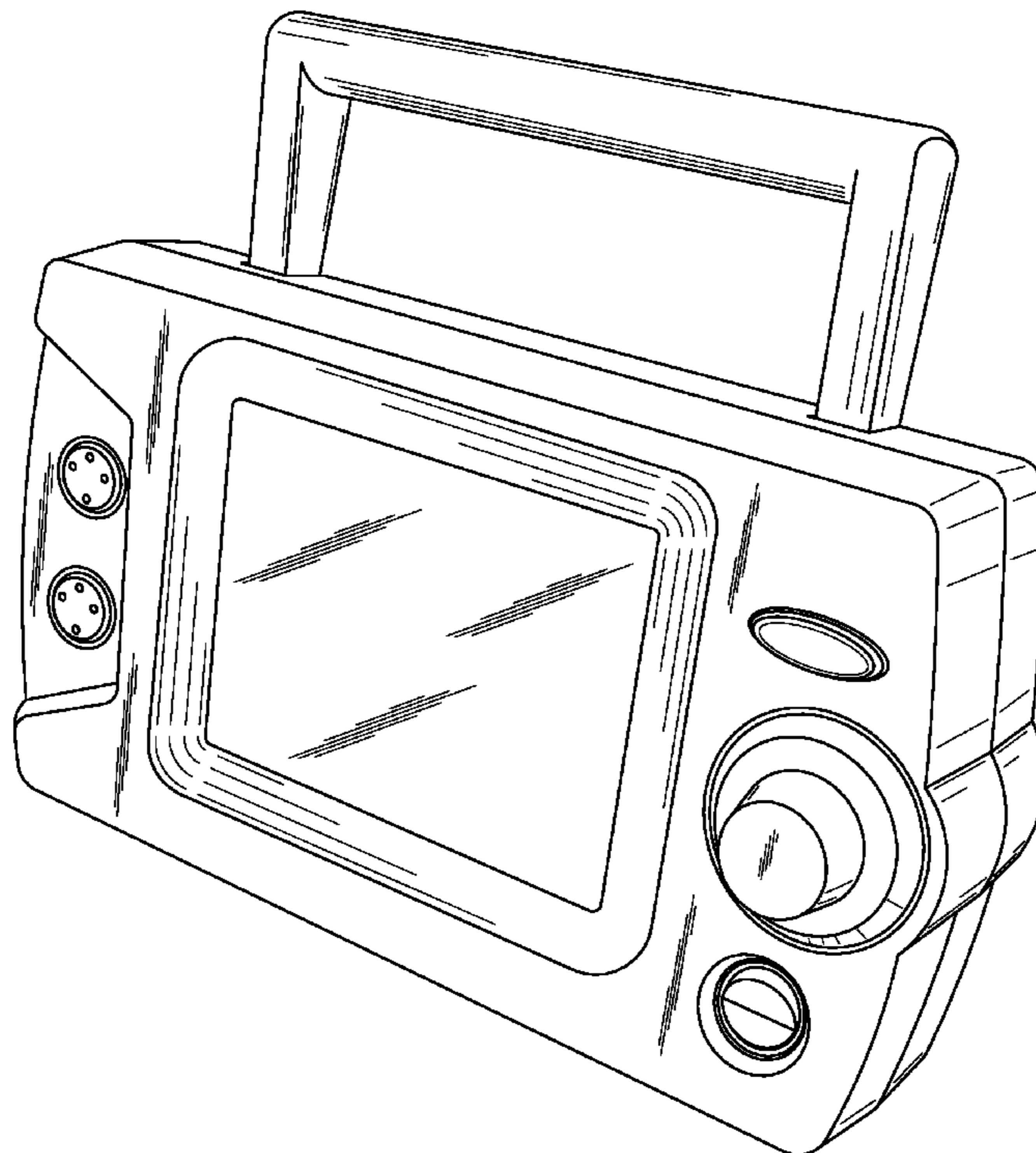
- D389,837 S * 1/1998 Summers et al. D14/194
- 6,468,199 B1 * 10/2002 Satou et al. 600/9
- D475,463 S * 6/2003 Leyde et al. D24/200
- D502,996 S * 3/2005 Guenther D24/200
- D508,998 S * 8/2005 Ryan D24/200
- D552,594 S * 10/2007 Bhavnani D14/196
- D593,684 S * 6/2009 Kapadya D24/200

FIG. 5 is a rear view of the electronic therapy device of FIGS. 1–4.

FIG. 6 is a top view of the electronic therapy device of FIGS. 1–5; and,

FIG. 7 is a bottom view of the electronic therapy device of FIGS. 1–6.

1 Claim, 6 Drawing Sheets



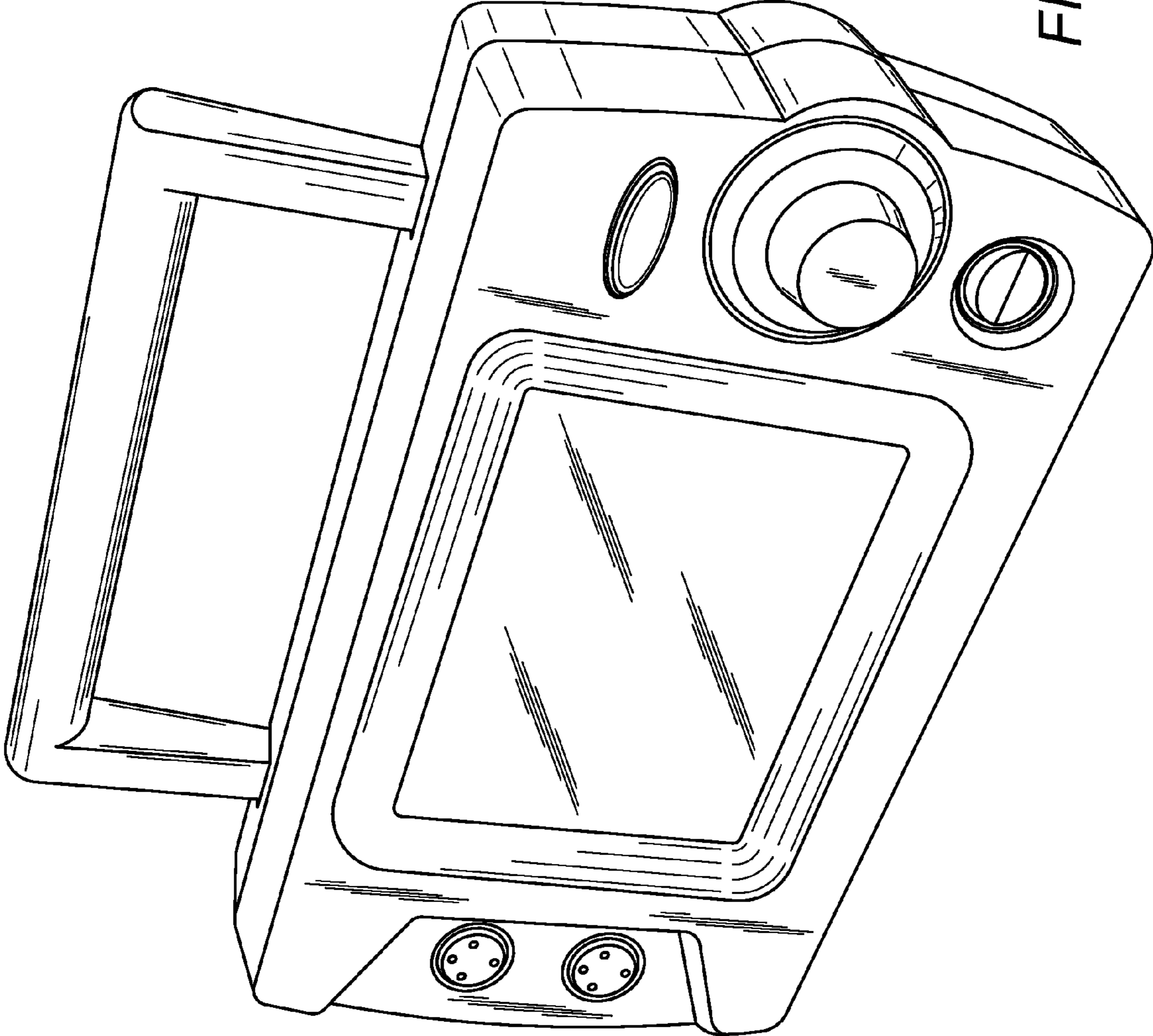


FIG. 1

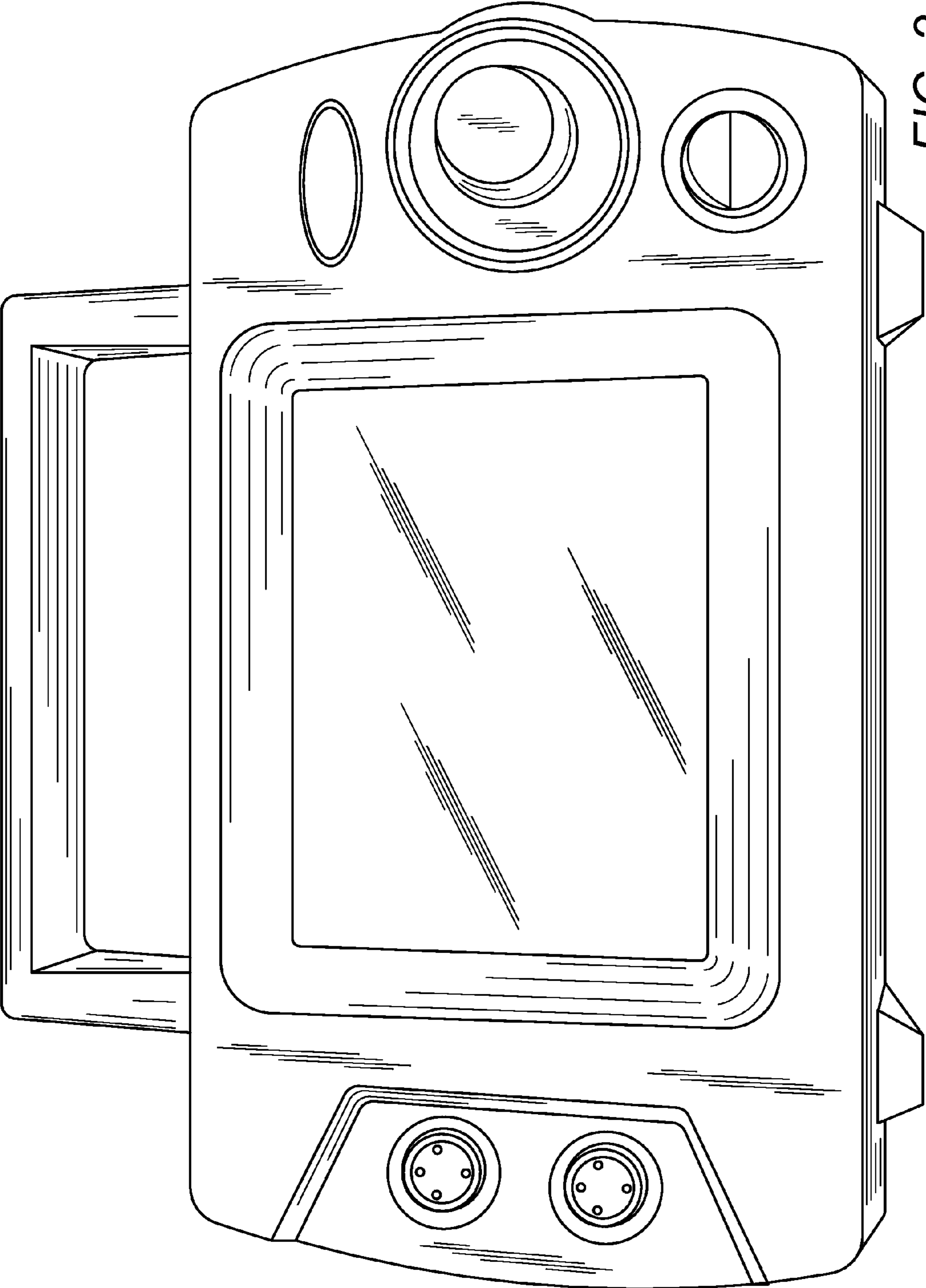


FIG. 2

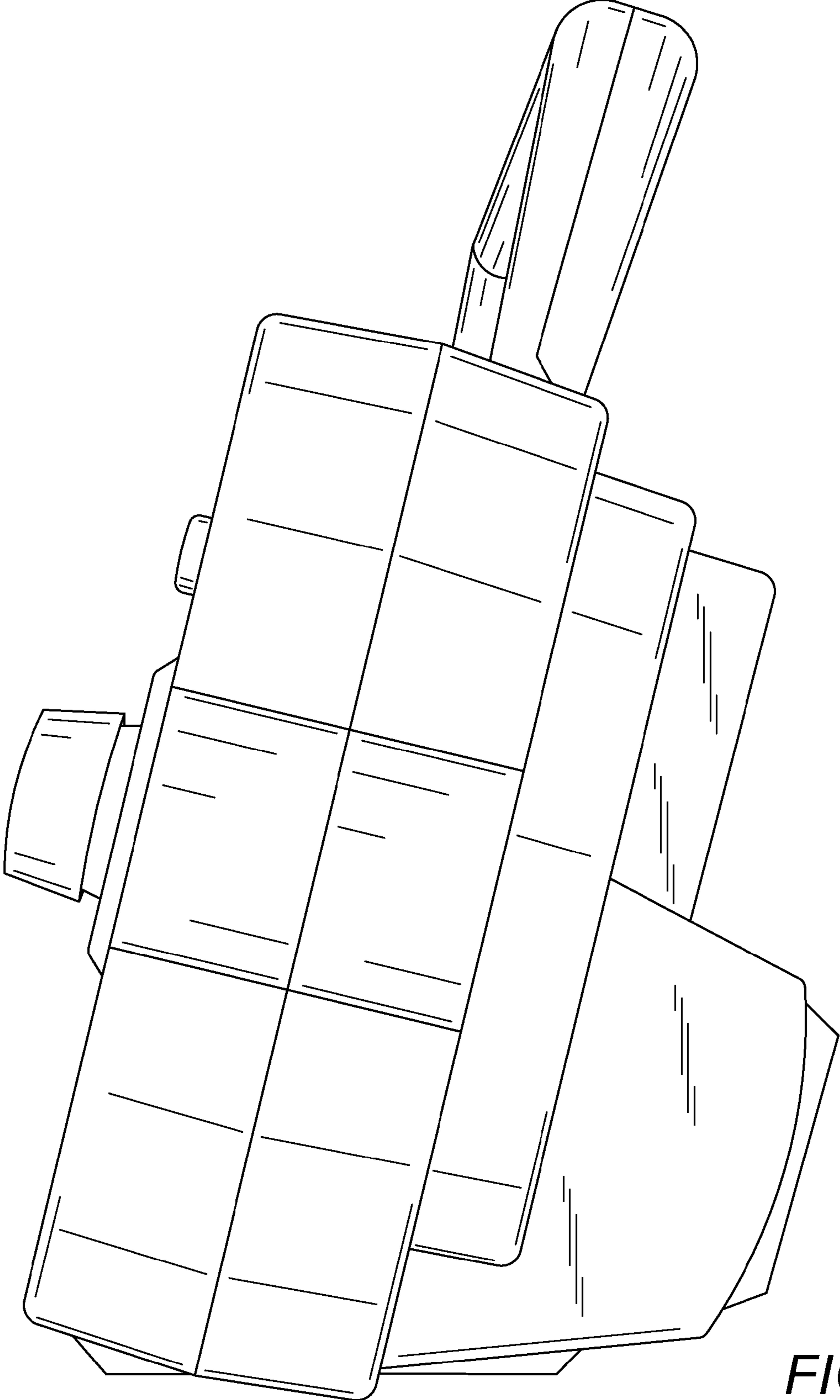


FIG. 3

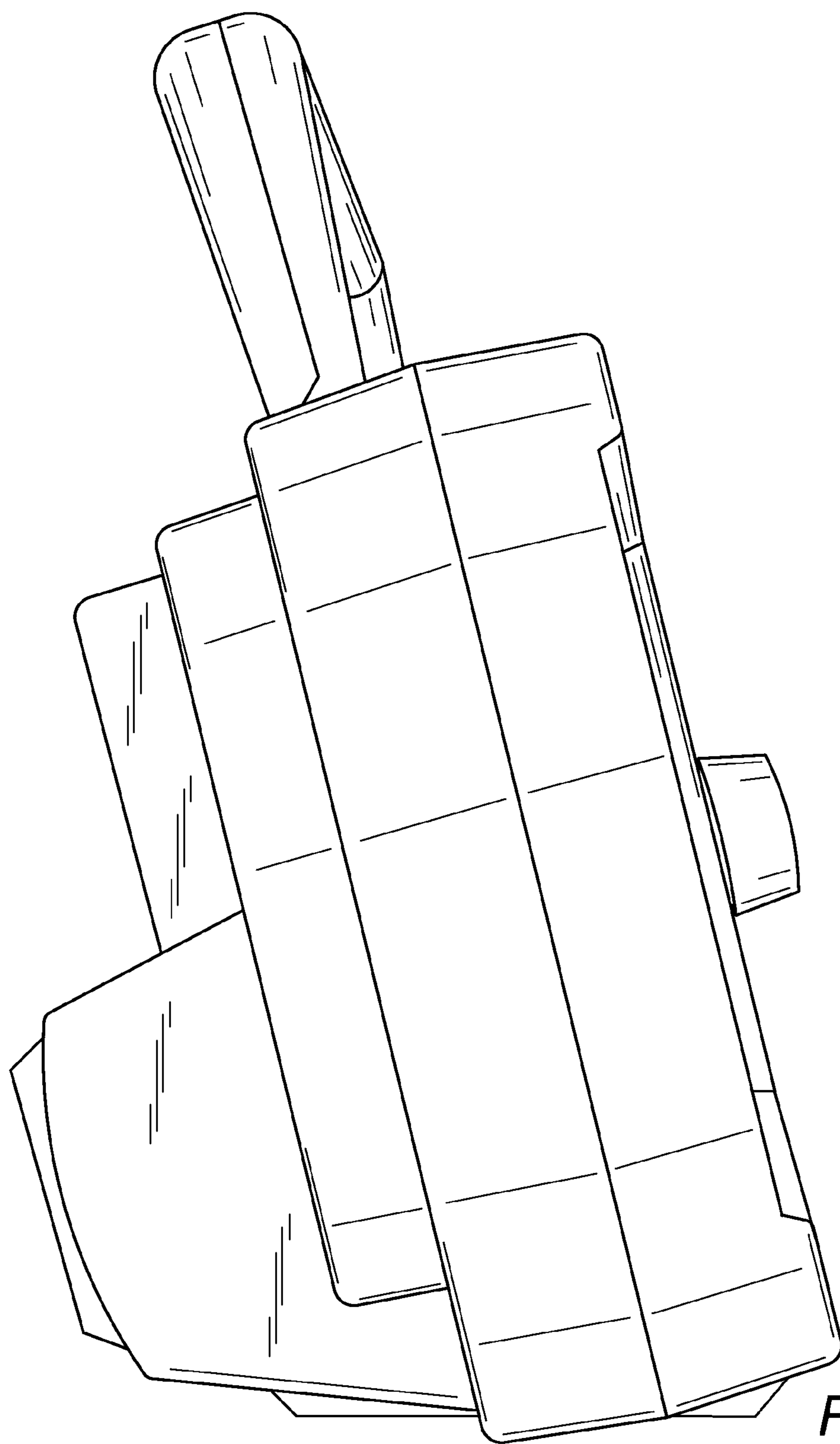


FIG. 4

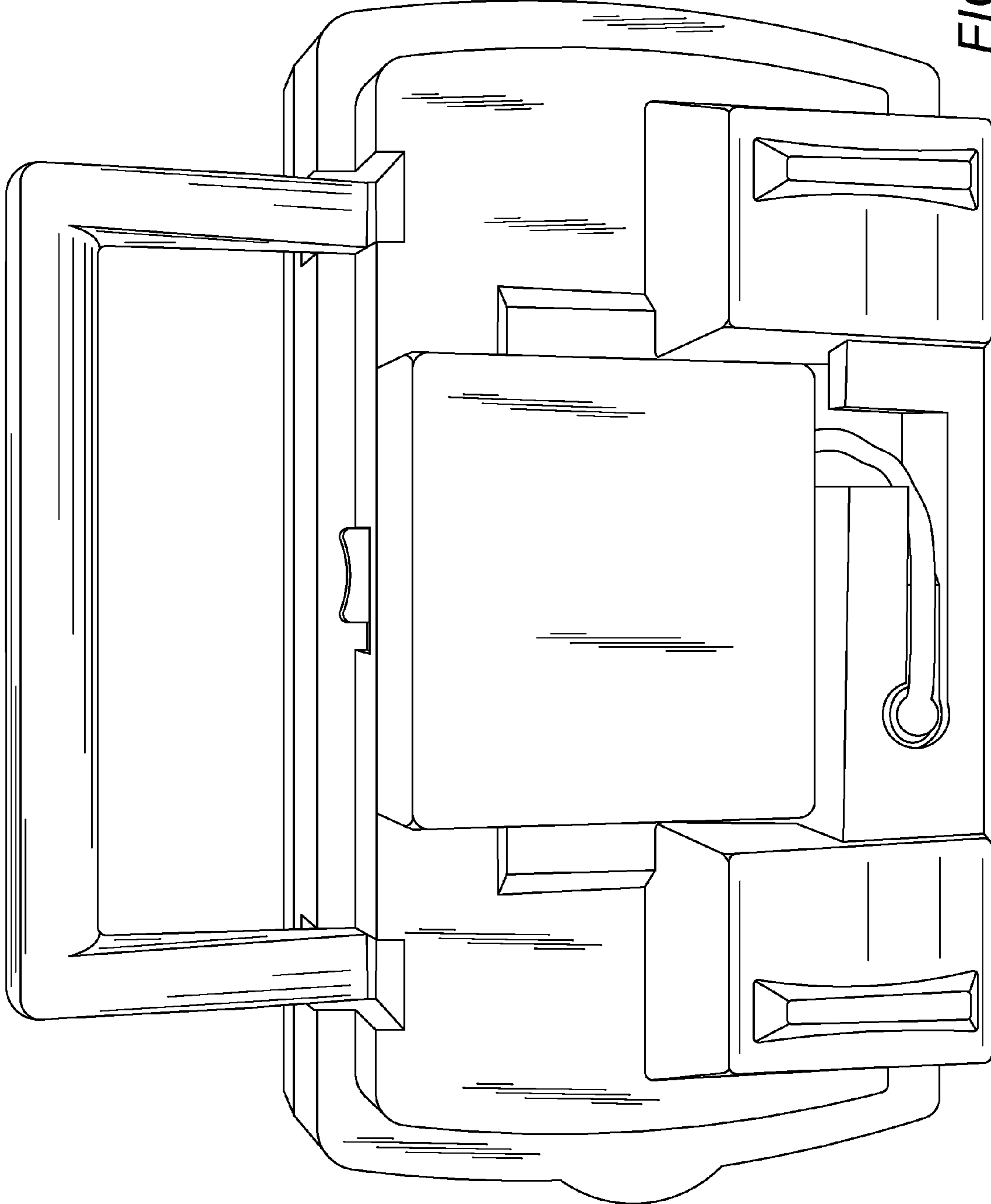


FIG. 5

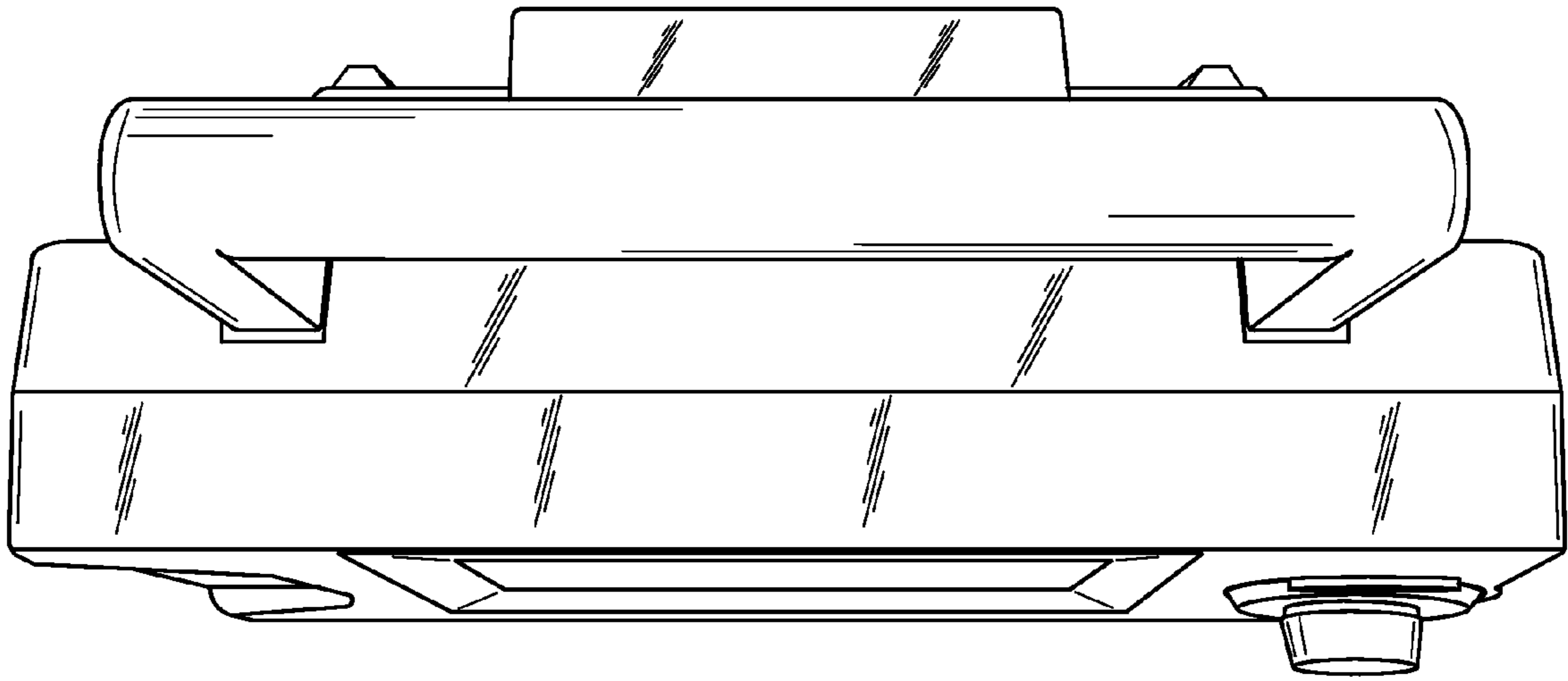


FIG. 6

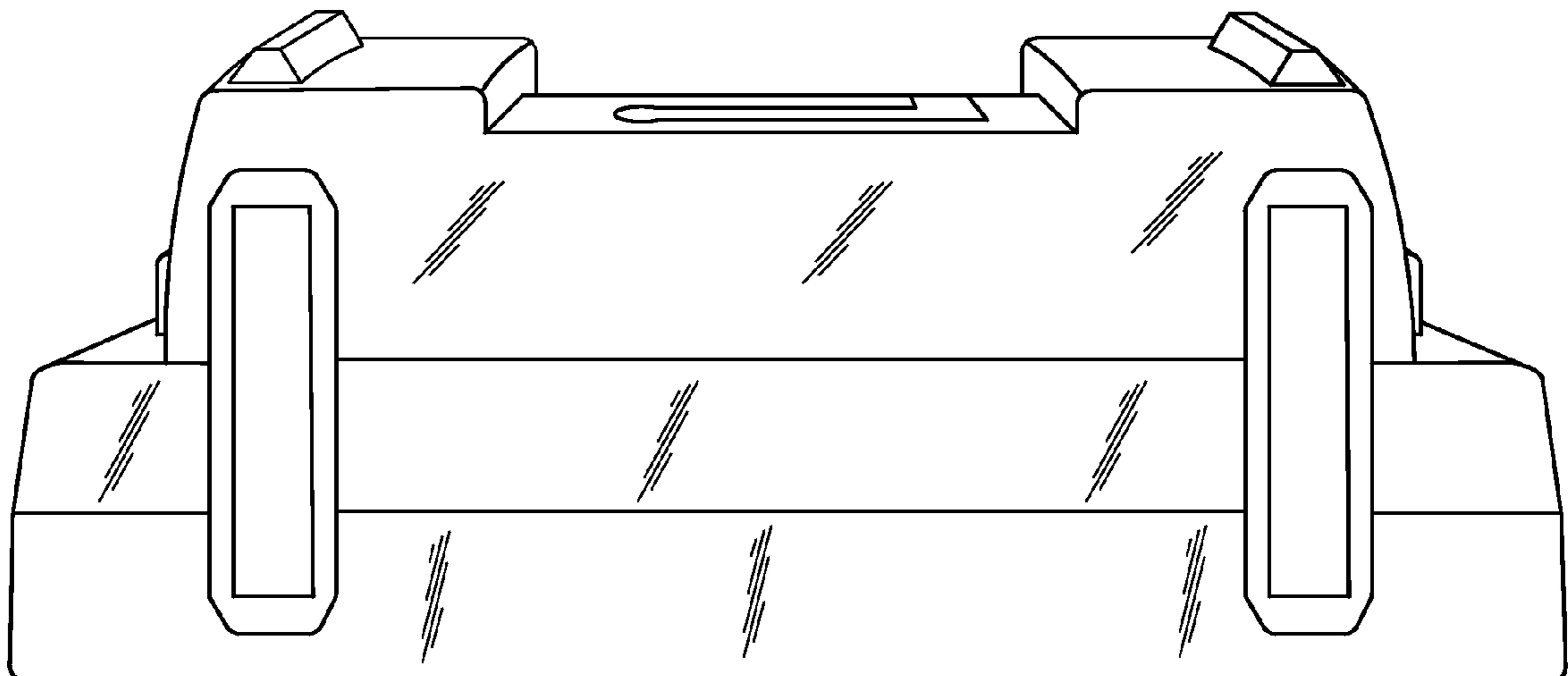


FIG. 7