



US00D603967S

(12) **United States Design Patent**
Berry et al.

(10) **Patent No.:** **US D603,967 S**
(45) **Date of Patent:** **** Nov. 10, 2009**

(54) **SURGICAL HEAD SUPPORT ADAPTER**

(75) Inventors: **Joel L. Berry**, Winston-Salem, NC (US);
John E. Reynolds, Winston-Salem, NC
(US); **Charles L. Branch, Jr.**, Advance,
NC (US)

(73) Assignee: **Wake Forest University Health
Sciences**, Winston-Salem, NC (US)

(**) Term: **14 Years**

(21) Appl. No.: **29/299,307**

(22) Filed: **Dec. 21, 2007**

(51) **LOC (9) Cl.** **24-01**

(52) **U.S. Cl.** **D24/184**

(58) **Field of Classification Search** D24/183–185,
D24/159, 133, 110.4, 110.5, 143, 140, 190,
D24/231; D6/601; 5/621–622, 636–638,
5/640–641; 248/118; 606/130, 501; D8/349,
D8/380

See application file for complete search history.

6,276,012	B2 *	8/2001	Borders	5/638
6,306,146	B1	10/2001	Dinkler		
6,315,783	B1 *	11/2001	Katz et al.	606/130
D456,510	S *	4/2002	Spetzler et al.	D24/143
6,490,737	B1	12/2002	Mazzei et al.		
6,594,839	B1 *	7/2003	Papay	5/637
6,656,143	B2	12/2003	Browd		
6,758,447	B2 *	7/2004	Tinsley	248/118
D497,430	S *	10/2004	Tinsley	D24/184
6,813,788	B2	11/2004	Dinkler et al.		
D519,207	S *	4/2006	Raje et al.	D24/110.5
D530,427	S *	10/2006	LaRocca	D24/190
7,117,551	B1	10/2006	Dinkler, II et al.		
D533,278	S *	12/2006	Luginbuhl et al.	D24/159
D535,030	S *	1/2007	Brefka et al.	D24/184
7,166,113	B2 *	1/2007	Arambula et al.	606/130
D539,572	S *	4/2007	Nguyen	D6/501
D552,243	S *	10/2007	Yoshida	D24/183
D561,341	S *	2/2008	Riley	D24/184
7,424,759	B2 *	9/2008	Damron	5/641
7,451,507	B2 *	11/2008	Brinkerhoff et al.	5/637
D583,178	S *	12/2008	Blunston	D6/601
7,520,007	B2 *	4/2009	Skripps	5/621
7,544,007	B2 *	6/2009	Easton	5/622
2005/0066444	A1	3/2005	Mazzei et al.		

(56) **References Cited**

U.S. PATENT DOCUMENTS

3,188,079	A	6/1965	Boetcker et al.		
4,752,064	A	6/1988	Voss		
5,233,713	A *	8/1993	Murphy et al.	5/636
5,276,927	A *	1/1994	Day	5/622
D361,383	S *	8/1995	Lipson et al.	D24/183
5,483,961	A	1/1996	Kelly et al.		
D375,163	S *	10/1996	Lipson et al.	D24/183
5,560,728	A *	10/1996	McFadden	5/637
5,564,663	A	10/1996	Cook et al.		
D376,428	S *	12/1996	Lipson et al.	D24/183
D402,035	S *	12/1998	Sullenberger et al.	D24/184
D402,370	S *	12/1998	Sullenberger et al.	D24/159
D406,347	S *	3/1999	Sullenberger et al.	D24/184
5,984,930	A	11/1999	Maciunas et al.		
D427,688	S *	7/2000	Lab	D24/184
6,112,333	A	9/2000	Mazzei		
6,151,734	A *	11/2000	Lawrie	5/640
D443,355	S *	6/2001	Gunaratnam et al.	D24/110.4

OTHER PUBLICATIONS

“Protect the eyes of your prone positioned patient”;
Products—Anesthesia—Vital Signs, Inc.; pp. 1-2 http://www2.vital-signs.com/VSIHome/html/english/products/anesthesia/an_disposaview.a...

Integra Product—Mayfield Ultra Base Unit, <http://www.integra-ls.com/products/?product=166>.

Neurosurgery, Mayfield Headholder, <http://www.neurosurgerypa.com/glossary/mayfieldheadholder.html>.

Integra Product—Mayfield Ultra 360™ Patient Positioning System; <http://www.integra-ls.com/products/?product=282>.

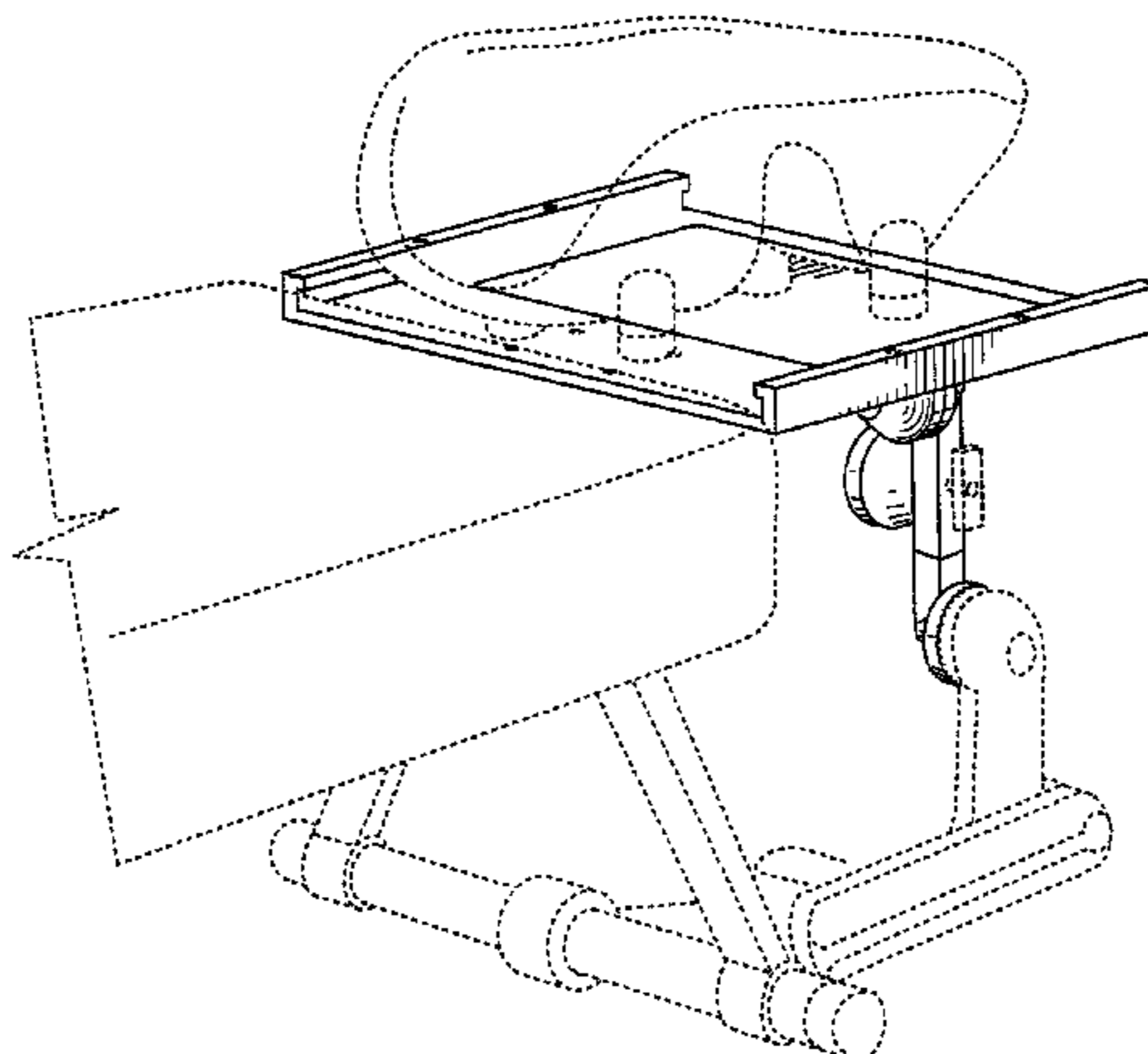
Integra Product—Mayfield Radiolucent Headrest System; <http://www.integra-ls.com/products/?product=237>.

Integra Product—Mayfield Infinity Support System; <http://www.integra-ls.com/products/?product=188>.

Integra Product—Mayfield Radiolucent Base Unit; <http://www.integra-ls.com/products/?product=168>.

Integra Product—Mayfield Universal Side Rail Fitting; <http://www.integra-ls.com/products/?product=173>.

Integra Product—Mayfield Tri-Star Swivel Adaptor; <http://www.integra-ls.com/products/?product=169>.



Dupaco; ProneView® Protective Helmet System; <http://www.dupacoin.com/product2.html>. A date of publication is not know. However, Applicants request that this document be considered prior art for purposes of this Information Disclosure Statement.

* cited by examiner

Primary Examiner—T. Chase Nelson

Assistant Examiner—Mark Cavanna

(74) *Attorney, Agent, or Firm*—Myers Bigel Sibley & Sajovec

(57) **CLAIM**

The ornamental design for a surgical head support adapter, as shown and described.

DESCRIPTION

FIG. 1 is a slightly reduced side perspective view of a surgical head support adapter in a contracted position showing our new design with a portion of a surgical operating table with a head support and rectangular clamp shown in broken lines;

FIG. 2 is another side perspective view of a surgical head support adapter with a rectangular clamp shown in broken lines;

FIG. 3 is the side perspective view shown in FIG. 2 of the surgical head support adapter with the lower support arm in an extended position and the rectangular clamp shown in broken lines;

FIG. 4 is the side perspective view shown in FIG. 2 of the surgical head support adapter with the lower support arm in an extended and rotated position and the rectangular clamp shown in broken lines;

FIG. 5 is a front view of the surgical head support adapter in a contracted position and the rectangular clamp shown in broken lines;

FIG. 6 is back view of the surgical head support adapter in a contracted position and the rectangular clamps shown in broken lines;

FIG. 7 is a side view of the surgical head support adapter in a contracted position and the rectangular clamp shown in broken lines;

FIG. 8 is an opposing side view of the surgical head support adapter in a contracted position and the rectangular clamps shown in broken lines;

FIG. 9 is a top view of the surgical head support adapter in a contracted position and the rectangular clamp shown in broken lines; and

FIG. 10 is a bottom of the surgical head support adapter in a contracted position and the rectangular clamps shown in broken lines.

FIG. 11 is a side perspective view of another embodiment of a surgical head support adapter in a contracted position and the rectangular clamp shown in broken lines;

FIG. 12 is a side perspective view of a surgical head support adapter shown with the lower support arm in an extended position and the rectangular clamp shown in broken lines;

FIG. 13 is a side perspective view of a surgical head support adapter shown with the lower support arm in an extended and rotated position;

FIG. 14 is a front view of a surgical head support adapter in a contracted position and the rectangular clamp shown in broken lines;

FIG. 15 is back view of a surgical head support adapter in a contracted position and the rectangular clamp shown in broken lines;

FIG. 16 is a side view of a surgical head support adapter in a contracted position and the rectangular clamp shown in broken lines;

FIG. 17 is an opposing side of a surgical head support adapter in a contracted position view and the rectangular clamp shown in broken lines;

FIG. 18 is a top view of a surgical head support adapter in a contracted position and the rectangular clamp shown in broken lines; and,

FIG. 19 is a bottom of a surgical head support adapter in a contracted position view and the rectangular clamp shown in broken lines.

The broken lines are included for the purpose of illustrating portions of the surgical head support adapter that forms no part of the claimed design. The broken line arrows in FIGS. 3, 4, 12, and 13 are for the purpose of showing the direction of movement in alternate positions, and also form no part of the claimed design.

1 Claim, 11 Drawing Sheets

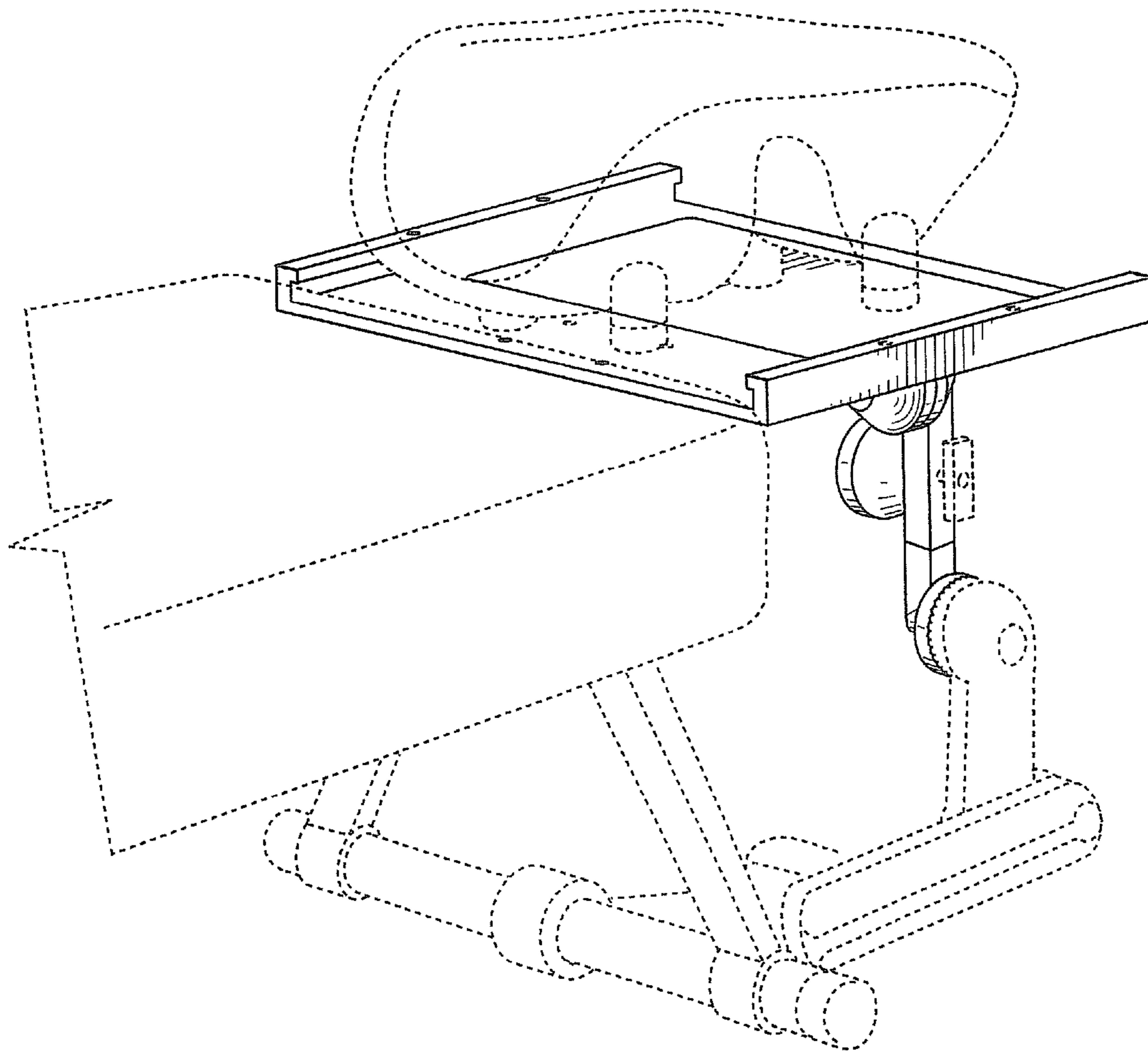


FIG. 1

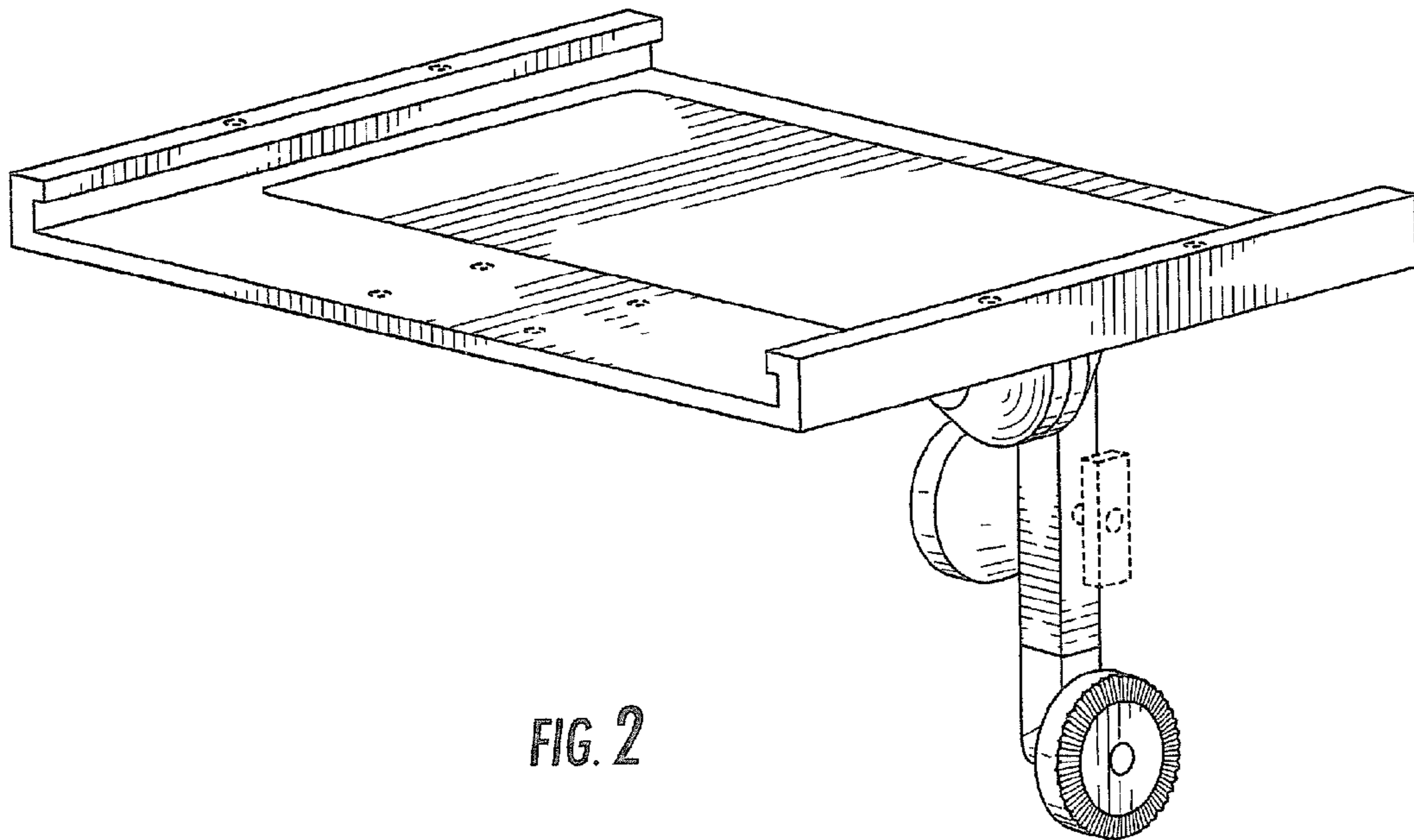
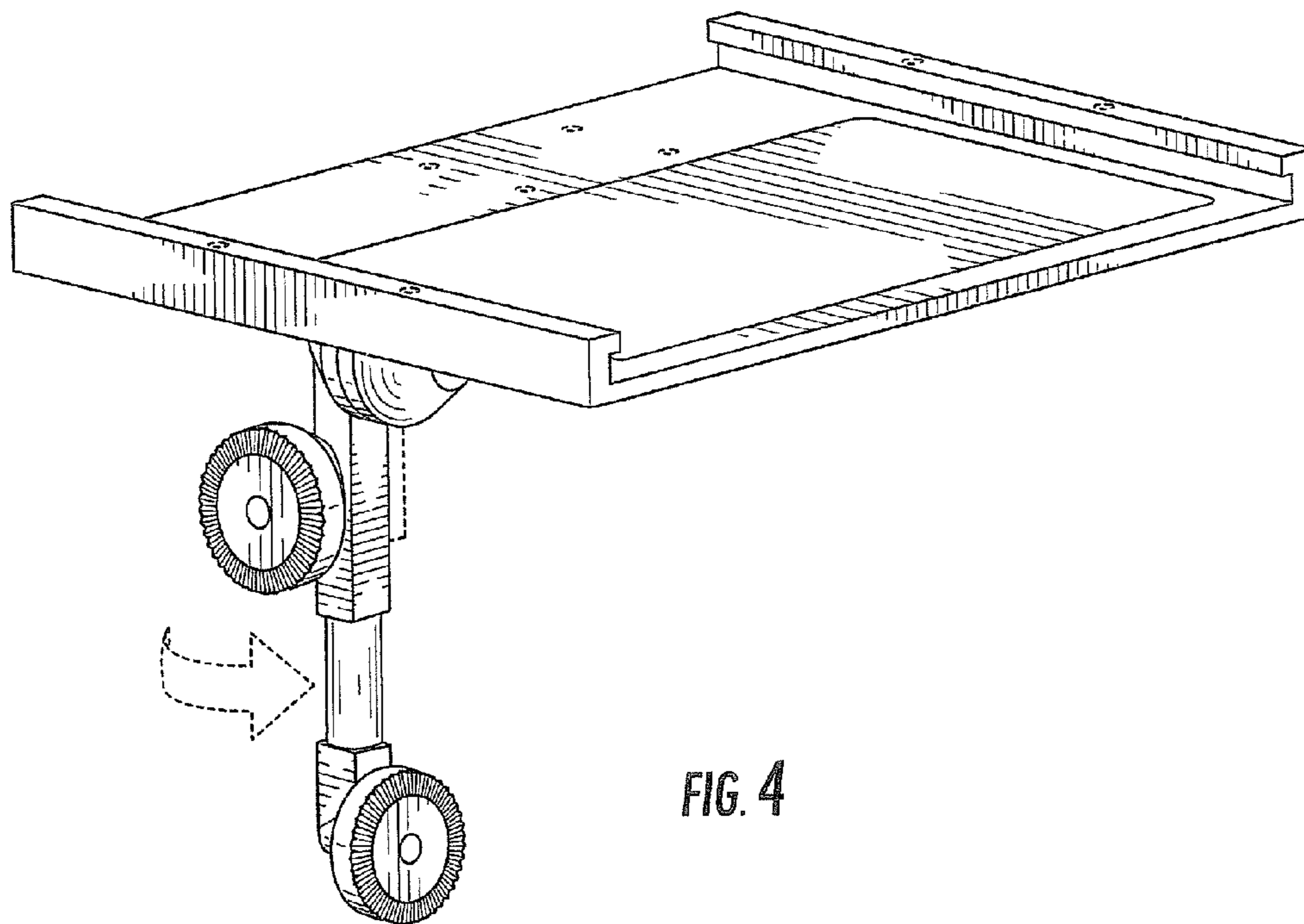
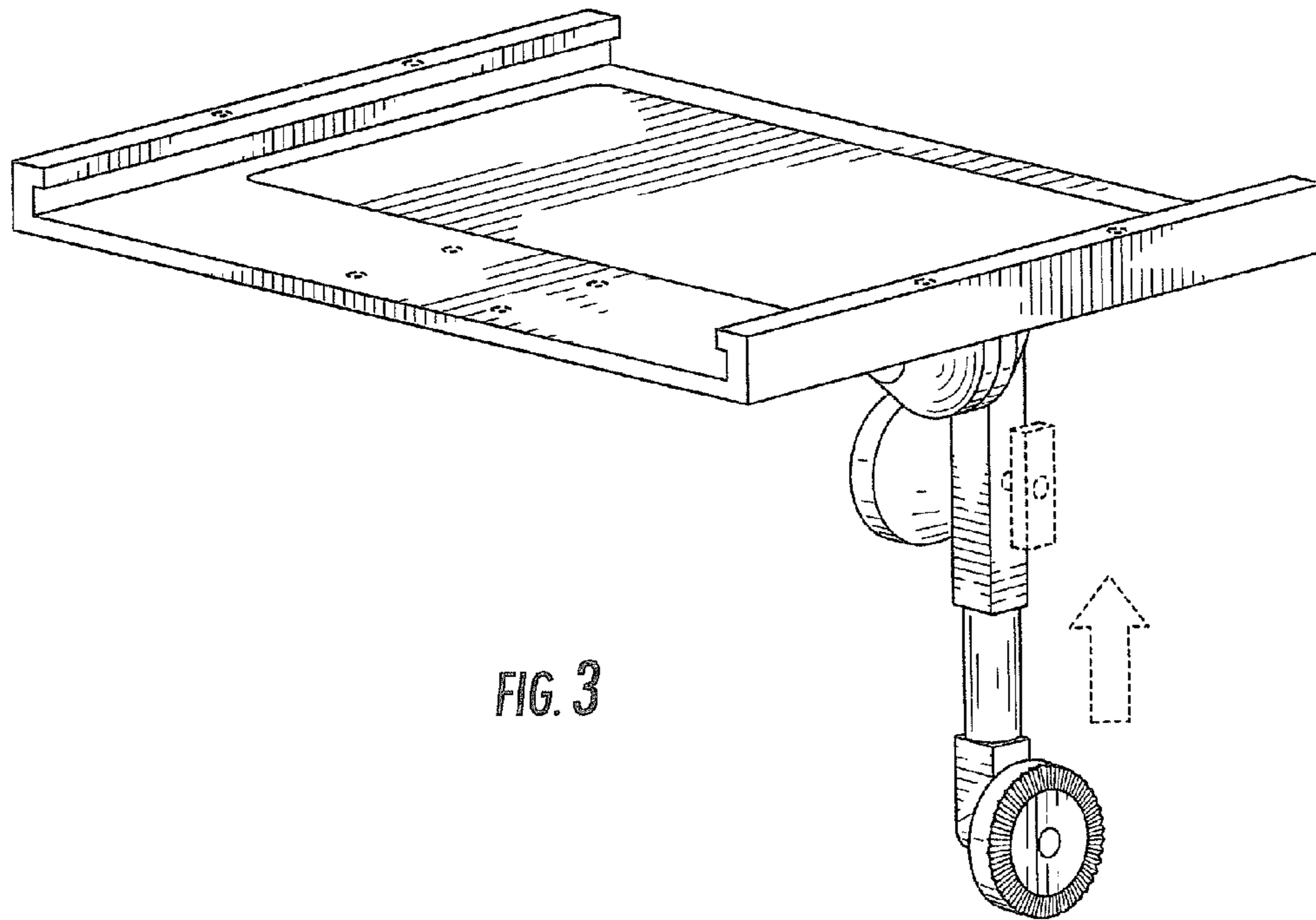
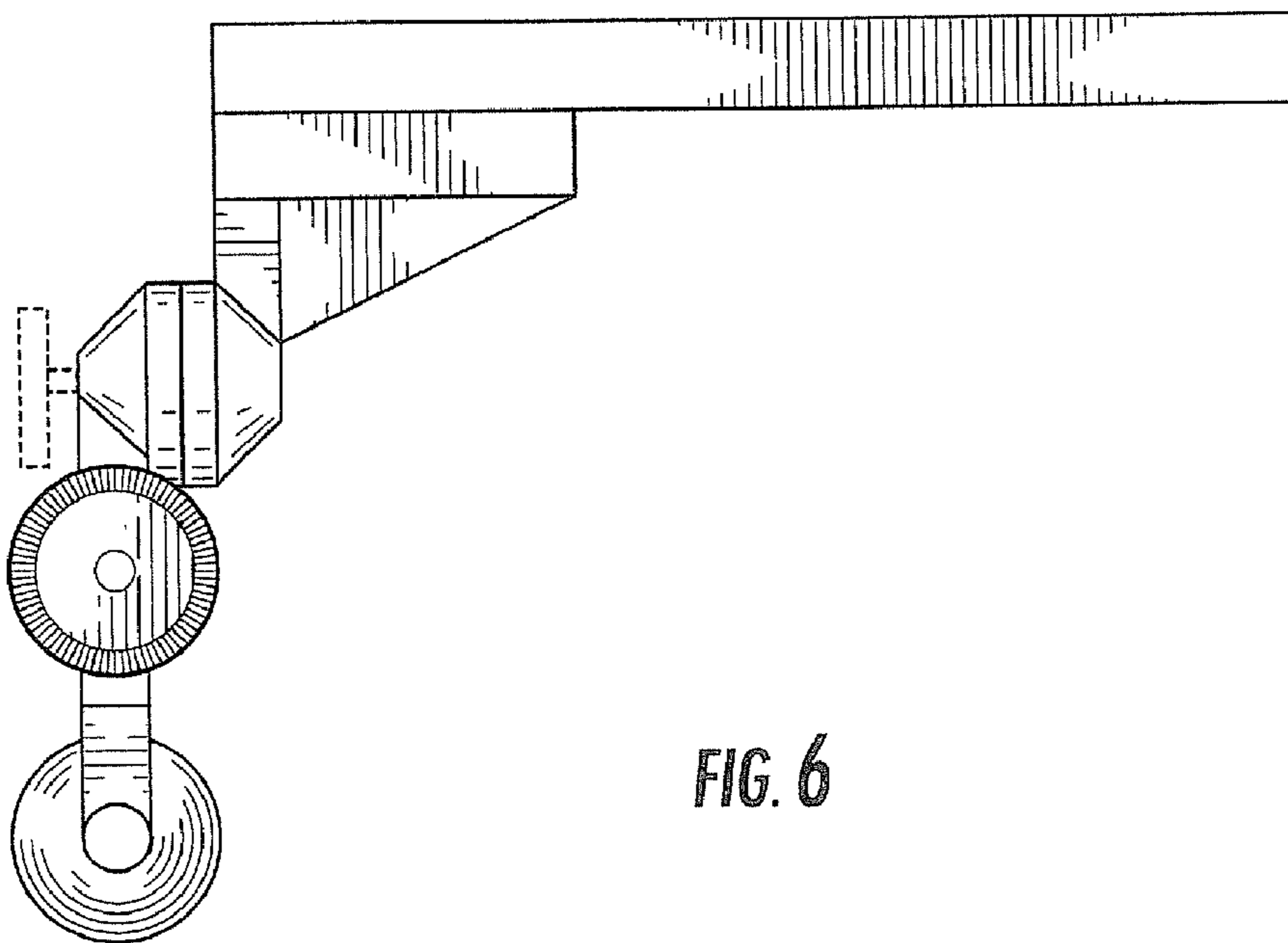
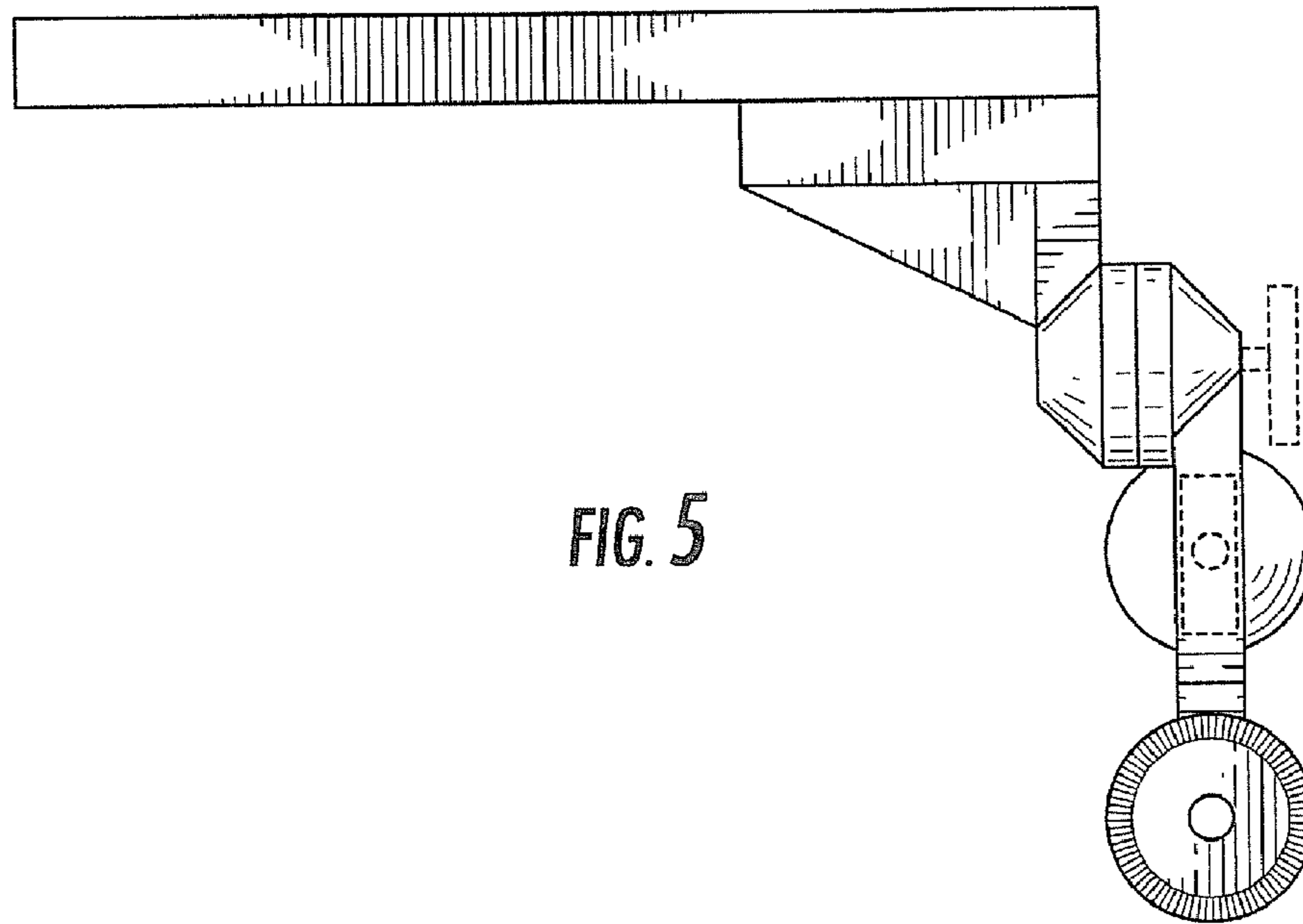


FIG. 2





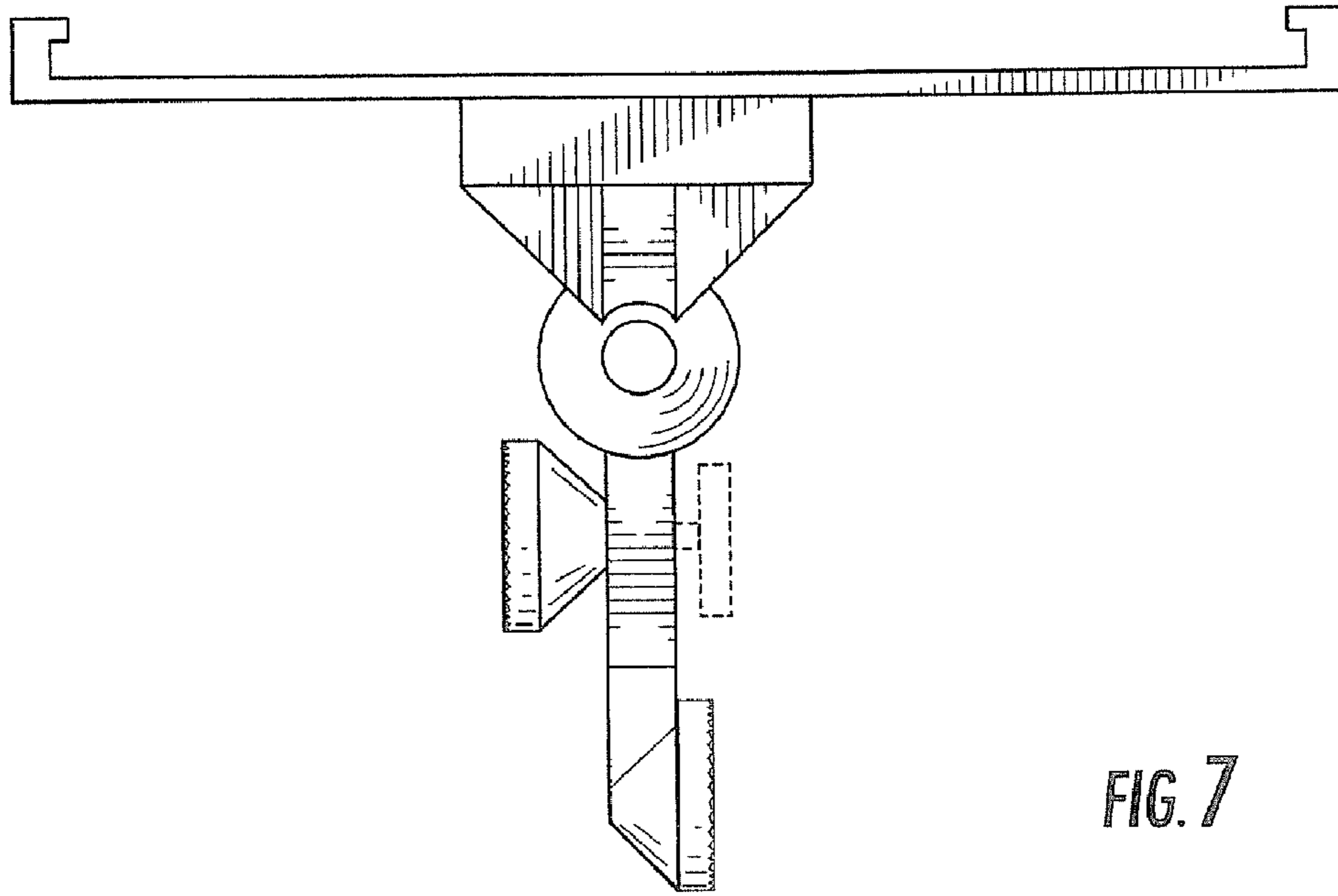


FIG. 7

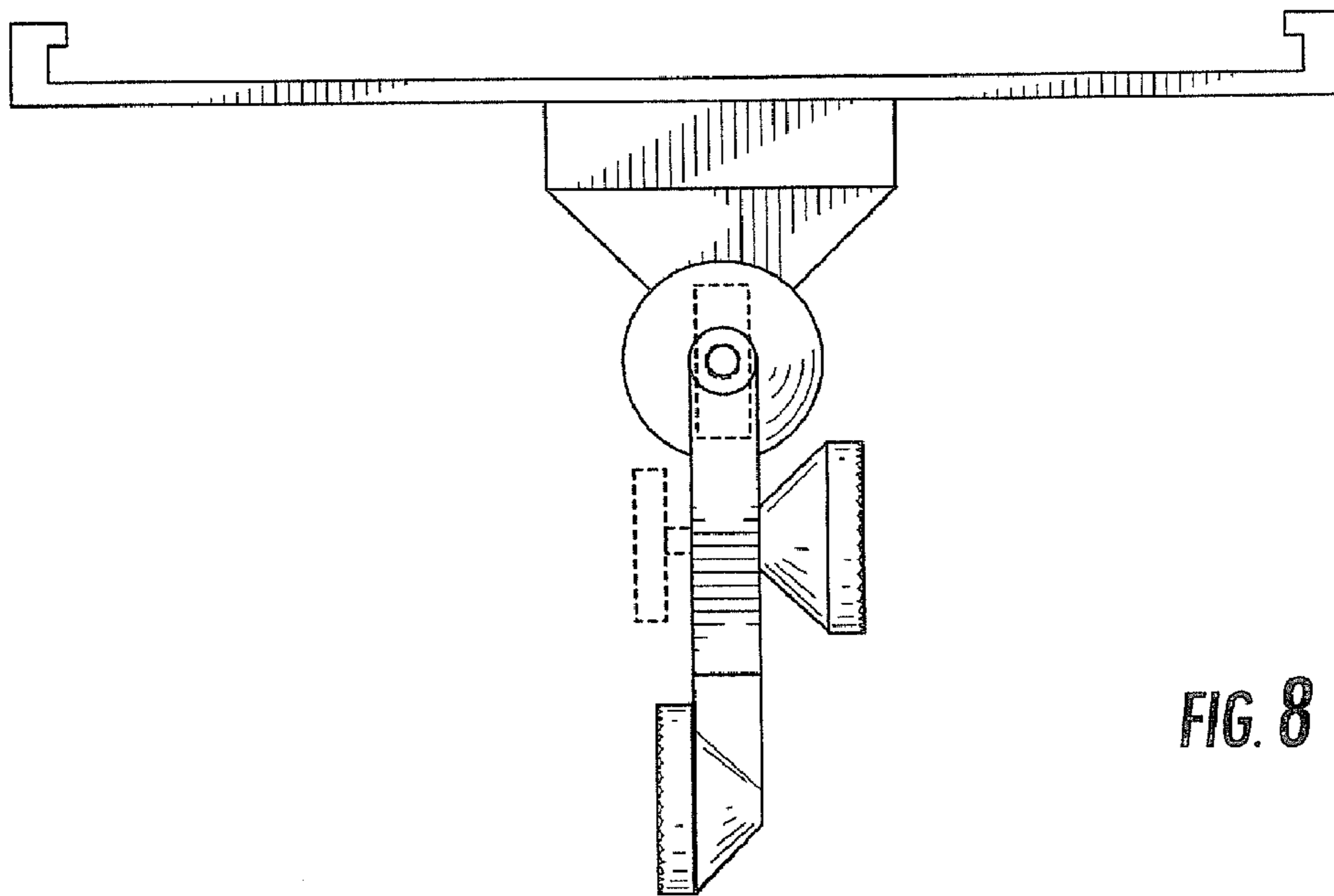
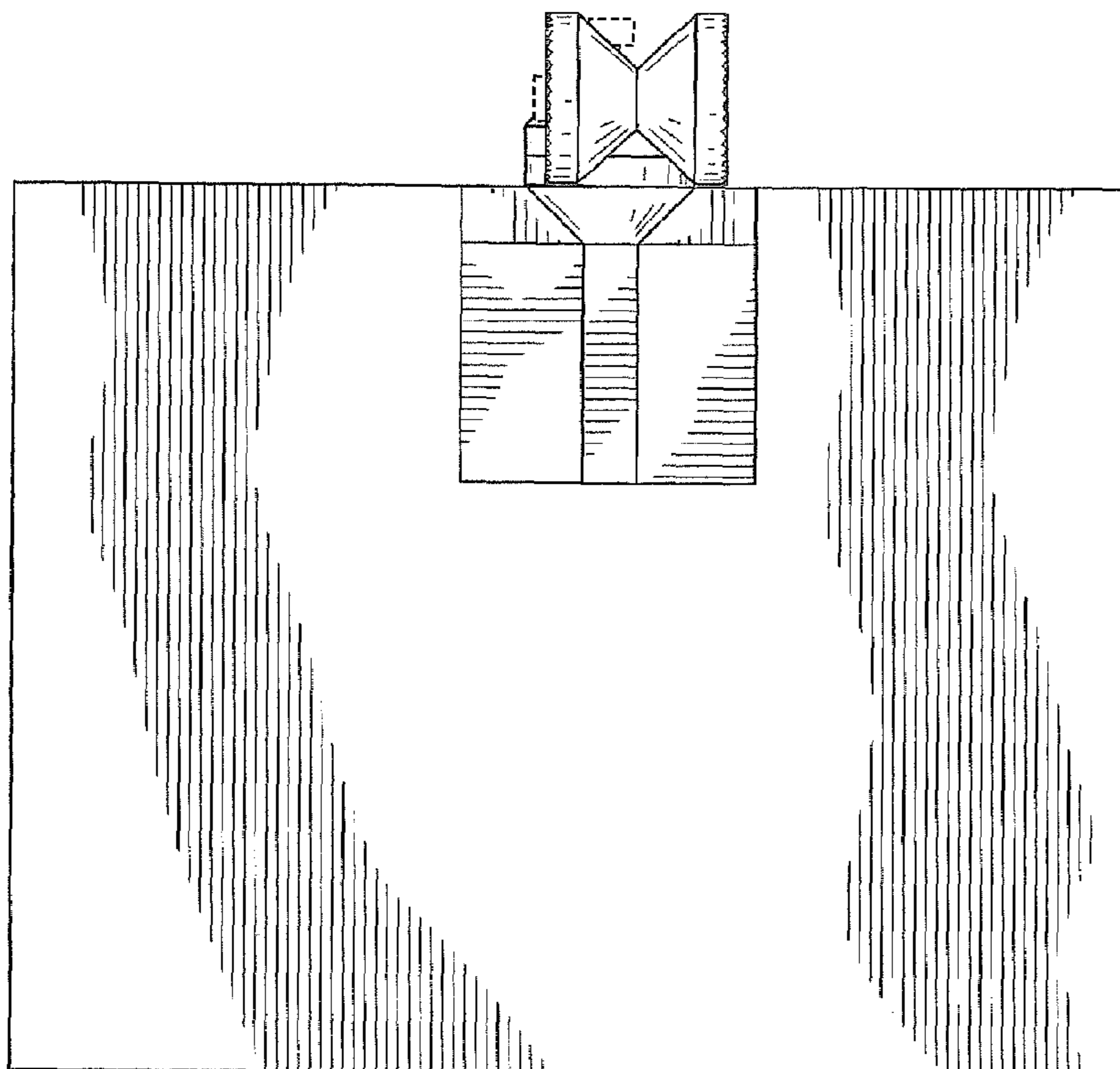
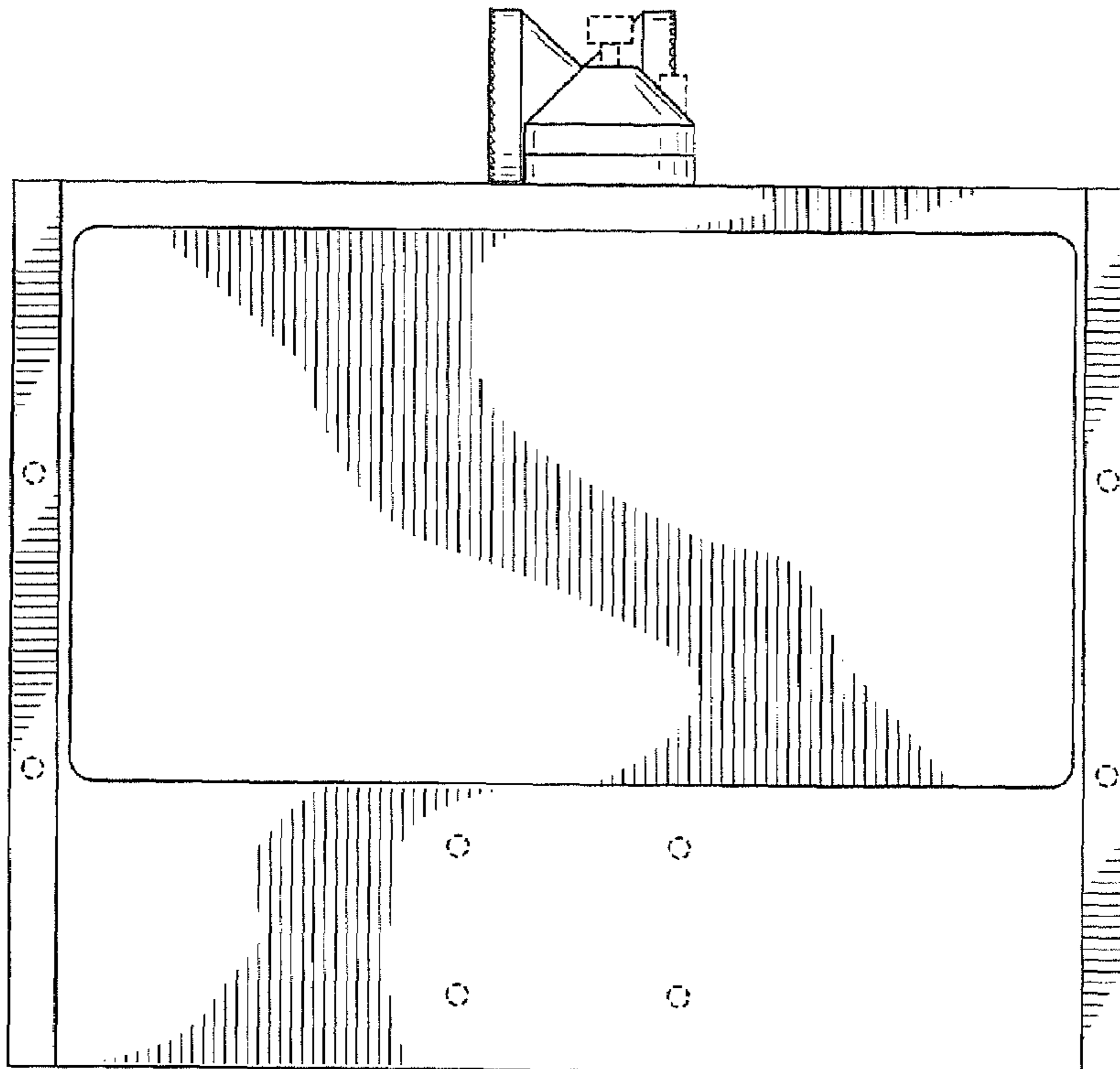


FIG. 8



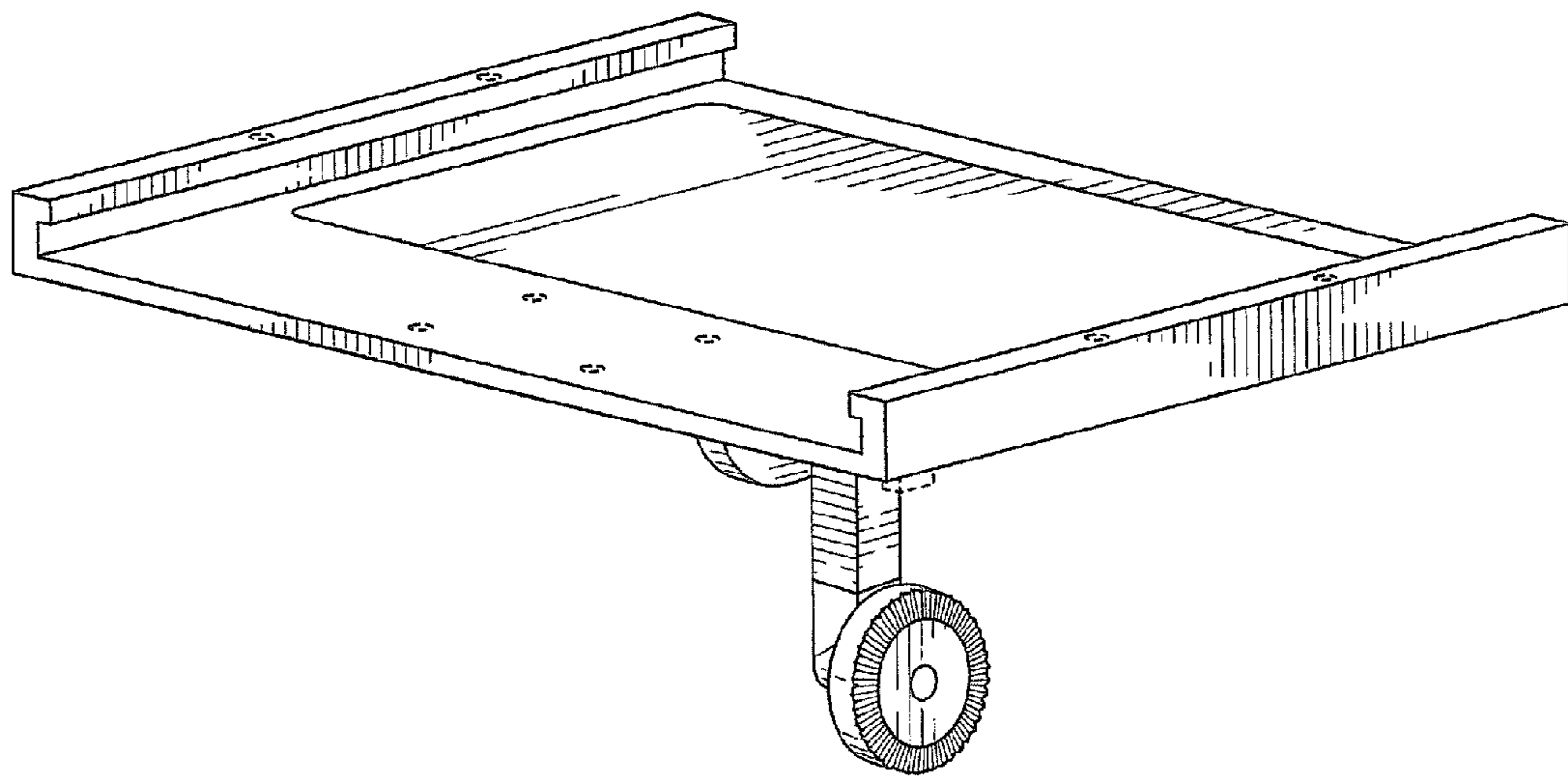


FIG. 11

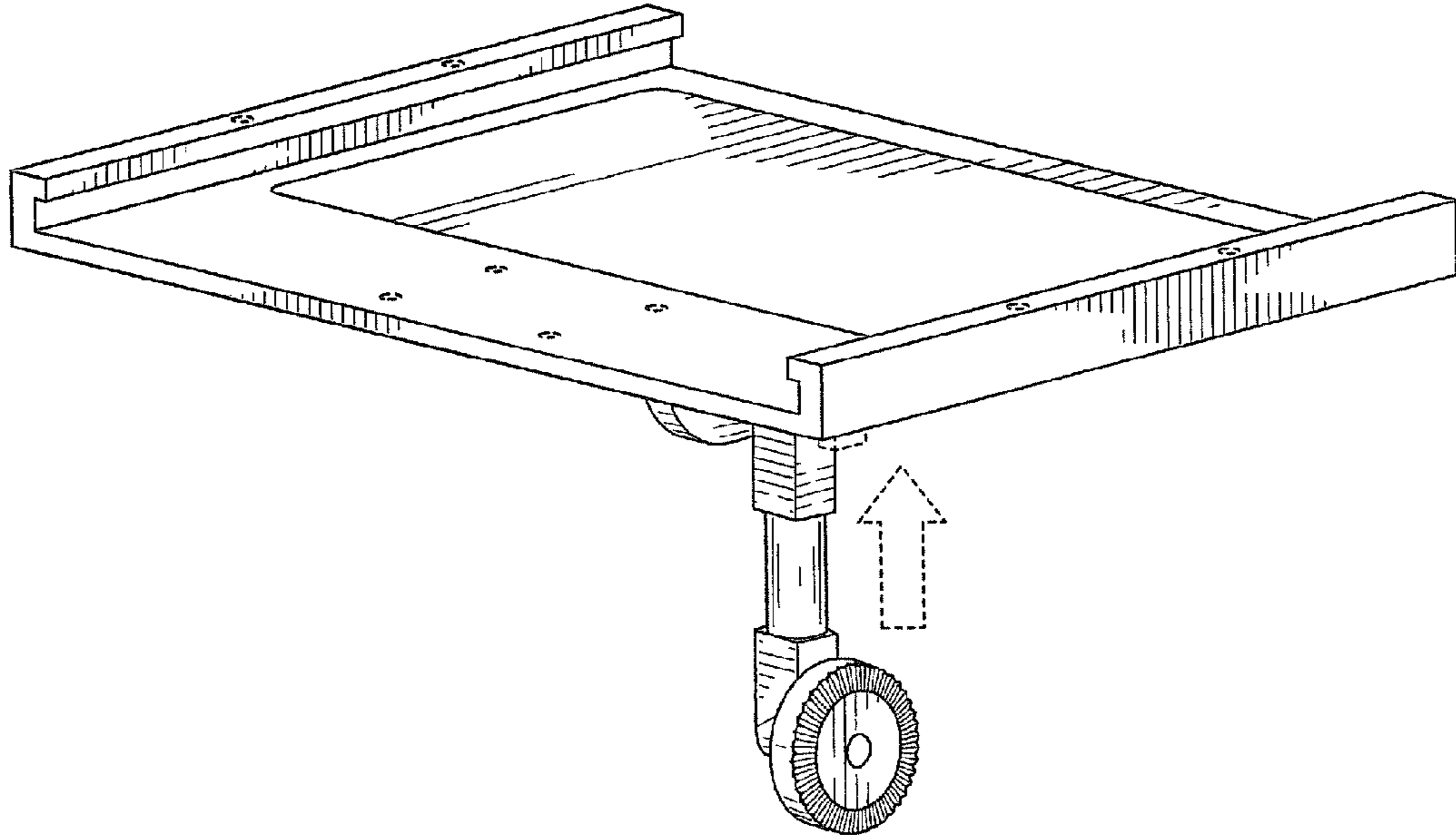


FIG. 12

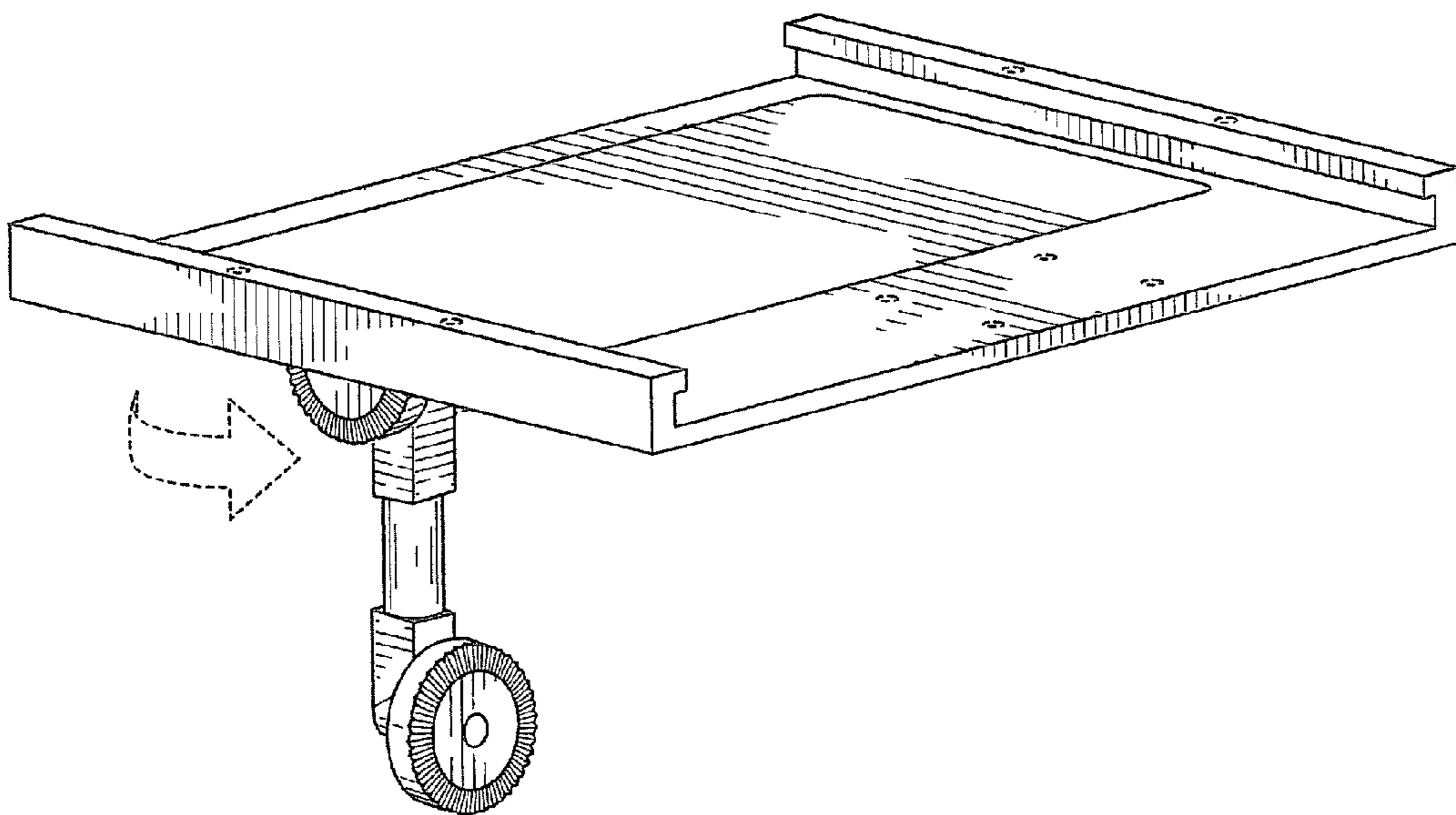
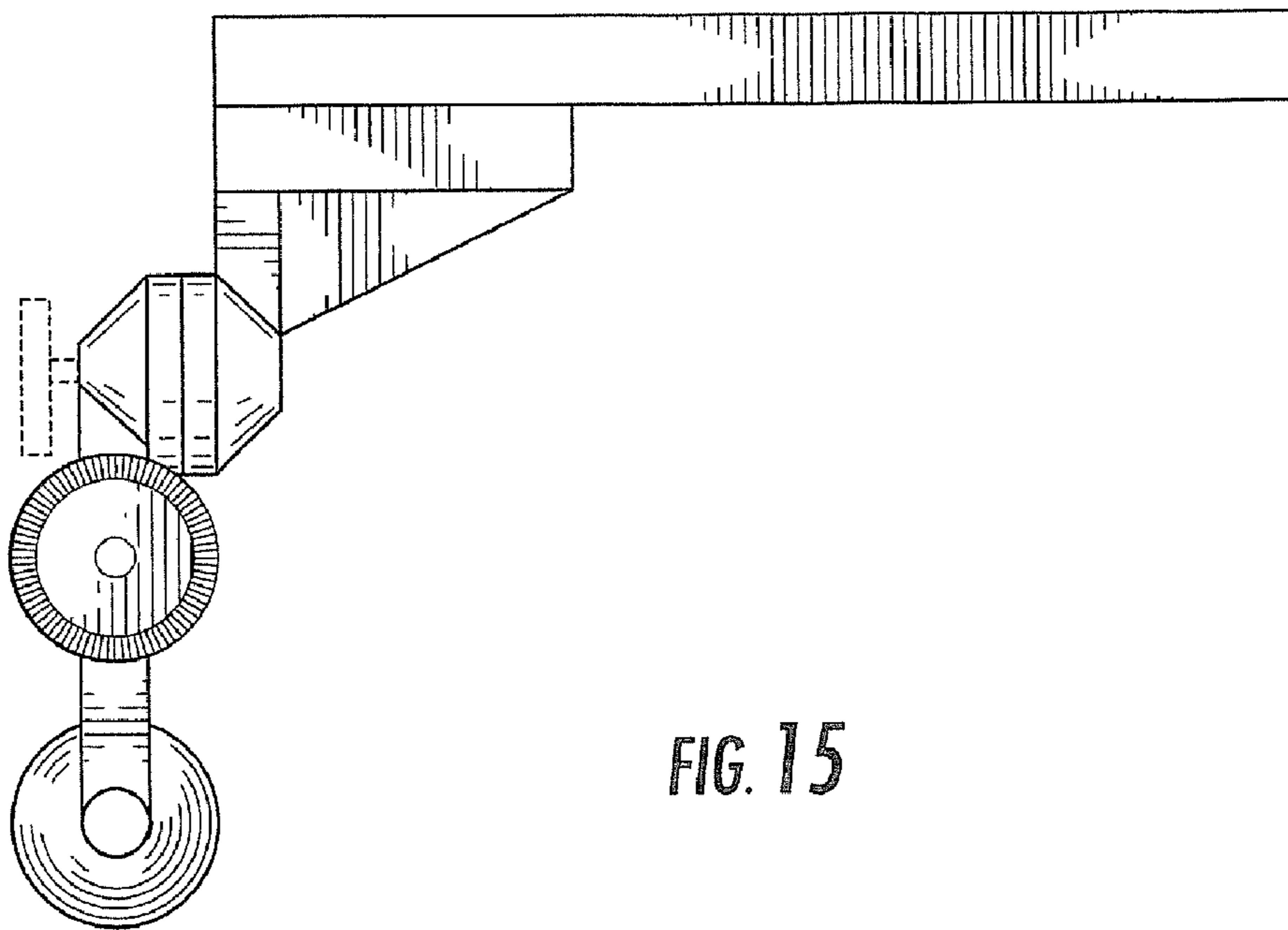
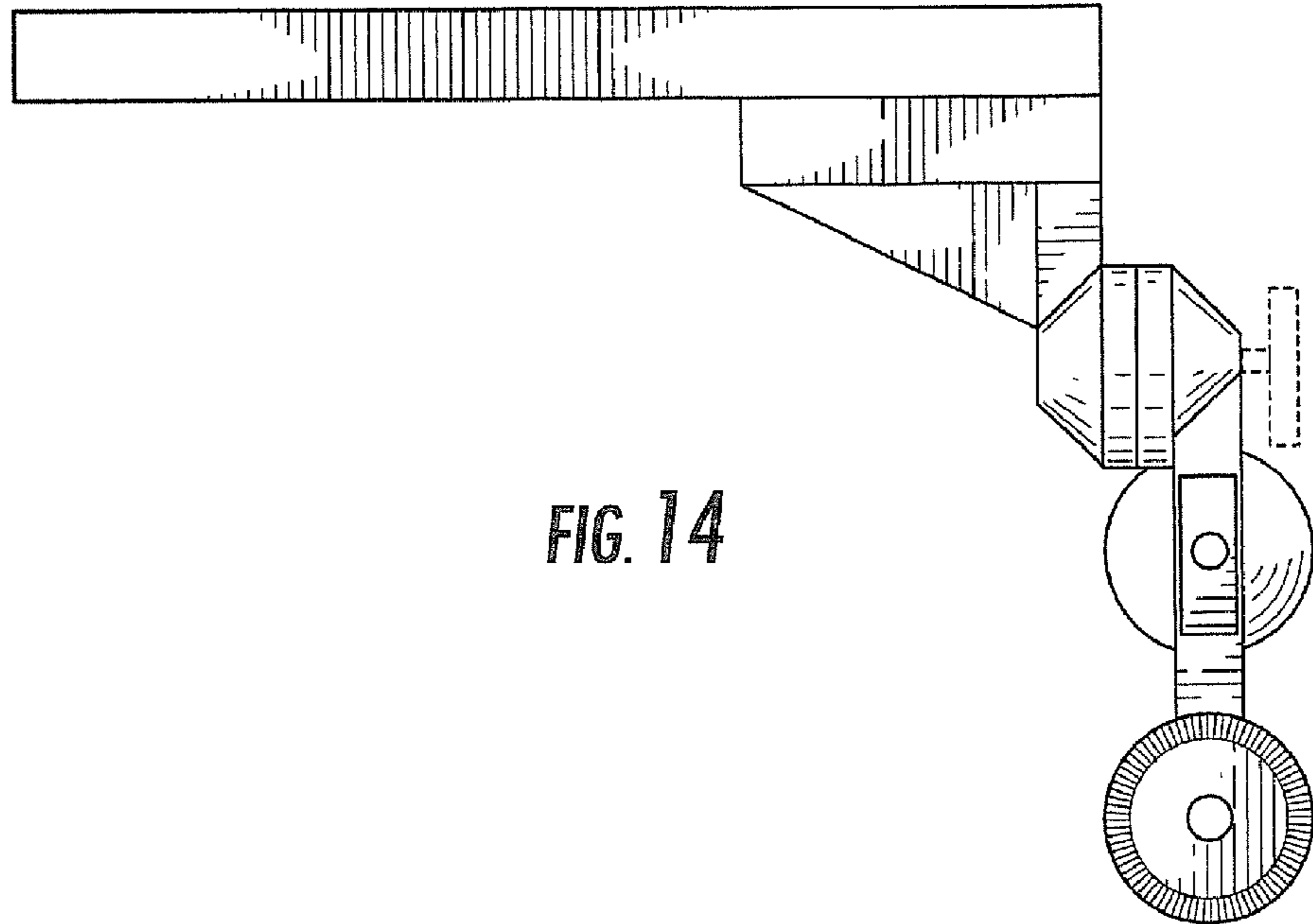


FIG. 13



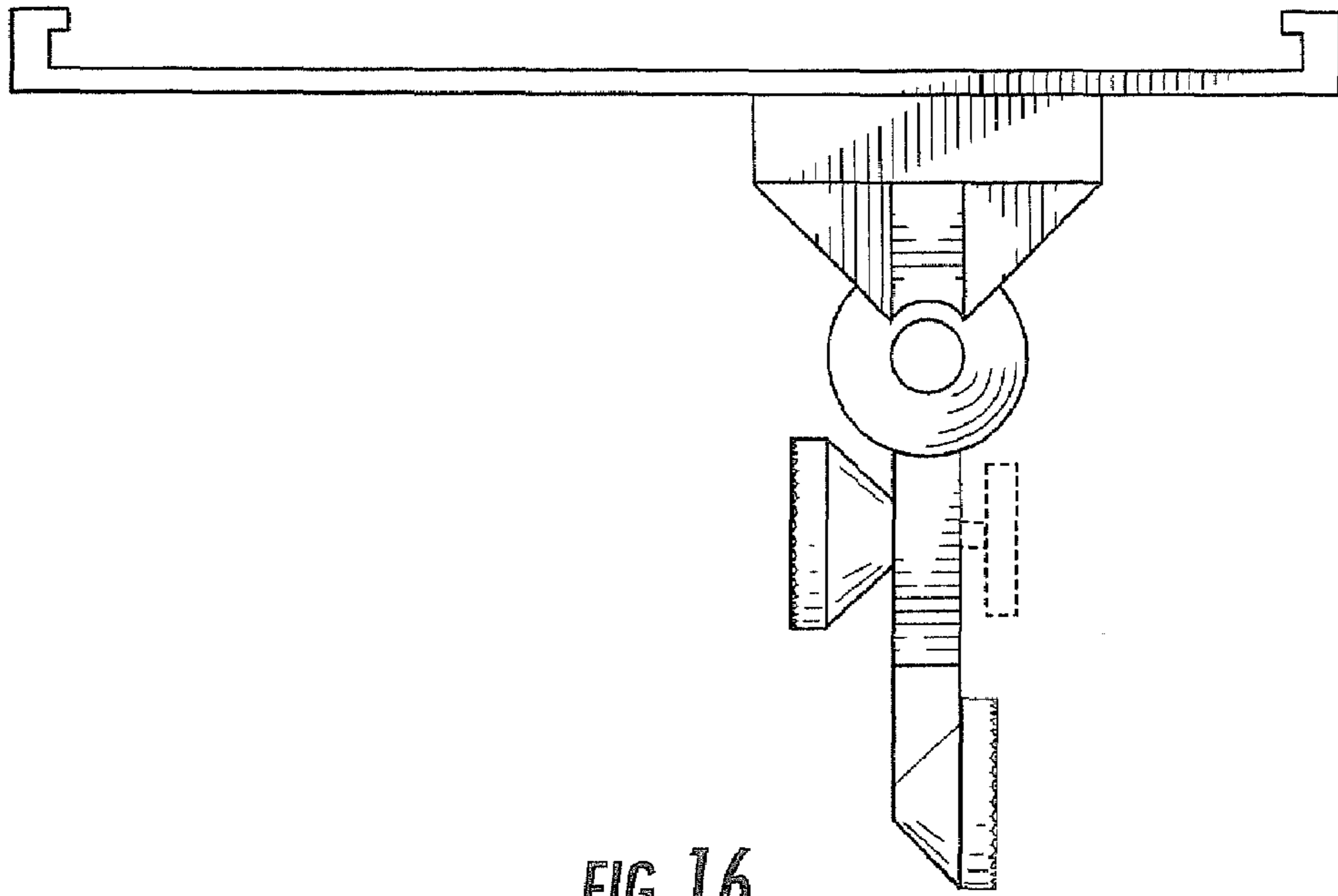


FIG. 16

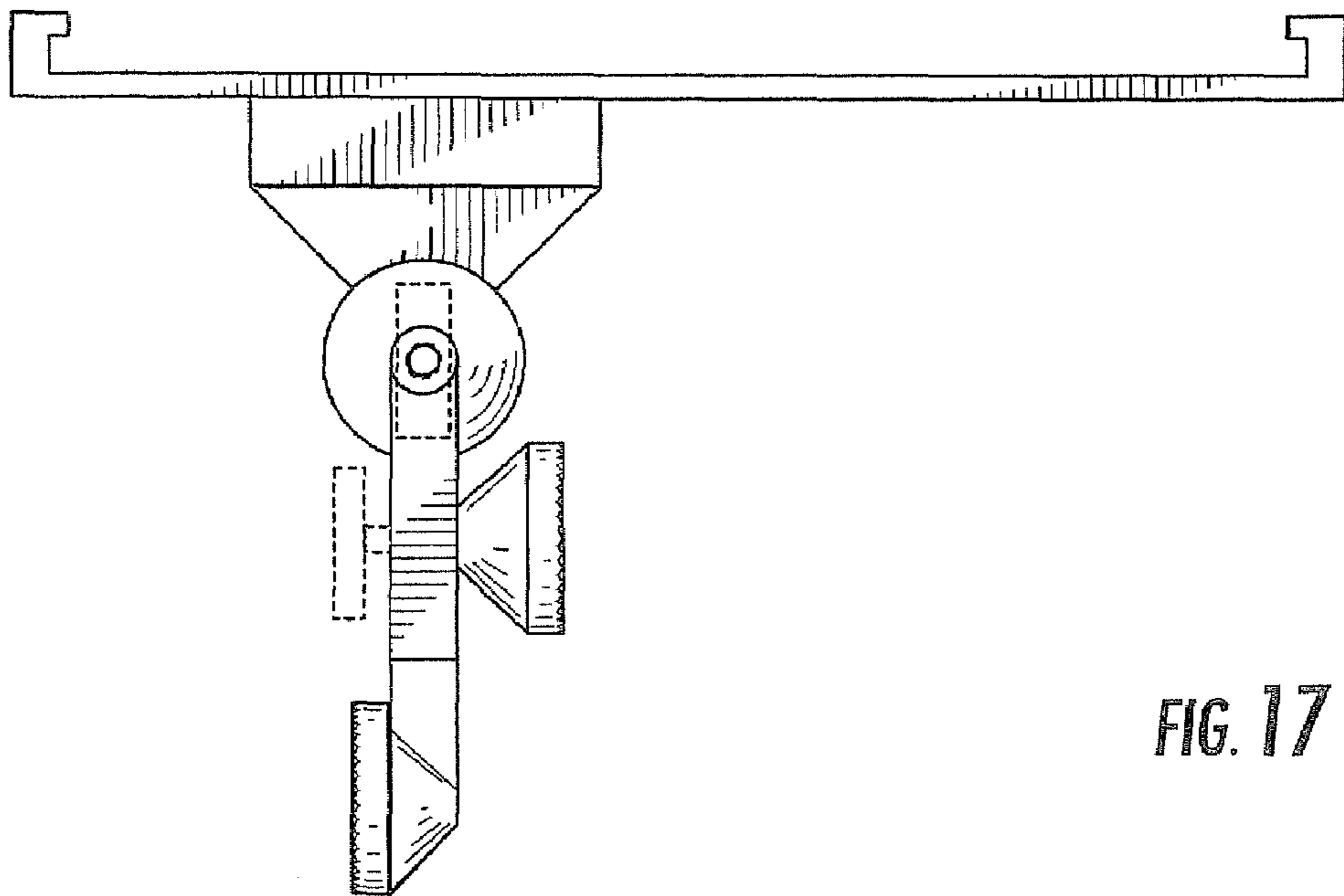


FIG. 17

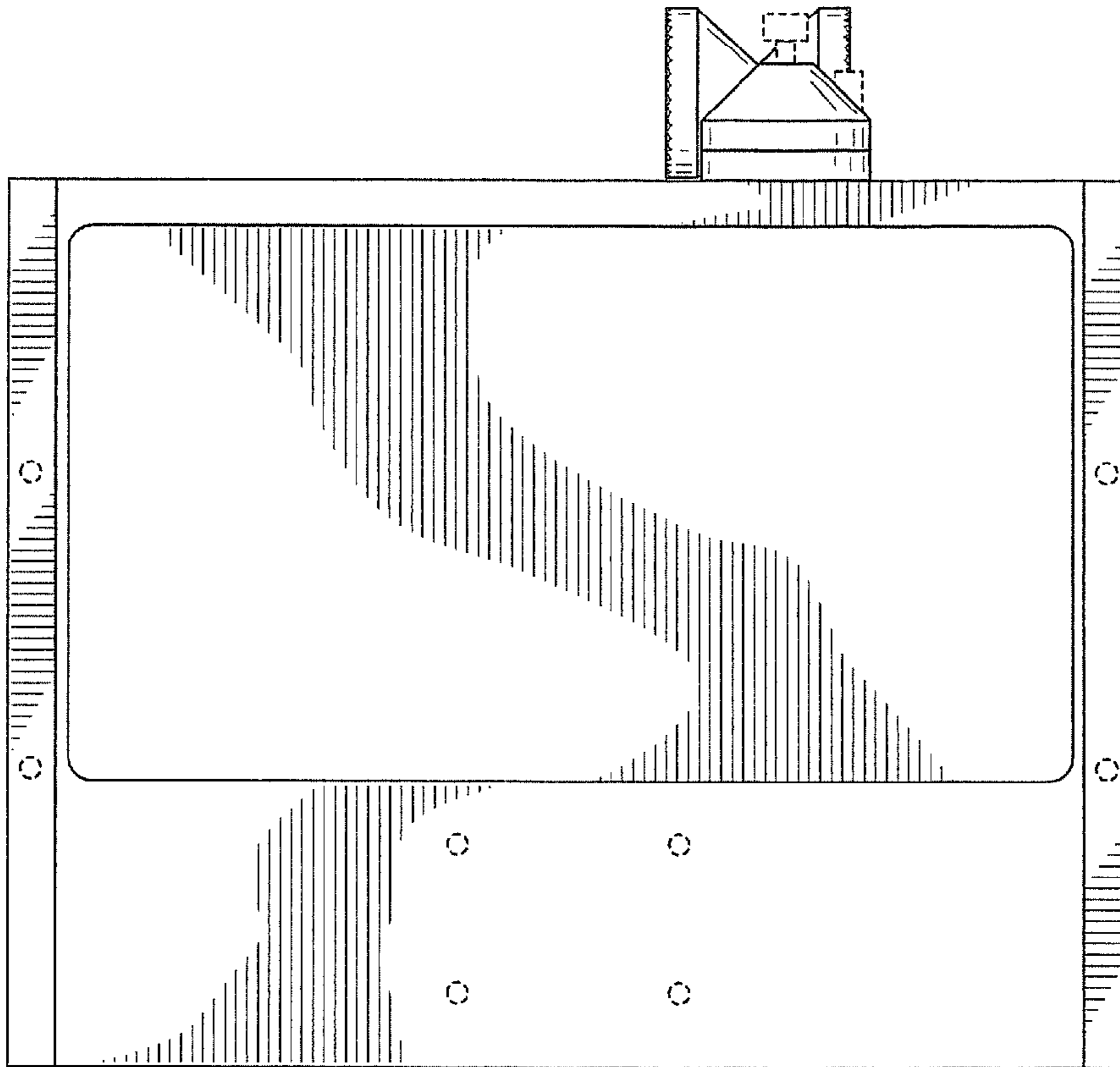


FIG. 18

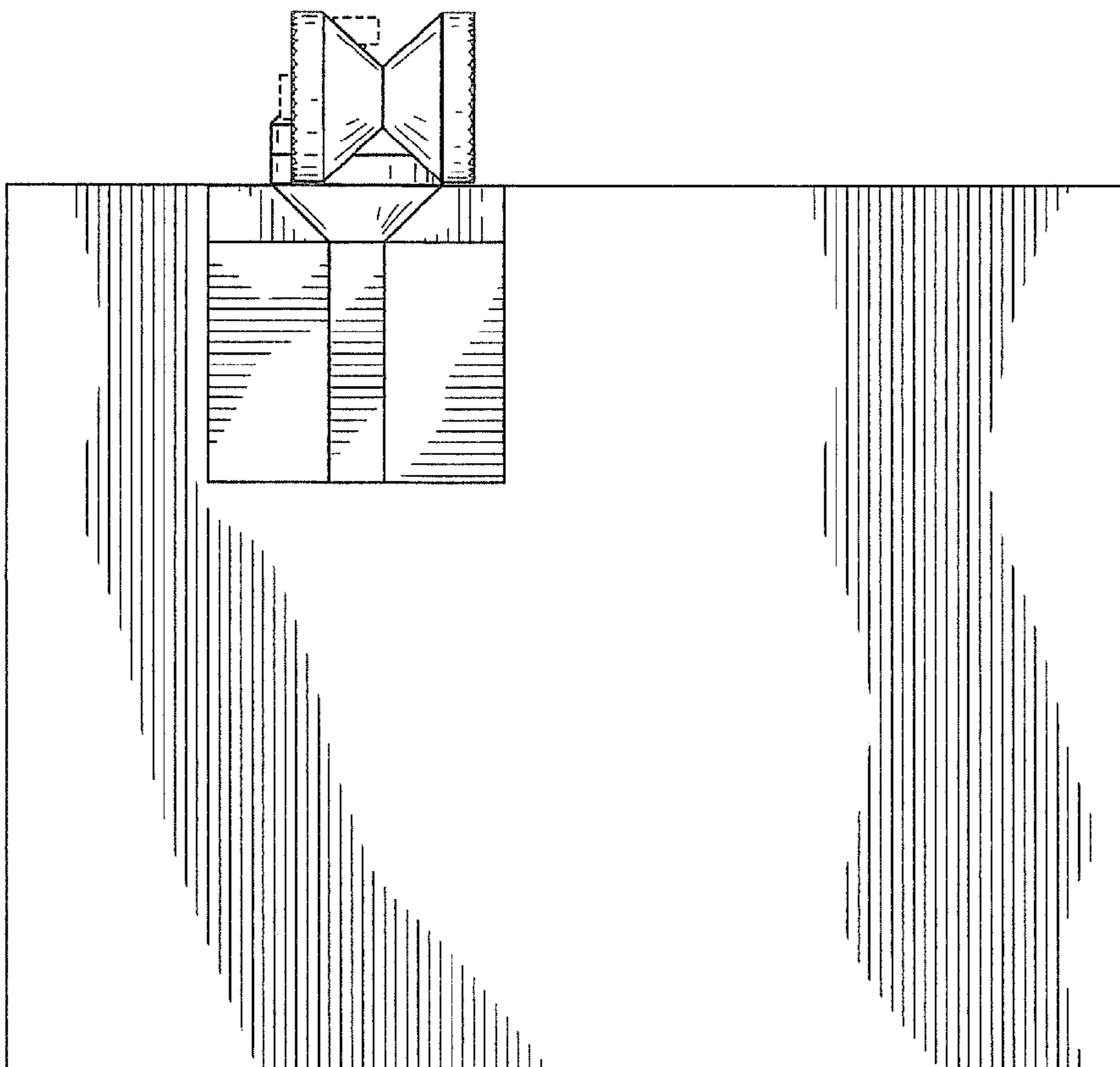


FIG. 19