



US00D603966S

(12) **United States Design Patent**
Jones et al.

(10) **Patent No.:** **US D603,966 S**
(45) **Date of Patent:** **** Nov. 10, 2009**

(54) **PULSE OXIMETER WITH INTEGRATED SENSOR**

2009/0043180 A1* 2/2009 Tschautscher et al. 600/323
* cited by examiner

(75) Inventors: **Zach Jones**, Half Moon Bay, CA (US);
Eric Woods, Walnut Creek, CA (US);
Michael T. Herda, Stirling, NJ (US)

Primary Examiner—T. Chase Nelson
Assistant Examiner—Anhdao Doan
(74) *Attorney, Agent, or Firm*—Townsend and Townsend and Crew LLP

(73) Assignee: **EconoMEDics, Inc.**, Palo Alto, CA (US)

(57) **CLAIM**

(**) Term: **14 Years**

The ornamental design for pulse oximeter with integrated sensor, as shown and described.

(21) Appl. No.: **29/334,416**

(22) Filed: **Mar. 26, 2009**

DESCRIPTION

(51) **LOC (9) Cl.** **24-01**

FIG. 1 is a perspective view of a pulse oximeter with integrated sensor showing our new design, with the integrated sensor in the closed position;

(52) **U.S. Cl.** **D24/164; D24/165**

FIG. 2 is a top plan view thereof;

(58) **Field of Classification Search** D24/164,
D24/165, 169, 186; 600/310, 323, 335, 340;
D10/78, 81

FIG. 3 is a bottom plan view thereof;

See application file for complete search history.

FIG. 4 is a left side elevational view thereof;

FIG. 5 is a right side elevational view thereof;

(56) **References Cited**

U.S. PATENT DOCUMENTS

D317,501 S *	6/1991	Cheung et al.	D24/167
D351,023 S *	9/1994	Walters	D24/169
D392,740 S *	3/1998	Yung et al.	D24/169
D430,812 S *	9/2000	Levin et al.	D10/81
D444,235 S *	6/2001	Roberts et al.	D24/169
D455,834 S *	4/2002	Donars et al.	D24/169
D460,559 S *	7/2002	Knieriem et al.	D24/186
D463,561 S *	9/2002	Fukatsu et al.	D24/165
D545,438 S *	6/2007	Huang et al.	D24/186
D562,985 S *	2/2008	Brefka et al.	D24/186

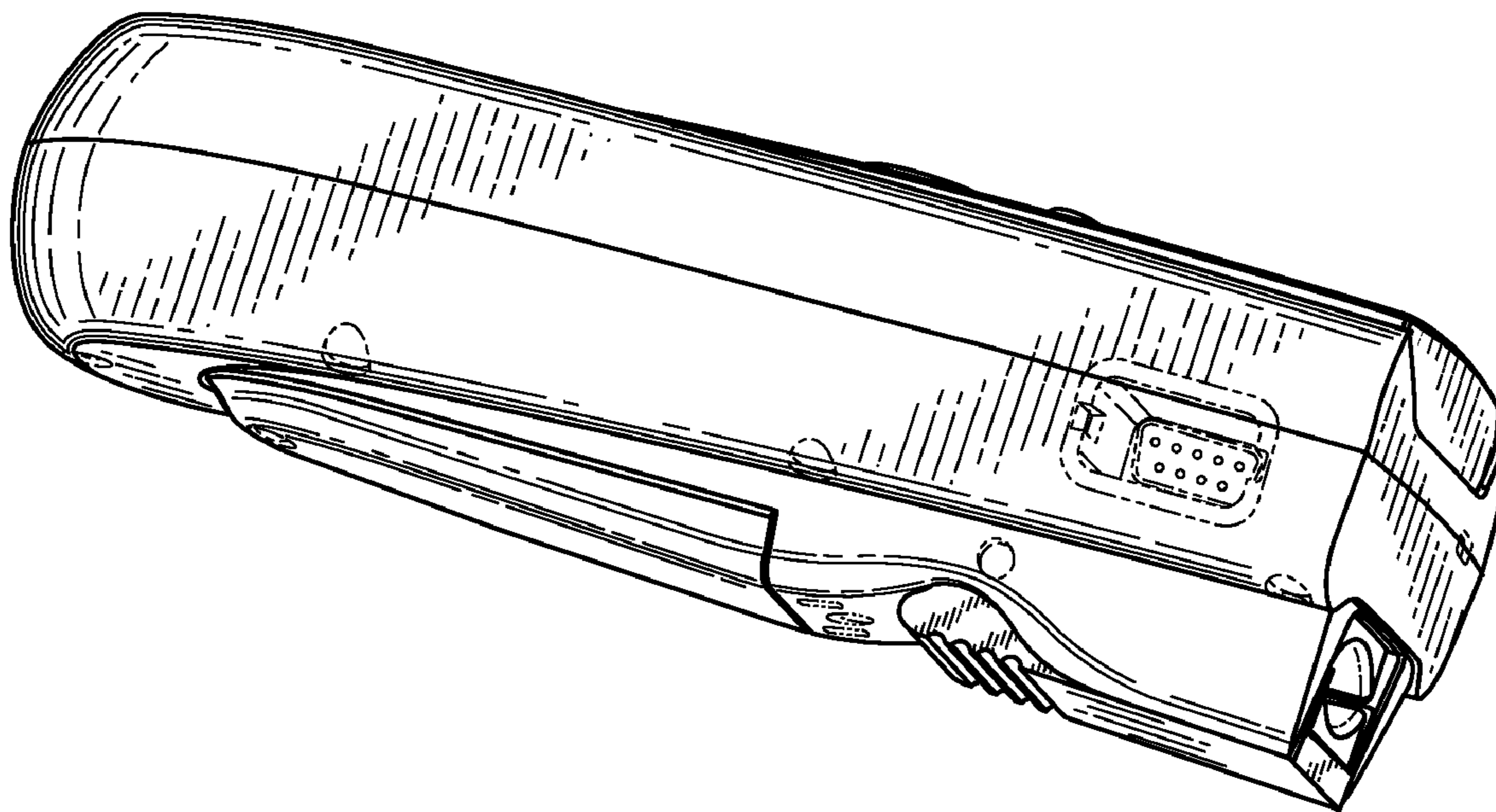
FIG. 6 is front elevational view thereof with the integrated sensor in the closed position;

FIG. 7 is a rear elevational view thereof; and,

FIG. 8 is a perspective view thereof with the integrated sensor in the open position.

The broken lines in the drawing views are included for the purpose of illustrating portions of the pulse oximeter with integrated sensor that form no part of the claimed design.

1 Claim, 5 Drawing Sheets



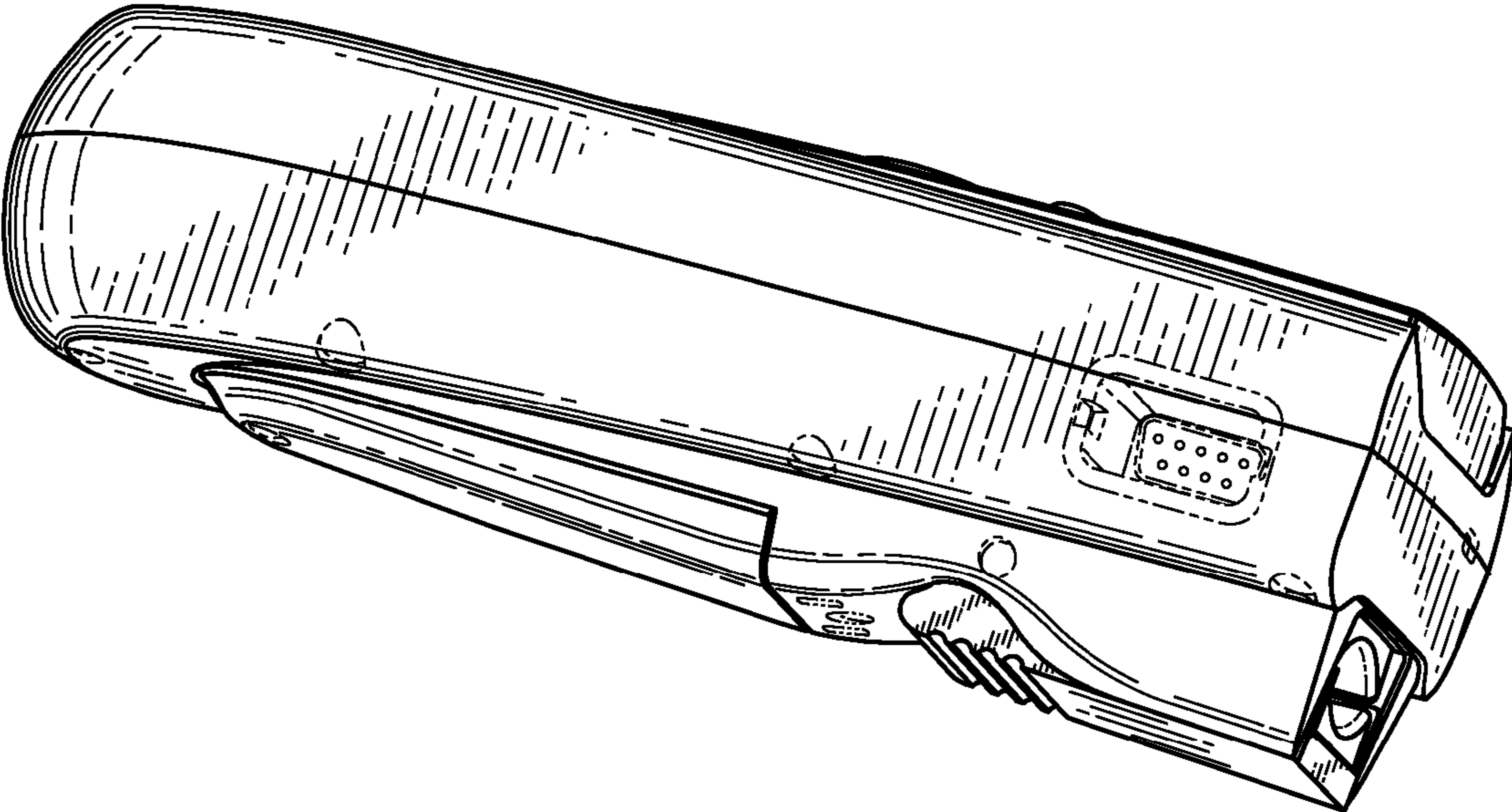


FIG. 1

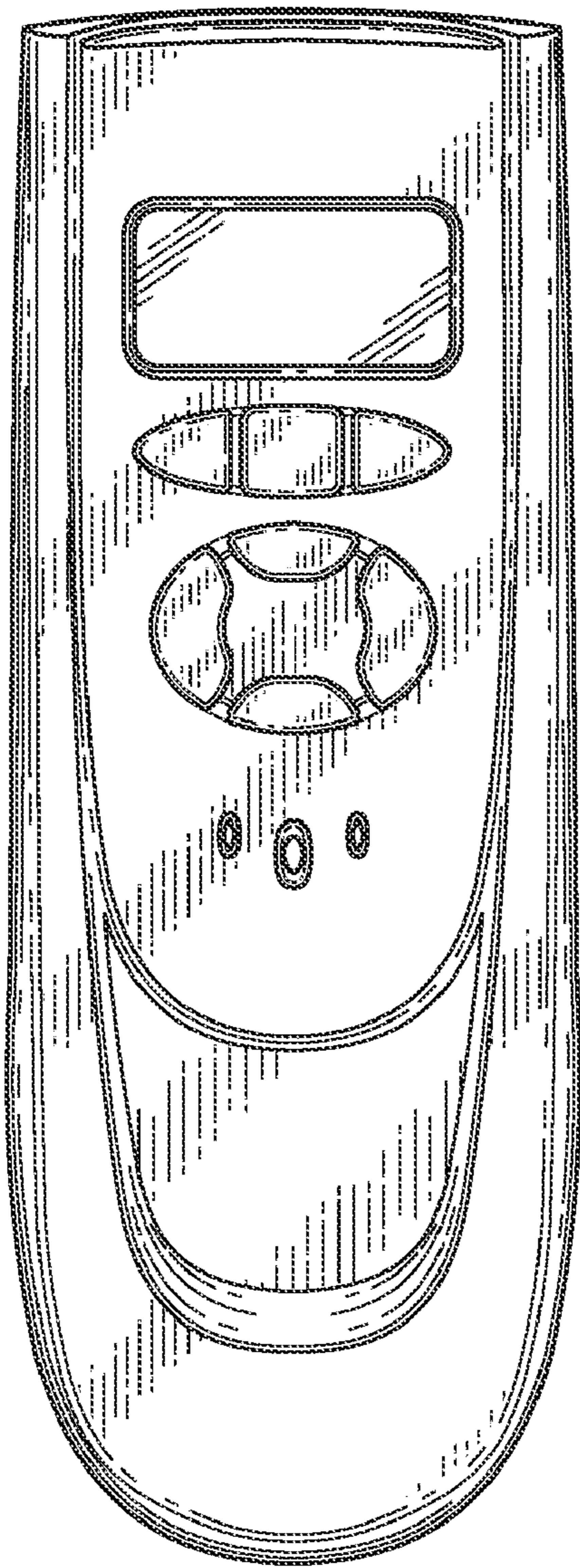


FIG. 2

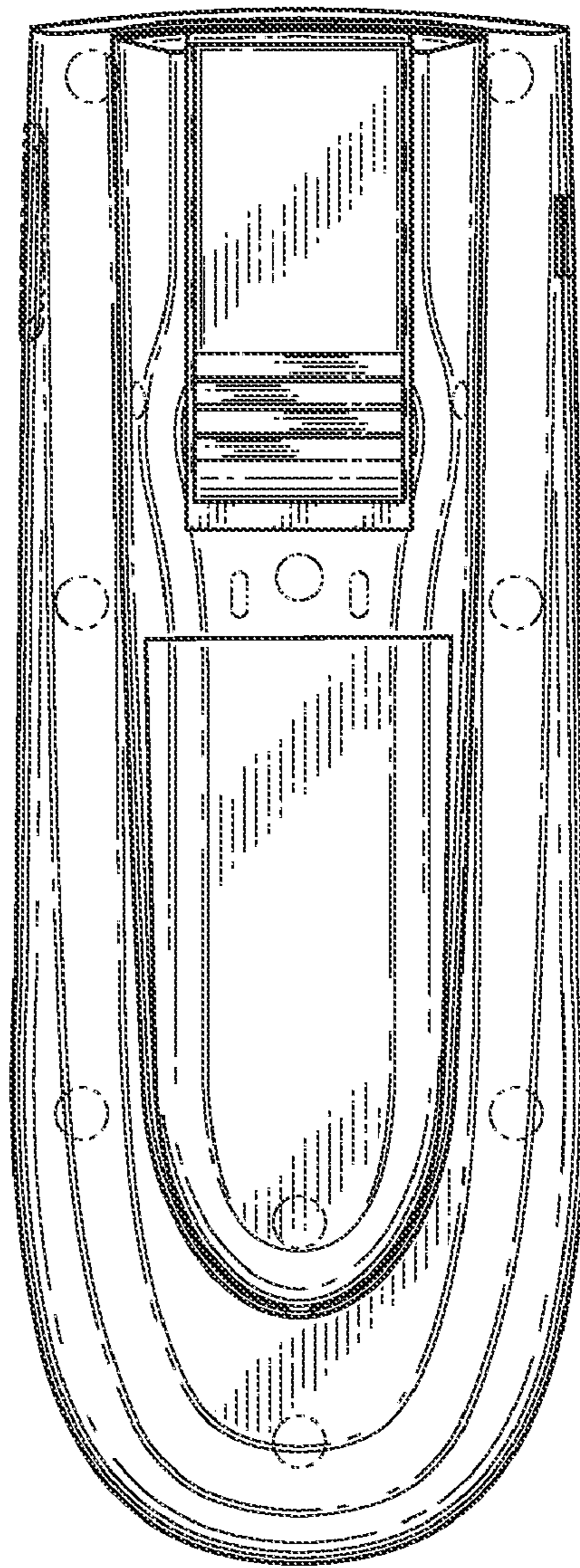


FIG. 3

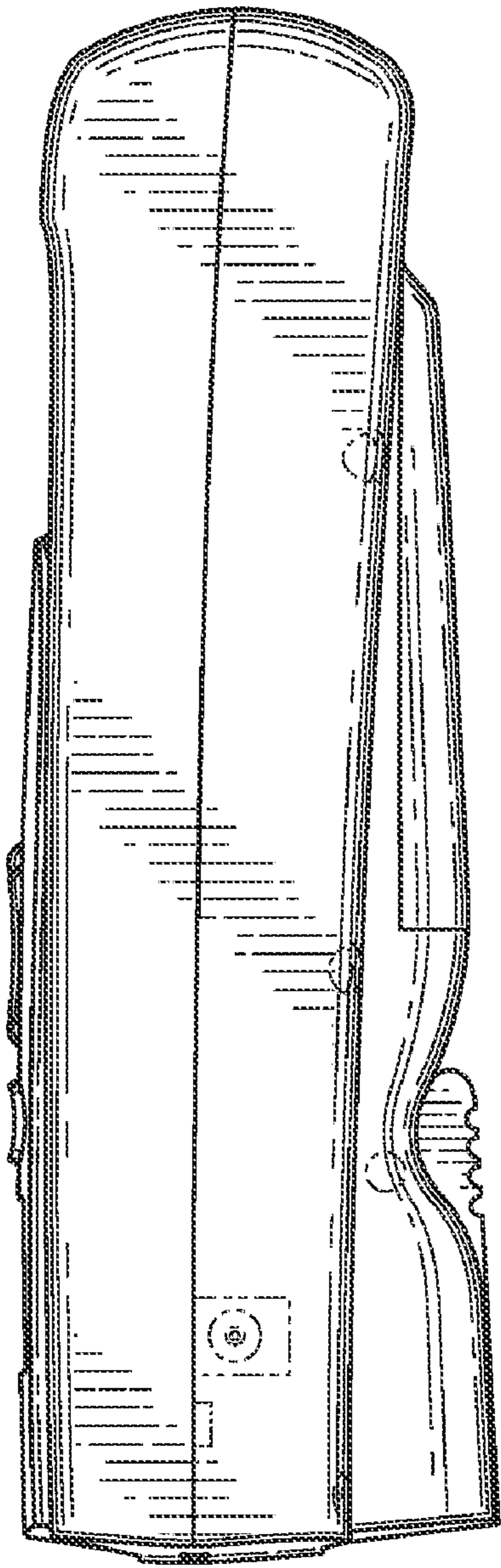


FIG. 4

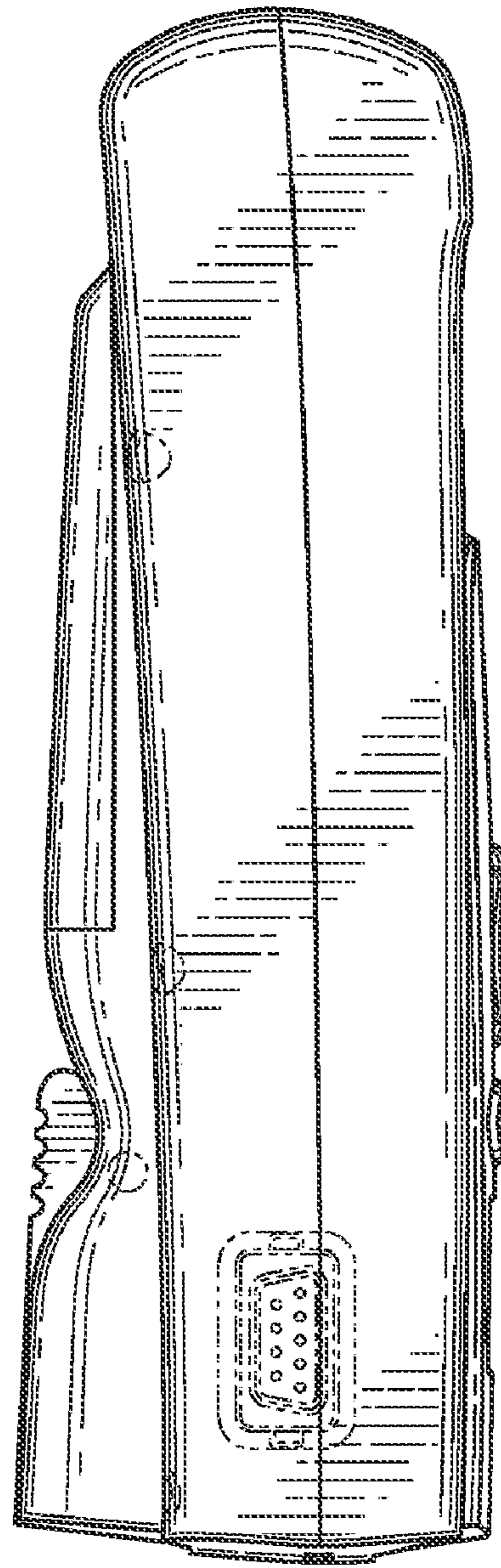


FIG. 5

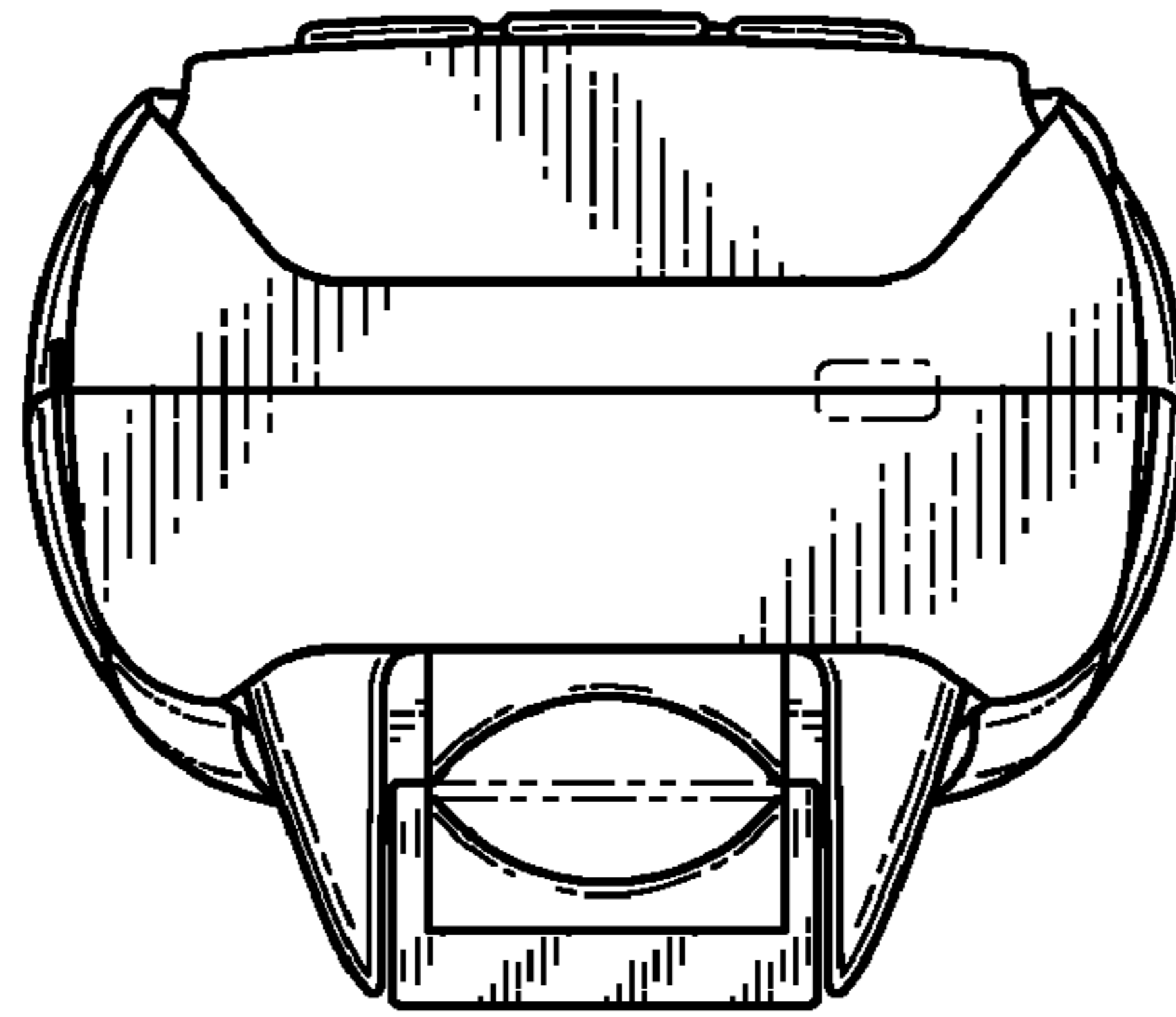


FIG. 6

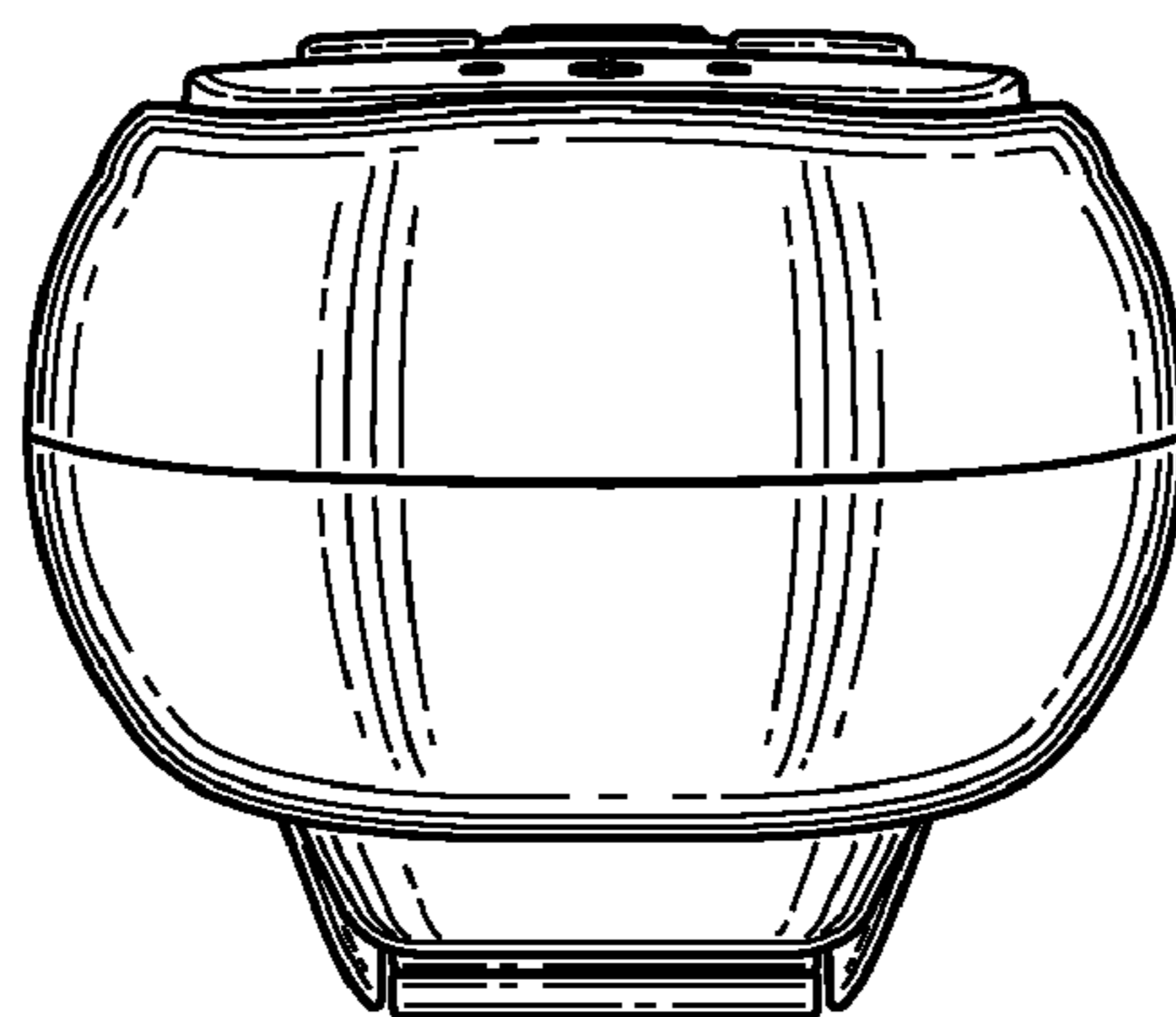


FIG. 7

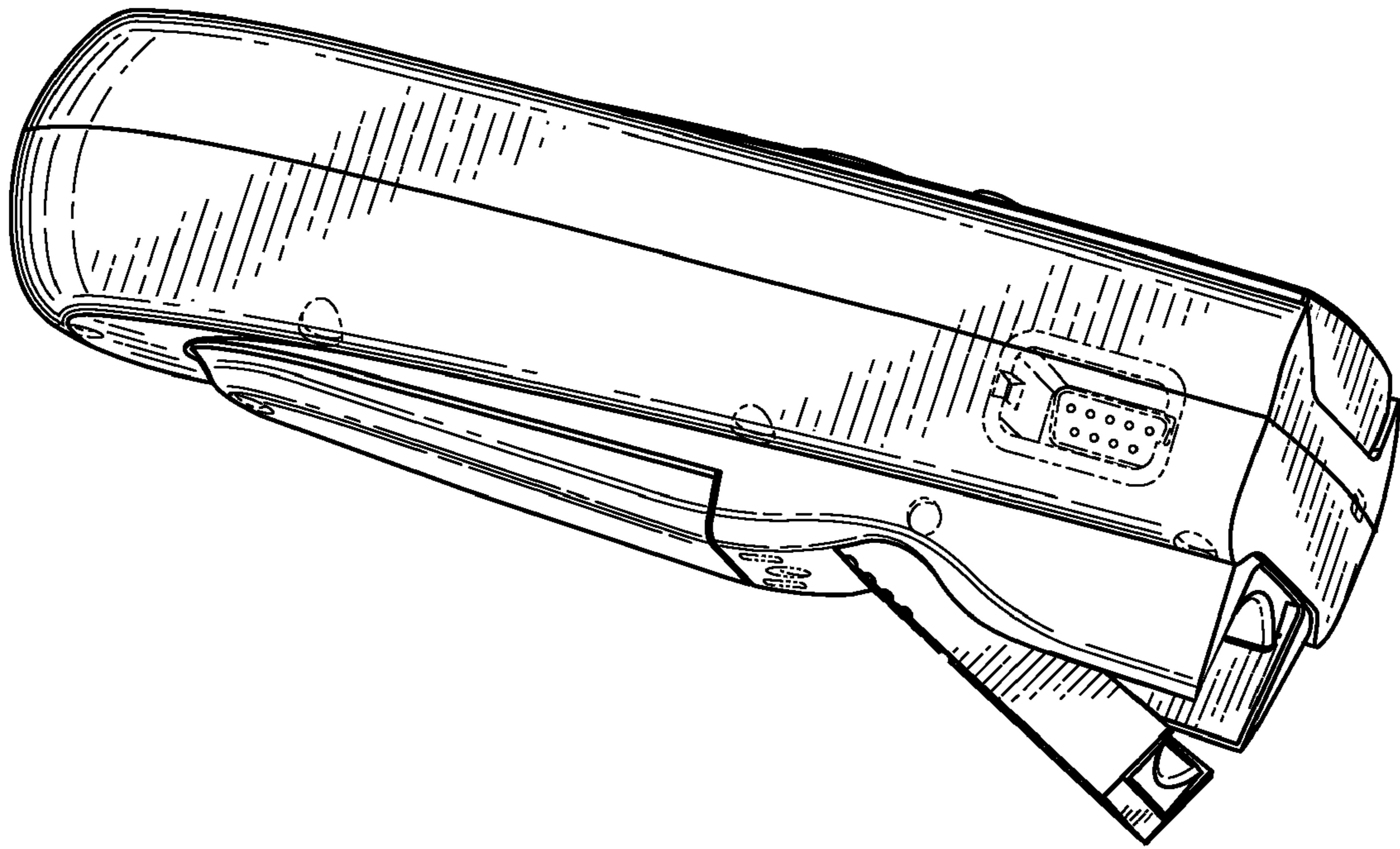


FIG. 8