



US00D603965S

(12) **United States Design Patent**  
**Verma et al.**

(10) **Patent No.:** **US D603,965 S**

(45) **Date of Patent:** **\*\* Nov. 10, 2009**

(54) **SCANHEAD ASSEMBLY**

(75) Inventors: **Kaushal Verma**, Franklin Park, NJ (US);  
**Joseph Masino**, Howell, NJ (US); **Pavel**  
**A. Fomitchov**, New York, NY (US);  
**Liqin Wang**, Belle Mead, NJ (US)

(73) Assignee: **GE Healthcare Bio-Sciences Corp.**,  
Piscataway, NJ (US)

(\*\*) Term: **14 Years**

(21) Appl. No.: **29/277,414**

(22) Filed: **Feb. 26, 2007**

(51) **LOC (9) Cl.** ..... **24-01**

(52) **U.S. Cl.** ..... **D24/158**

(58) **Field of Classification Search** ..... D24/158-161,  
D24/183, 186; 378/4, 15, 17, 19, 20, 21-27;  
362/346, 375; 359/372, 379, 380, 385, 388,  
359/389, 390; D16/131

See application file for complete search history.

(56) **References Cited**

**U.S. PATENT DOCUMENTS**

D246,987 S *	1/1978	Hawkins	.....	D24/172
D278,915 S *	5/1985	Hoelbl et al.	.....	D16/131
D290,128 S *	6/1987	Kahute	.....	D16/131
D308,879 S *	6/1990	Hoogesteger	.....	D16/131
7,321,462 B2 *	1/2008	Yamamoto	.....	359/390

**OTHER PUBLICATIONS**

Internal Disclosure of Invention, GE Healthcare.

\* cited by examiner

*Primary Examiner*—T. Chase Nelson

*Assistant Examiner*—Anhdao Doan

(74) *Attorney, Agent, or Firm*—Yonggang Ji

(57) **CLAIM**

The ornamental design for a scanhead assembly, as shown and described.

**DESCRIPTION**

FIG. 1 is a perspective view of the scanhead assembly.

FIG. 2 is a front view of the scanhead assembly of FIG. 1

FIG. 3 is a back view of the scanhead assembly of FIG. 1.

FIG. 4 is a left side view of the scanhead assembly of FIG. 1.

FIG. 5 is a right side view of the scanhead assembly of FIG. 1.

FIG. 6 is a top plan view of the scanhead assembly of FIG. 1; and,

FIG. 7 is a bottom plan view of the scanhead assembly of FIG. 1.

The broken lines in the drawings are included for the purpose of illustrating portions of the scanhead assembly that form no part of the claimed design.

**1 Claim, 7 Drawing Sheets**

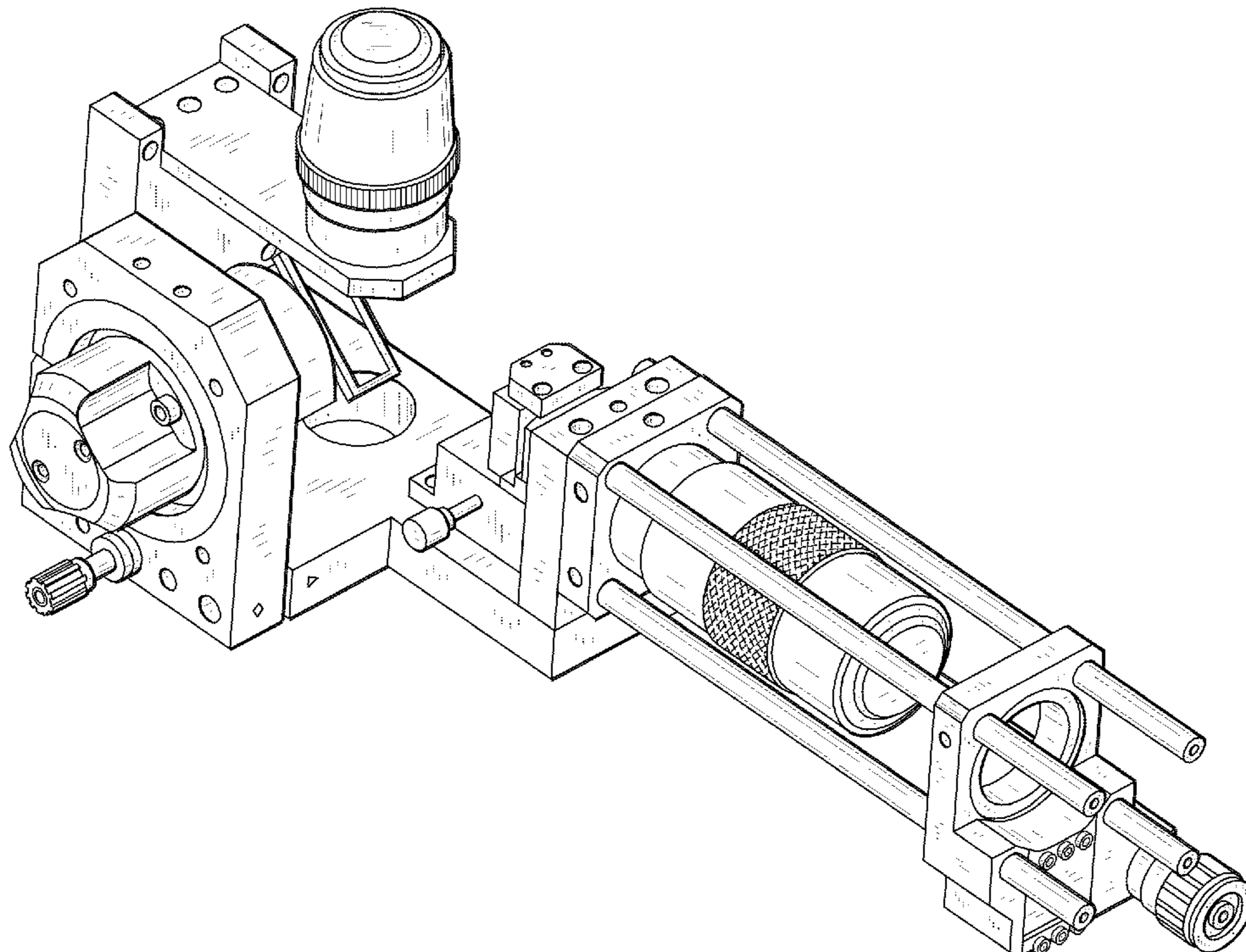


FIG. 1

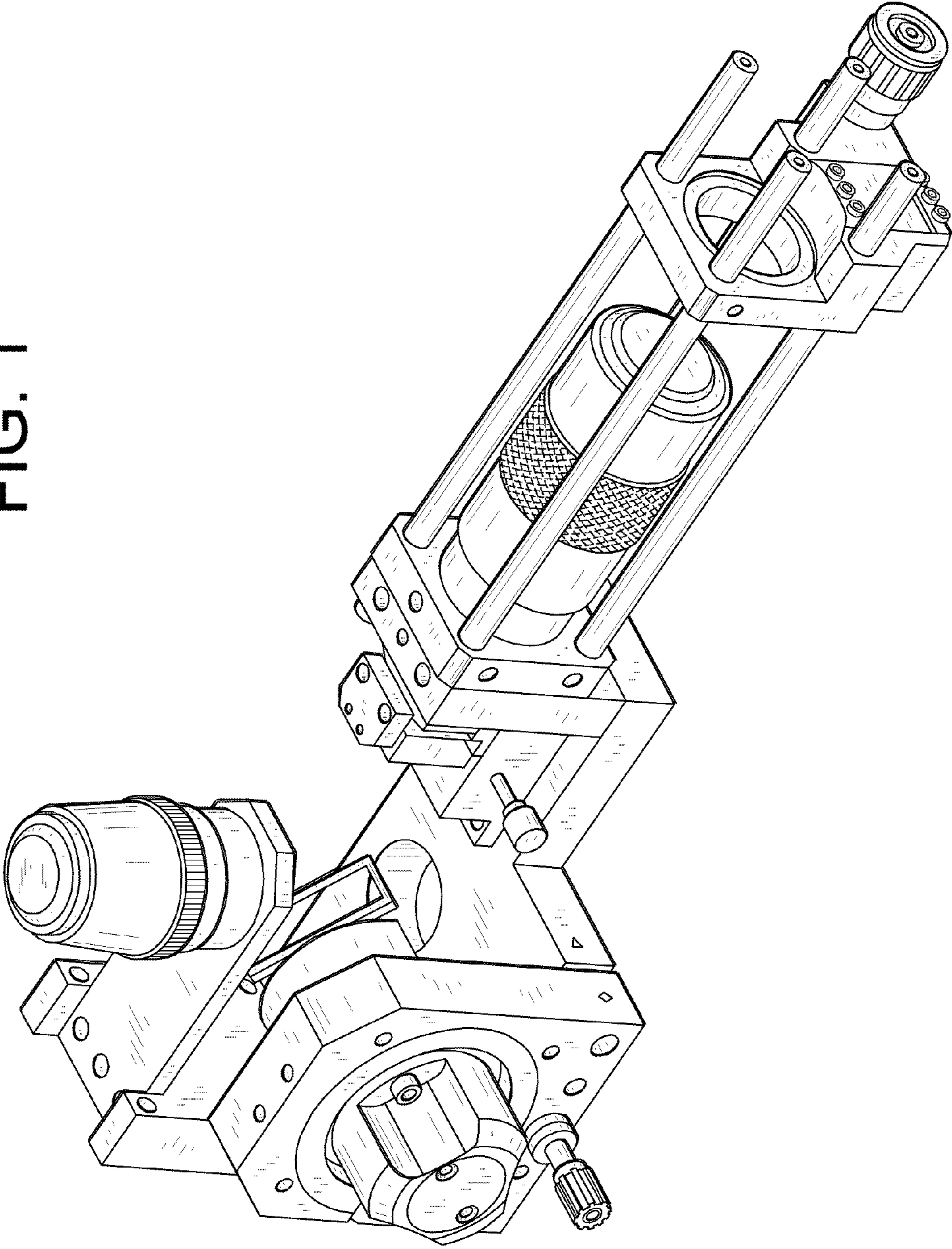


FIG. 2

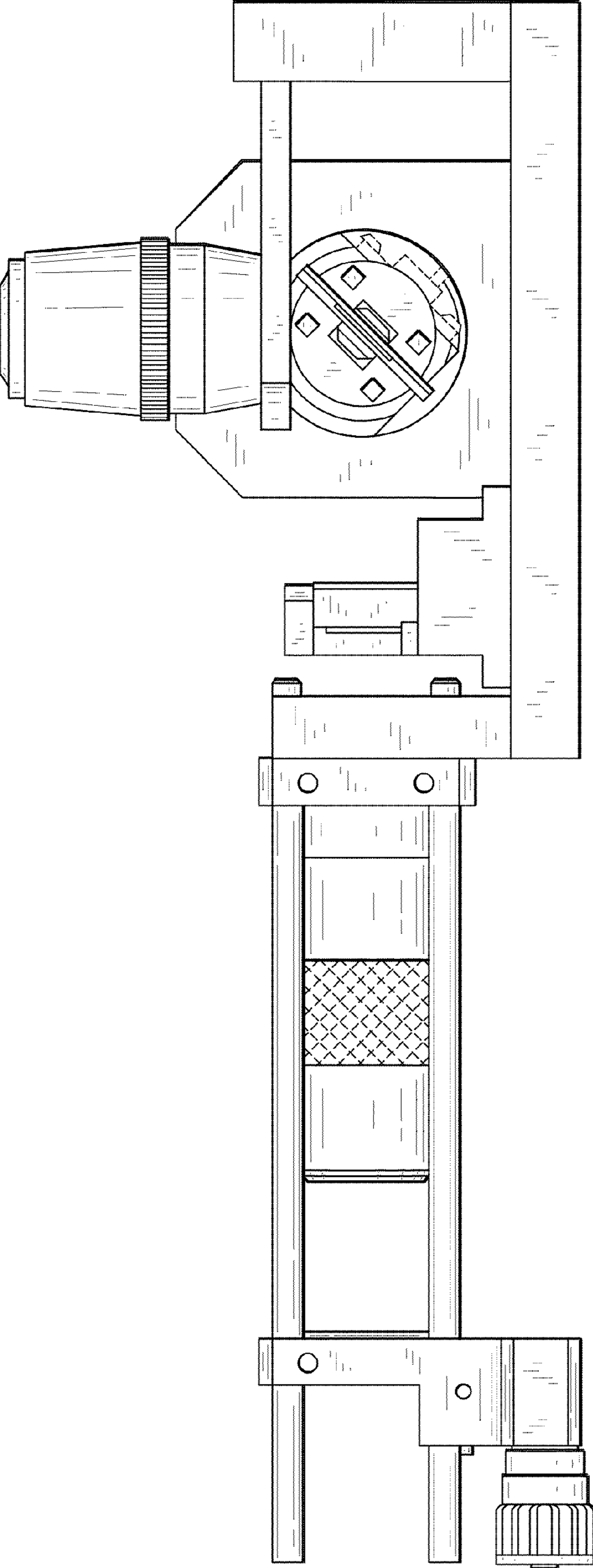




FIG. 3

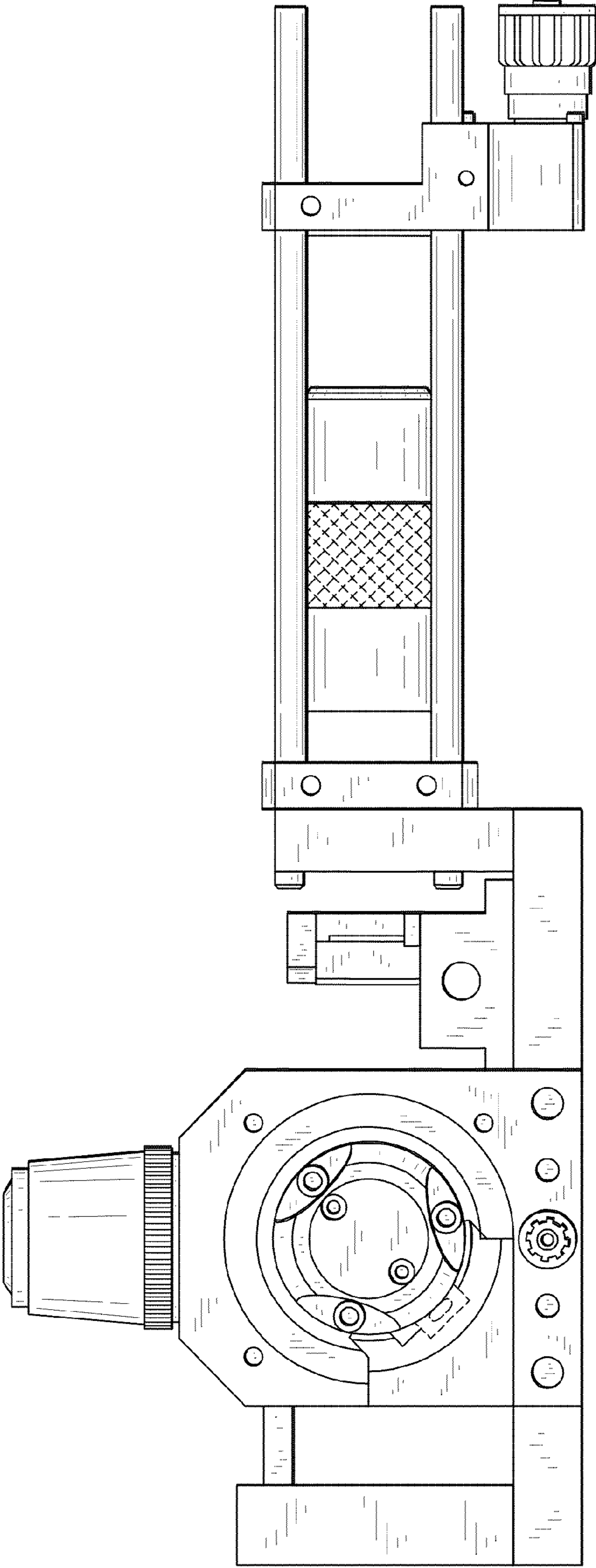


FIG. 4

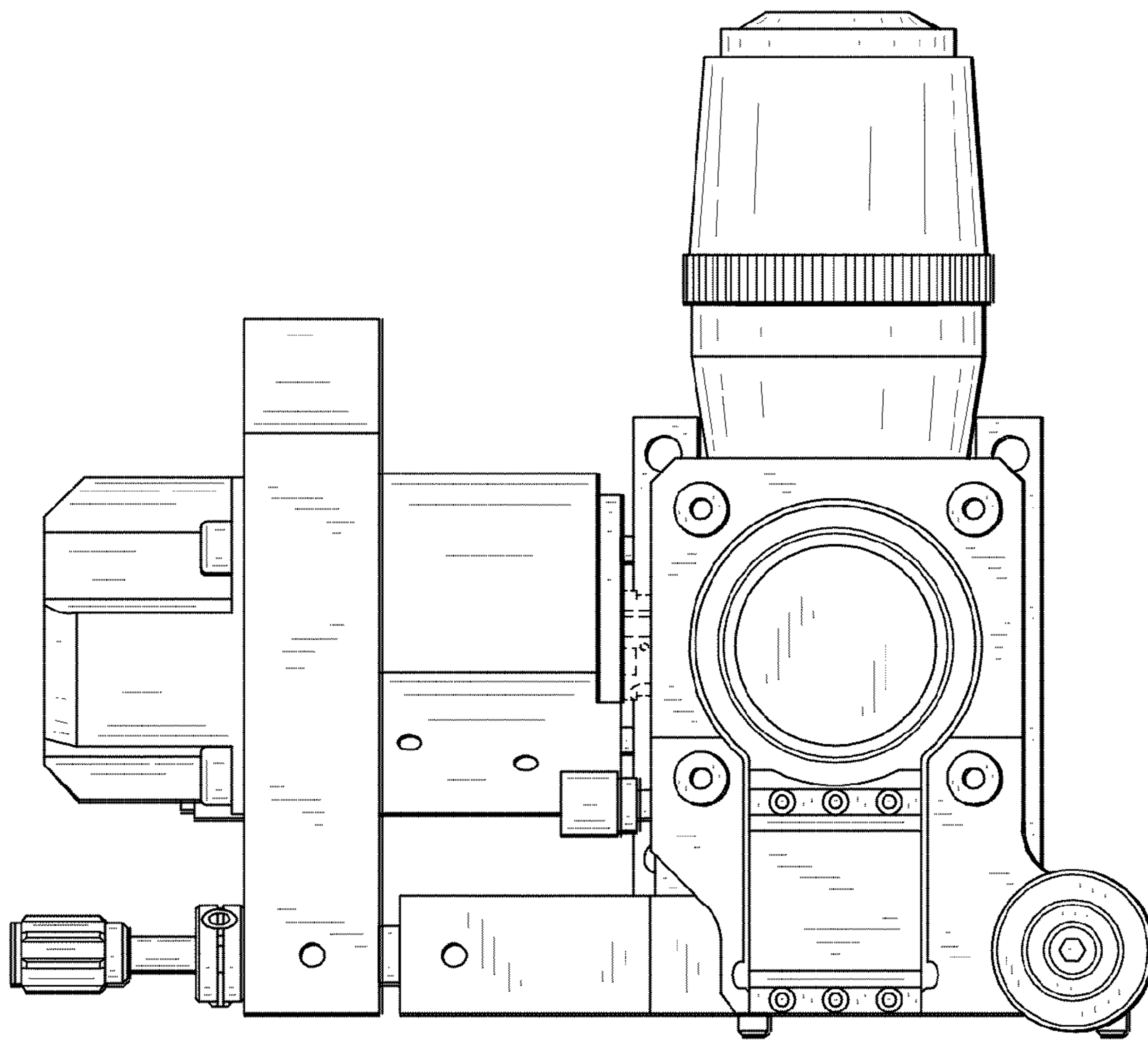
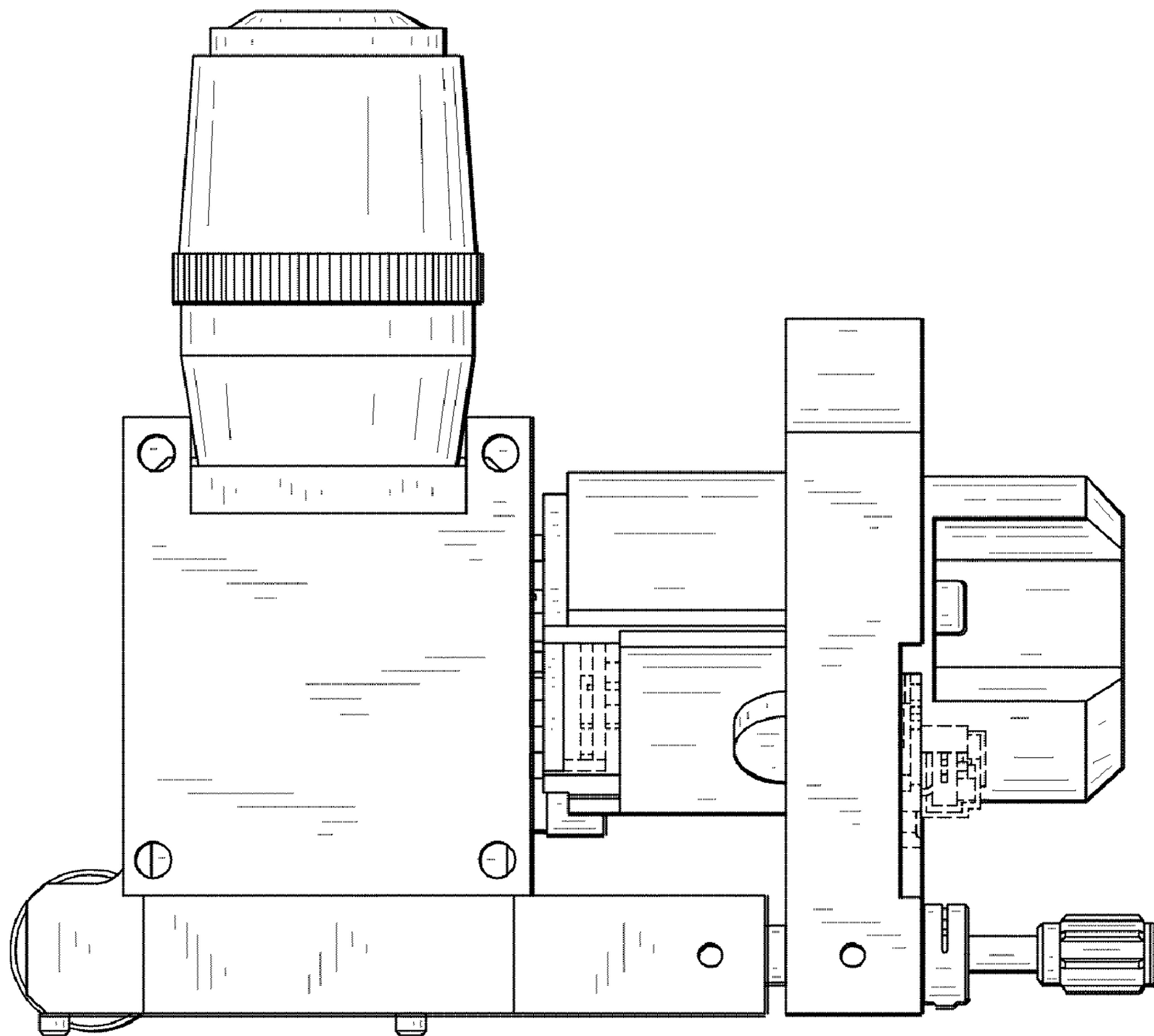


FIG. 5



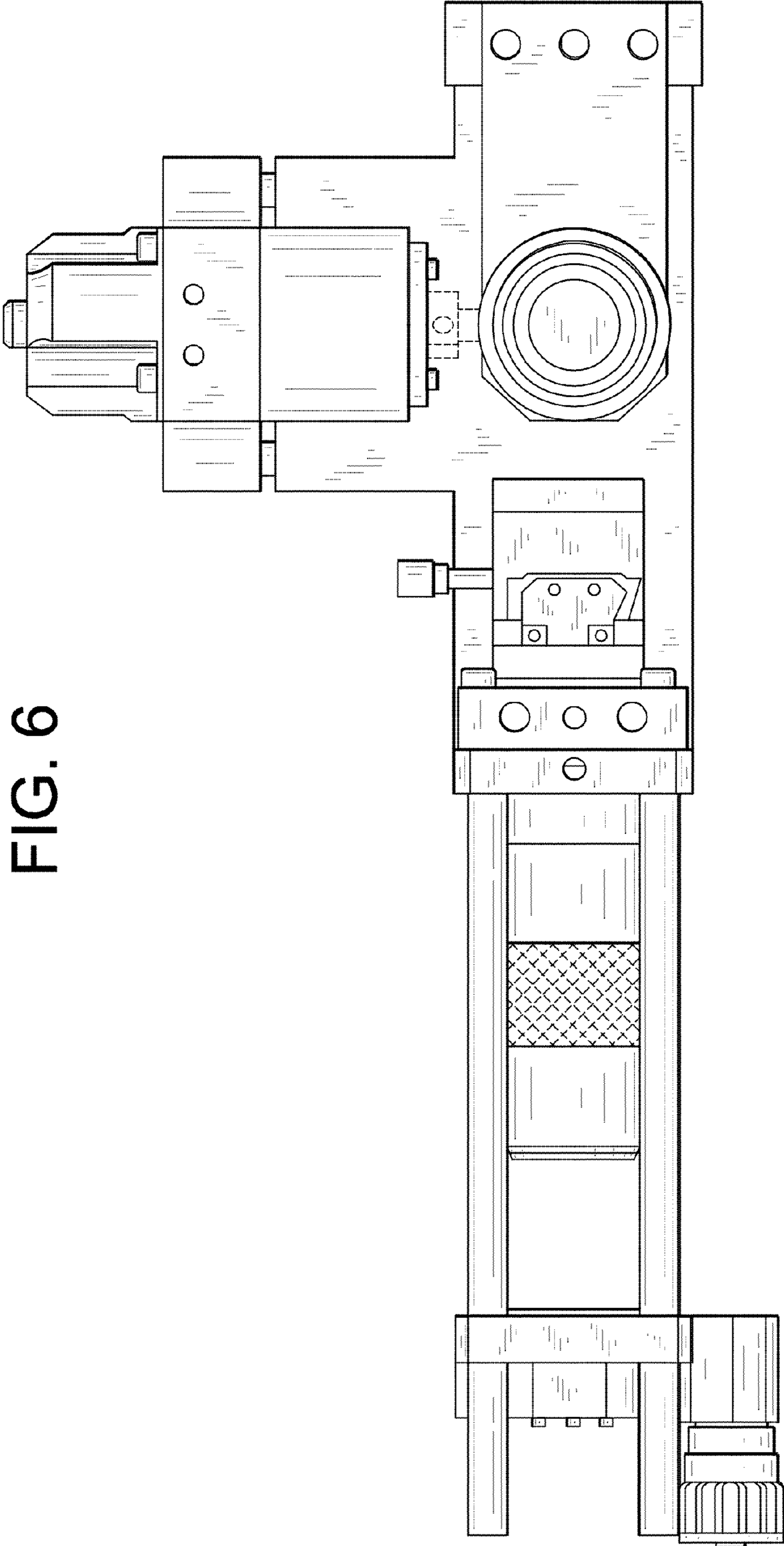


FIG. 6



FIG. 7

