



US00D603958S

(12) **United States Design Patent**
Schwartz et al.

(10) **Patent No.:** **US D603,958 S**

(45) **Date of Patent:** **** Nov. 10, 2009**

(54) **ENDOSCOPE INTUBATION DEVICE WITH A CONTROL GRIP AND A PIVOTABLE DISPLAY**

Primary Examiner—Ian Simmons
Assistant Examiner—Christopher Lee
(74) *Attorney, Agent, or Firm*—Ian C. McLeod

(75) Inventors: **John Schwartz**, Williamston, MI (US);
Richard Schwartz, Evans, GA (US);
Harsha Setty, Martinez, GA (US)

(57) **CLAIM**

The ornamental design for an endoscope intubation device with a control grip and a pivotable display, as shown and described.

(73) Assignee: **AI Medical Devices, Inc.**, Williamston, MI (US)

DESCRIPTION

(**) Term: **14 Years**

FIG. 1 is a right side view of an endoscope intubation device with a control grip and pivotable display showing our new design;

(21) Appl. No.: **29/312,314**

FIG. 2 is a front view thereof showing the display;

(22) Filed: **Oct. 14, 2008**

FIG. 3 is a left side view thereof. The broken lines in FIG. 3 are included for the purpose of illustrating a portion of the endoscope intubation device with a control grip and a pivotable display that forms no part of the claimed design.

(51) **LOC (9) Cl.** **24-02**

(52) **U.S. Cl.** **D24/138**

(58) **Field of Classification Search** D24/138,
D24/133, 137, 140; 600/120, 109, 131, 160,
600/179; 128/200.26, 207.14–207.17
See application file for complete search history.

FIG. 4 is a back view thereof showing the distal end of the tube. The broken lines in FIG. 4 are included for the purpose of illustrating a portion of the endoscope intubation device with a control grip and a pivotable display that forms no part of the claimed design.

(56) **References Cited**

U.S. PATENT DOCUMENTS

4,742,819	A *	5/1988	George	600/109
D410,286	S *	5/1999	Tamirisa	D24/138
6,539,942	B2 *	4/2003	Schwartz et al.	128/207.14
D533,939	S *	12/2006	Root et al.	D24/138
D580,549	S *	11/2008	Schwartz et al.	D24/133
7,458,375	B2 *	12/2008	Schwartz et al.	128/207.14
2008/0208000	A1 *	8/2008	Schwartz et al.	600/120
2008/0308098	A1 *	12/2008	Schwartz et al.	128/200.26

FIG. 5 is a bottom side view thereof;

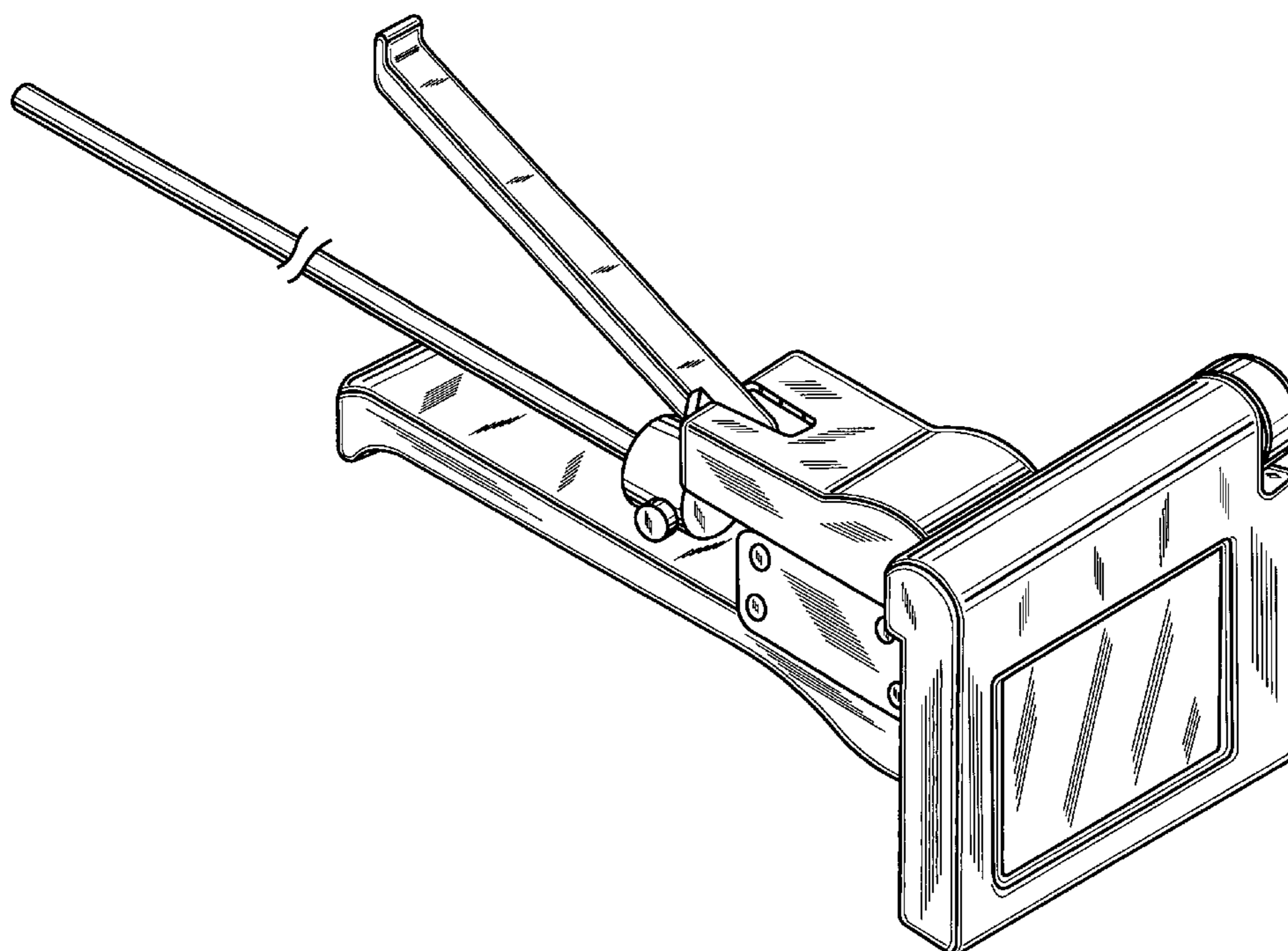
FIG. 6 is a top side view thereof; and,

FIG. 7 is a perspective view thereof.

The shaft portion in FIGS. 1, 3, 5, 6 and 7 is shown broken away to show indeterminate length and for ease of illustration.

* cited by examiner

1 Claim, 7 Drawing Sheets



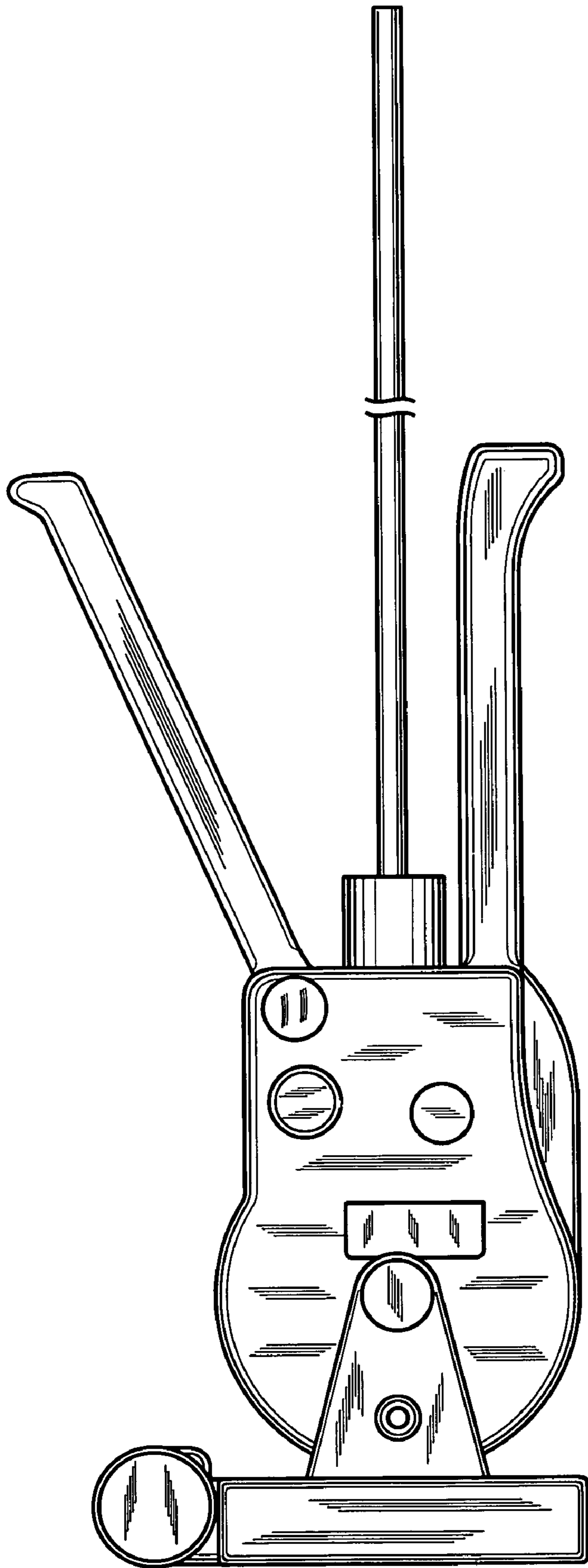


FIG. 1

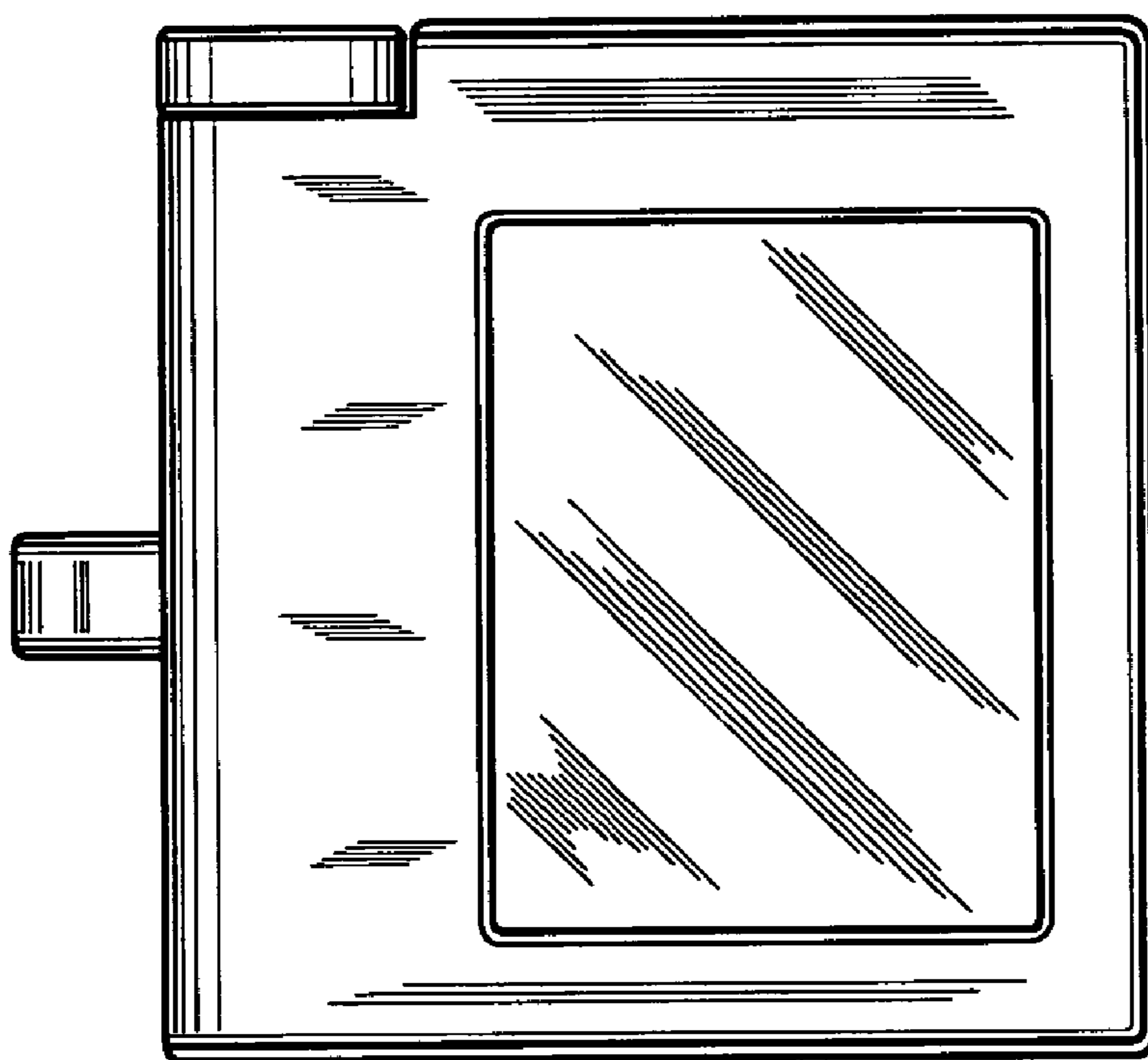


FIG. 2

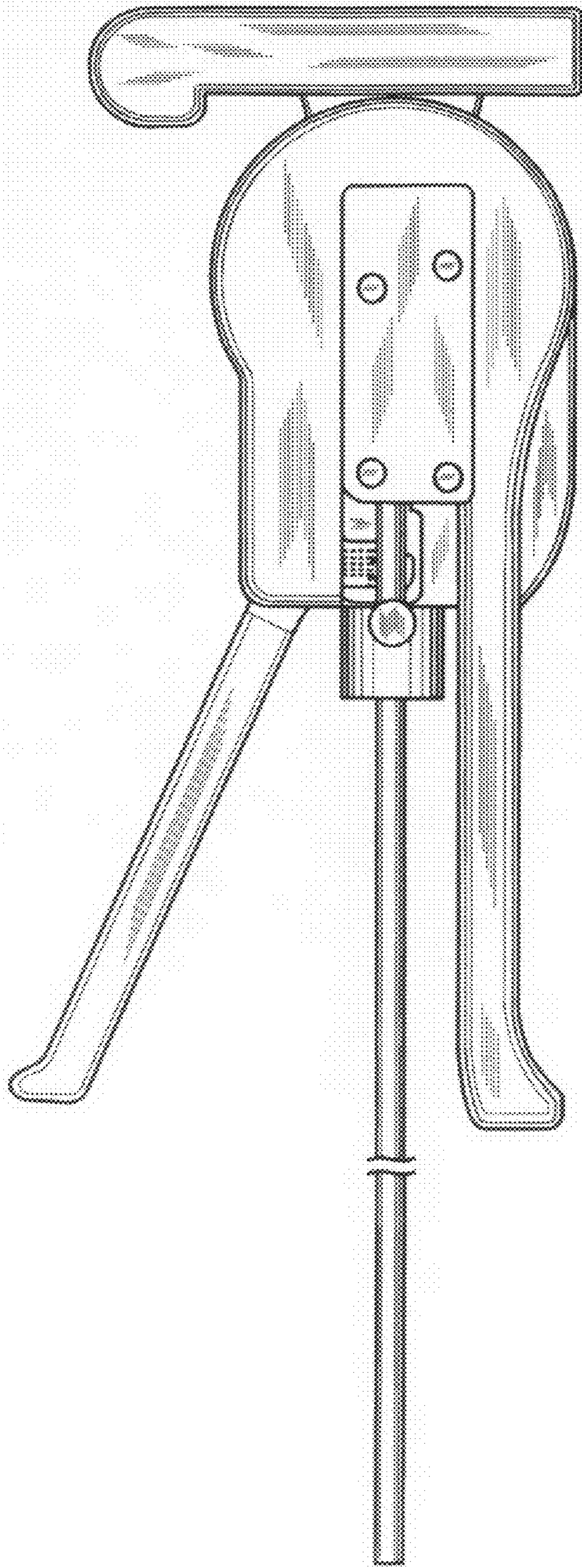


FIG. 3

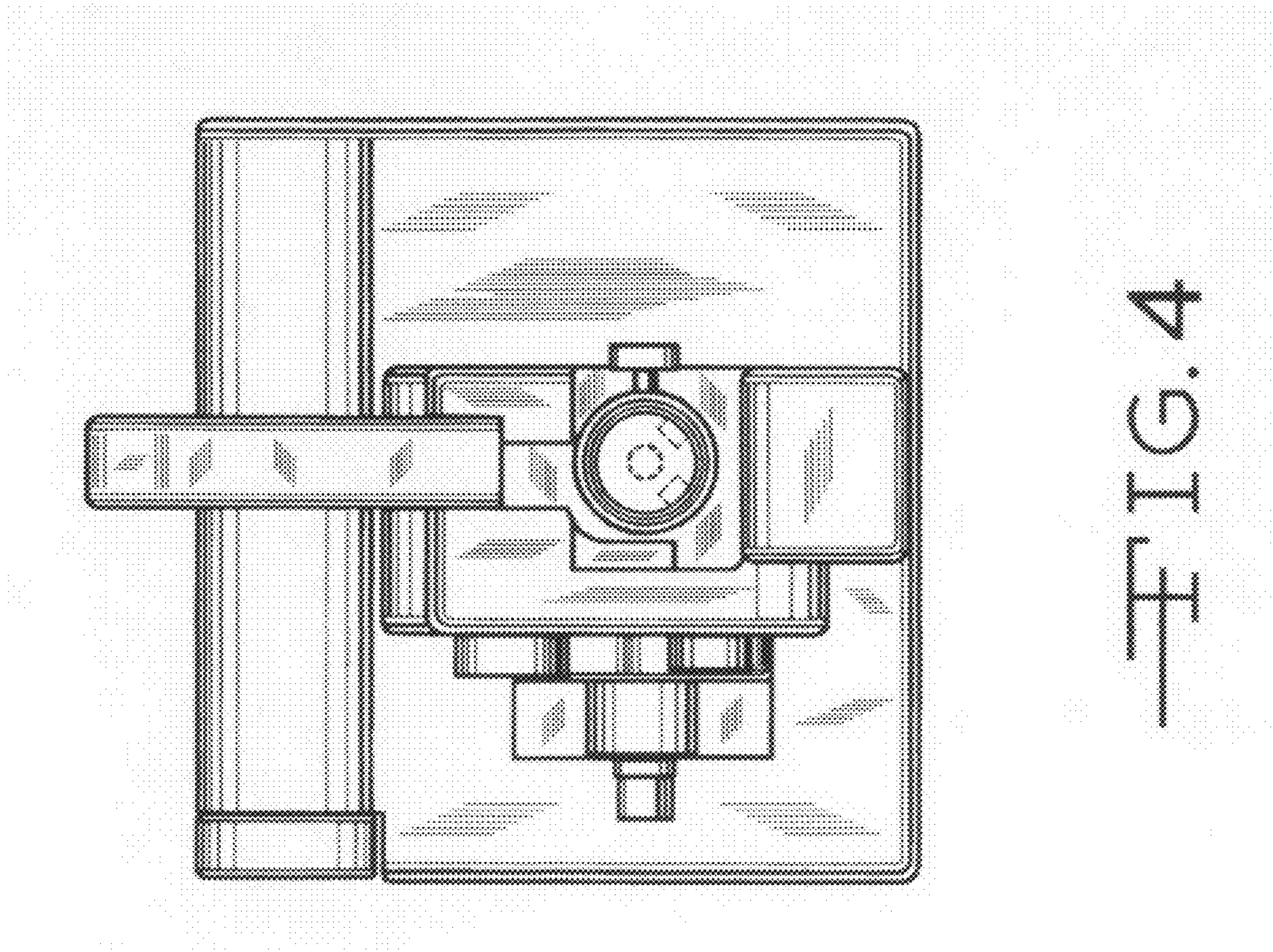


FIG. 4

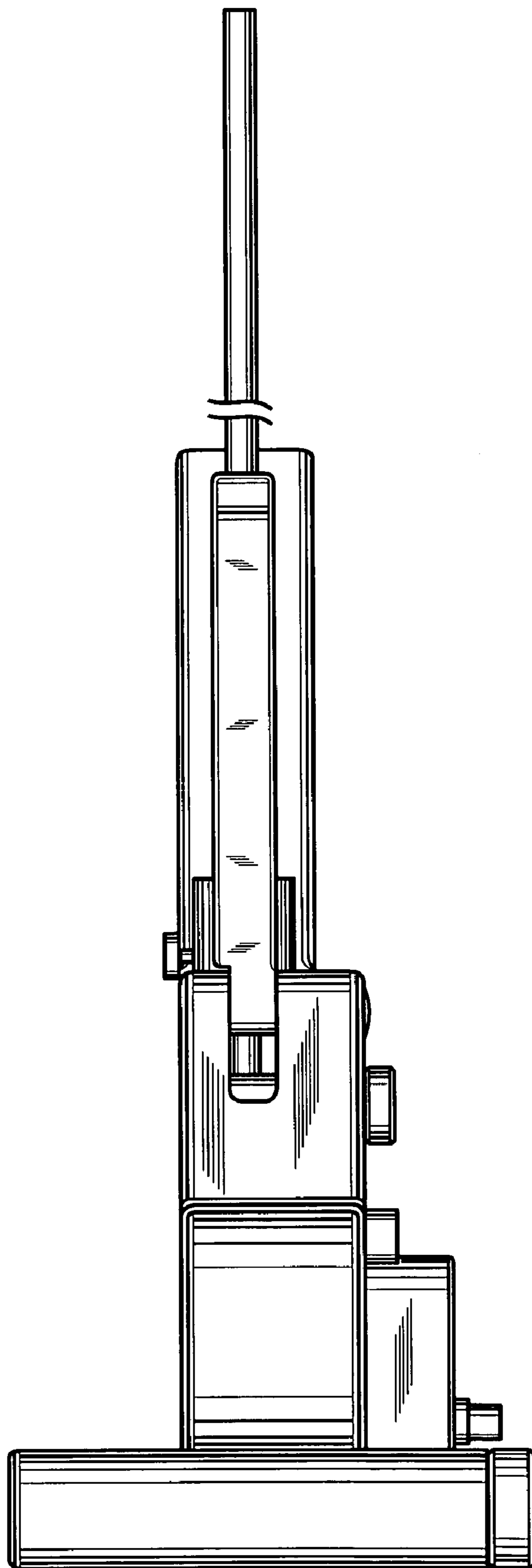


FIG. 5

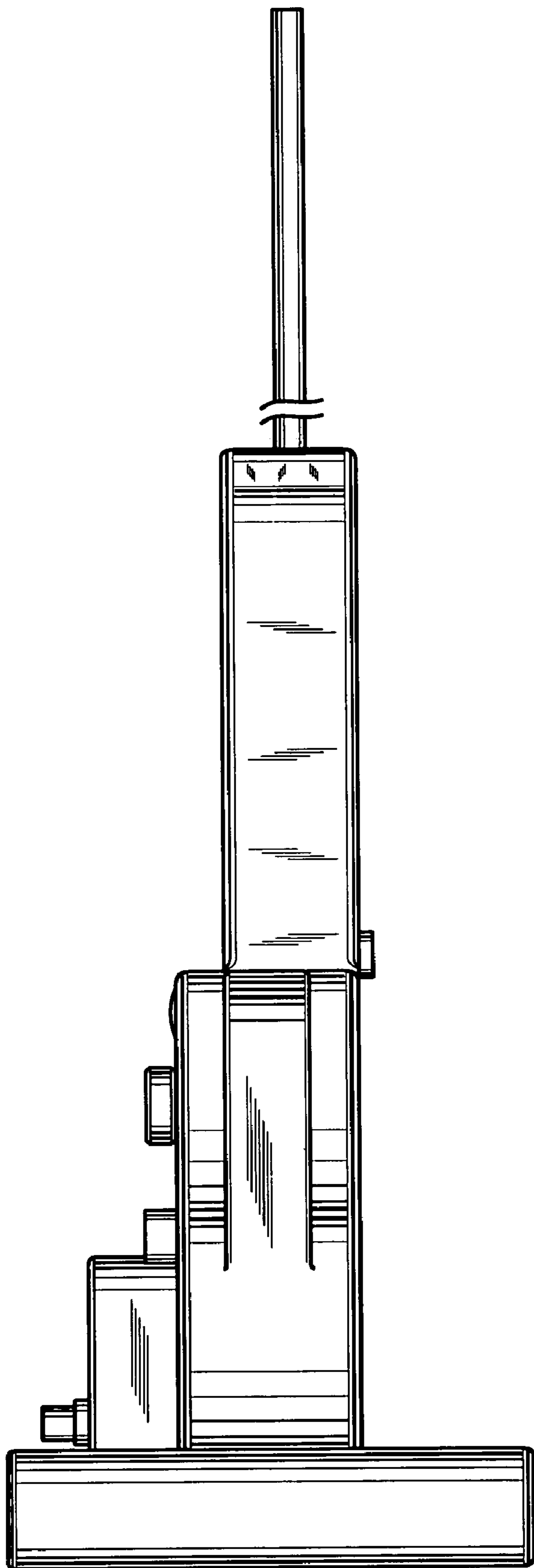


FIG. 6

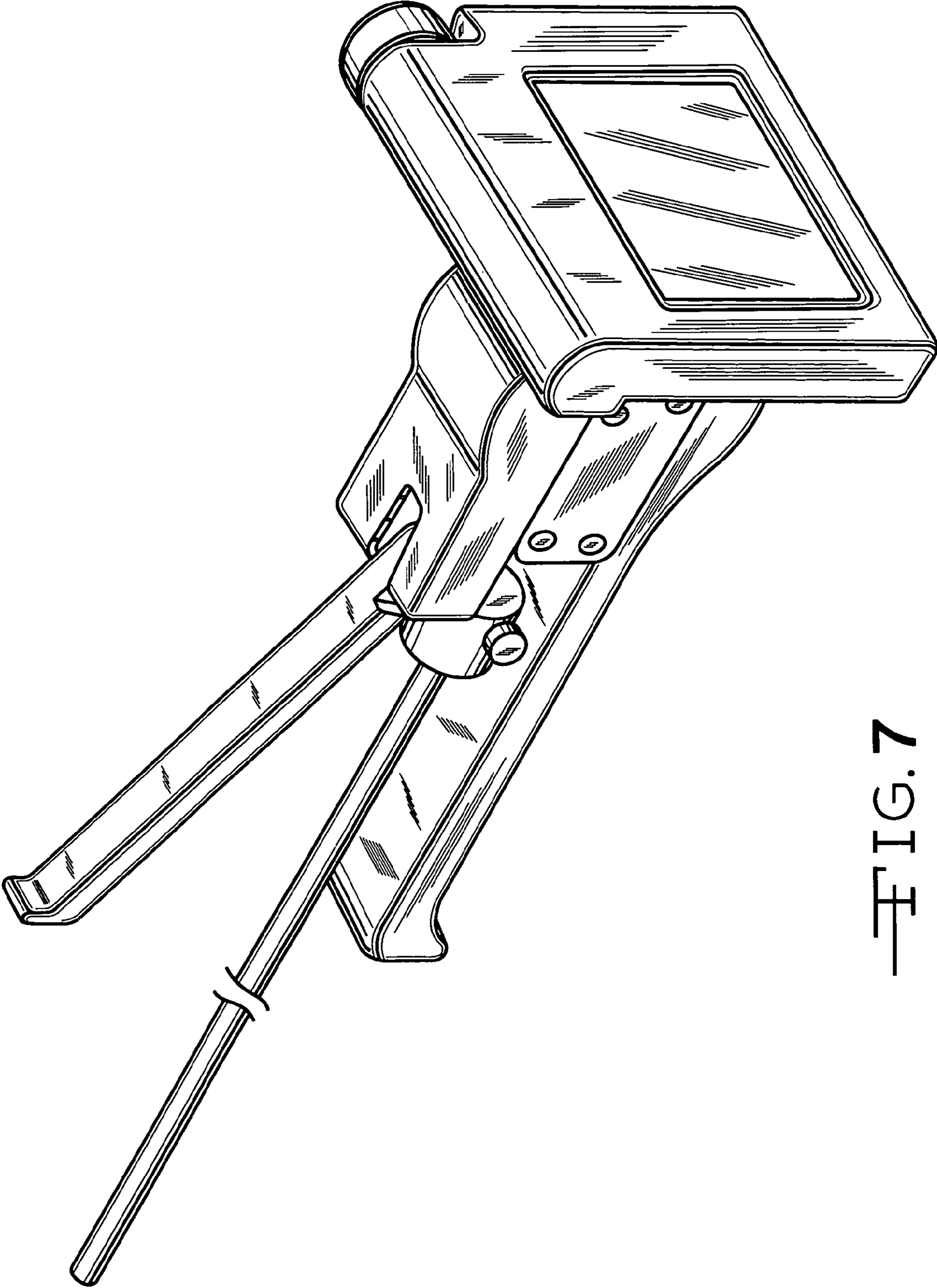


FIG. 7