



US00D603955S

(12) **United States Design Patent**  
**Patton**

(10) **Patent No.:** **US D603,955 S**

(45) **Date of Patent:** **\*\* Nov. 10, 2009**

(54) **COMBINATION CEILING FAN HOUSING AND BLADE IRONS**

(75) Inventor: **David L Patton**, Lancaster, TX (US)

(73) Assignee: **Craftmade International, Inc.**, Coppell, TX (US)

(\*\*) Term: **14 Years**

(21) Appl. No.: **29/334,297**

(22) Filed: **Mar. 24, 2009**

(51) **LOC (9) Cl.** ..... **23-04**

(52) **U.S. Cl.** ..... **D23/411**

(58) **Field of Classification Search** ..... D23/377,  
D23/379, 385, 411, 413; 416/5; D26/59,  
D26/71, 81-86, 88, 51; 362/96  
See application file for complete search history.

(56) **References Cited**

**U.S. PATENT DOCUMENTS**

D314,618 S *	2/1991	Yen	.....	D23/377
D329,087 S *	9/1992	Markwardt	.....	D23/377
D345,790 S *	4/1994	Caldwell	.....	D23/377
D428,986 S	8/2000	Dye		
D430,931 S	9/2000	Dye		
D434,491 S	11/2000	Nourse		
D435,900 S	1/2001	Dye		
D437,075 S	1/2001	Chen		
D437,927 S	2/2001	Dye		
D465,841 S	11/2002	Dye		
D479,595 S	9/2003	Curtin		
D479,596 S	9/2003	Curtin		
D479,597 S	9/2003	Curtin		
D479,873 S	9/2003	Curtin		
D479,875 S	9/2003	Curtin		
D480,129 S	9/2003	Curtin		
D480,134 S	9/2003	Wilson		
D480,465 S	10/2003	Wilson		
D481,453 S	10/2003	Dye		
D481,789 S	11/2003	Dye		

D482,116 S	11/2003	Curtin
D491,261 S	6/2004	Curtin
D492,056 S	6/2004	Curtin
D498,019 S	11/2004	Dye
D499,829 S	12/2004	Curtin
D500,879 S	1/2005	Curtin
D501,059 S	1/2005	Curtin
D501,948 S	2/2005	Curtin
D503,490 S	3/2005	Curtin
D503,824 S	4/2005	Curtin
D503,992 S	4/2005	Curtin

(Continued)

**OTHER PUBLICATIONS**

Co-pending U.S. Appl. No. 29/334,430, filed Mar. 26, 2009 titled "Ceiling Fan Housing".

(Continued)

*Primary Examiner*—Lisa P Lichtenstein  
(74) *Attorney, Agent, or Firm*—Bracewell & Giuliani LLP

(57) **CLAIM**

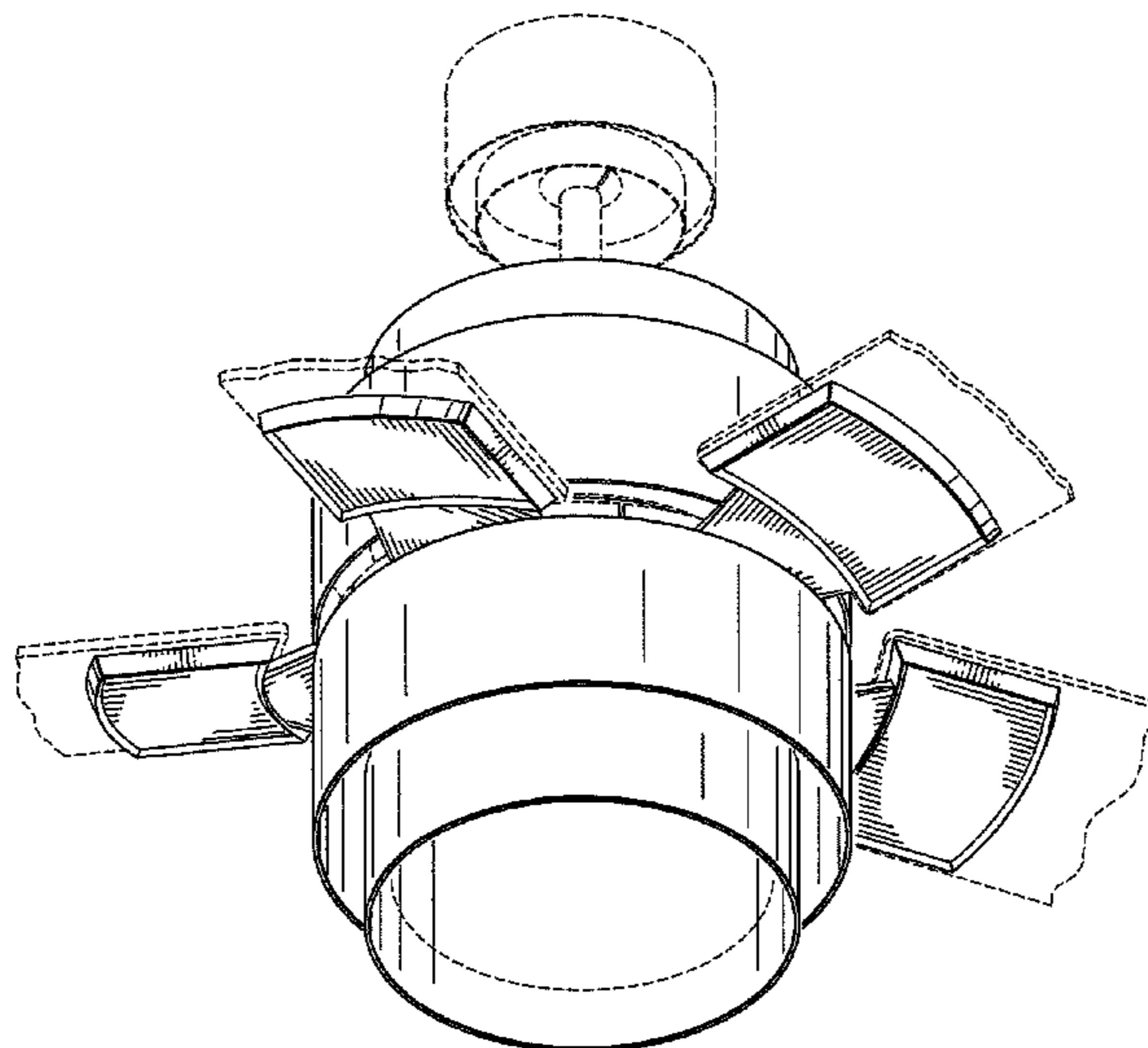
The ornamental design for a combination ceiling fan housing and blade irons, as shown and described.

**DESCRIPTION**

FIG. 1 is a perspective view of the combination ceiling fan housing and blade irons showing my new design;  
FIG. 2 is a bottom plan view thereof;  
FIG. 3 is a top plan view thereof;  
FIG. 4 is a front elevational view thereof;  
FIG. 5 is a rear elevational view thereof;  
FIG. 6 is a right side elevational view thereof; and,  
FIG. 7 is a left side elevational view thereof.

The broken lines depict environmental subject matter only and form no part of the claimed design.

**1 Claim, 7 Drawing Sheets**



# US D603,955 S

Page 2

## U.S. PATENT DOCUMENTS

D503,995 S 4/2005 Curtin  
D507,050 S 7/2005 Curtin  
D508,125 S 8/2005 Curtin  
D508,126 S 8/2005 Curtin  
6,968,953 B2 11/2005 Humphrey  
D514,242 S 1/2006 Curtin  
D514,243 S 1/2006 Curtin  
D514,244 S 1/2006 Curtin  
D522,131 S 5/2006 Dye  
D522,132 S 5/2006 Dye  
D522,644 S 6/2006 Curtin  
D523,949 S 6/2006 Curtin  
D527,092 S 8/2006 Dye  
D528,198 S 9/2006 Dye  
D528,647 S 9/2006 Dye  
D530,004 S 10/2006 Curtin  
D532,101 S 11/2006 Curtin  
D532,106 S 11/2006 Curtin  
D536,438 S 2/2007 Curtin  
D544,132 S 6/2007 Curtin  
D548,874 S 8/2007 Curtin  
D549,381 S 8/2007 Curtin  
D551,382 S 9/2007 Curtin  
D553,285 S 10/2007 Curtin  
D553,785 S 10/2007 Dye  
D553,786 S 10/2007 Dye  
D556,318 S 11/2007 Curtin  
D556,887 S 12/2007 Curtin  
D556,888 S 12/2007 Curtin  
D556,889 S 12/2007 Curtin  
D556,890 S 12/2007 Brookins  
D556,891 S 12/2007 Brookins  
D556,944 S 12/2007 Brookins  
D557,400 S 12/2007 Curtin  
D557,793 S 12/2007 Curtin  
D557,794 S 12/2007 Curtin  
D563,033 S 2/2008 Brookins  
D563,034 S 2/2008 Curtin  
D563,592 S 3/2008 Brookins

D567,357 S 4/2008 Curtin  
D567,358 S 4/2008 Curtin  
D567,359 S 4/2008 Teiber  
D567,360 S 4/2008 Curtin  
D570,987 S \* 6/2008 Hidalgo ..... D23/377  
D571,909 S 6/2008 Curtin  
D573,246 S 7/2008 Teiber  
D584,397 S 1/2009 Curtin  
D585,974 S 2/2009 Curtin

## OTHER PUBLICATIONS

Co-pending U.S. Appl. No. 29/334,426, filed Mar. 26, 2009 titled "Light Fixture".  
Co-pending U.S. Appl. No. 29/334,316, filed Mar. 24, 2009 titled "Ceiling Fan Housing".  
Co-pending U.S. Appl. No. 29/334,309, filed Mar. 24, 2009 titled "Ceiling Fan Blade Iron".  
Co-pending U.S. Appl. No. 29/334,304, filed Mar. 24, 2009 titled "Ceiling Fan Housing".  
Co-pending U.S. Appl. No. 29/334,299, filed Mar. 24, 2009 titled "Ceiling Fan Blade Iron".  
Co-pending U.S. Appl. No. 29/334,413, filed Mar. 26, 2009 titled "Ceiling Fan Blade Iron".  
Co-pending U.S. Appl. No. 29/334,291, filed Mar. 24, 2009 titled "Ceiling Fan Blade Iron".  
Co-pending U.S. Appl. No. 29/334,284, filed Mar. 24, 2009 titled "Ceiling Fan Housing".  
Co-pending U.S. Appl. No. 29/334,283, filed Mar. 24, 2009 titled "Ceiling Fan Housing".  
Co-pending U.S. Appl. No. 29/334,279, filed Mar. 24, 2009 titled "Ceiling Fan Blade Iron".  
Co-pending U.S. Appl. No. 29/334,236, filed Mar. 23, 2009 titled "Ceiling Fan Housing".  
Co-pending U.S. Appl. No. 29/263,485, filed Jul. 24, 2006 titled "Fixture Support Member".  
Co-pending U.S. Appl. No. 12/004,725, filed Dec. 21, 2007 titled "Light Fixture and Sleeve Candlestick Adapter".  
Co-pending U.S. Appl. No. 11/472,154, filed Jun. 21, 2006 titled "Fixture Support Member Assembly".

\* cited by examiner

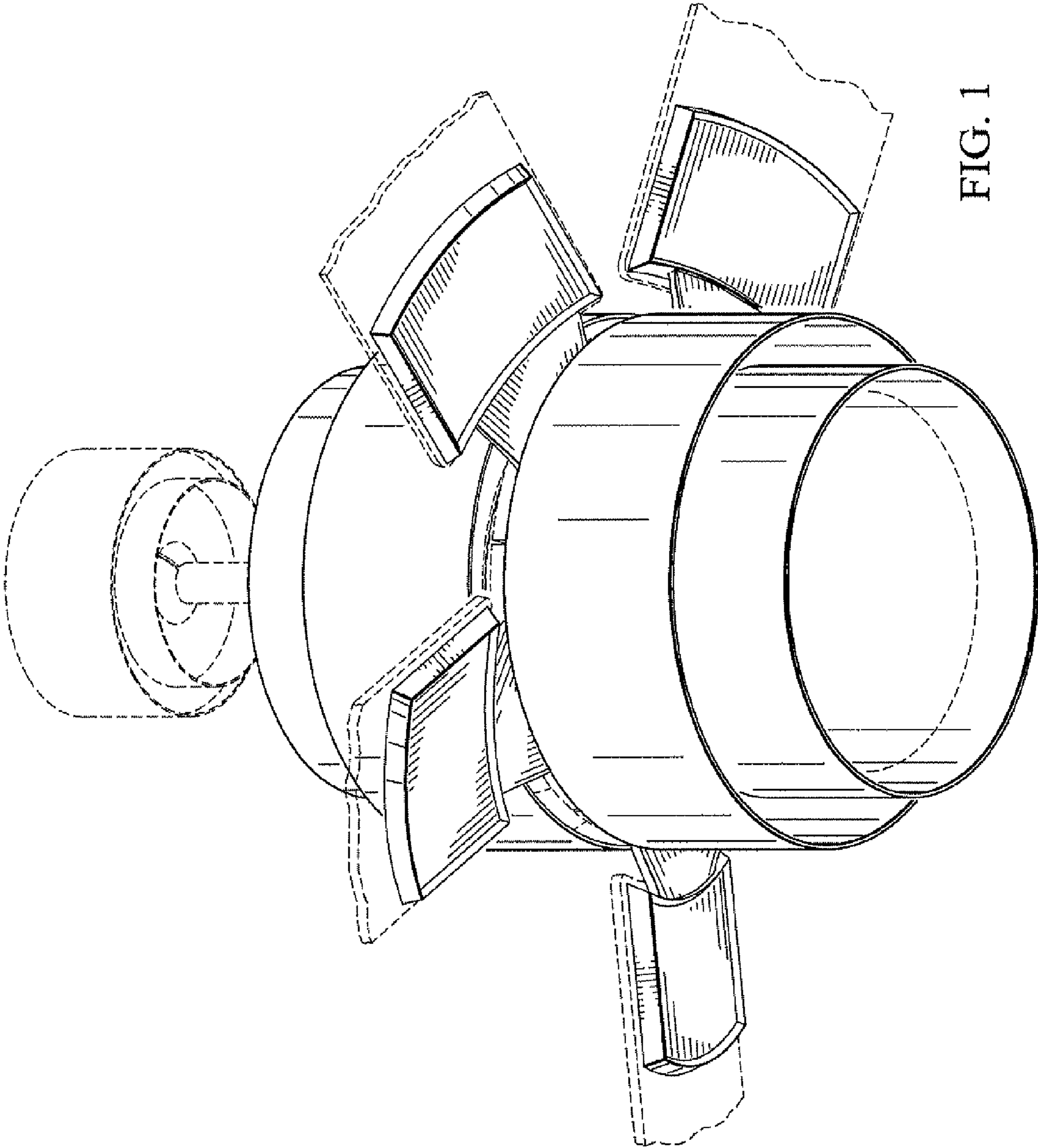


FIG. 1

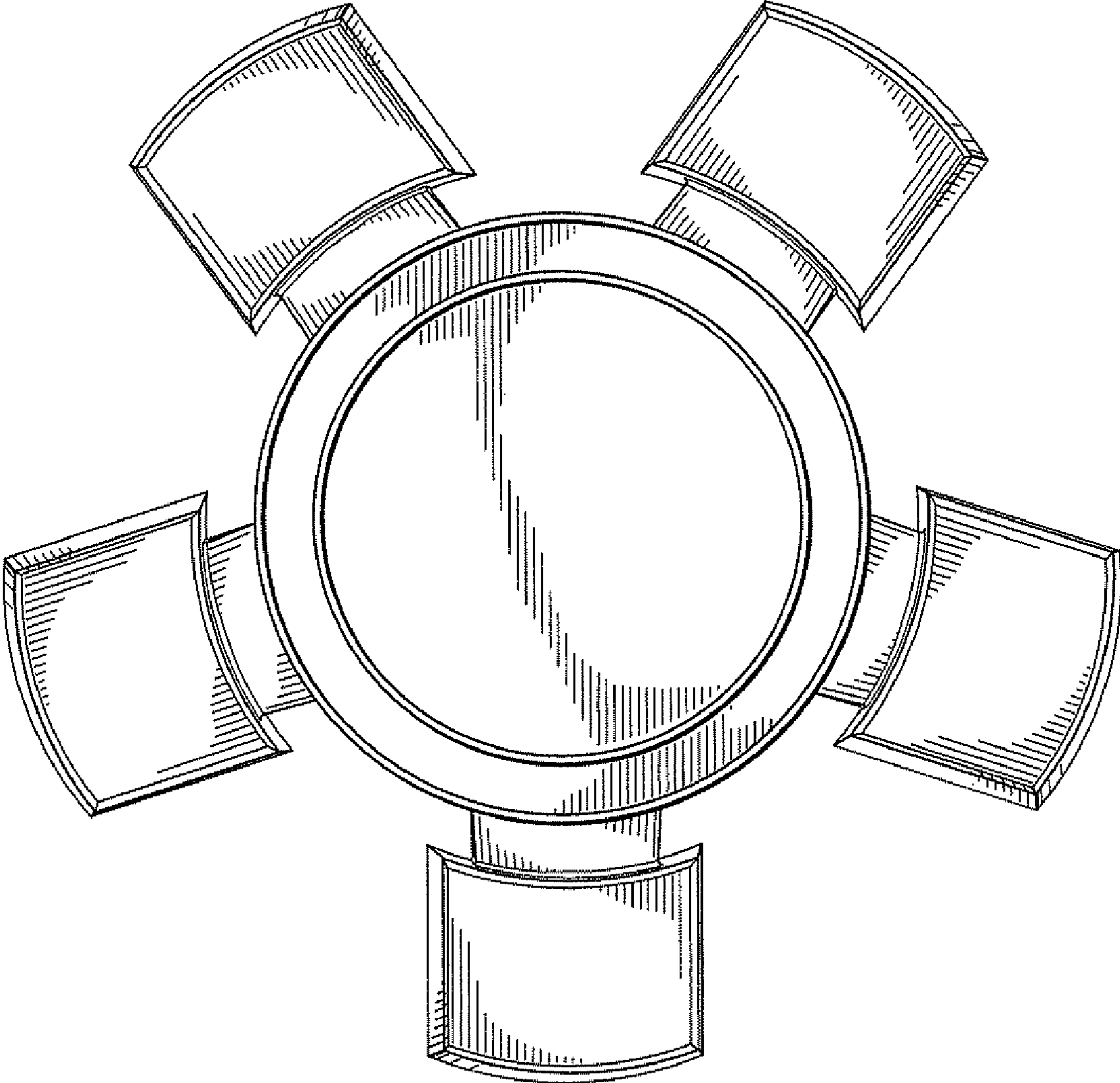


FIG. 2

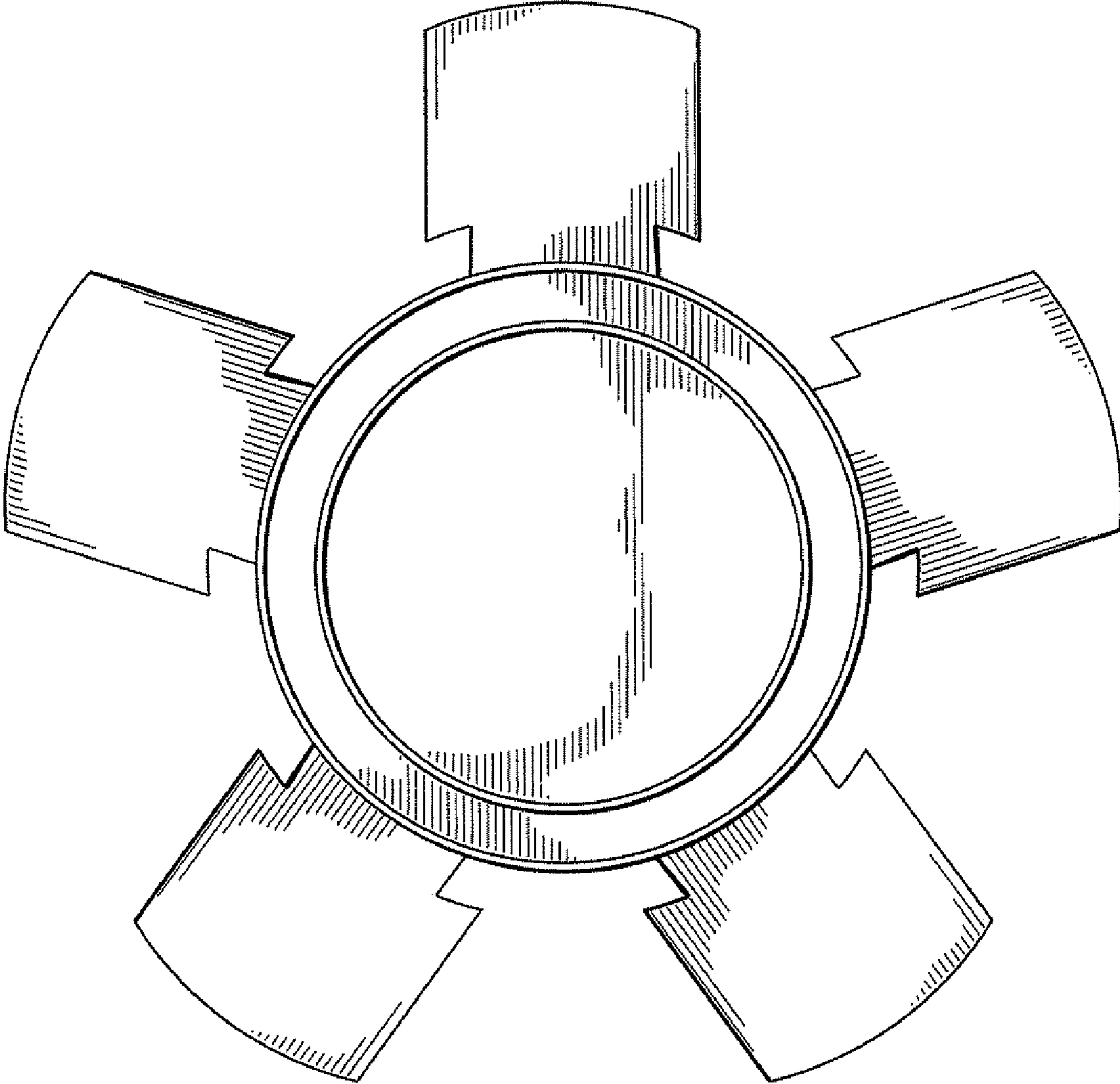


FIG. 3

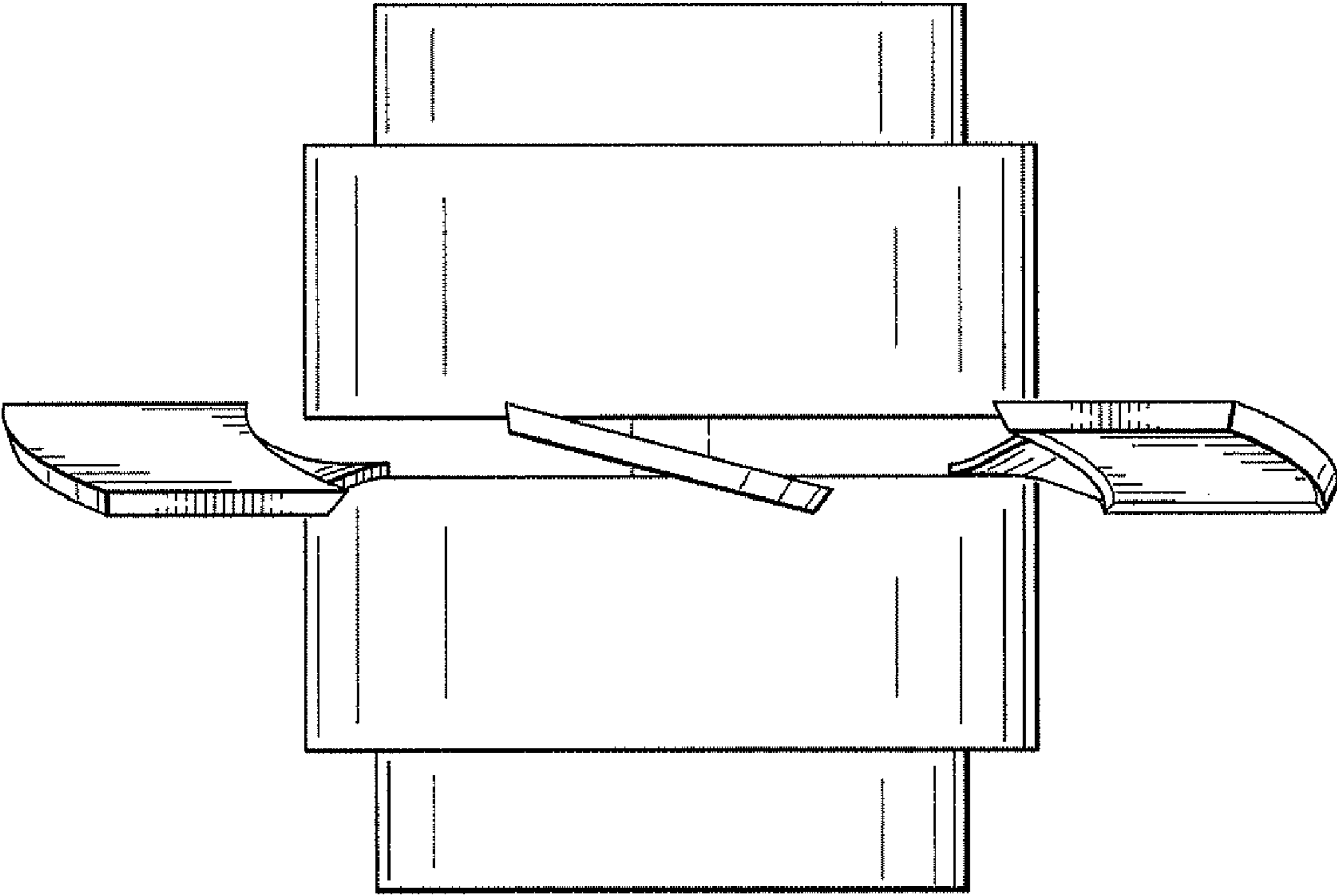


FIG. 4

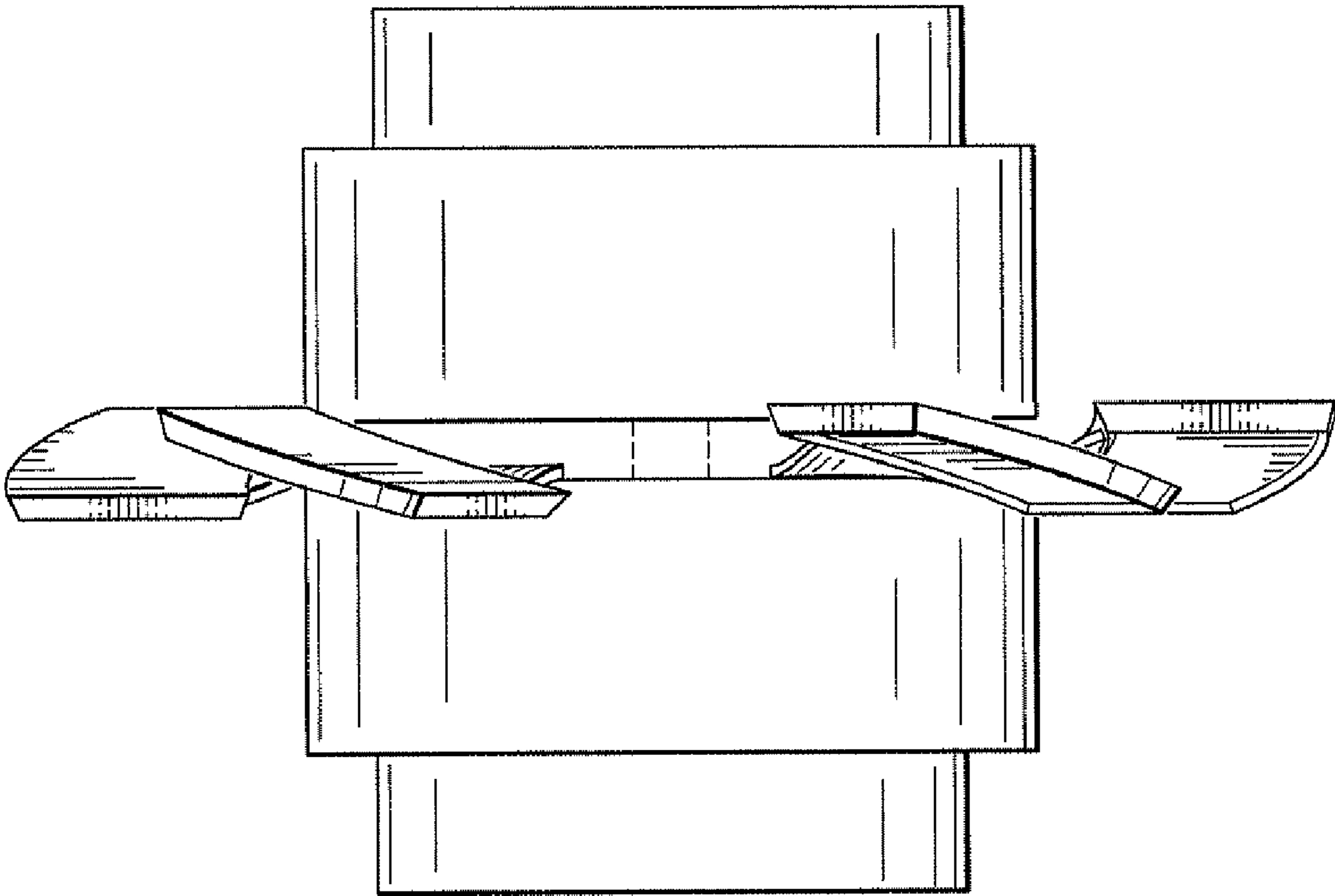


FIG. 5

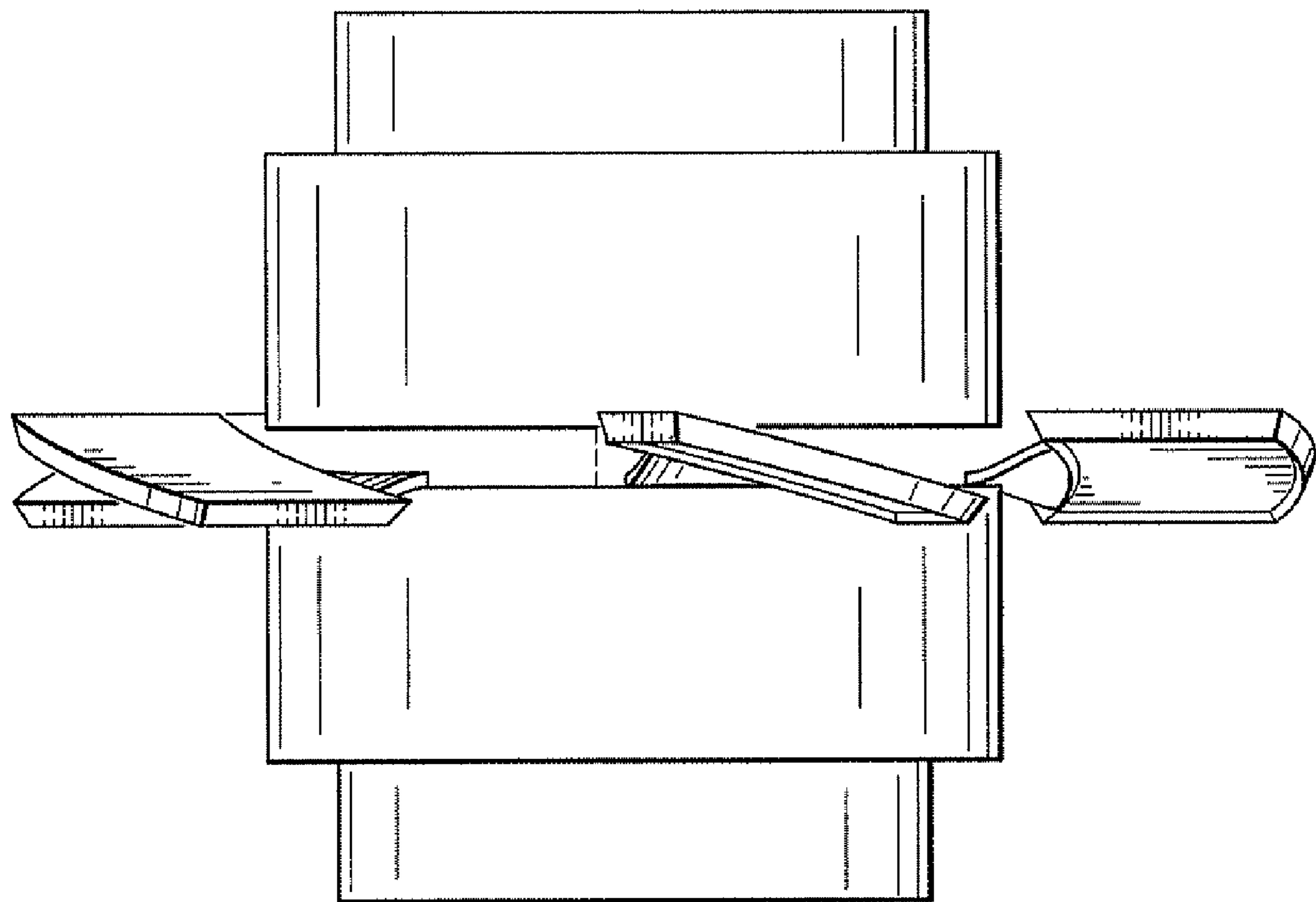


FIG. 6



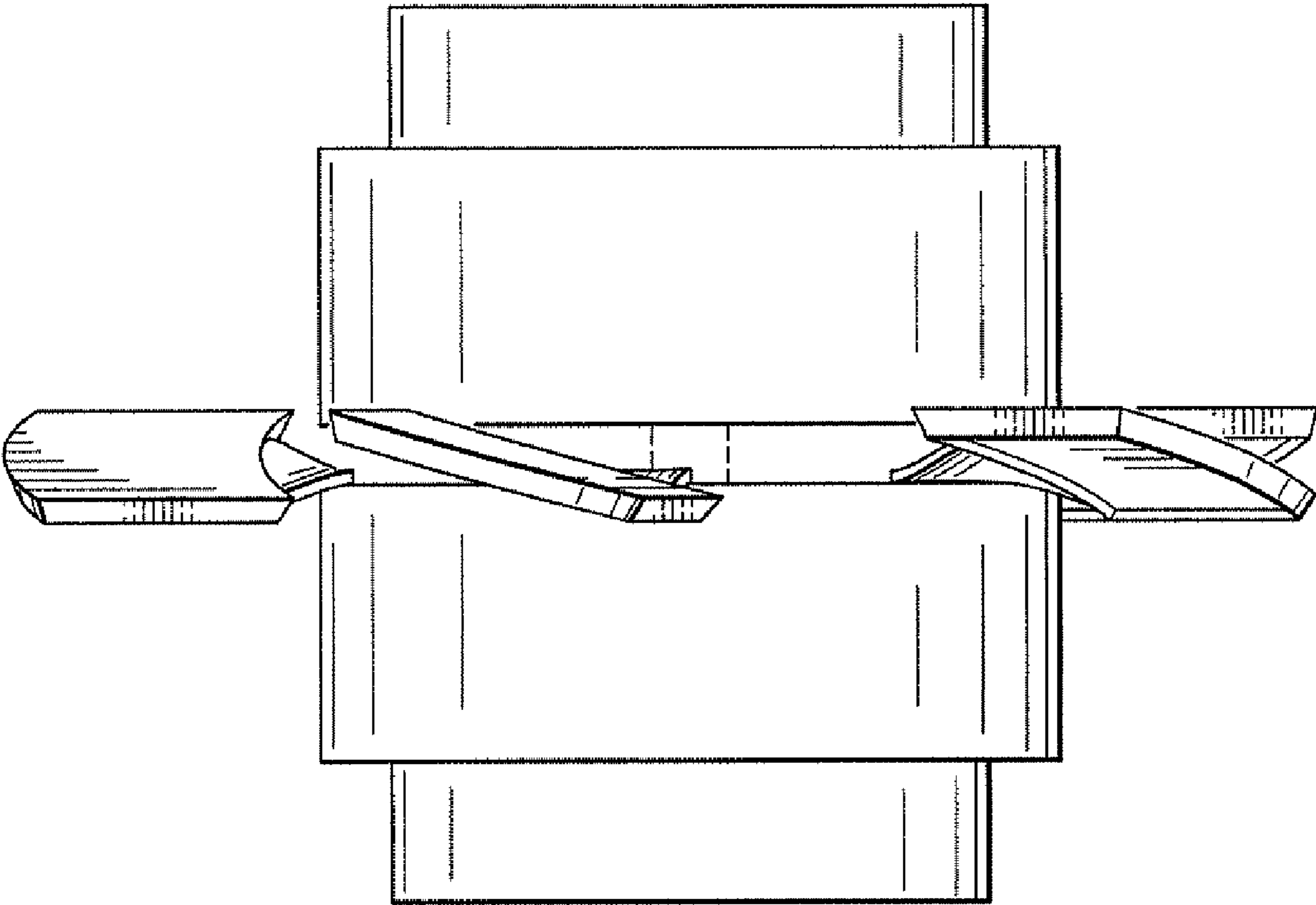


FIG. 7