



US00D603952S

(12) **United States Design Patent**  
**Bucher et al.**

(10) **Patent No.:** **US D603,952 S**  
(45) **Date of Patent:** **\*\* Nov. 10, 2009**

(54) **TOWER FAN WITH AN UPPER HOLDER**

(75) Inventors: **John C. Bucher**, Hillsboro Bch, FL (US); **Chad Ricker**, North Lauderdale, FL (US)

(73) Assignee: **Chien Luen Industries Co., Ltd., Inc.**, Oakland Park, FL (US)

(\*\*) Term: **14 Years**

(21) Appl. No.: **29/310,328**

(22) Filed: **Aug. 8, 2008**

**Related U.S. Application Data**

(62) Division of application No. 29/262,386, filed on Jun. 30, 2006, now Pat. No. Des. 583,924.

(51) **LOC (9) Cl.** ..... **23-04**

(52) **U.S. Cl.** ..... **D23/378**

(58) **Field of Classification Search** ..... D23/378,  
D23/332, 381, 335, 337, 336, 370, 382; 416/246,  
416/247 R; D9/715, 428

See application file for complete search history.

(56) **References Cited**

**U.S. PATENT DOCUMENTS**

D322,669 S	12/1991	Yamamoto et al.	
D329,284 S	9/1992	Patton	
D423,093 S	4/2000	Fok	
D459,467 S	6/2002	Wilson, Jr.	
D464,723 S	10/2002	Fok	
D479,593 S	9/2003	Fok	
D479,874 S	9/2003	Shapiro	
D482,778 S	11/2003	Shapiro	
D483,466 S	12/2003	Shapiro	
D484,234 S	12/2003	Wilson, Jr.	
D486,216 S	2/2004	Wilson, Jr.	
D486,217 S	2/2004	Shapiro	
D486,218 S	2/2004	Shapiro	
D486,222 S	2/2004	Shapiro	
D488,551 S	4/2004	Shapiro	
D522,124 S	5/2006	Bucher et al.	
D545,674 S	7/2007	Miselli et al.	
D583,924 S *	12/2008	Bucher et al. ....	D23/378

\* cited by examiner

*Primary Examiner*—Lisa P Lichtenstein

(74) *Attorney, Agent, or Firm*—Brian S. Steinberger; Law Offices of Brian S. Steinberger, P.A.

(57) **CLAIM**

The ornamental design for a tower fan with an upper holder, as shown and described.

**DESCRIPTION**

FIG. 1 is a left front side perspective view of a tower fan with an upper holder.

FIG. 2 is a right front perspective view of the novel floor fan tower design of FIG. 1.

FIG. 3 is a left rear perspective view of the novel floor fan tower design of FIG. 1.

FIG. 4 is a right rear perspective view of the novel floor fan tower design of FIG. 1.

FIG. 5 is a front view of the novel floor fan tower design of FIG. 1.

FIG. 6 is a right side view of the novel floor fan tower design of FIG. 1.

FIG. 7 is a left side view of the novel floor fan tower design of FIG. 1.

FIG. 8 is a rear view of the novel floor fan tower design of FIG. 1.

FIG. 9 is an enlarged upper front right view of the novel floor fan tower design of FIG. 1.

FIG. 10 is an enlarged upper front view of the novel floor fan tower design of FIG. 1.

FIG. 11 is an enlarged top view of the novel floor fan tower design of FIG. 1; and,

FIG. 12 is an enlarged bottom view of the novel floor fan tower design of FIG. 1.

The broken line showing of the side seams, the grills, the bottom and the flower vase with flowers is included for the purpose of illustrating environmental structure and forms no part of the claimed design.

**1 Claim, 11 Drawing Sheets**

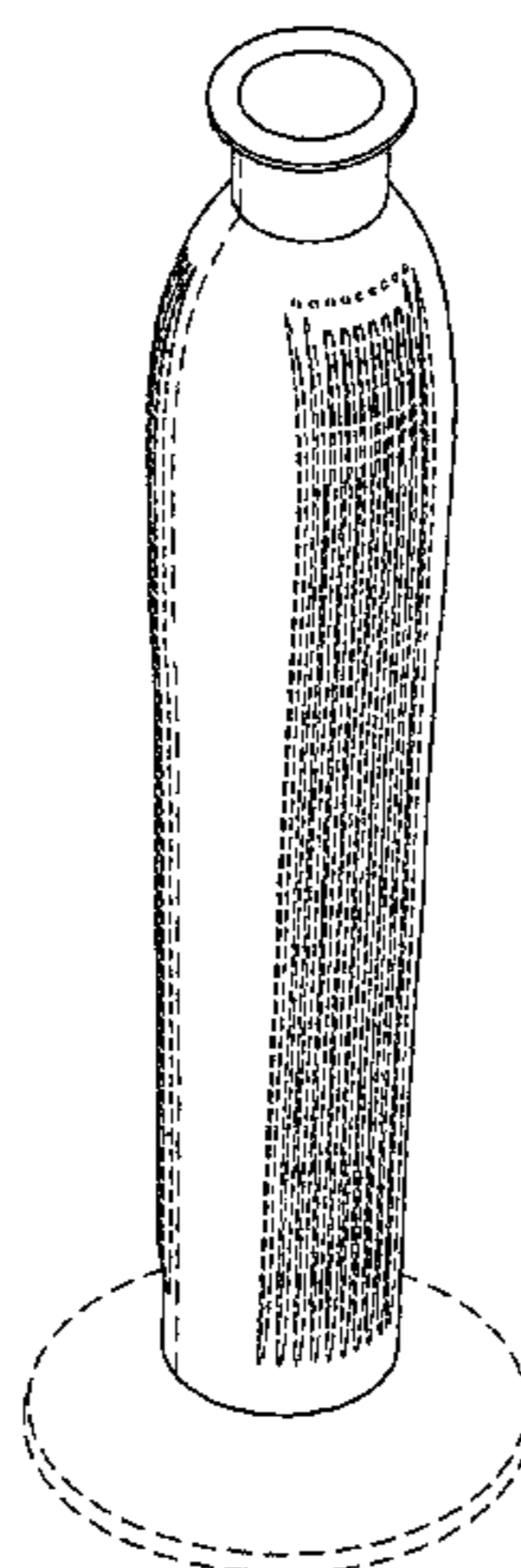


FIG. 1

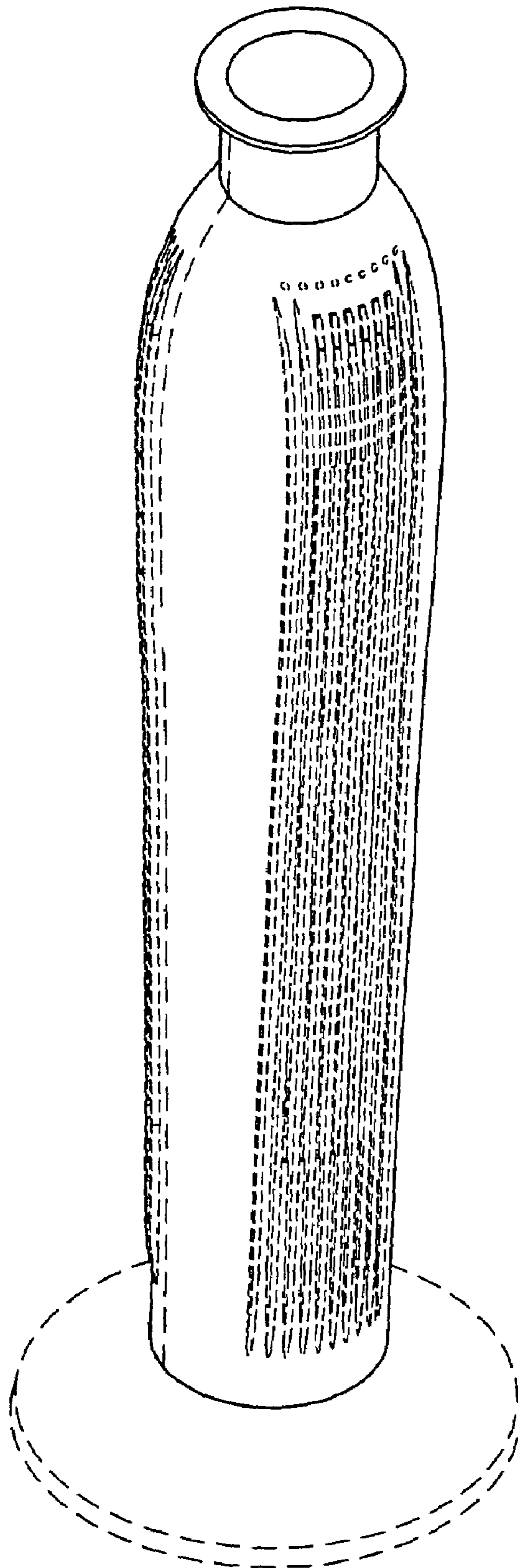


FIG. 2

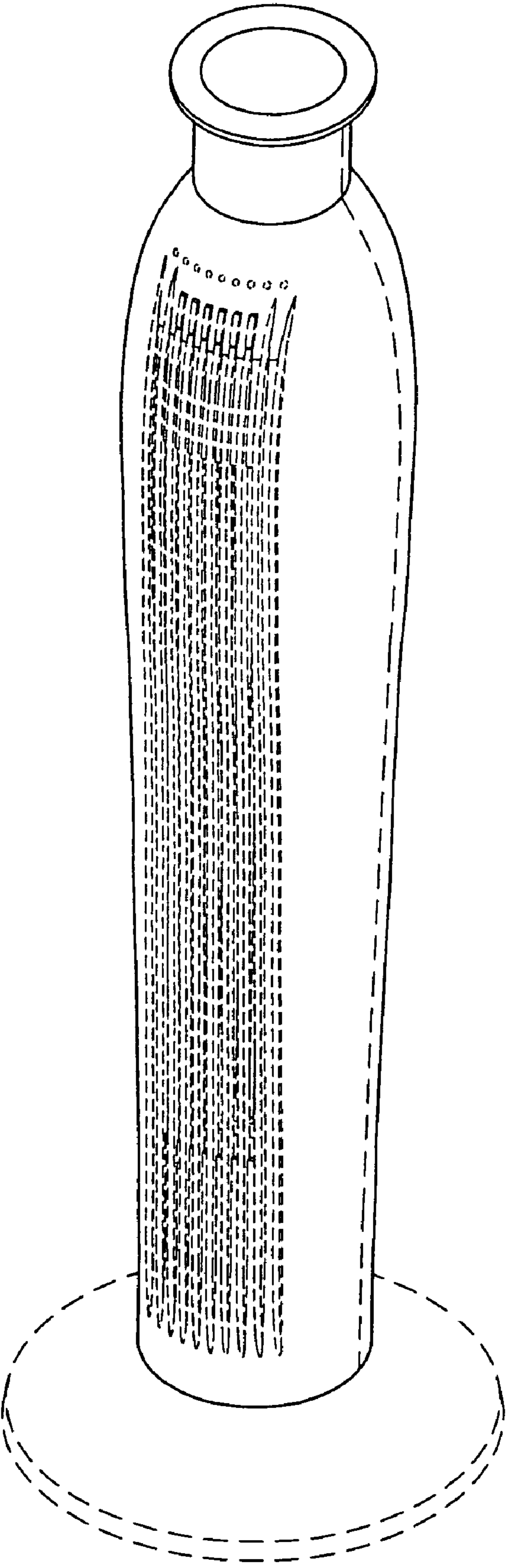


FIG. 3

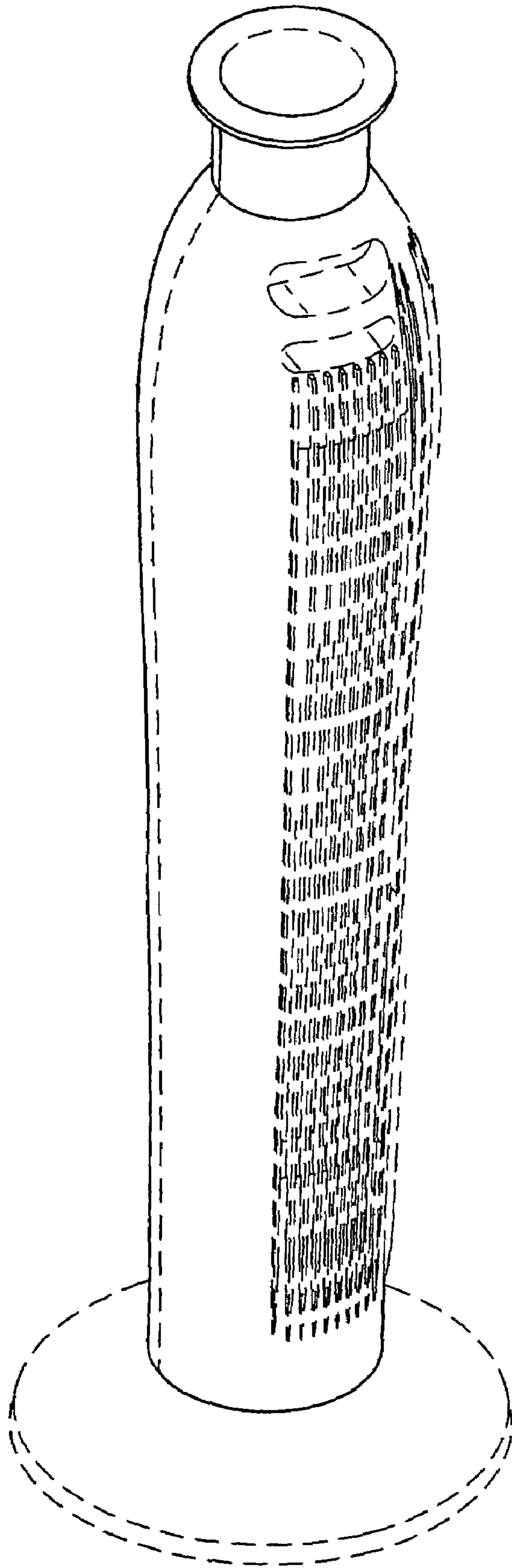


FIG. 4

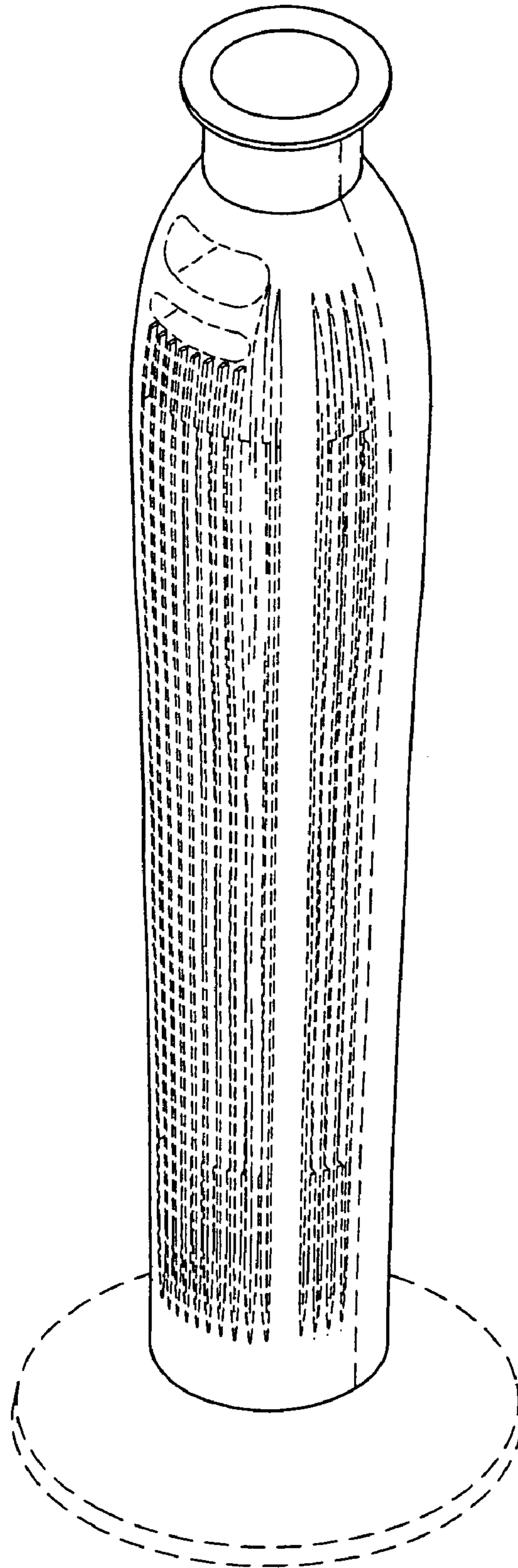


FIG. 5

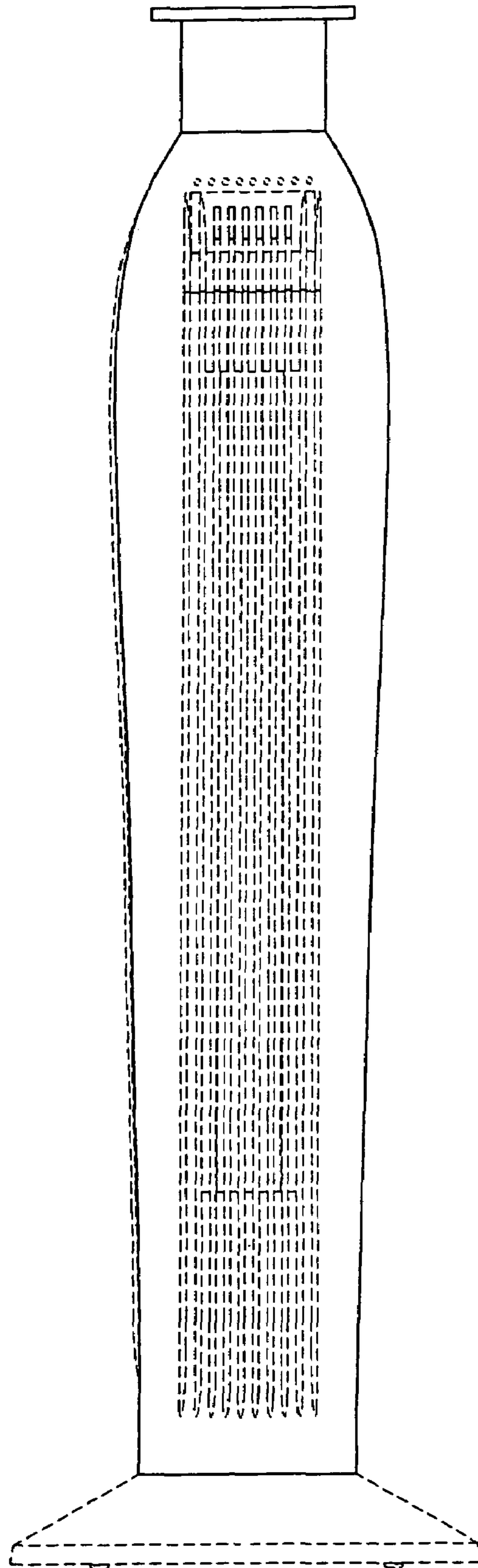


FIG. 6

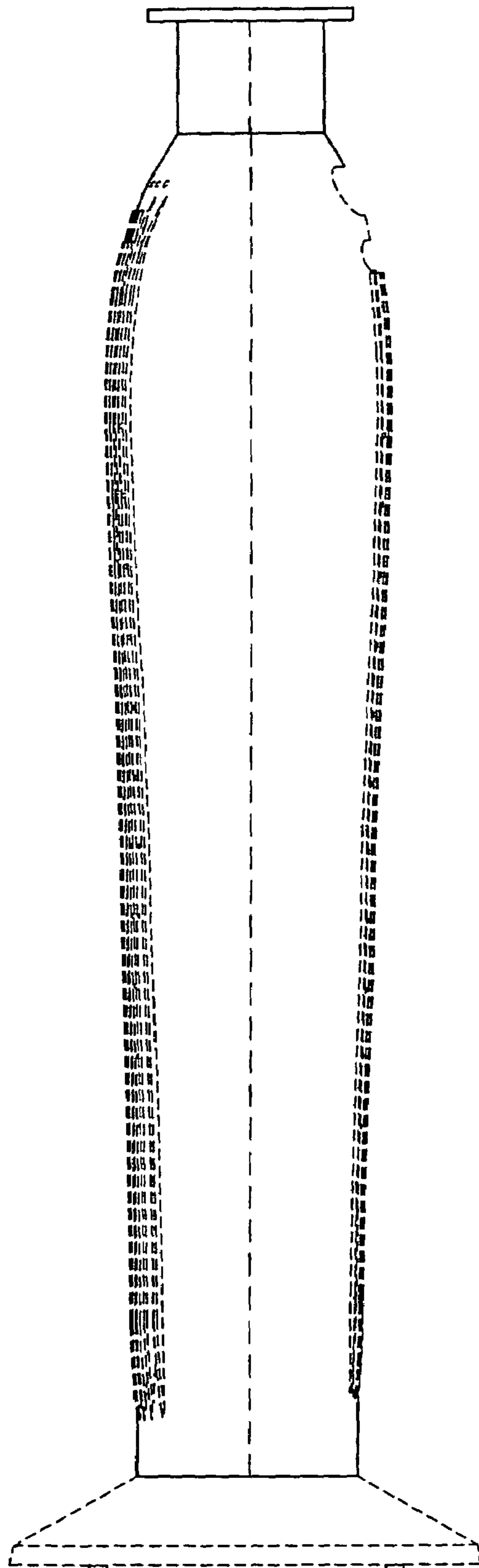


FIG. 7

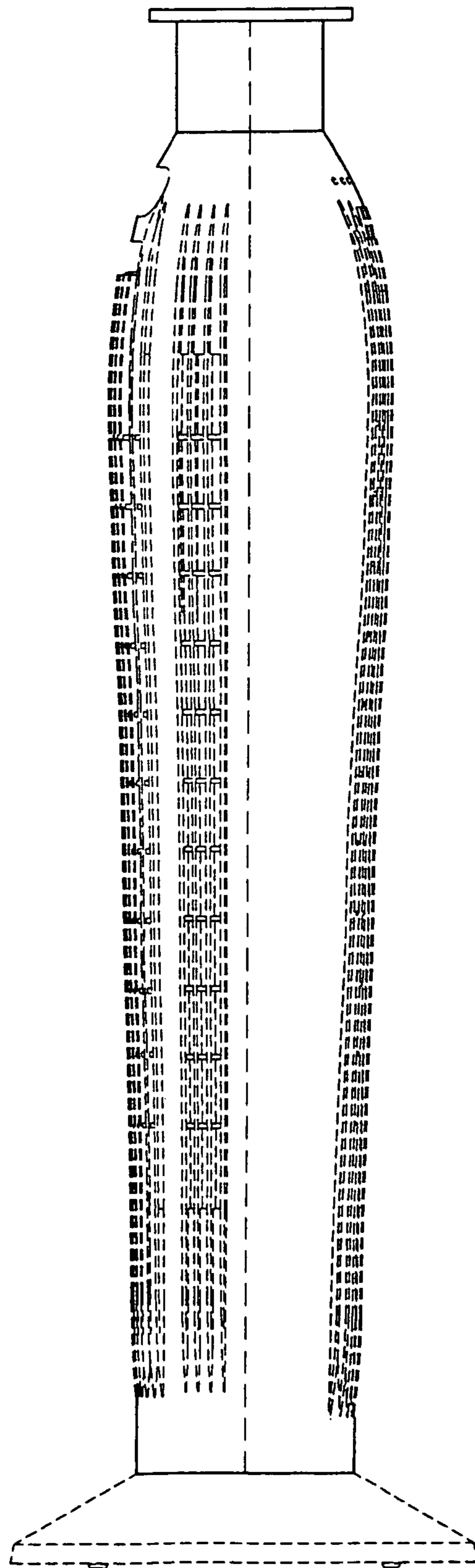




FIG. 8

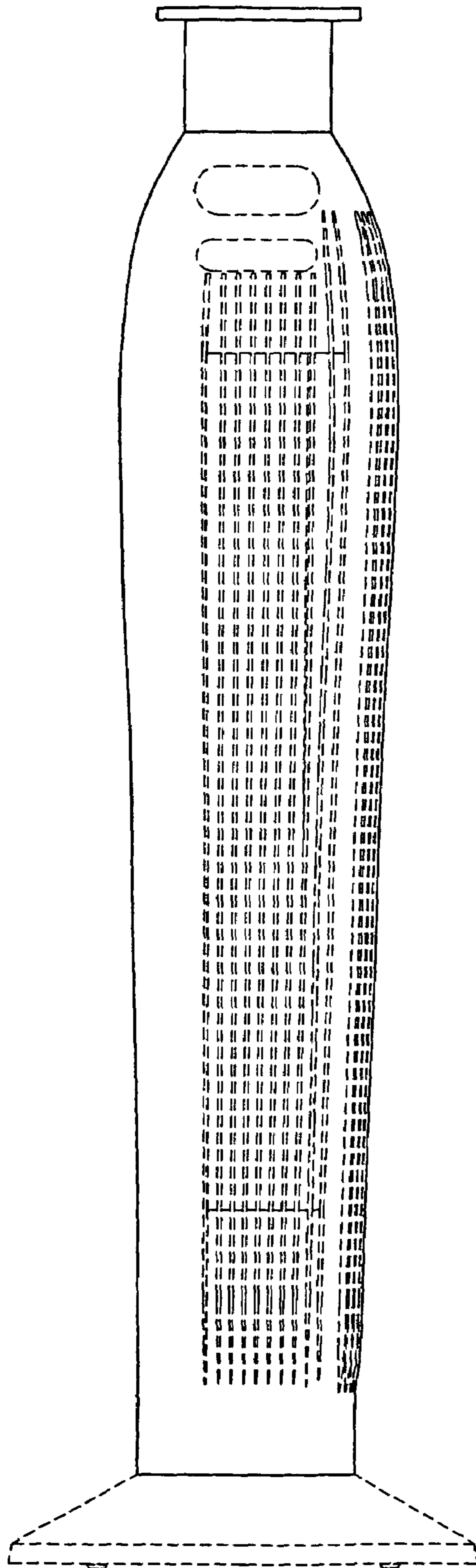


FIG. 9

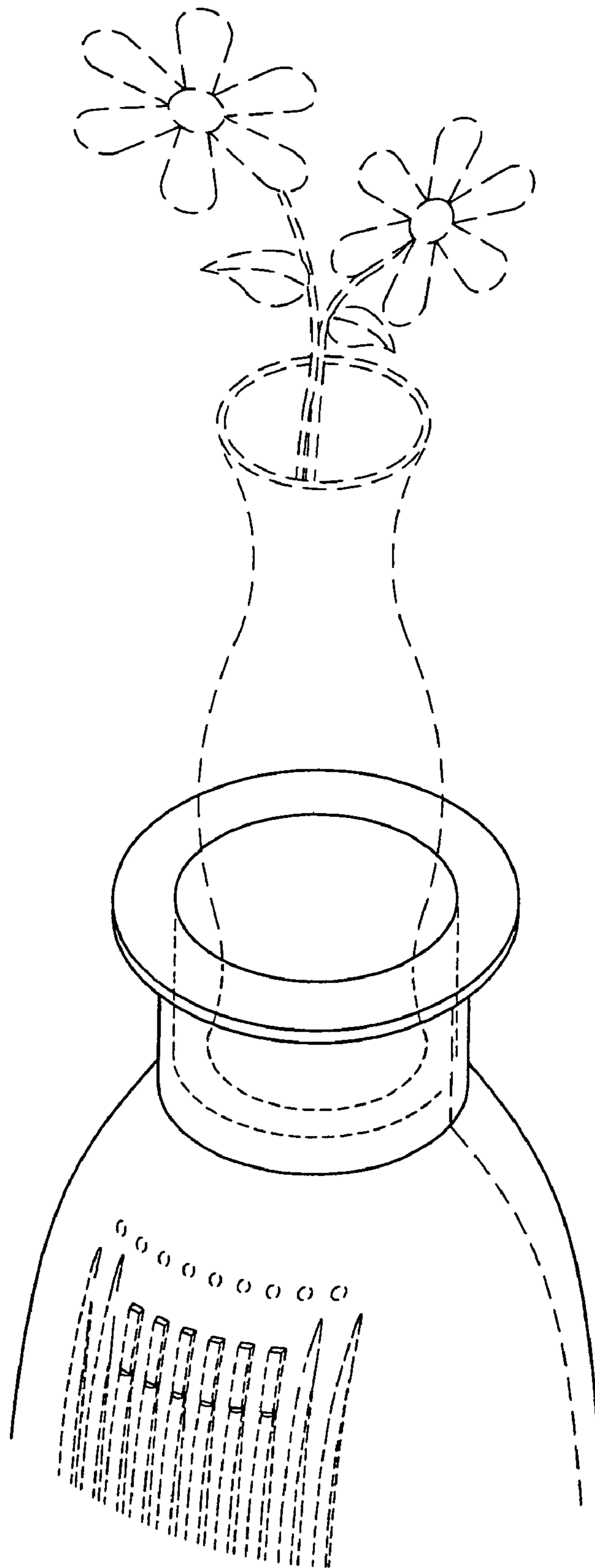


FIG. 10

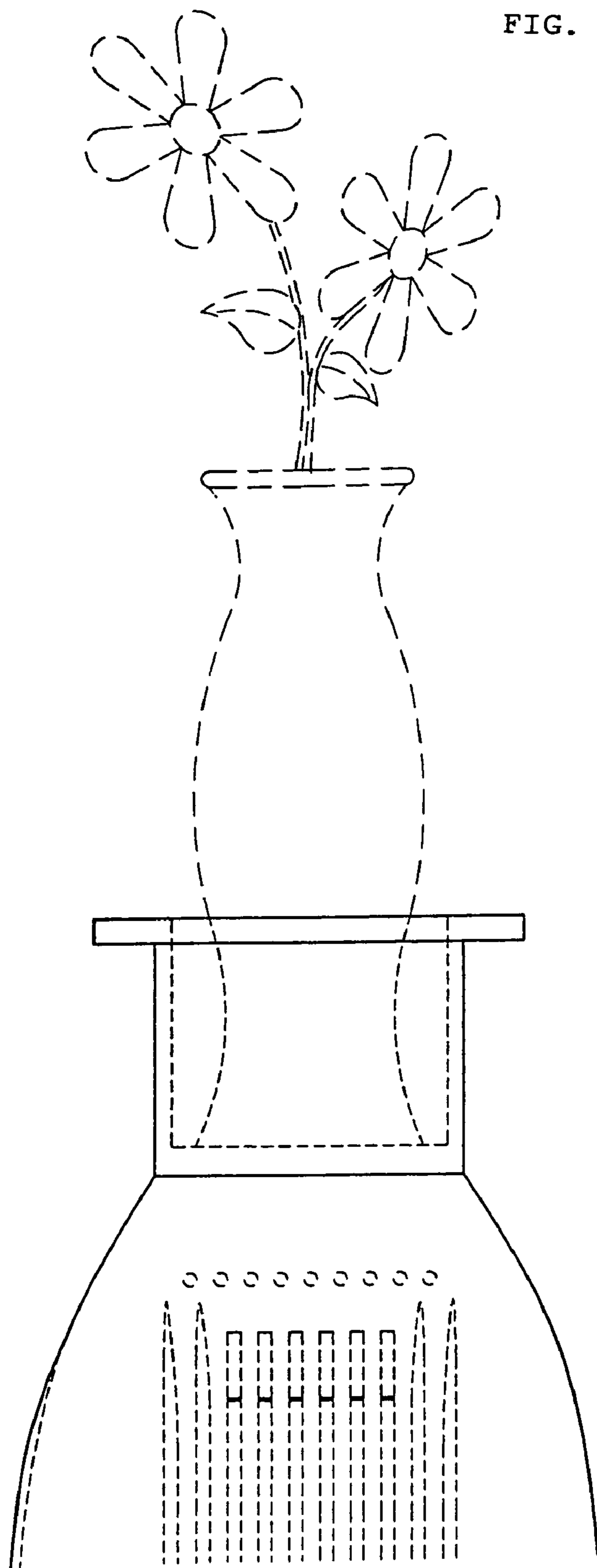


FIG. 11

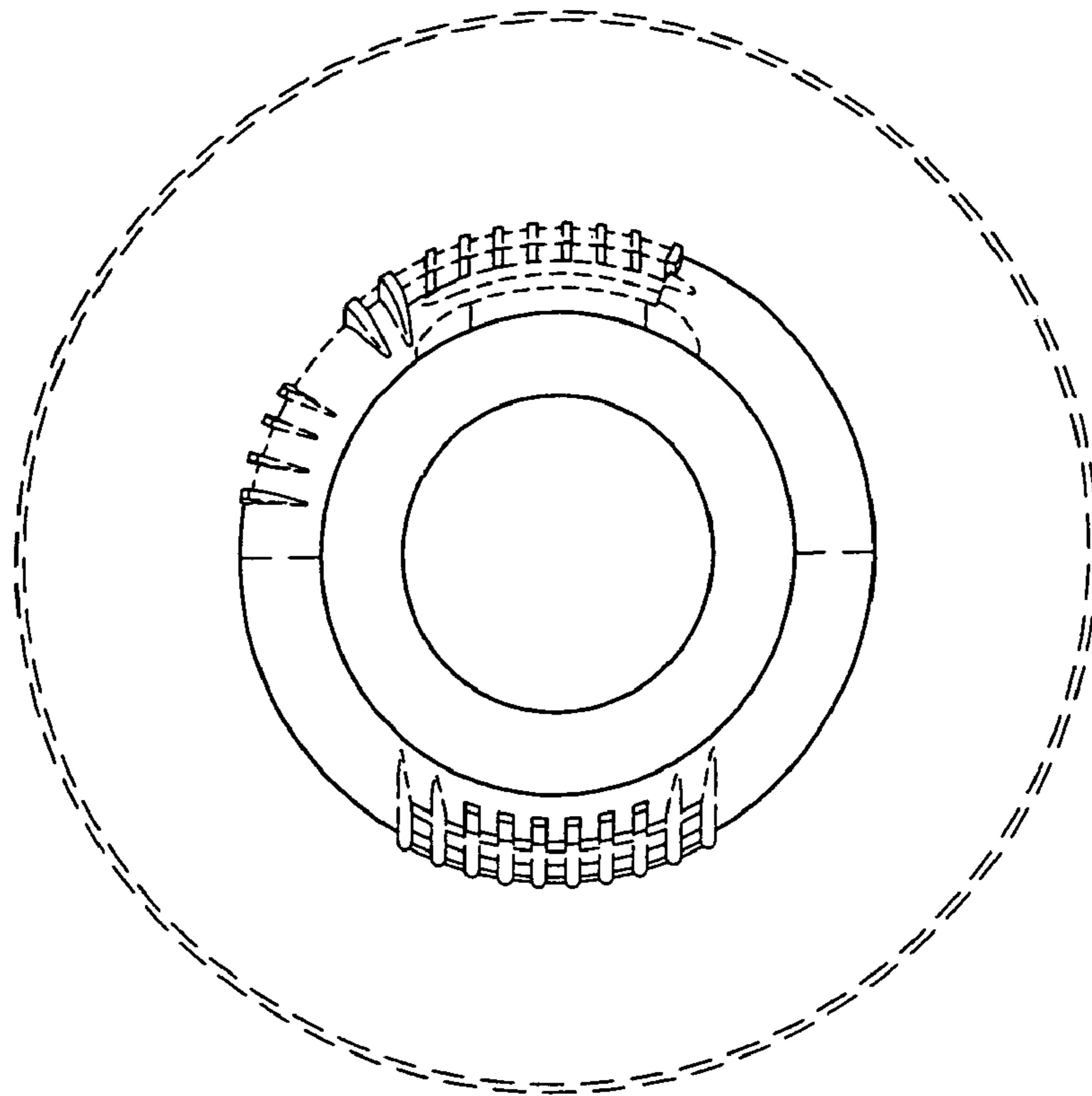


FIG. 12

