



US00D603951S

(12) **United States Design Patent**
Seidler

(10) **Patent No.:** **US D603,951 S**
(45) **Date of Patent:** **** Nov. 10, 2009**

(54) **FAN WITH AN OUTFLOW BAFFLE**

(57) **CLAIM**

(75) **Inventor:** **Siegfried Seidler,**
Villingen-Schwenningen (DE)

The ornamental design for a fan with outflow baffle, as shown and described.

(73) **Assignee:** **Ebm-Papst St. Georgen GmbH & Co. KG,** St. Georgen (DE)

DESCRIPTION

(**) **Term:** **14 Years**

FIG. 1 is a perspective view of an outlet side of a fan with an outflow baffle of a first embodiment of the invention, with pivotable flaps in an open orientation;

(21) **Appl. No.:** **29/277,497**

FIG. 2 is an axial view of an intake side of the fan/baffle combination of FIG. 1, showing a hub and a plurality of curved blades extending therefrom;

(22) **Filed:** **Feb. 28, 2007**

FIG. 3 is an axial view of the outlet side of the fan/baffle combination of FIG. 1, with the flaps shown edge-on;

(30) **Foreign Application Priority Data**

Sep. 5, 2006 (DE) 4 06 04 729

FIG. 4 is a side view of the fan/baffle combination, taken looking from the right of FIG. 3;

(51) **LOC (9) Cl.** **23-04**

FIG. 5 is a side view of the fan/baffle combination, taken looking from the left of FIG. 3;

(52) **U.S. Cl.** **D23/370**

FIG. 6 is a side view of the fan/baffle combination, taken looking from the top of FIG. 3; and

(58) **Field of Classification Search** D23/370,
D23/379; 415/176, 177; 361/695, 697; D14/439
See application file for complete search history.

FIG. 7 is a side view of the fan/baffle combination, taken looking from the bottom of FIG. 3;

(56) **References Cited**

U.S. PATENT DOCUMENTS

6,031,717 A * 2/2000 Baddour et al. 361/679.49
D492,986 S * 7/2004 Chiu et al. D23/370
D507,639 S * 7/2005 Chiu et al. D23/370
D560,622 S * 1/2008 Ishihara et al. D13/179

FIG. 8 is a perspective view of an outflow baffle;

FIG. 9 is an axial view of an outlet side of the baffle of FIG. 8;

FIG. 10 is an axial view of an inlet side of the baffle of FIG. 8;

FIG. 11 is a side view of the baffle, taken looking from the right side of FIG. 9;

FIG. 12 is a side view of the baffle, taken looking from the left side of FIG. 9;

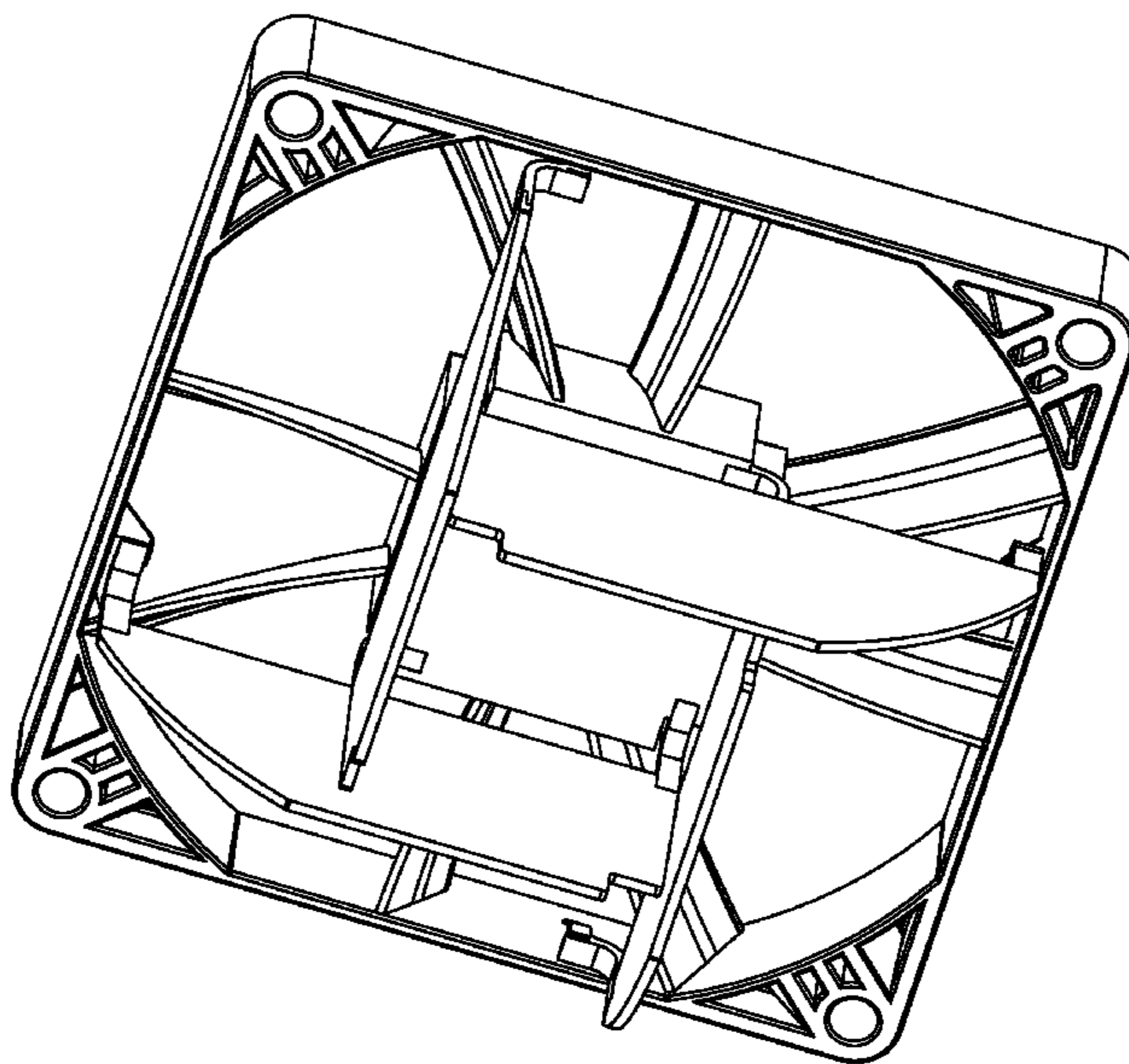
FIG. 13 is a side view of the baffle, taken looking from the top of FIG. 9; and,

FIG. 14 is a side view of the baffle, taken looking from the bottom of FIG. 9.

* cited by examiner

Primary Examiner—Lisa P Lichtenstein
(74) *Attorney, Agent, or Firm*—Milton Oliver, Esq.; Oliver Intellectual Property LLC

1 Claim, 14 Drawing Sheets



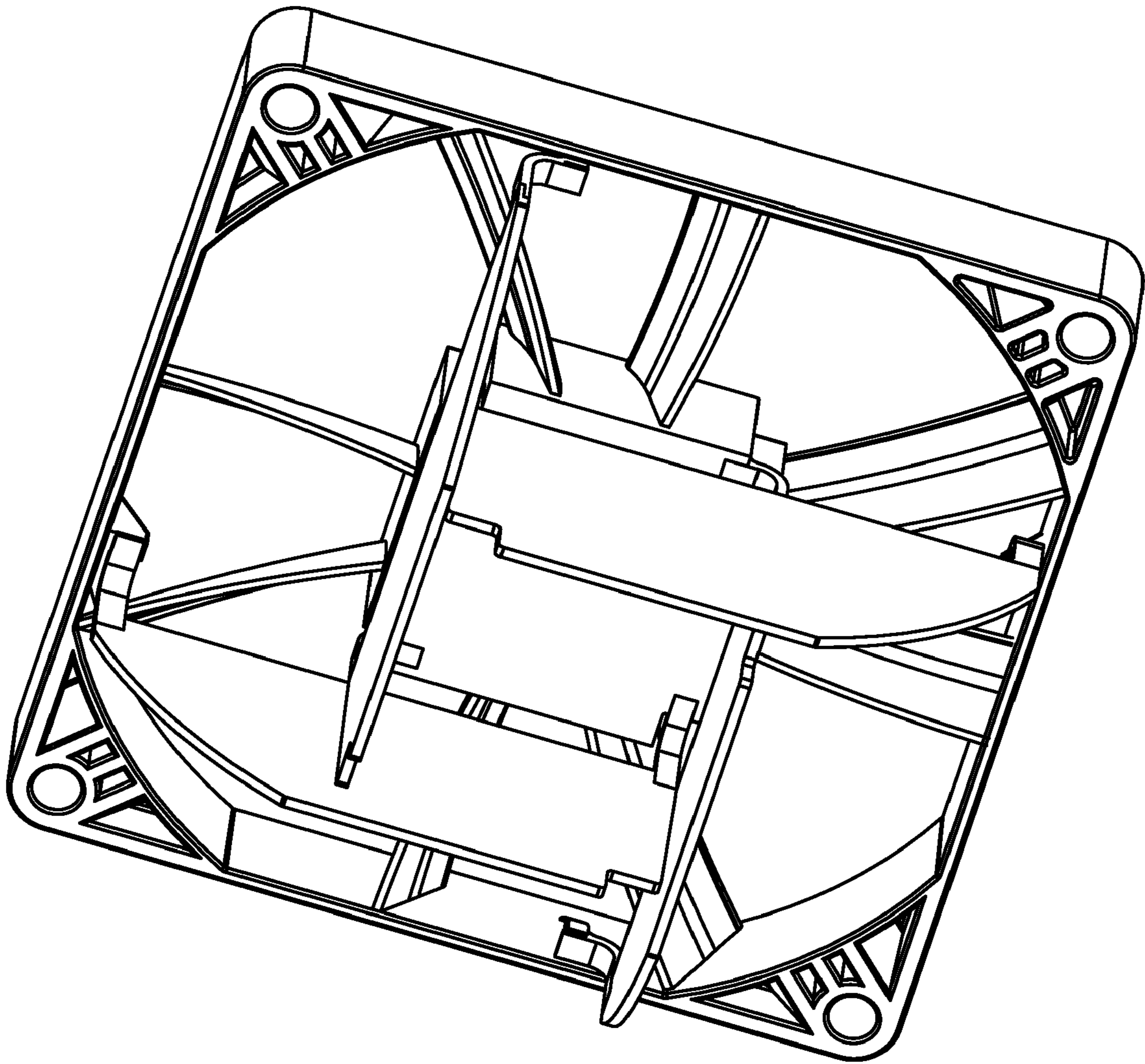


FIG. 1

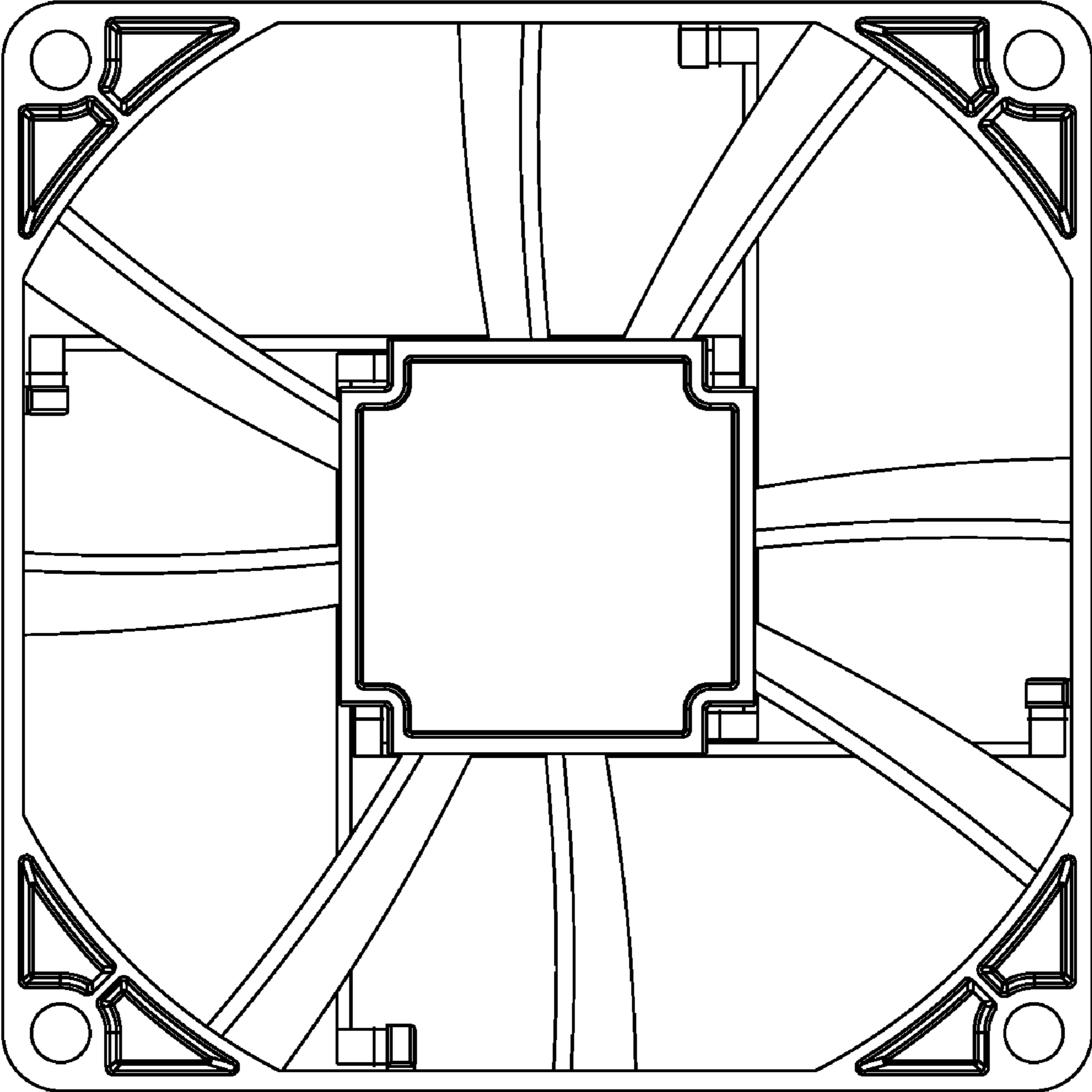


FIG. 2

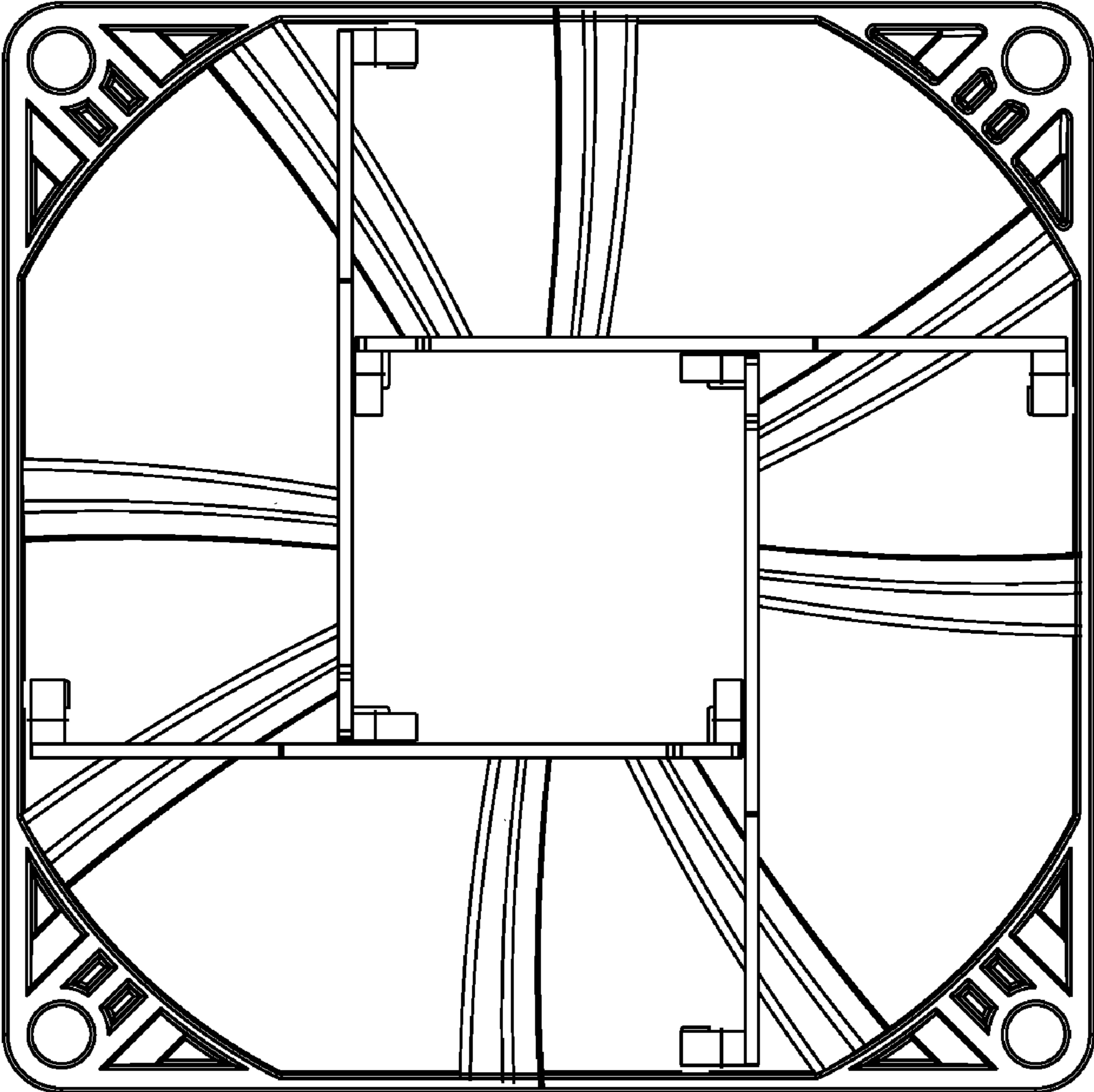


FIG. 3

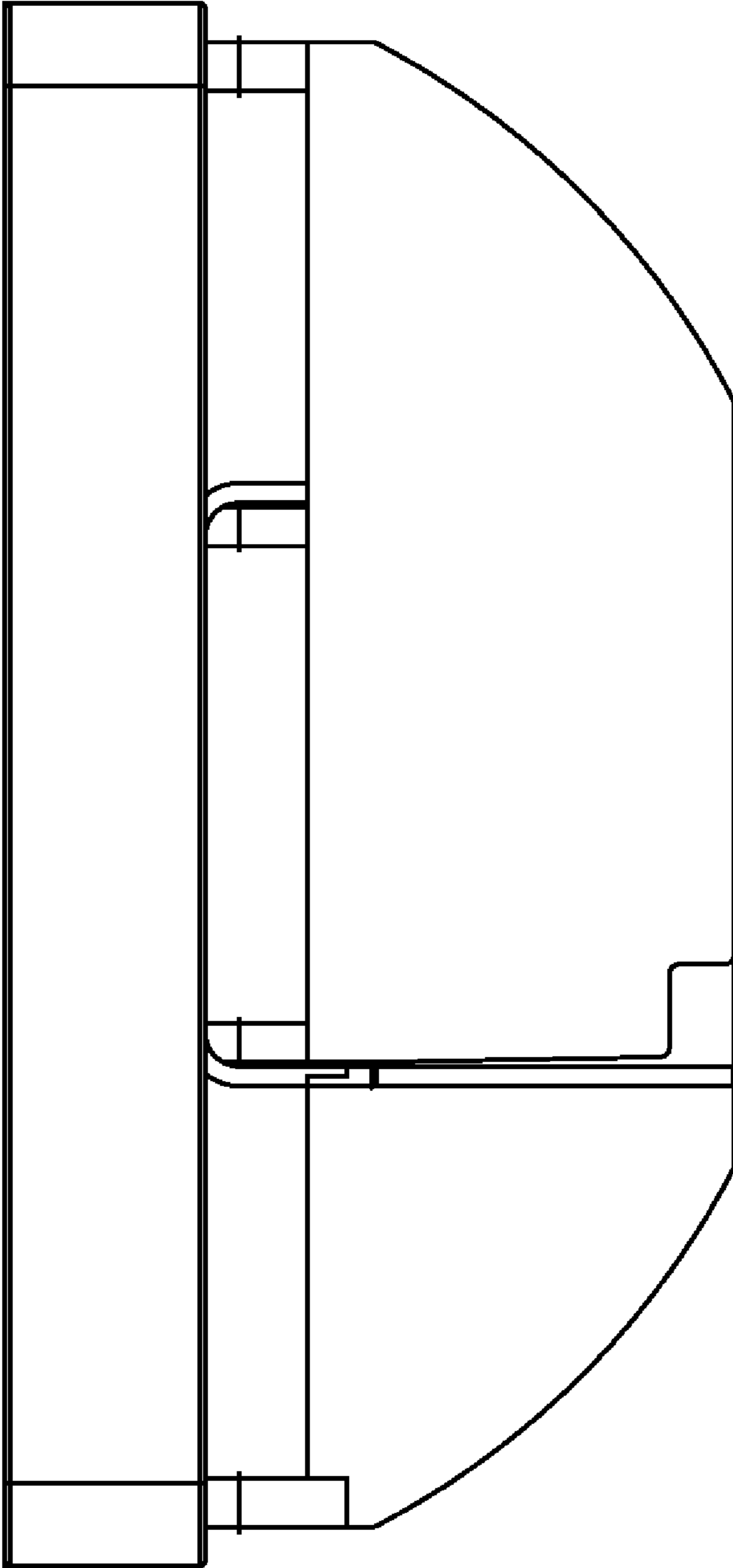


FIG. 4

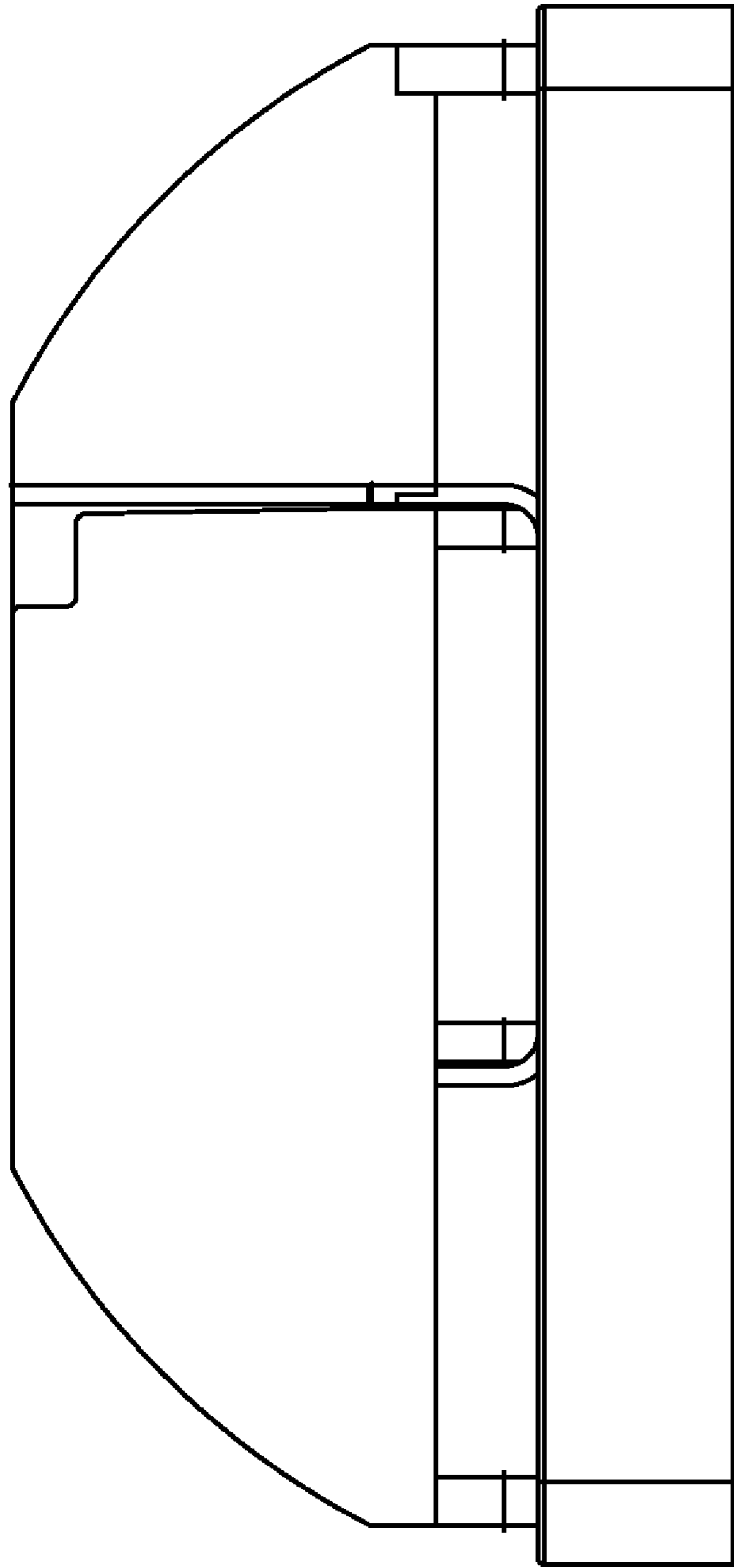


FIG. 5

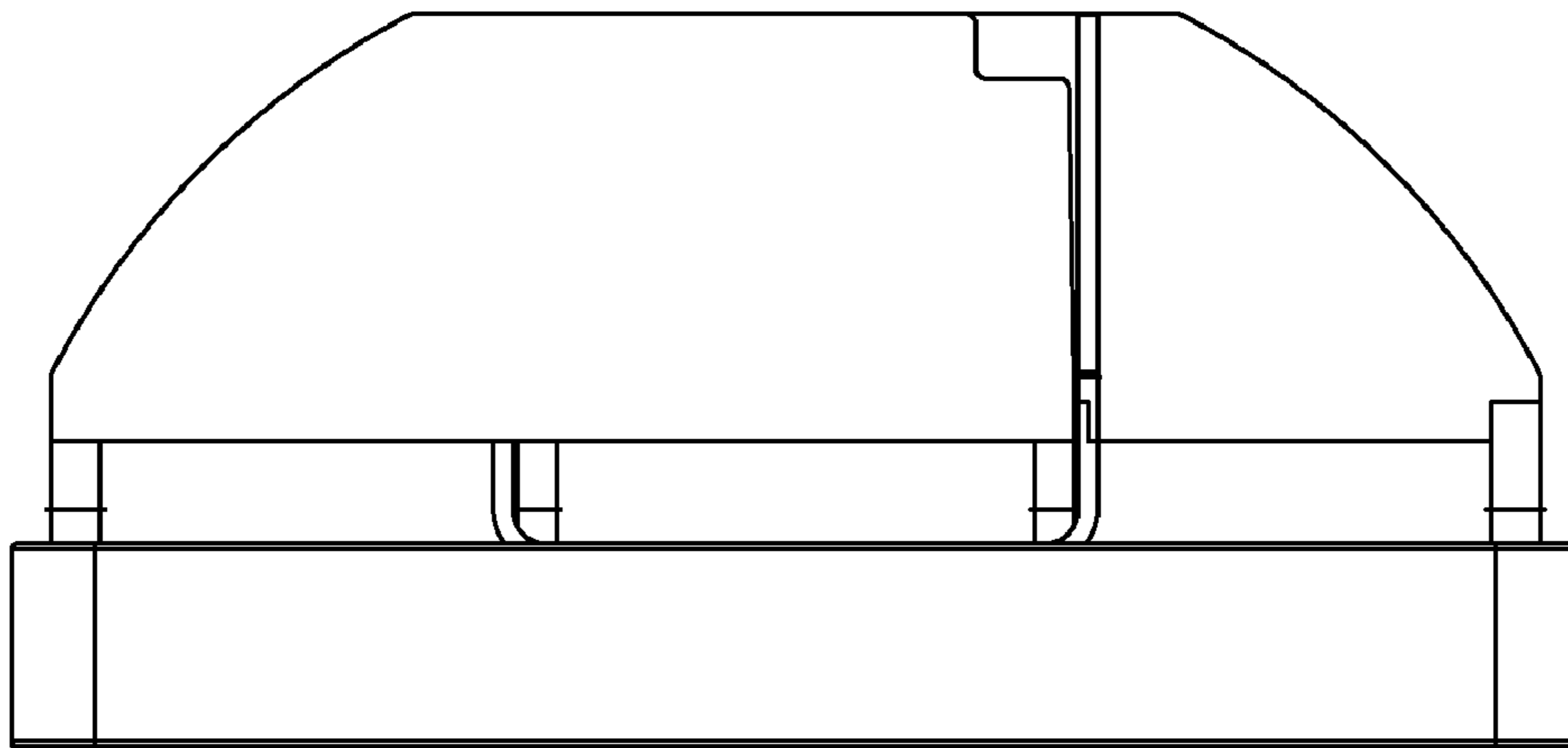


FIG. 6

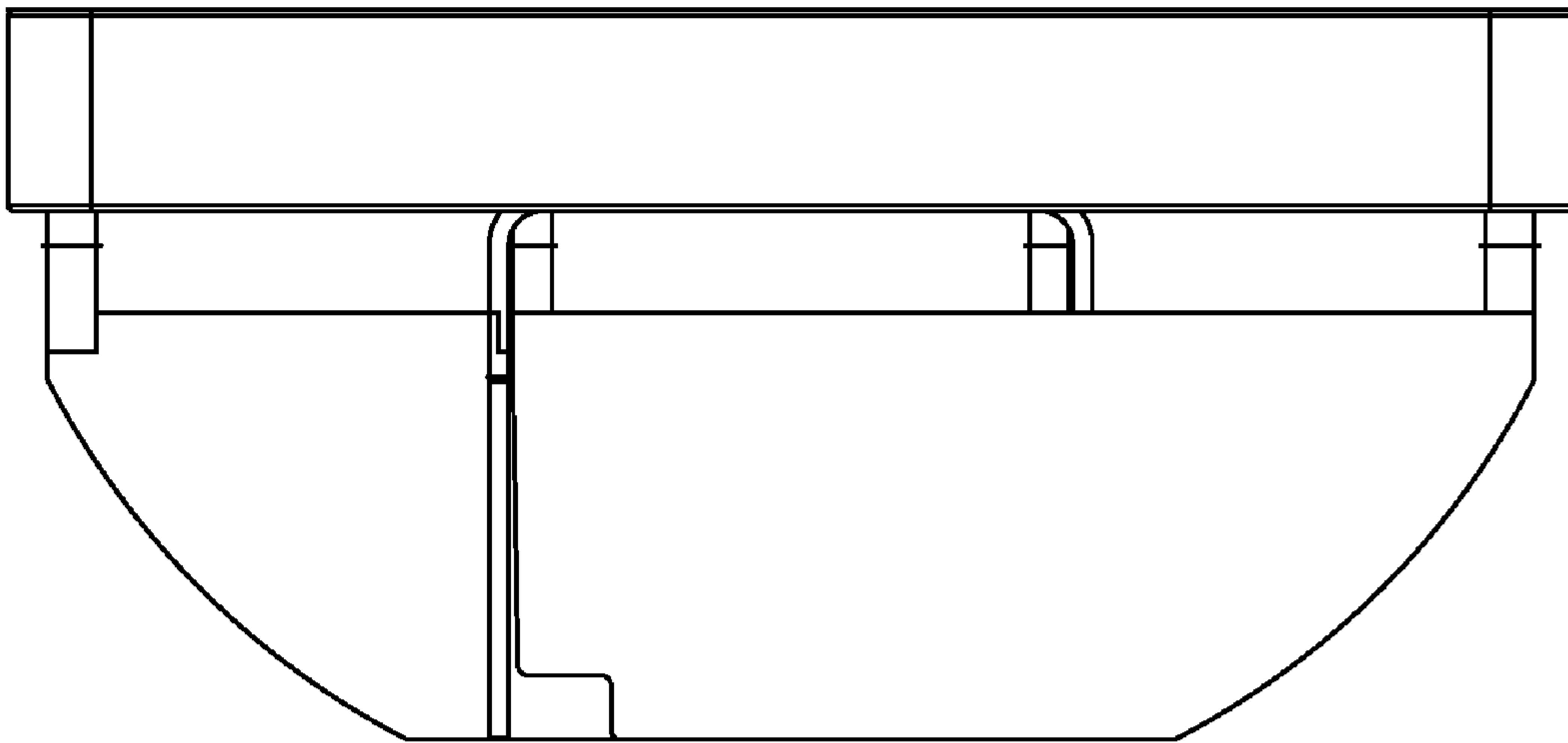


FIG. 7

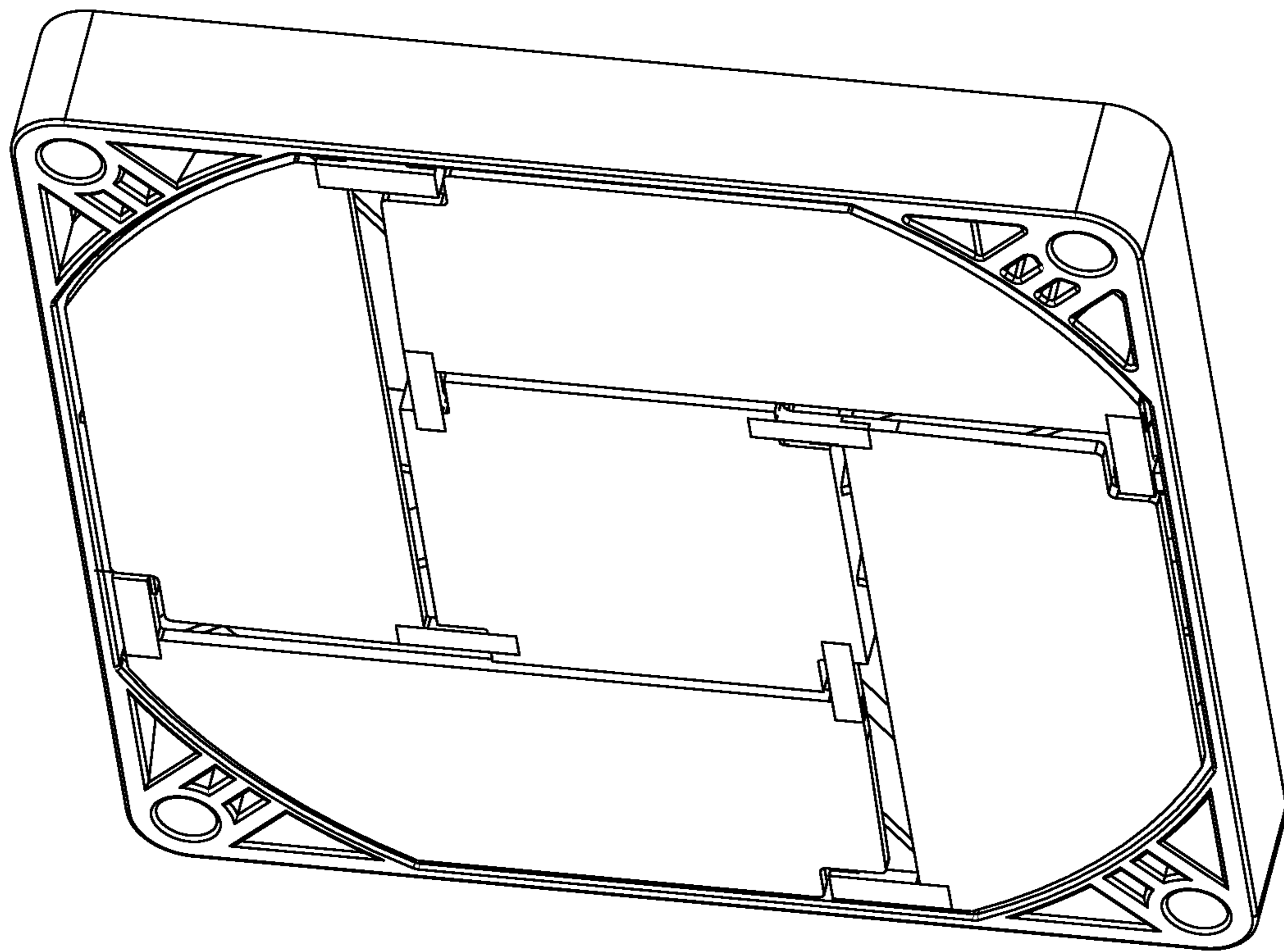


FIG. 8

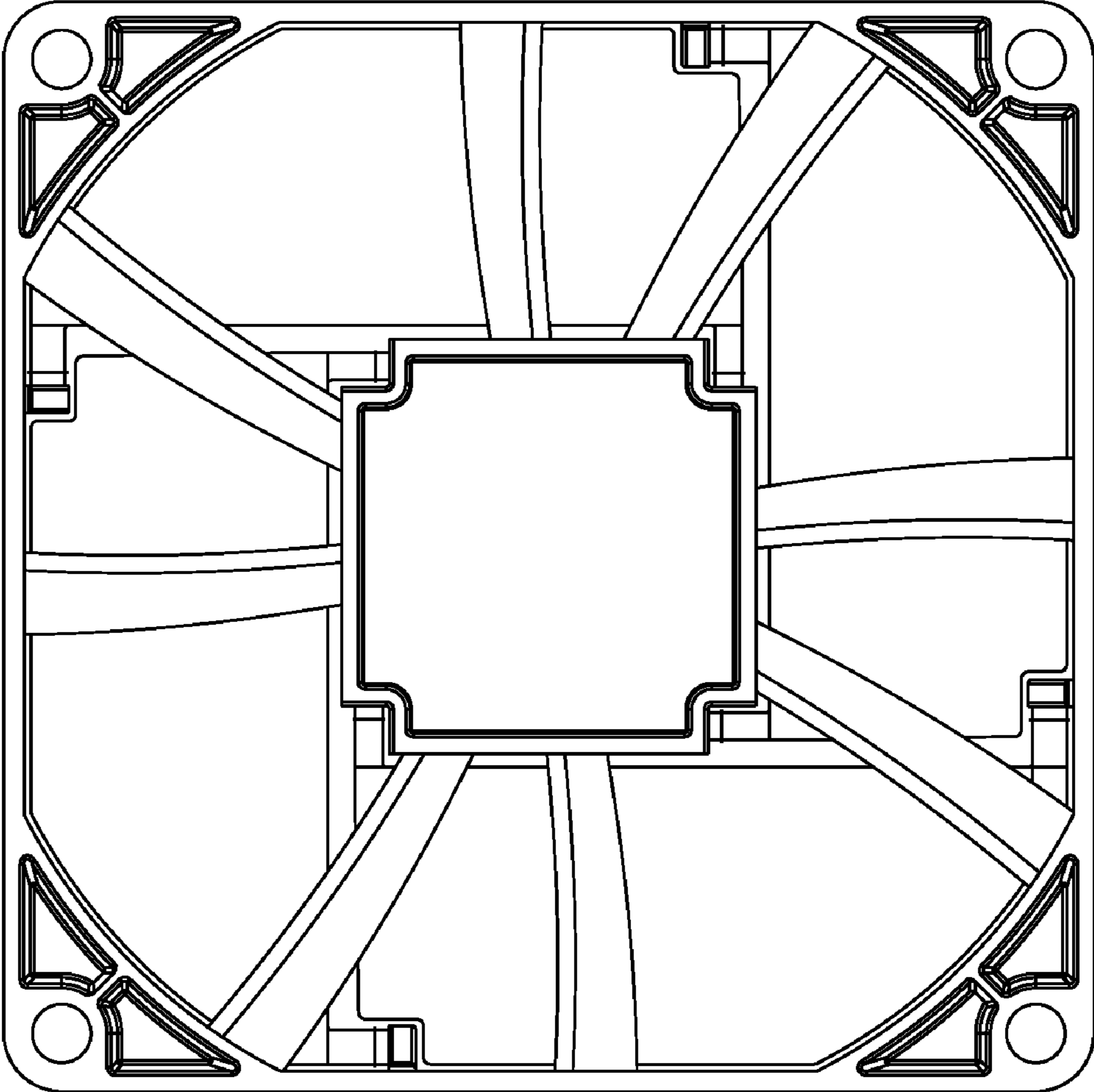


FIG. 9

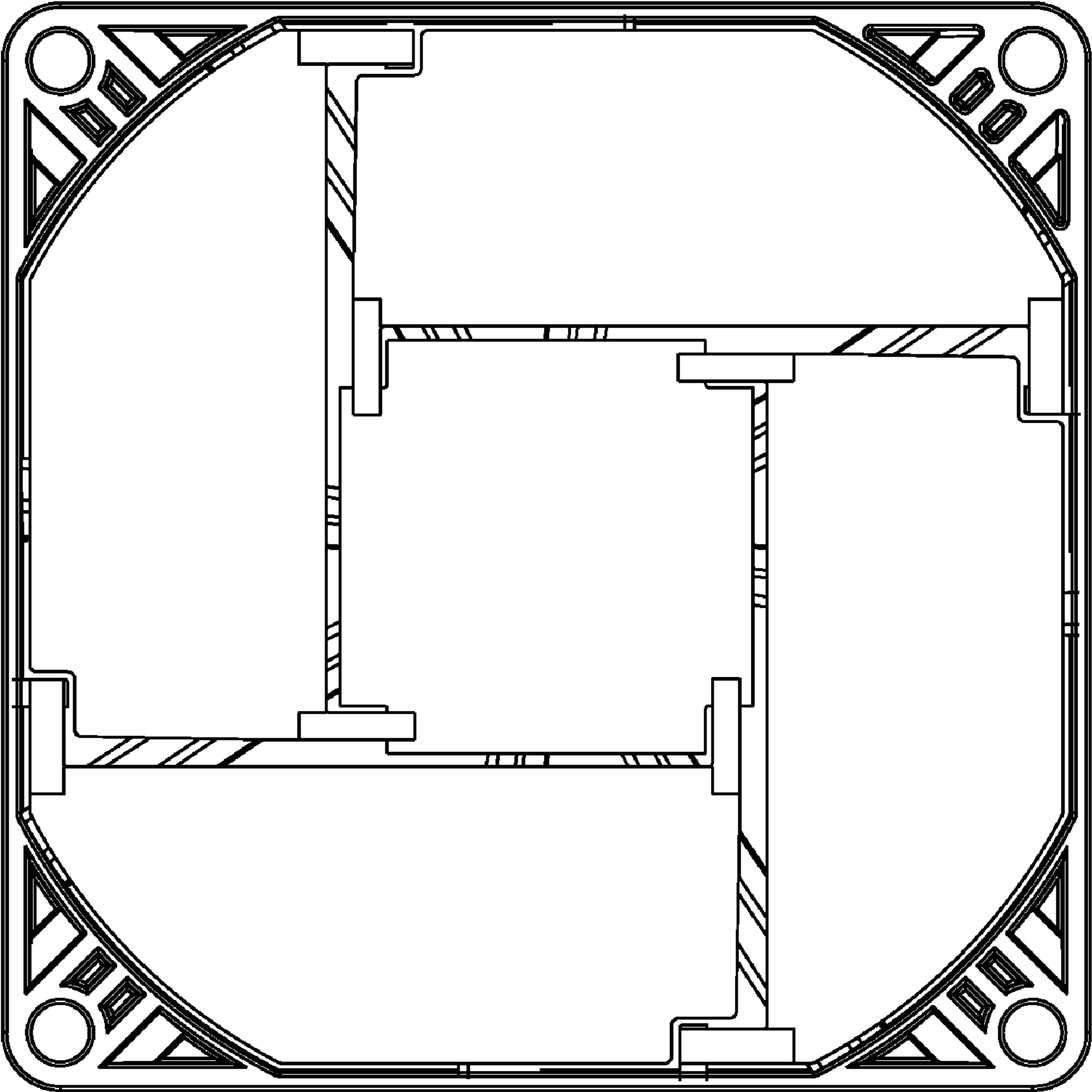


FIG. 10

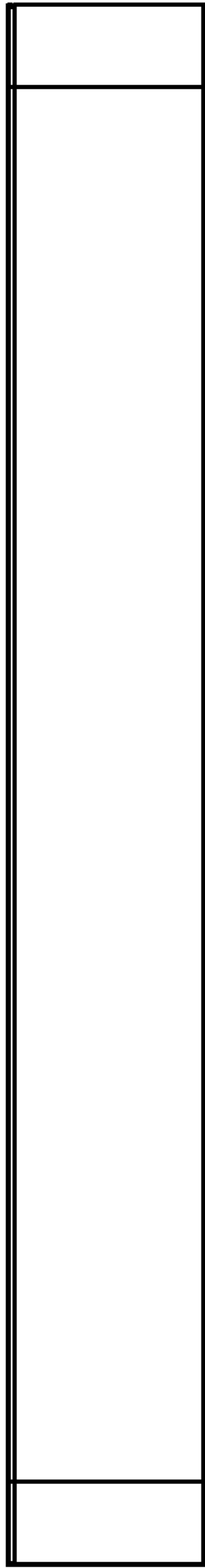


FIG. 11

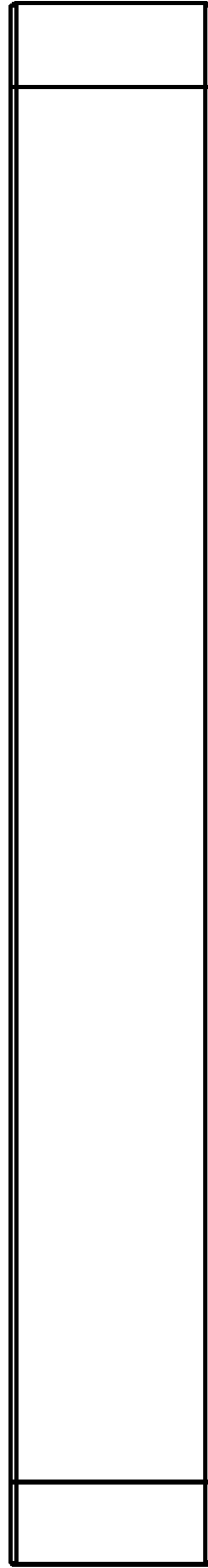


FIG. 12



FIG. 13



FIG. 14