



US00D603948S

(12) **United States Design Patent**
Ishihara

(10) **Patent No.:** **US D603,948 S**

(45) **Date of Patent:** **** Nov. 10, 2009**

(54) **HEAT EXCHANGER FOR AIR
CONDITIONER**

D584,388 S * 1/2009 Chooji D23/351

* cited by examiner

(75) Inventor: **Tomiaki Ishihara**, Tokyo (JP)

Primary Examiner—Brian N Vinson

(73) Assignee: **Toshiba Carrier Corporation**, Tokyo
(JP)

(74) *Attorney, Agent, or Firm*—Ditthavong Mori & Steiner,
P.C.

(**) Term: **14 Years**

(57) **CLAIM**

(21) Appl. No.: **29/327,877**

The ornamental design for a heat exchanger for air condi-
tioner, as shown and described.

(22) Filed: **Nov. 14, 2008**

DESCRIPTION

(51) **LOC (9) Cl.** **23-04**

FIG. 1 is a top, front, and right side perspective view of a heat
exchanger for air conditioner showing my new design;

(52) **U.S. Cl.** **D23/351**

FIG. 2 is a front elevational view thereof;

(58) **Field of Classification Search** D23/351–354;
312/236; 454/201–204; 62/259.1, 259.4,
62/262–263, 304, 324.1

FIG. 3 is a rear elevational view thereof;

See application file for complete search history.

FIG. 4 is a left side elevational view thereof;

FIG. 5 is a right side elevational view thereof;

(56) **References Cited**

FIG. 6 is a top plan view thereof; and,

U.S. PATENT DOCUMENTS

FIG. 7 is a bottom plan view thereof.

D532,502 S * 11/2006 Bartlett et al. D23/351

The broken-line illustration is understood to show portions of
the article in which the claimed design is embodied, but which
form no part of the claimed design.

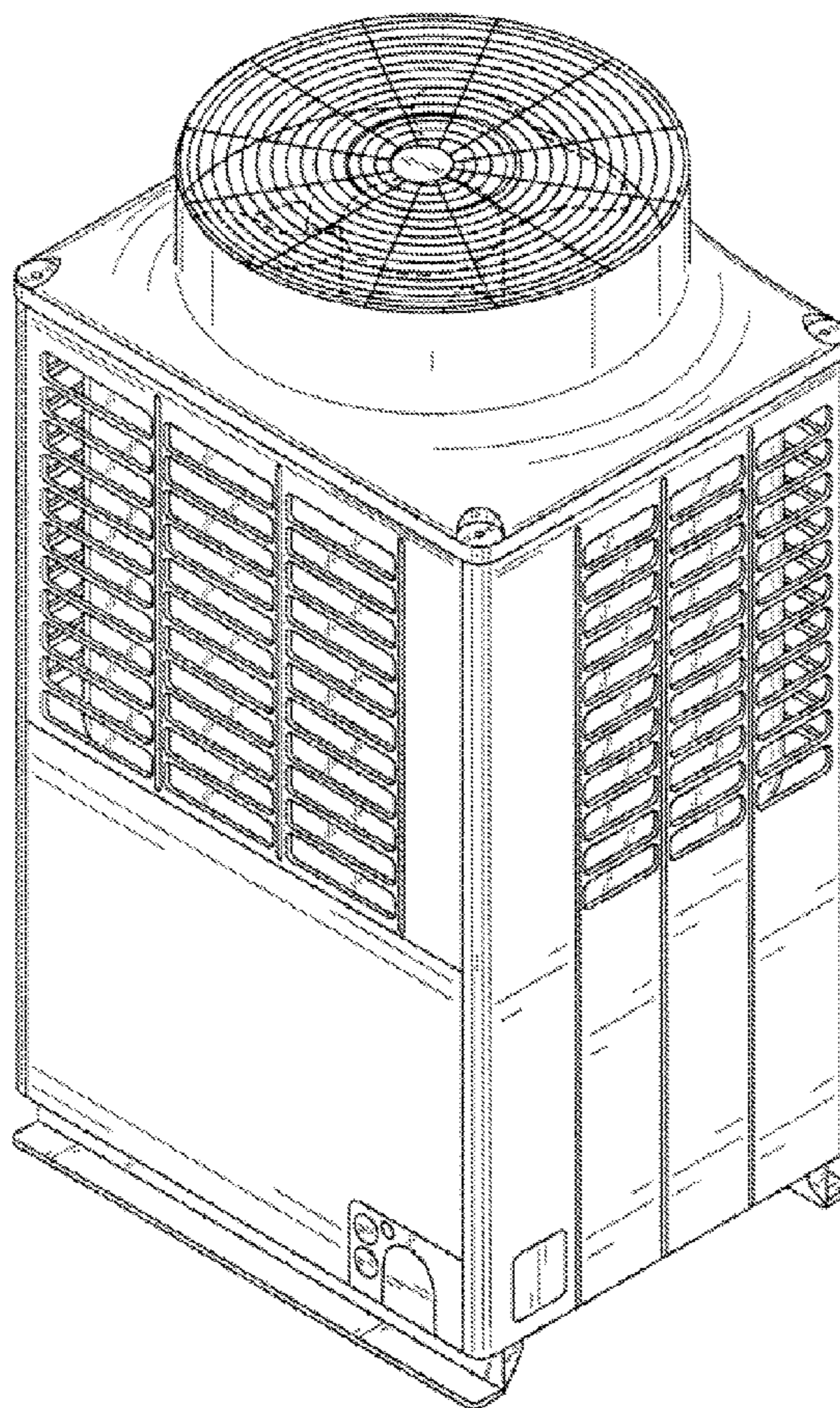
D534,637 S * 1/2007 David et al. D23/351

D540,452 S * 4/2007 Narayanamurthy et al. D23/351

D562,954 S * 2/2008 Brenneke et al. D23/351

D579,536 S * 10/2008 Oh et al. D23/351

1 Claim, 7 Drawing Sheets



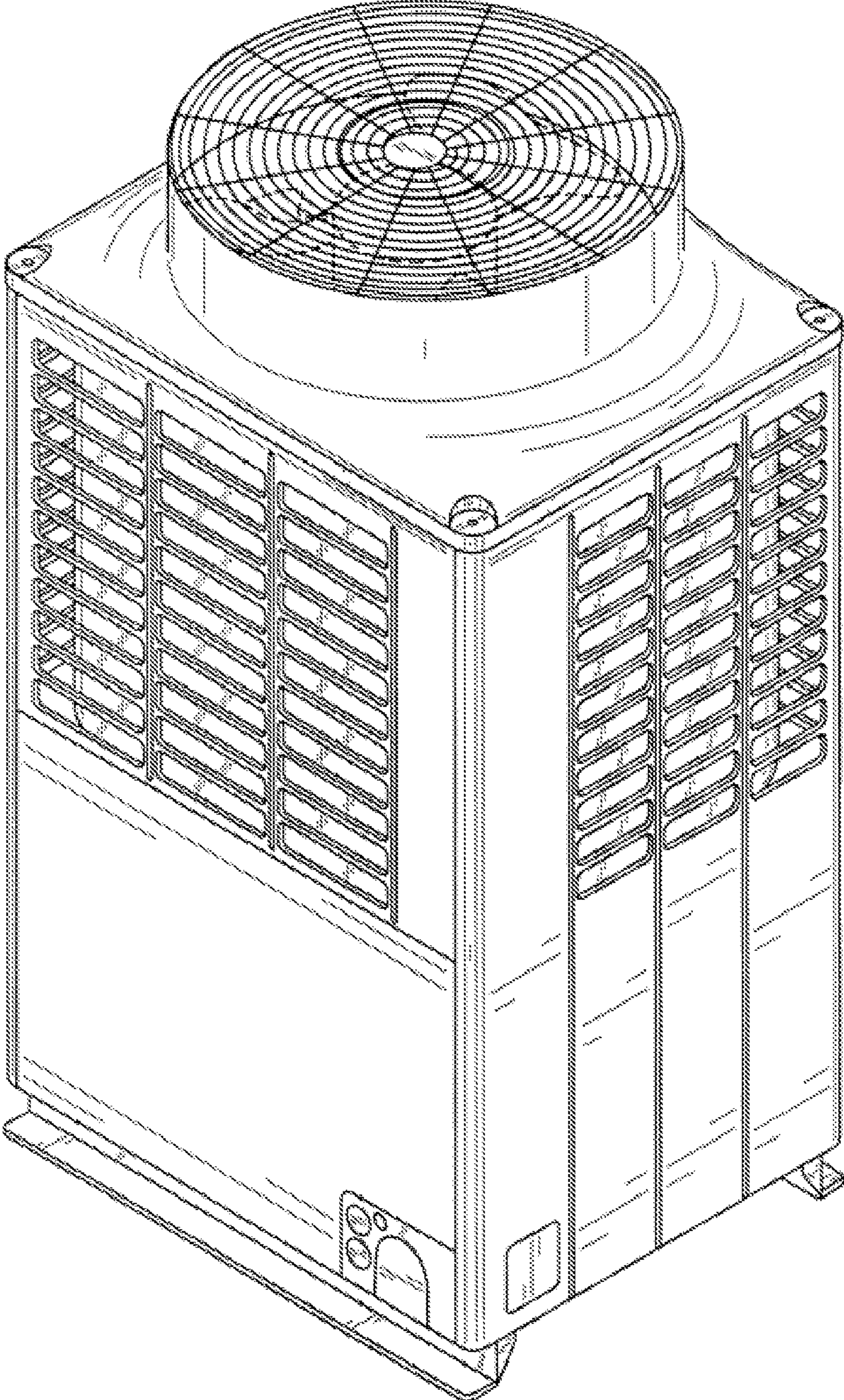


FIG. 1

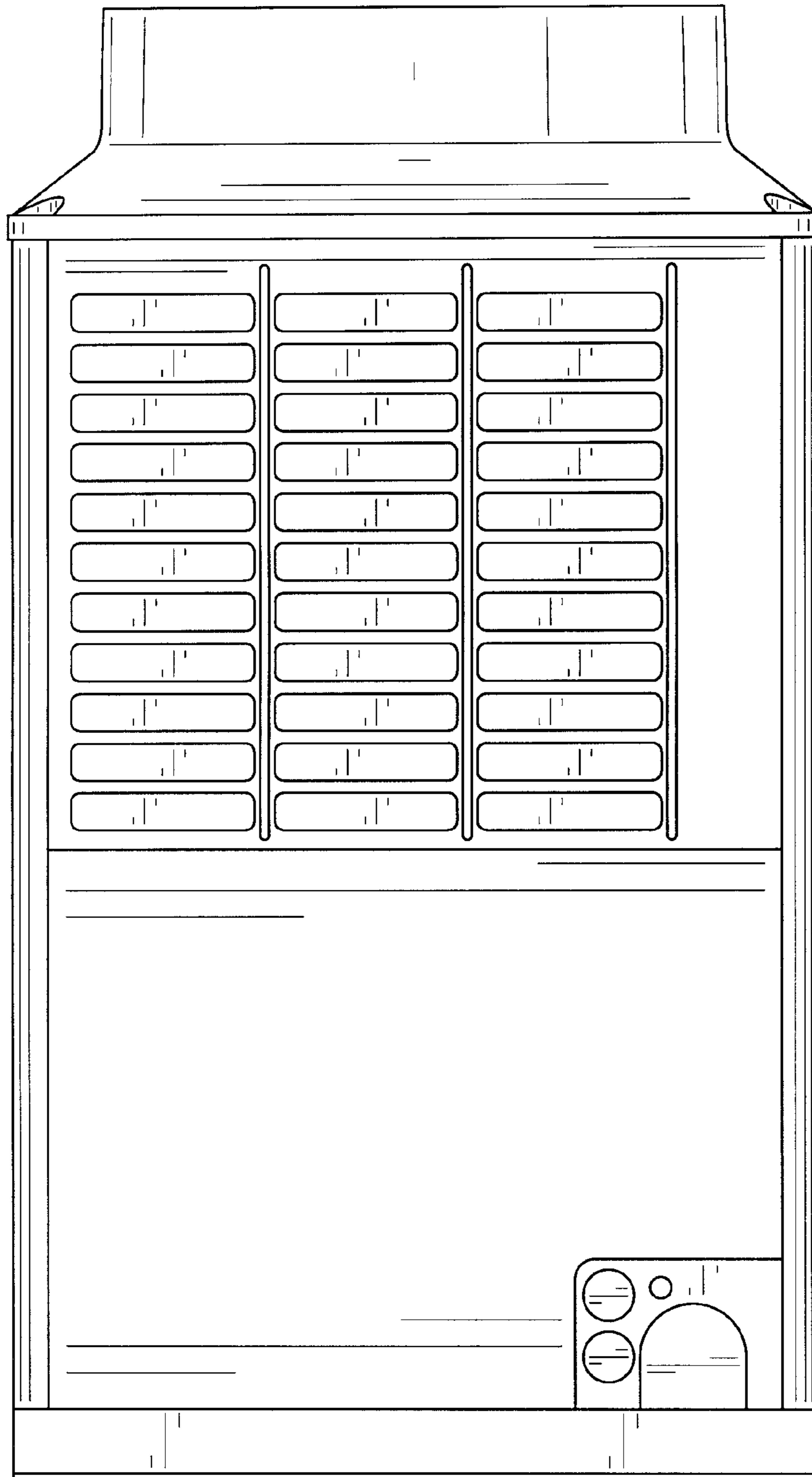


FIG. 2

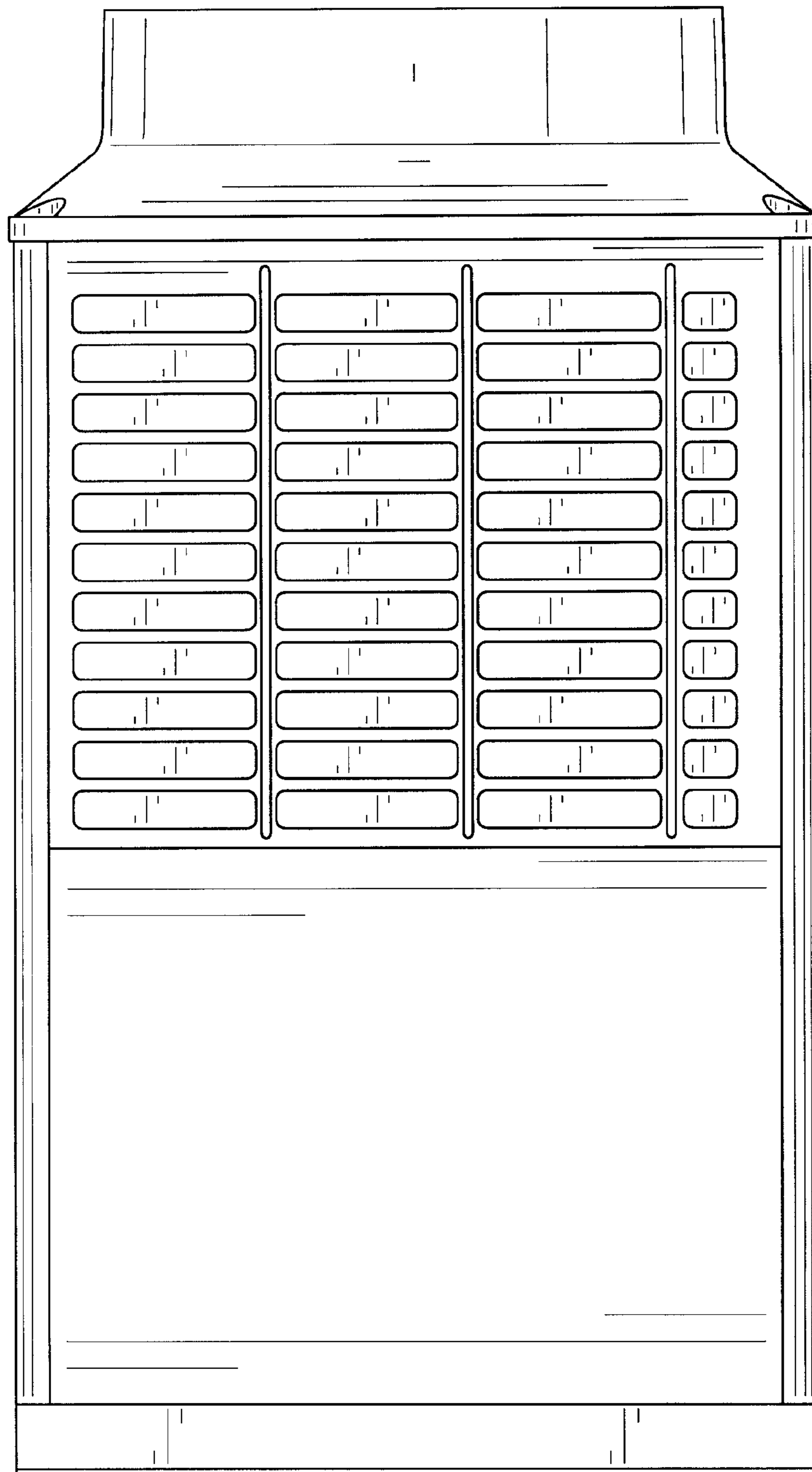


FIG. 3

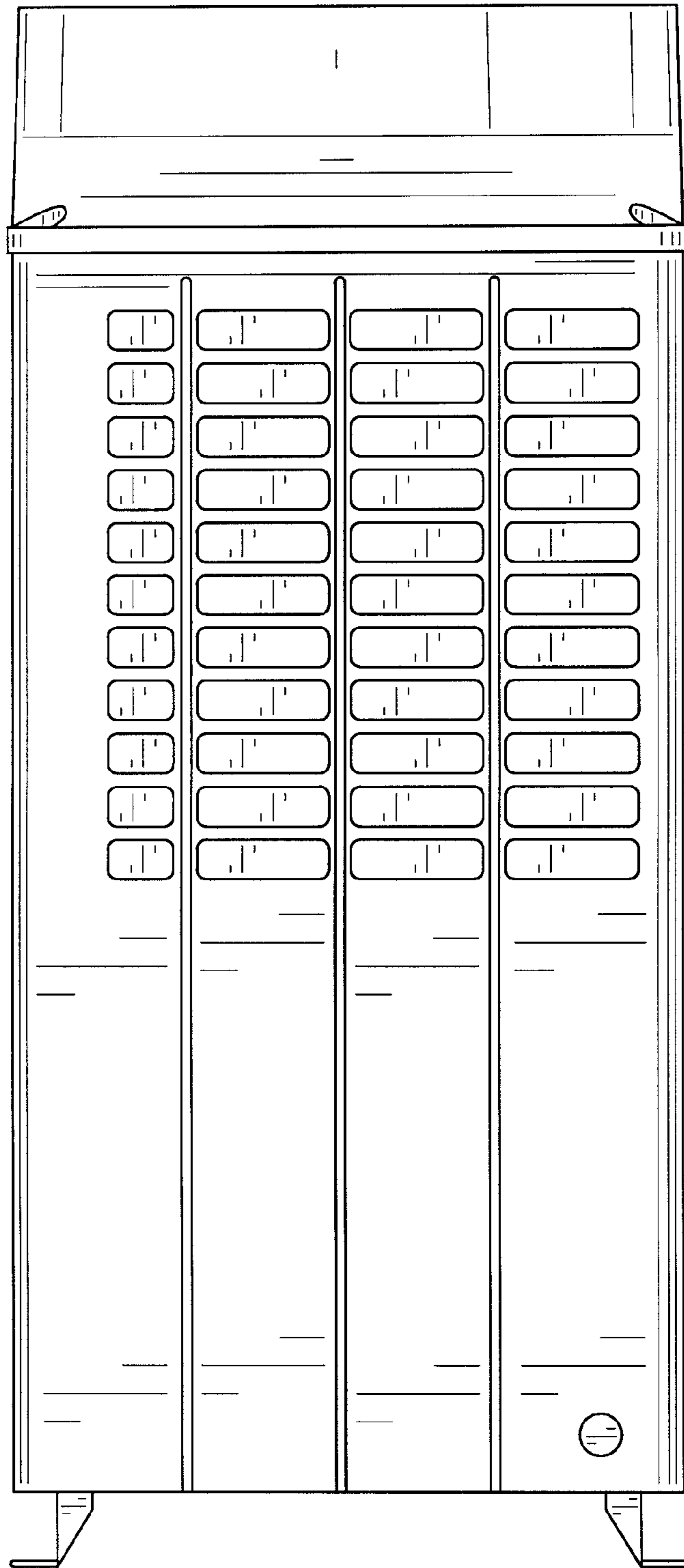


FIG. 4

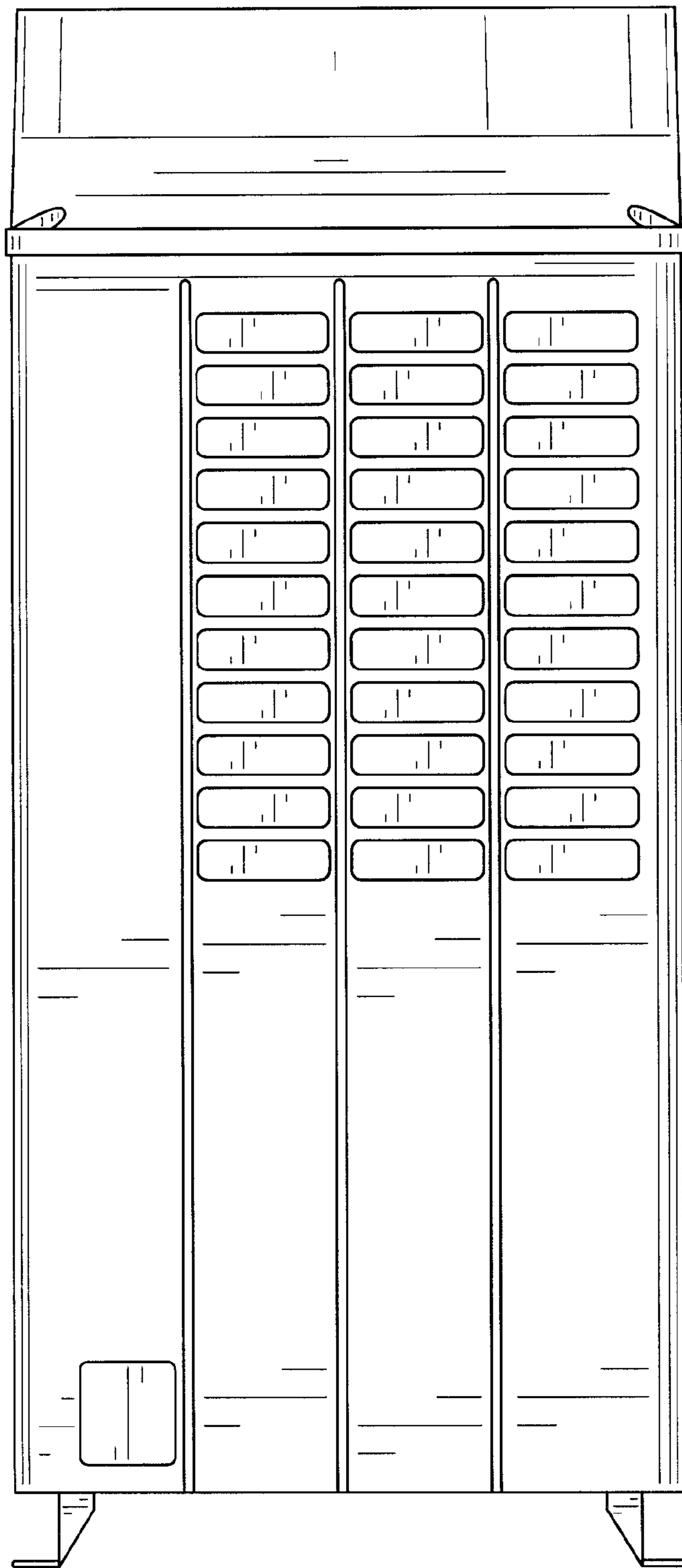


FIG. 5

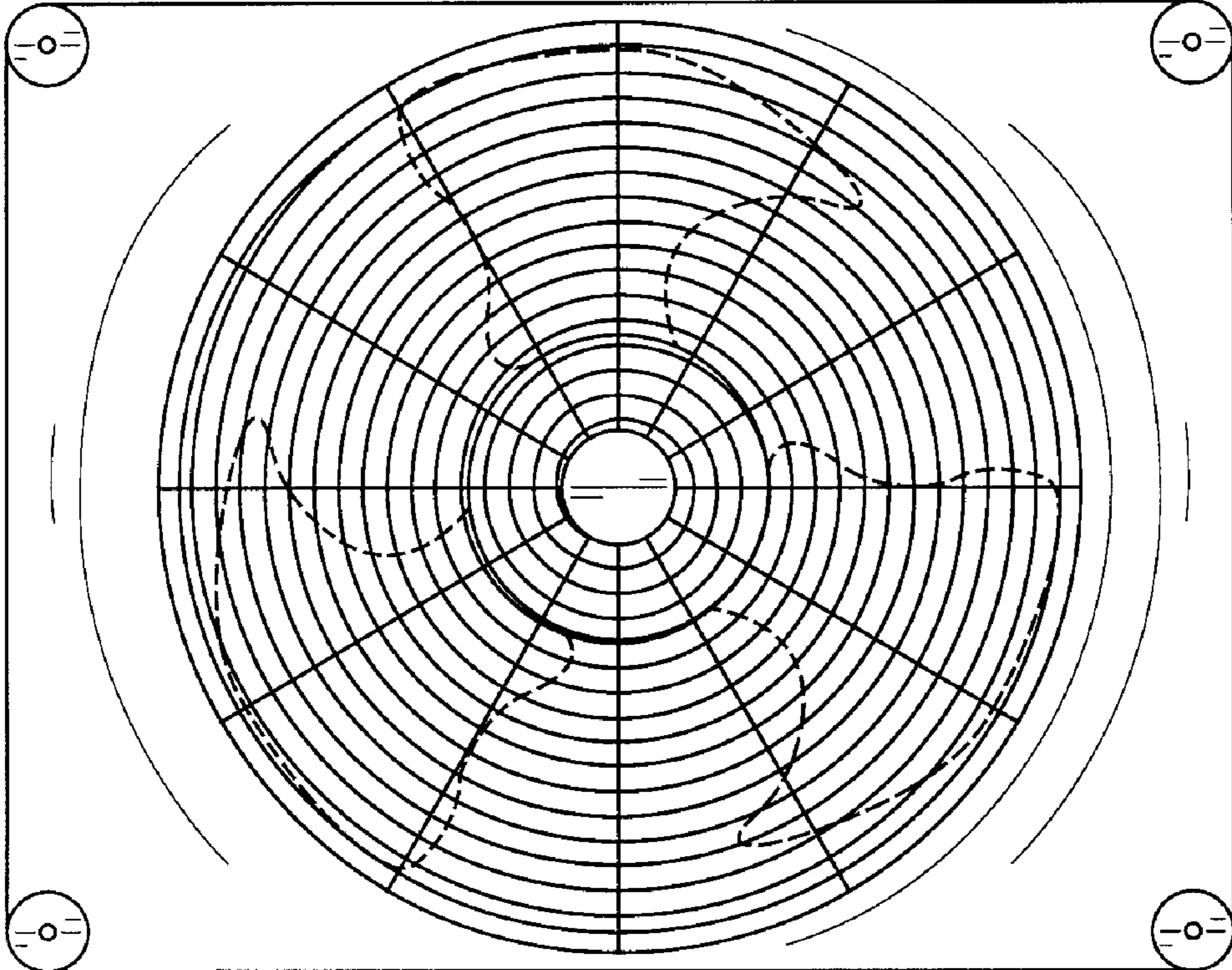


FIG. 6

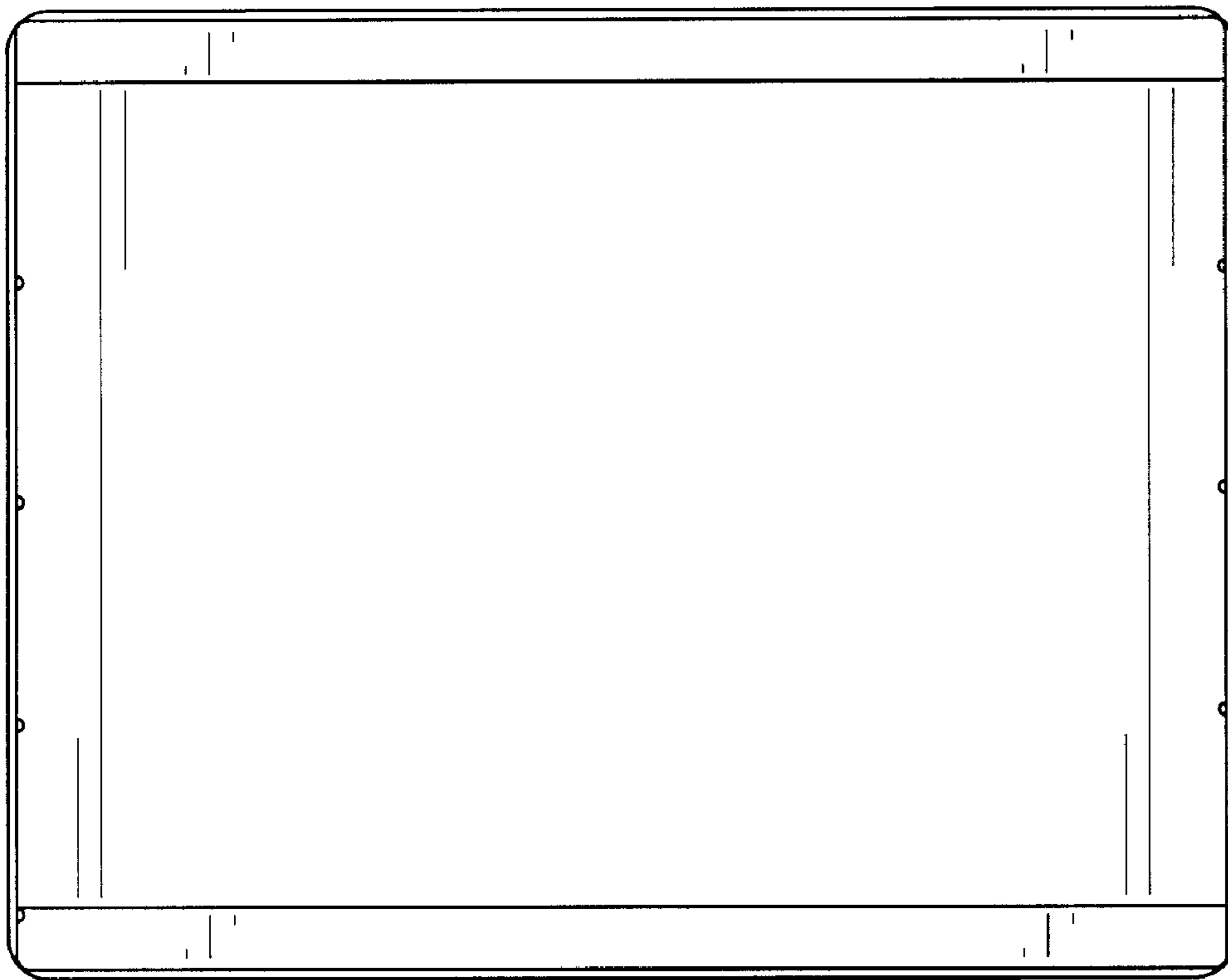


FIG. 7