



US00D603945S

(12) **United States Design Patent**  
**Bucher**

(10) **Patent No.:** **US D603,945 S**

(45) **Date of Patent:** **\*\* Nov. 10, 2009**

(54) **ONE-PIECE TOILET**

(75) Inventor: **Christophe Bucher**, Hillsborough, NJ  
(US)

(73) Assignee: **AS IP Holdco L.L.C.**, Piscataway, NJ  
(US)

(\*\*) Term: **14 Years**

(21) Appl. No.: **29/328,544**

(22) Filed: **Nov. 25, 2008**

(51) **LOC (9) Cl.** ..... **23-02**

(52) **U.S. Cl.** ..... **D23/301**

(58) **Field of Classification Search** ..... D23/273–274,  
D23/299–301, 303, 309, 313; 4/663–664,  
4/328, 329, 353, 420, 661, DIG. 15  
See application file for complete search history.

(56) **References Cited**

**U.S. PATENT DOCUMENTS**

D101,441 S	*	10/1936	Dreyfuss	.....	D23/301
D116,810 S	*	9/1939	Uphues	.....	D23/301
D323,551 S	*	1/1992	Fait	.....	D23/301
D455,202 S	*	4/2002	Soulier	.....	D23/301
D491,651 S	*	6/2004	Bates	.....	D23/313

**OTHER PUBLICATIONS**

www.totousa.com; product detail; Soiree® toilet 1.6 gpf-ada submitted by applicant.\*

www.totousa.com; product detail; Pacifica® toilet 1.6 gpf submitted by applicant.\*

www.totousa.com; product detail; Pacifica® two-piece toilet 1.6 gpf submitted by applicant.\*

\* cited by examiner

*Primary Examiner*—Robert A Delehanty

(74) *Attorney, Agent, or Firm*—Flaster Greenberg, P.C.

(57) **CLAIM**

The ornamental design for a one-piece toilet, as shown and described.

**DESCRIPTION**

FIG. 1 is a perspective view of a one-piece toilet;

FIG. 2 is a front elevational view of the one-piece toilet of FIG. 1;

FIG. 3 is a left side elevational view of the one-piece toilet of FIG. 1;

FIG. 4 is a right side elevational view of the one-piece toilet of FIG. 1;

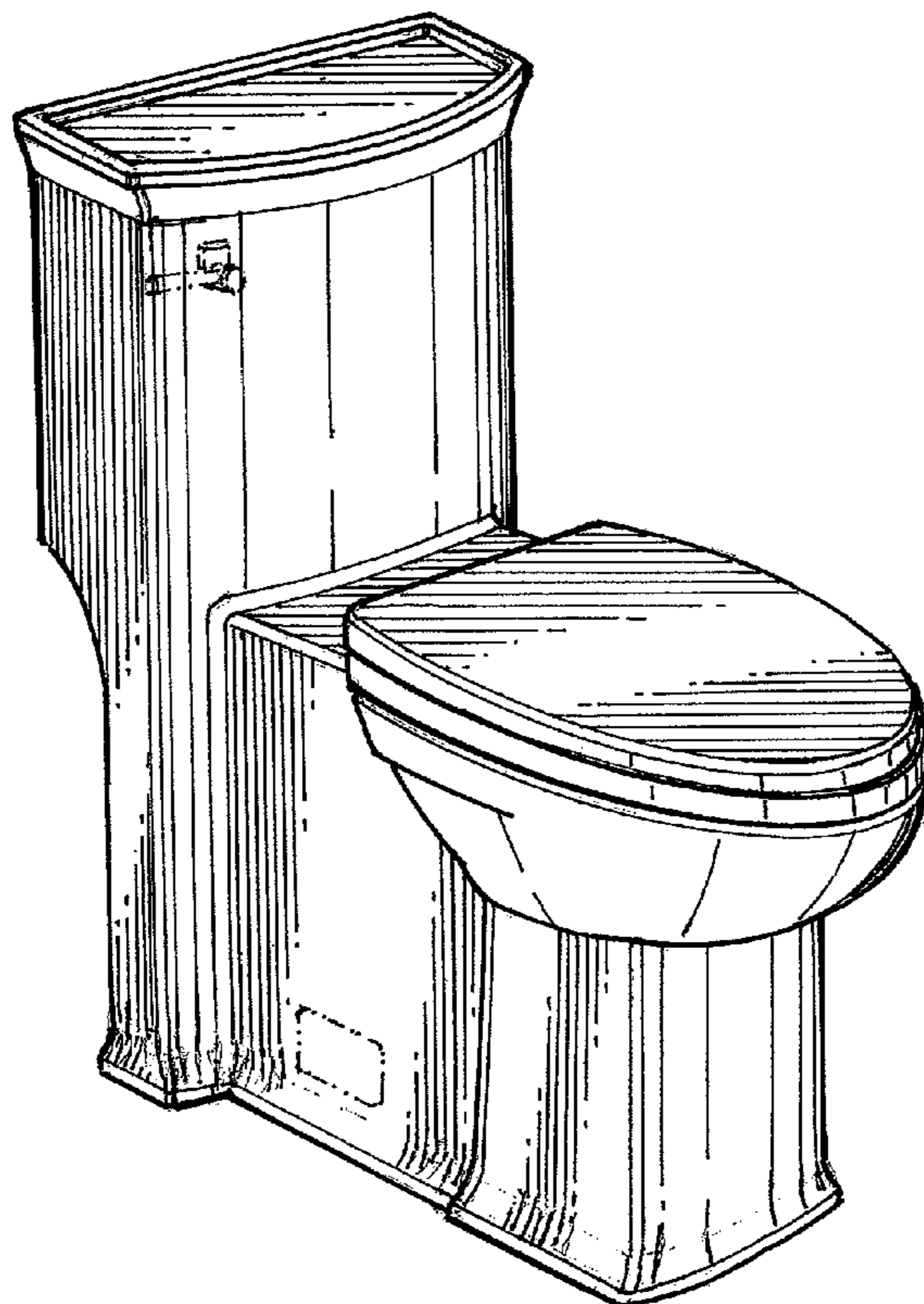
FIG. 5 is a rear elevational view of the one-piece toilet of FIG. 1;

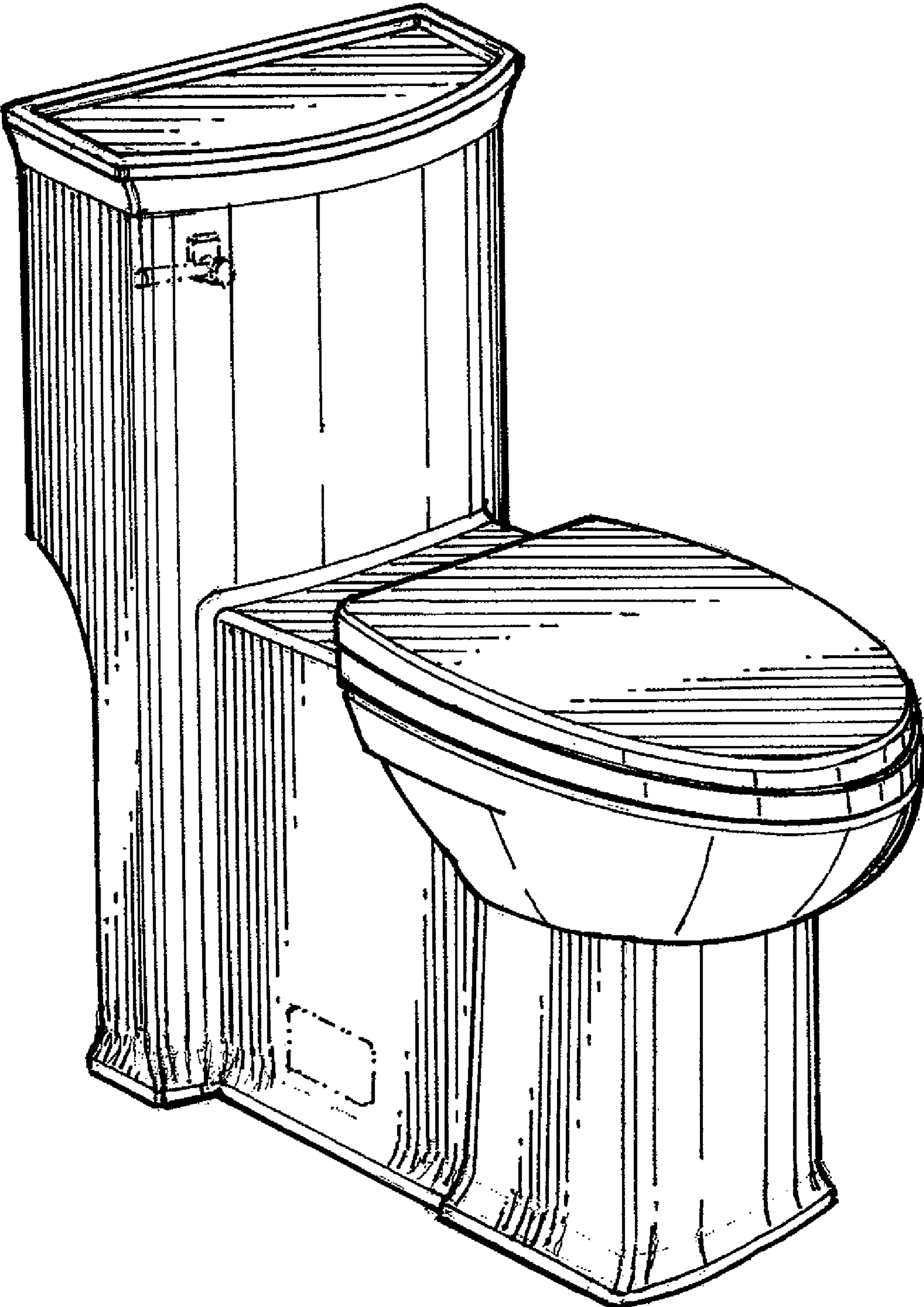
FIG. 6 is a top plan view of the one-piece toilet of FIG. 1; and,

FIG. 7 is a bottom plan view of the one-piece toilet of FIG. 1.

The broken lines in the drawings of FIGS. 1–7 are for illustrative purposes only and form no part of the claimed design.

**1 Claim, 4 Drawing Sheets**





**FIG. 1**

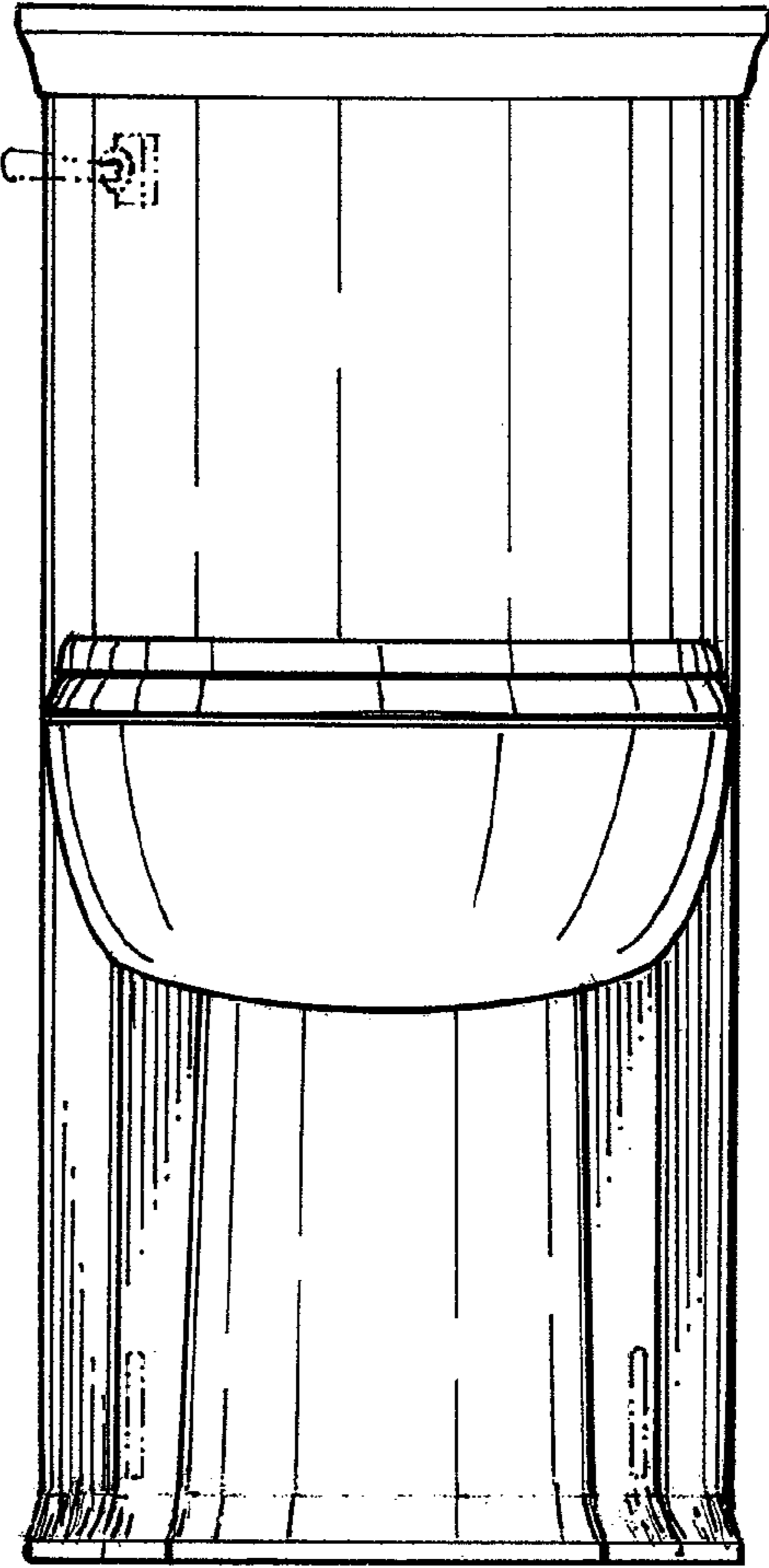


FIG. 2

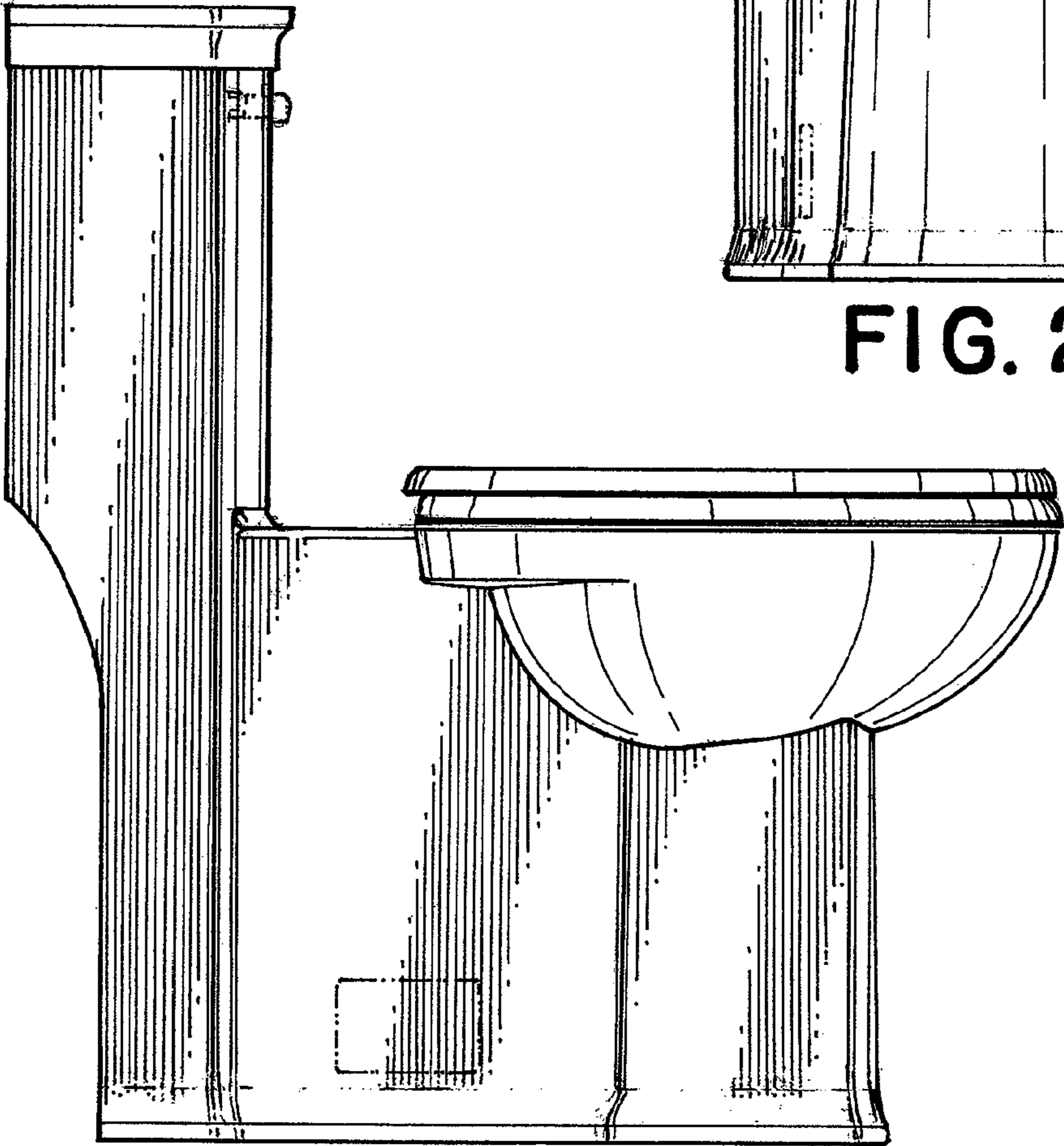
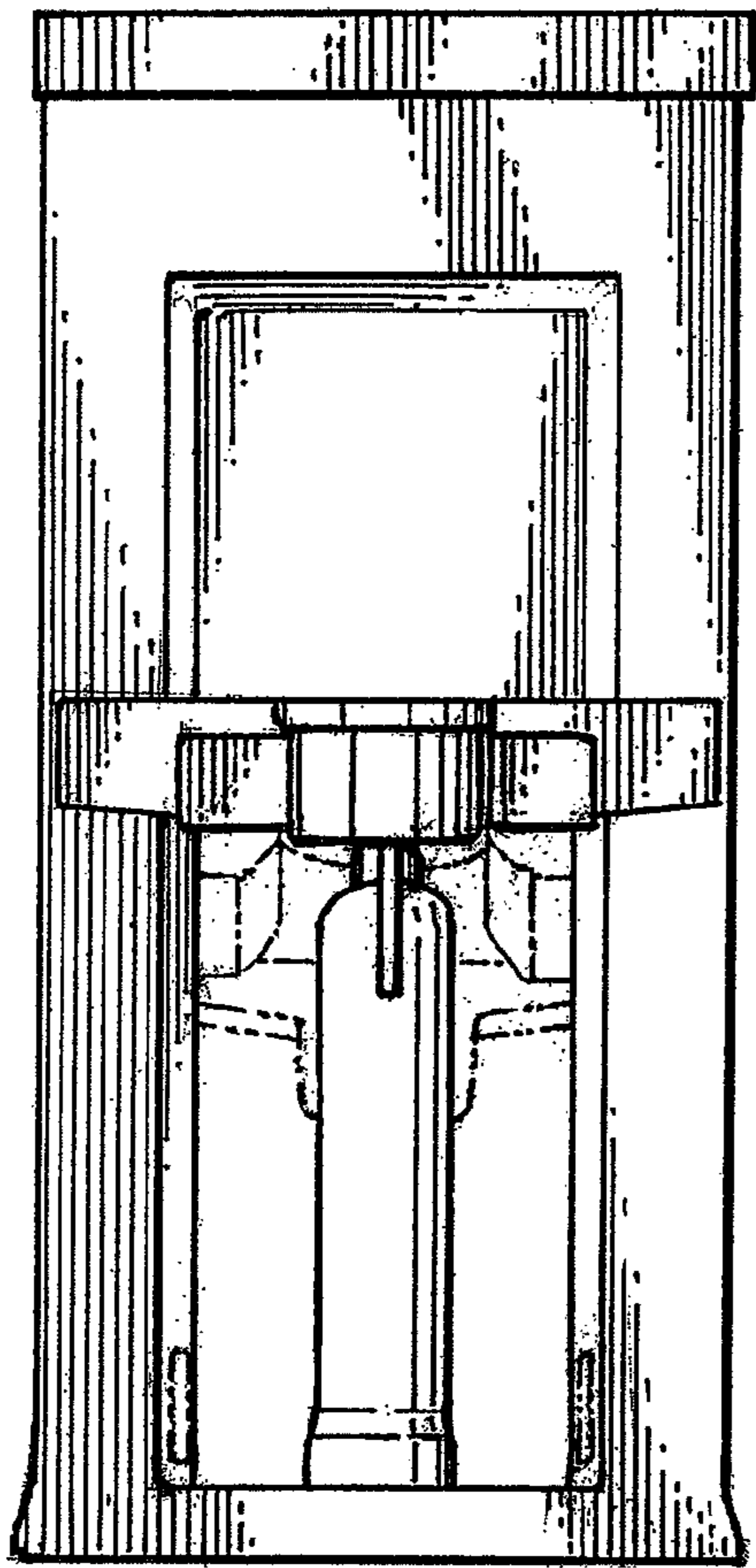
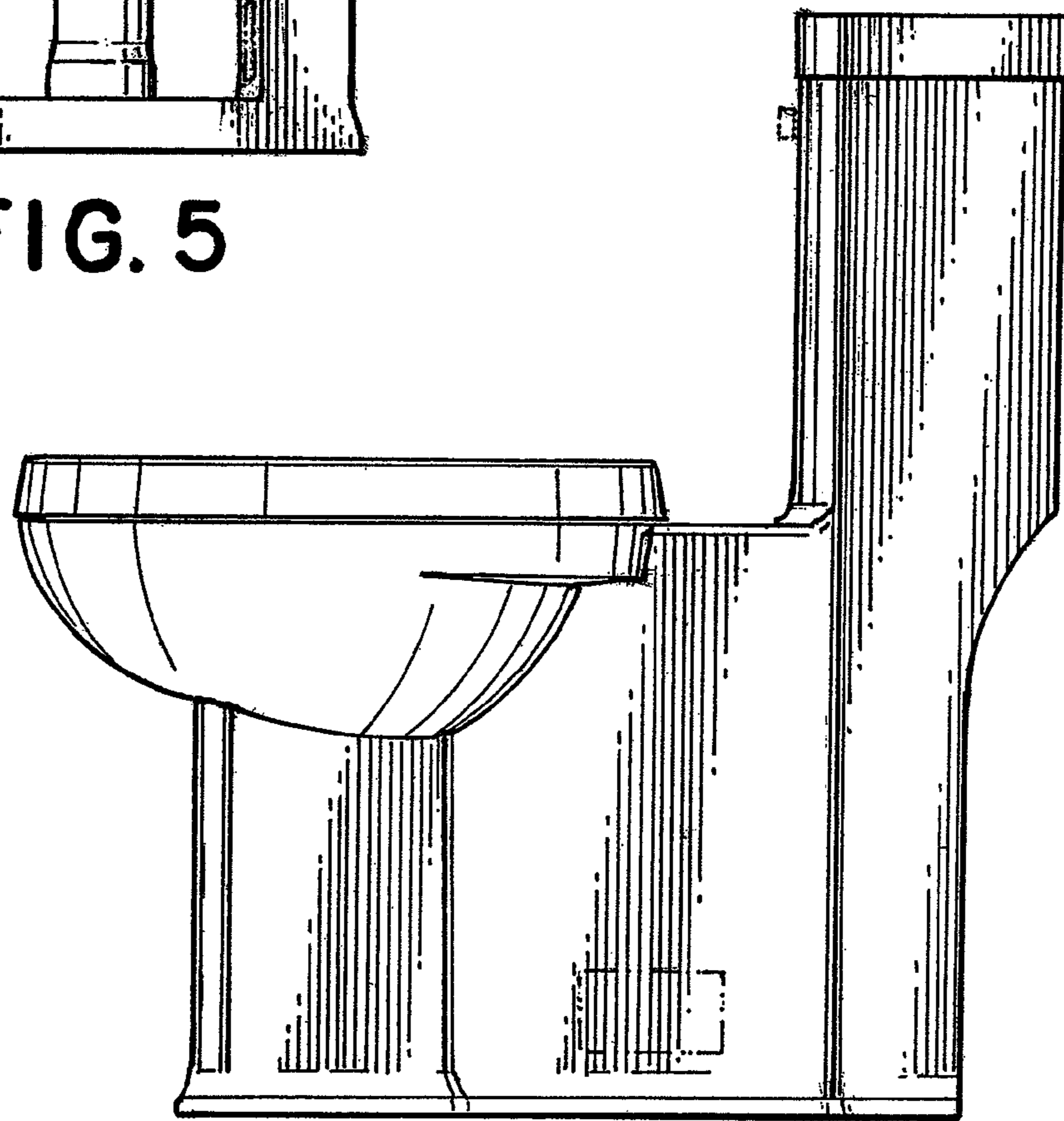


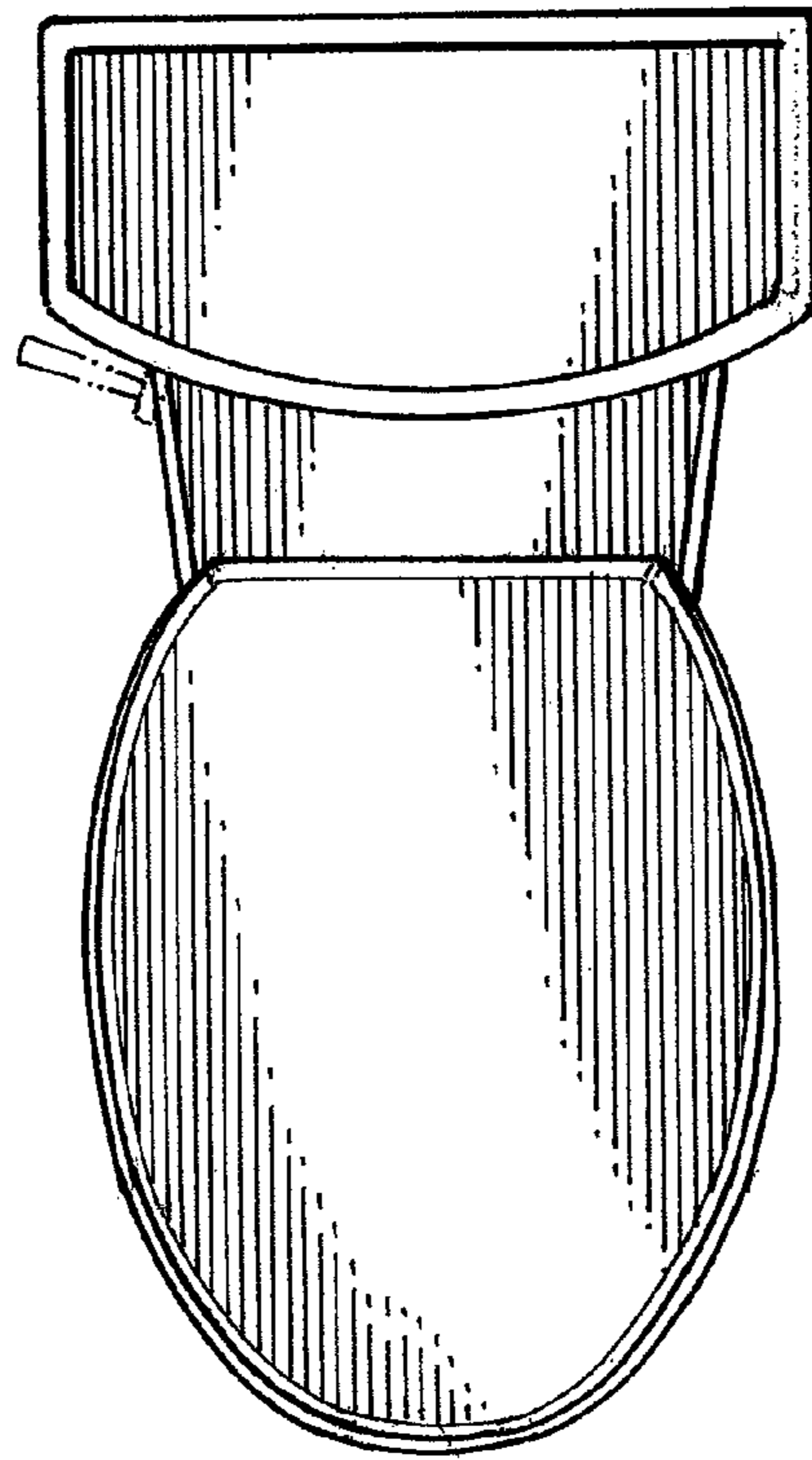
FIG. 3



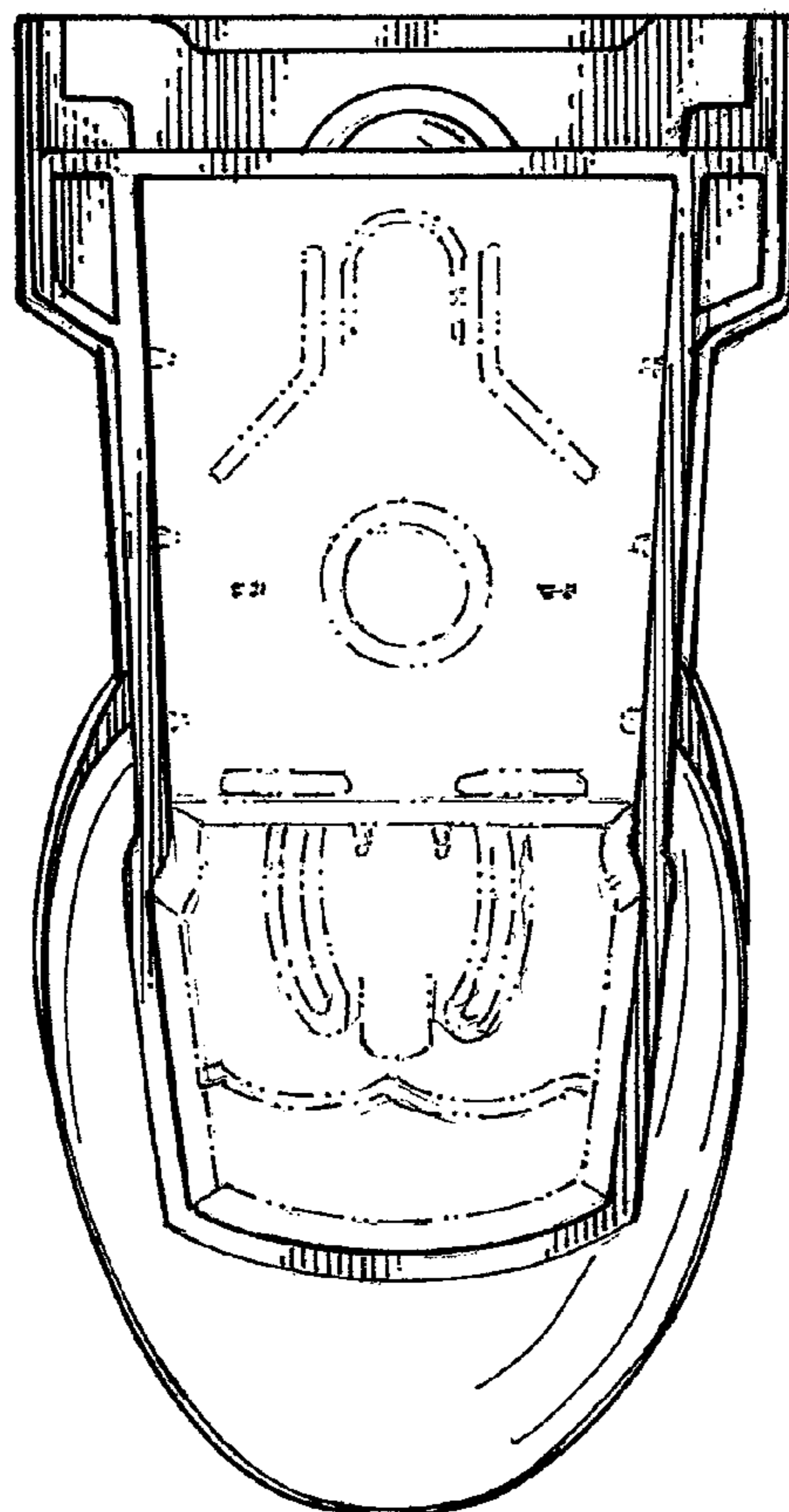
**FIG. 5**



**FIG. 4**



**FIG. 6**



**FIG. 7**