



US00D603940S

(12) **United States Design Patent**
Jerabek et al.

(10) **Patent No.:** **US D603,940 S**

(45) **Date of Patent:** **** Nov. 10, 2009**

(54) **COUPLER COLLAR**

(75) Inventors: **Jesse J. Jerabek**, Anderson, SC (US);
Jamie L. Caso, Amherst, NH (US); **Kyle S. Schumaker**, Greer, SC (US)

(73) Assignee: **Techtronic Outdoor Products Technology Limited** (BM)

(**) Term: **14 Years**

(21) Appl. No.: **29/331,994**

(22) Filed: **Feb. 6, 2009**

(51) **LOC (9) Cl.** **23-01**

(52) **U.S. Cl.** **D23/262**

(58) **Field of Classification Search** D23/259–269;
285/11–12, 7, 177, 394–395, 307, 358, 179–183,
285/423, 356, 303, 337, 1, 53, 404, 112,
285/367, 373, 915; 4/321, 323; 292/58–59
See application file for complete search history.

(56) **References Cited**

U.S. PATENT DOCUMENTS

3,184,256	A *	5/1965	Zavertnik	285/12
D329,891	S *	9/1992	Sievers	D23/262
D333,511	S *	2/1993	Mikiya et al.	D23/262
D413,657	S *	9/1999	Lidgett	D23/266
D413,967	S *	9/1999	Yuen	D23/262
5,967,491	A *	10/1999	Magnuson et al.	251/149.6
6,027,097	A *	2/2000	Humphreys	251/149.6

D445,735	S *	7/2001	Sheu	D12/607
D445,737	S *	7/2001	Sheu	D12/607
D483,096	S *	12/2003	Gotoh et al.	D23/262

* cited by examiner

Primary Examiner—T. Chase Nelson

Assistant Examiner—Eric L Goodman

(74) *Attorney, Agent, or Firm*—Michael Best & Friedrich LLP

(57) **CLAIM**

We claim the ornamental design for a coupler collar, as shown and described.

DESCRIPTION

FIG. 1 is a front perspective view of a coupler collar of the present invention.

FIG. 2 is a side perspective view of the coupler collar of FIG. 1, including a coupler shown in broken lines for illustrating an environment for the claimed design.

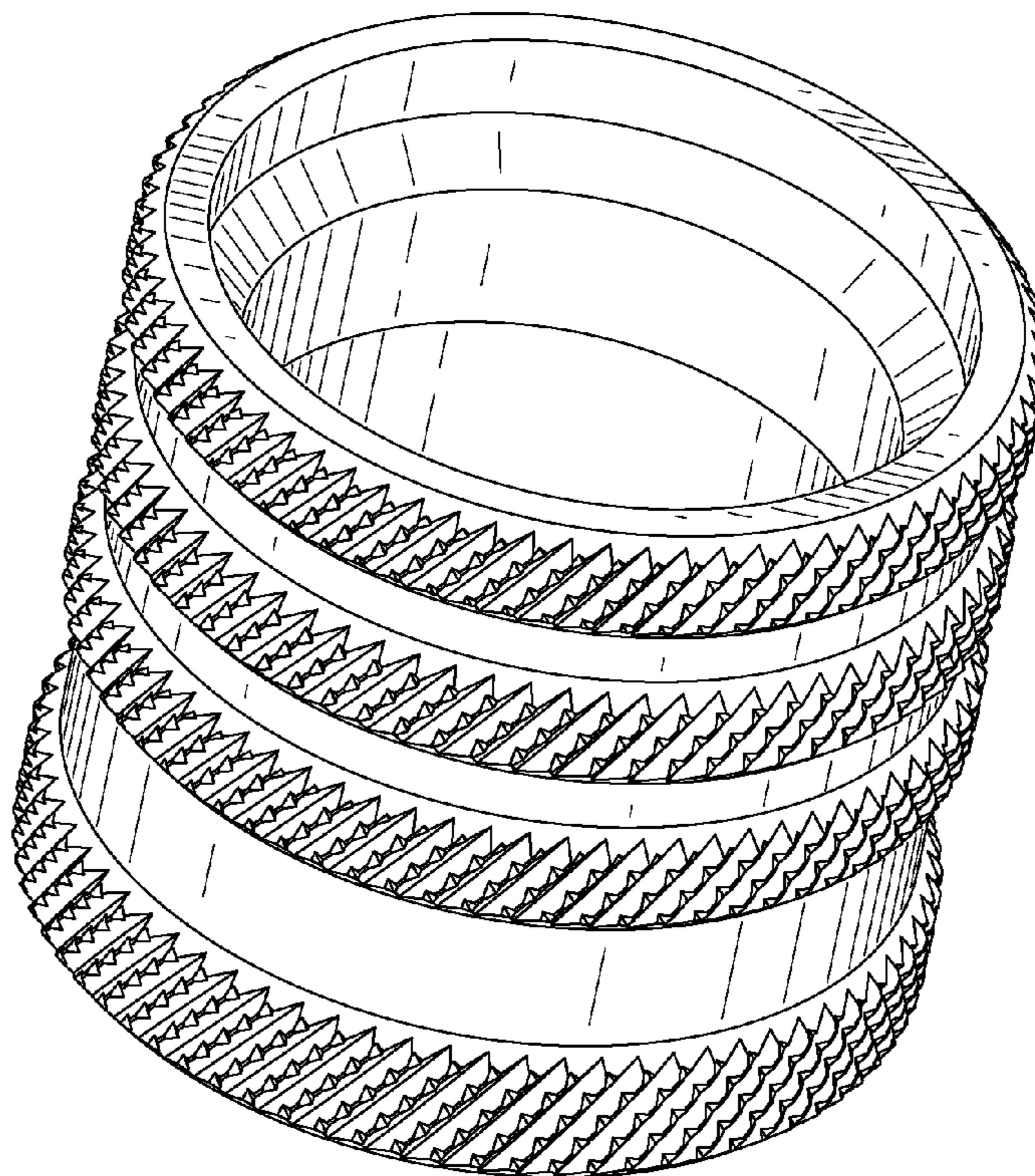
FIG. 3 is a right side view of the coupler collar of FIG. 1, with the left side view, the front view, and the rear view being identical to the right side view.

FIG. 4 is a top view of the coupler collar of FIG. 1; and,

FIG. 5 is a bottom view of the coupler collar of FIG. 1.

The portions of the coupler shown in broken lines are included for the purpose of illustrating environment and form no part of the claimed design.

1 Claim, 3 Drawing Sheets



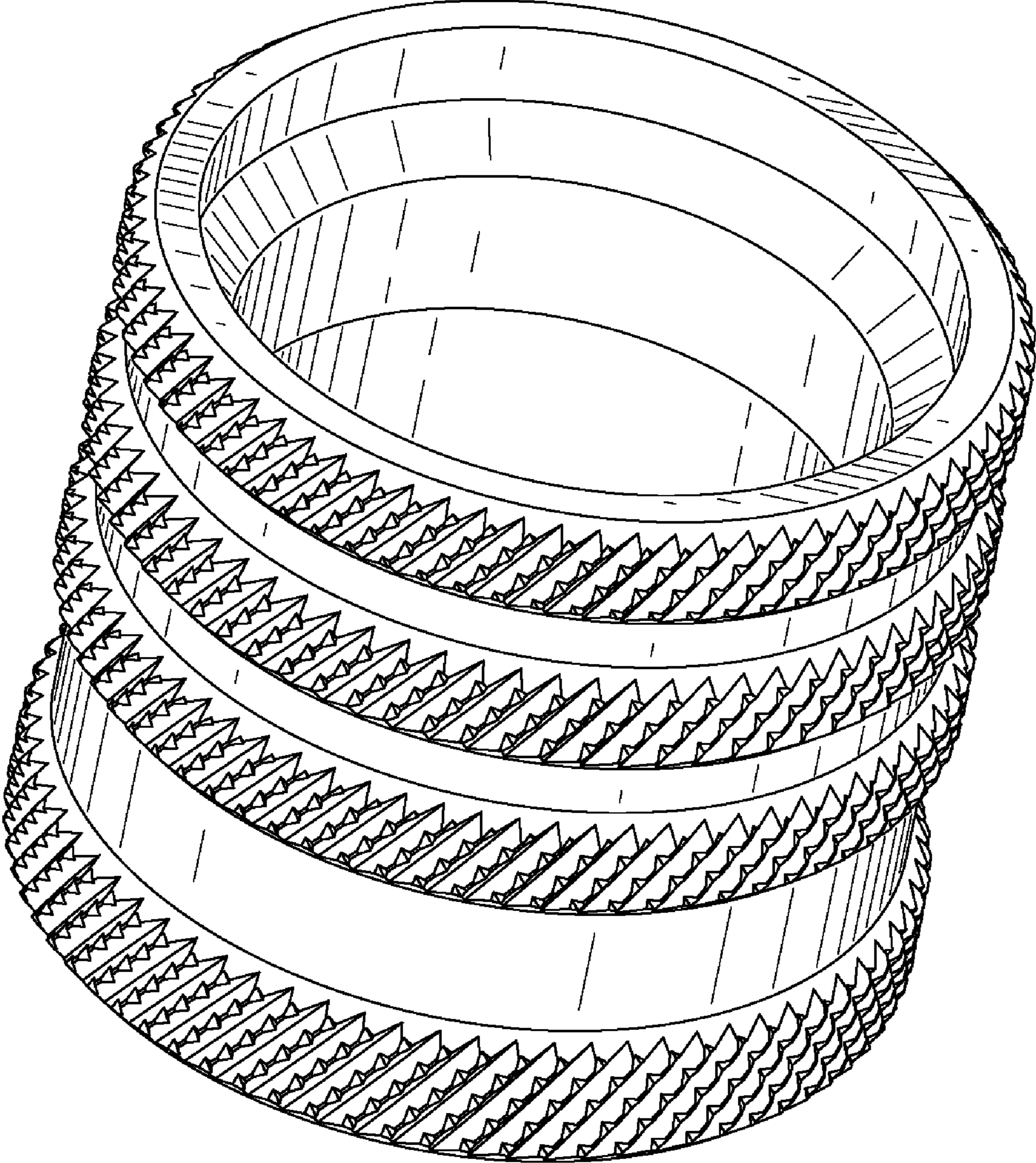


FIG. 1

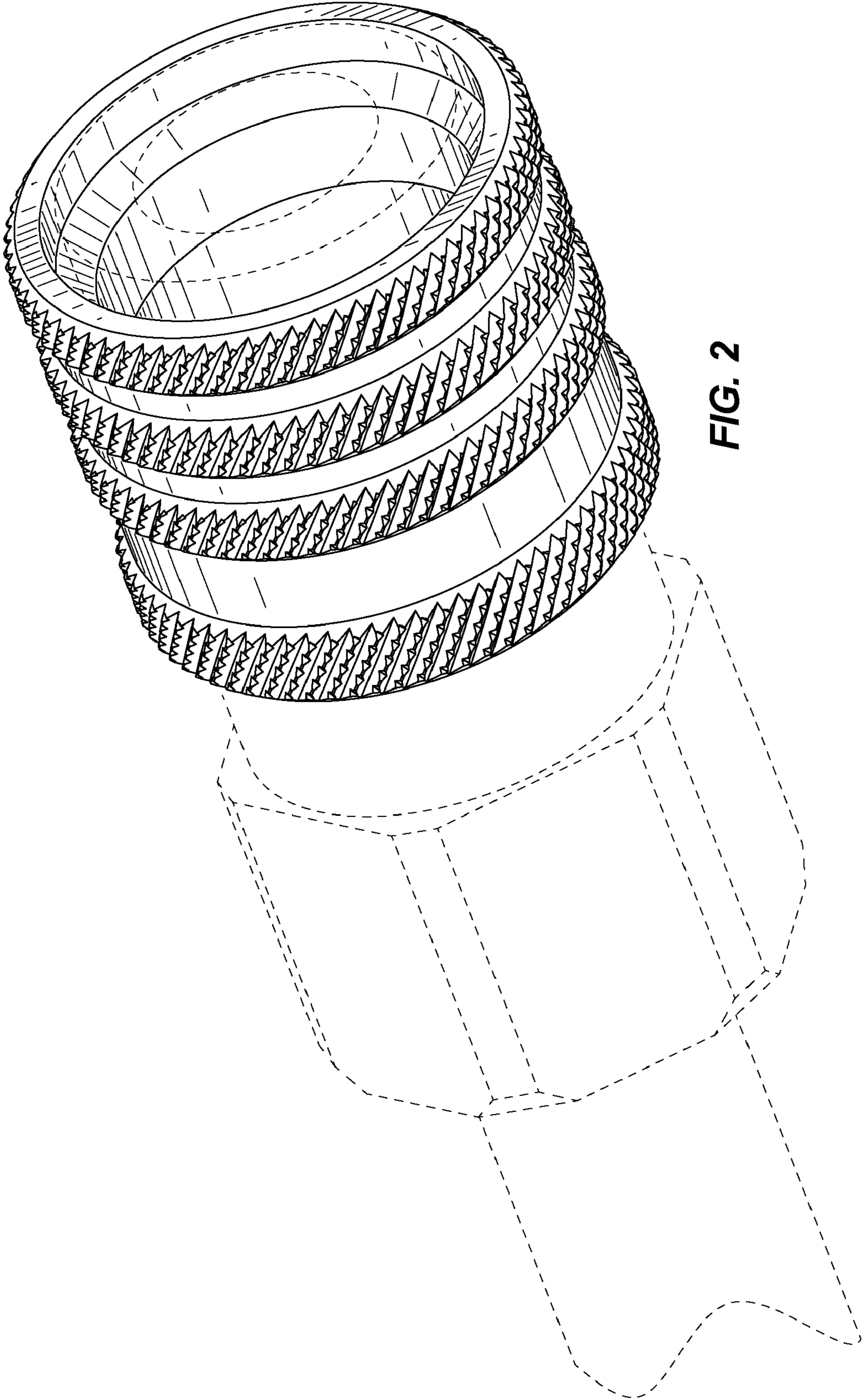


FIG. 2

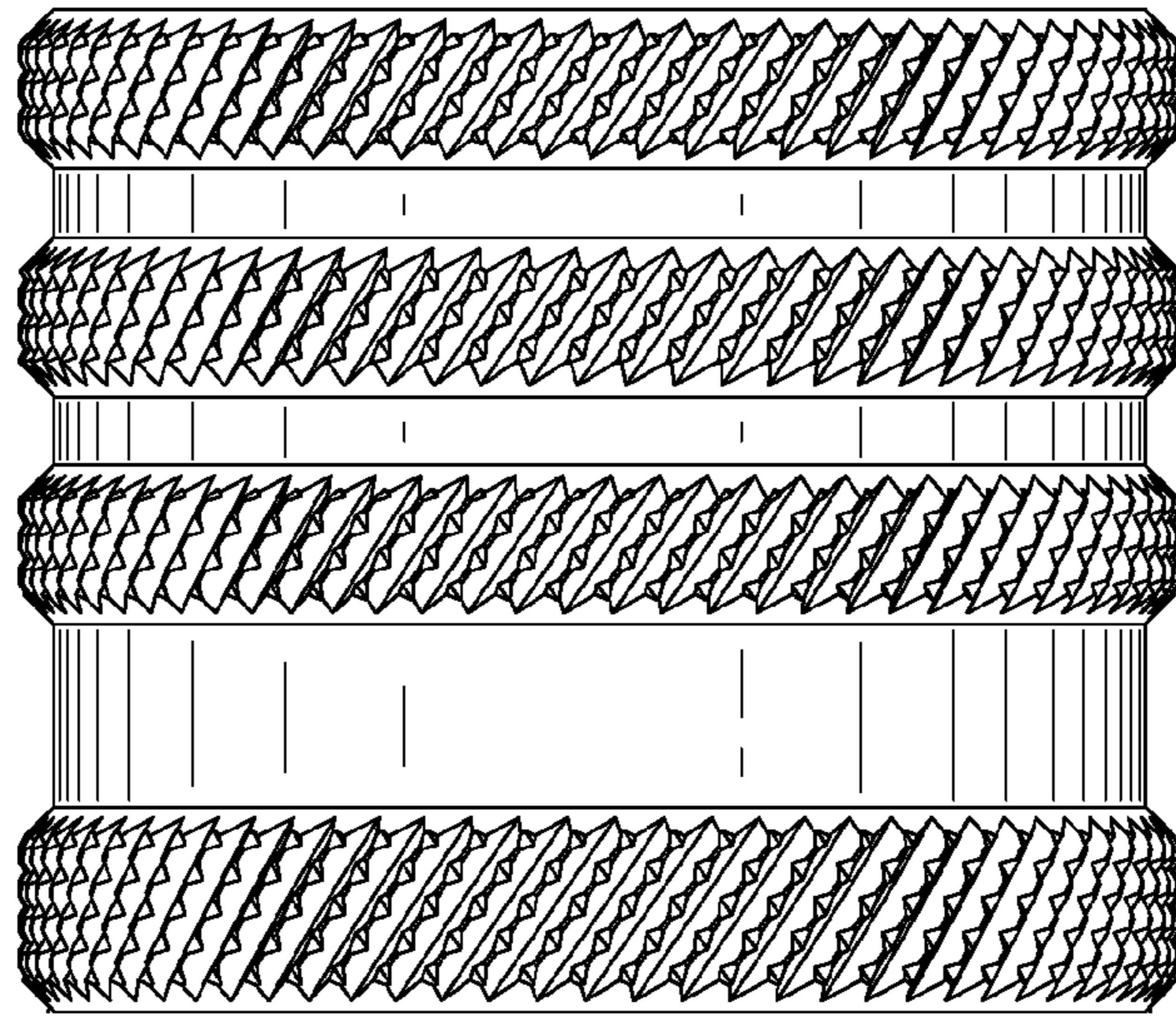


FIG. 3

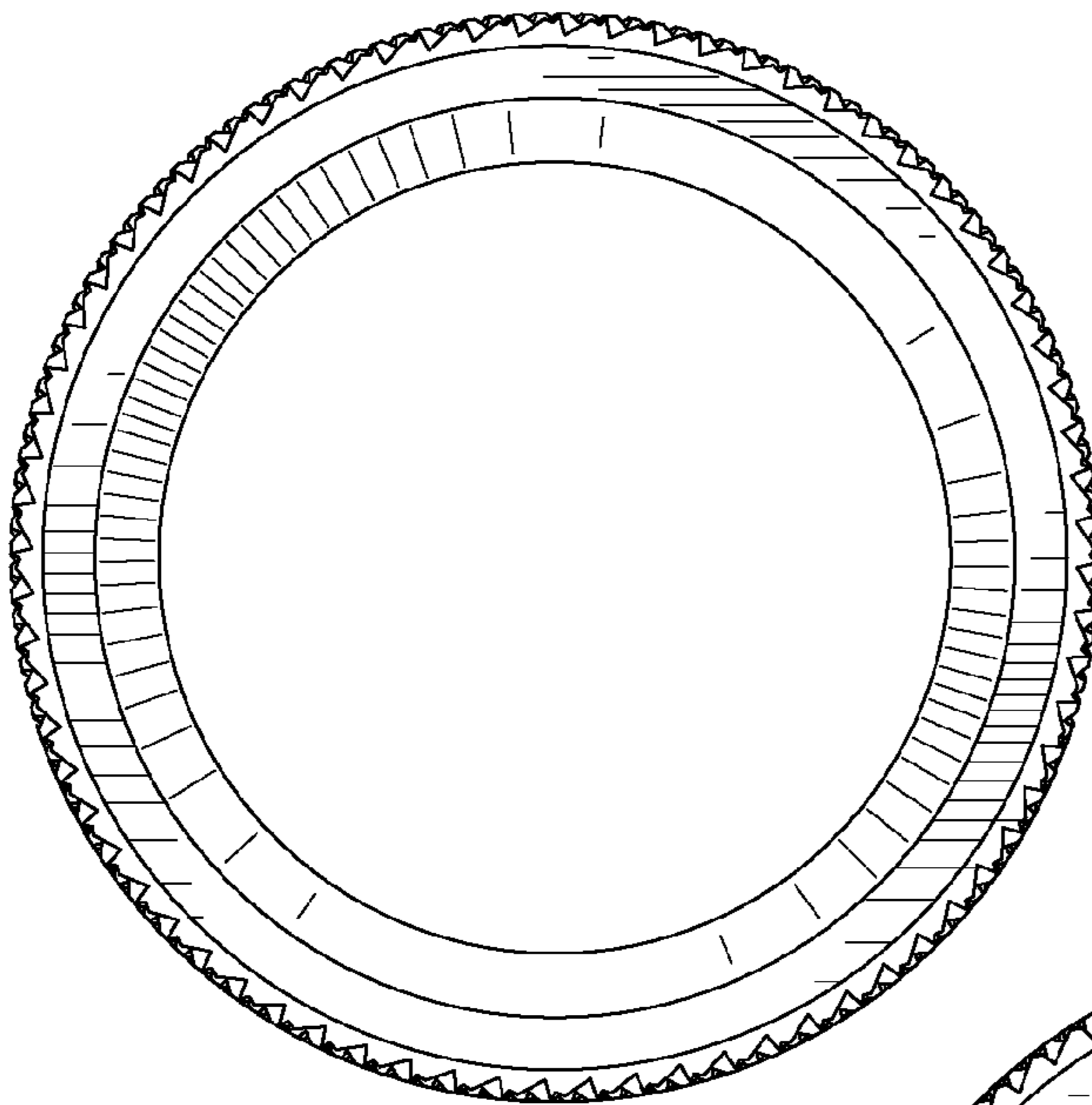


FIG. 4

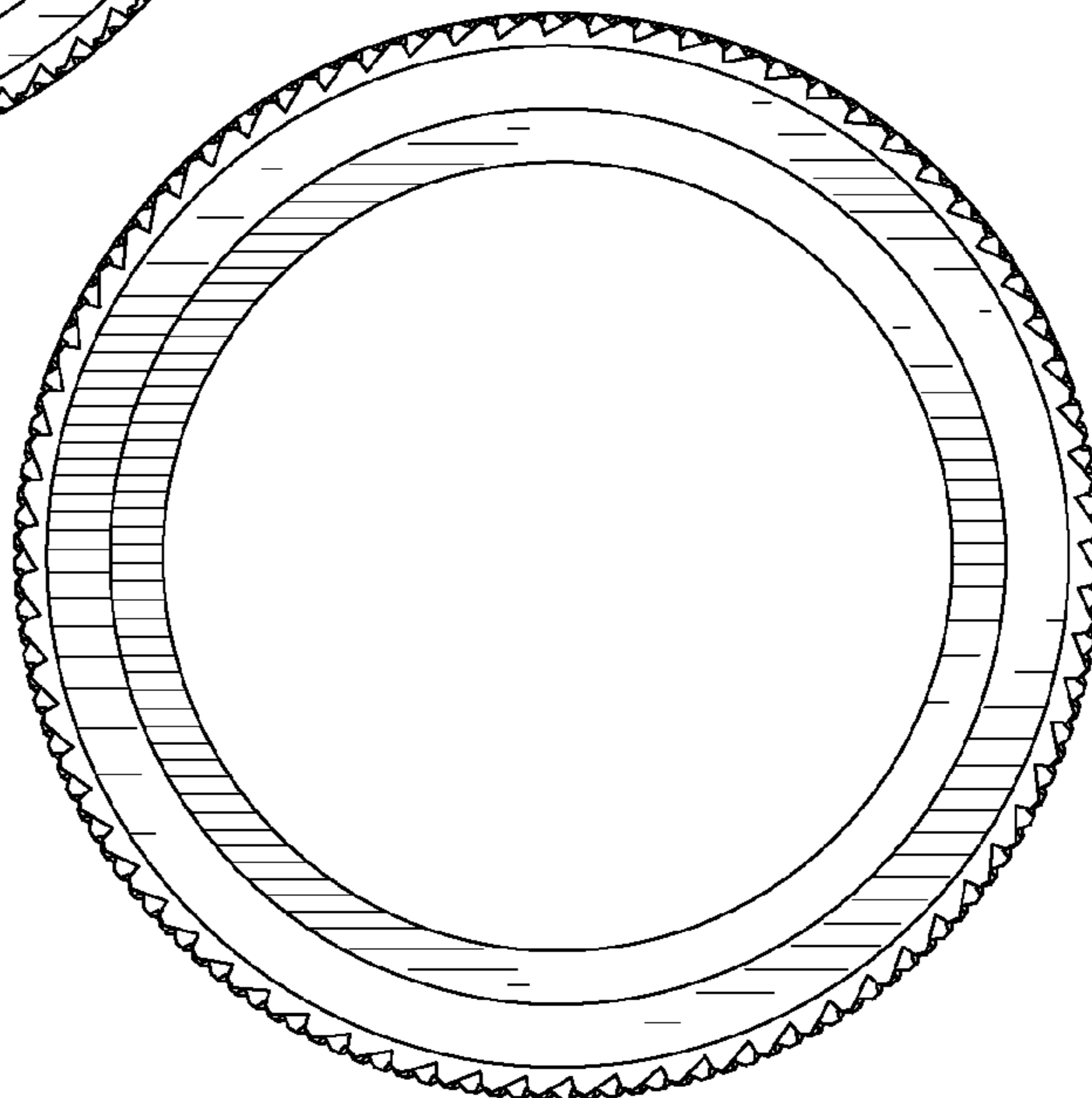


FIG. 5