



US00D603937S

(12) **United States Design Patent**
Tejamo

(10) **Patent No.:** **US D603,937 S**

(45) **Date of Patent:** **** Nov. 10, 2009**

(54) **BALL VALVE FOR MOUNTING UNTO A FLAT SURFACE**

7,530,370 B2 * 5/2009 Gross 137/899.2

* cited by examiner

(76) **Inventor:** **Cesar Tejamo**, 146 W. 3rd St., Stockton, CA (US) 95206

Primary Examiner—Cathron C. Brooks

Assistant Examiner—Maurice Stevens

(**) **Term:** **14 Years**

(57) **CLAIM**

(21) **Appl. No.:** **29/301,949**

The ornamental design for a ball valve for mounting unto a flat surface, as shown and described.

(22) **Filed:** **Mar. 25, 2008**

DESCRIPTION

(51) **LOC (9) Cl.** **23-01**

FIG. 1 is a front, side and top perspective view;

(52) **U.S. Cl.** **D23/233**

FIG. 2 is a front elevational view;

(58) **Field of Classification Search** D23/233–237, D23/244–249, 259, 272; 251/143, 148, 152, 251/309; 137/240, 412, 533, 801, 11

FIG. 3 is a side elevational view;

FIG. 4 is a top plan view;

See application file for complete search history.

FIG. 5 is a bottom plan view

FIG. 6 is a rear elevational view; and,

(56) **References Cited**

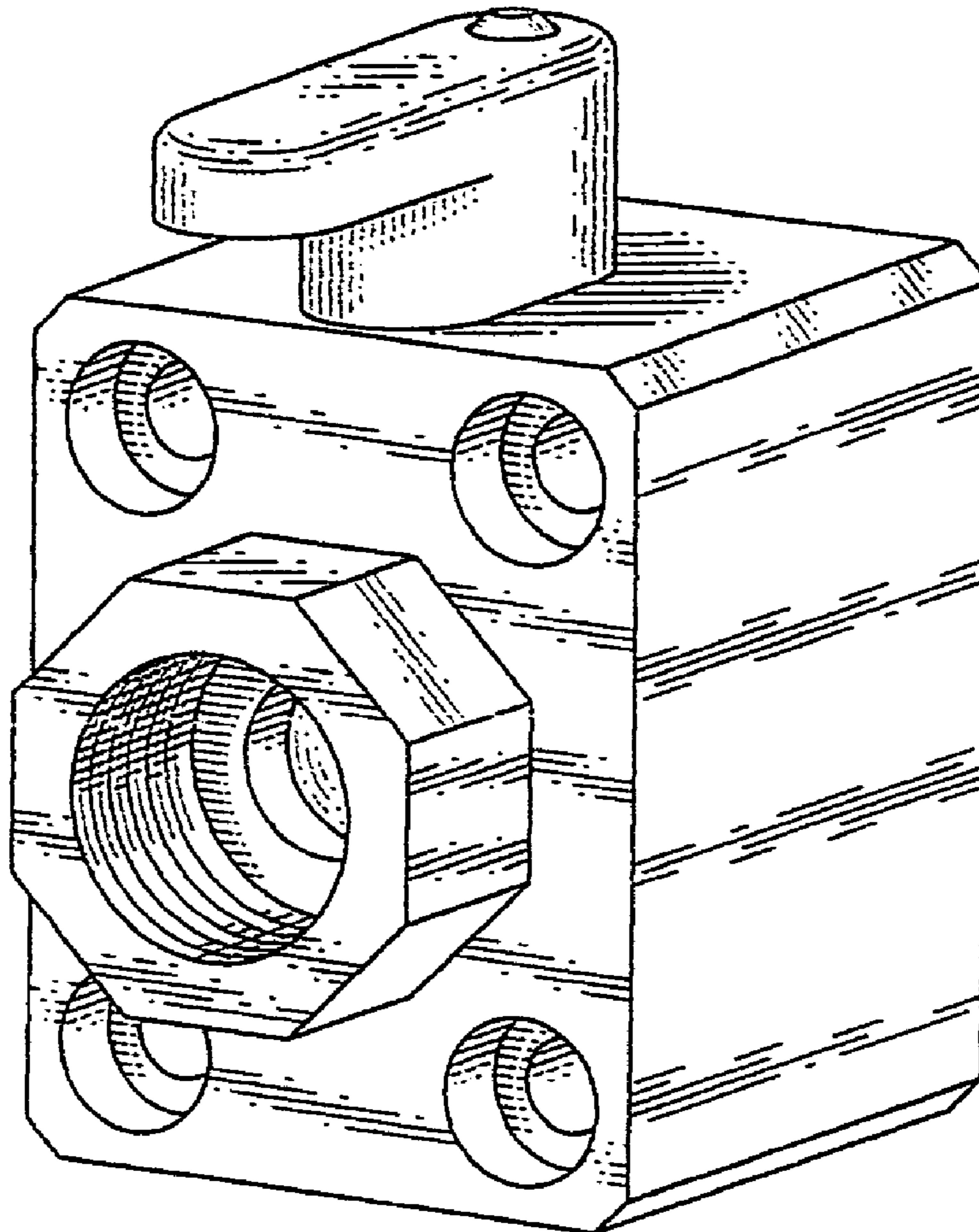
U.S. PATENT DOCUMENTS

FIG. 7 is a perspective view illustrating use of the invention, the broken lines forming no part of the claimed design.

The broken lines in FIG. 6 form no part of the claimed design.

4,235,003	A *	11/1980	Gachot	29/890.129
5,429,151	A *	7/1995	Millett et al.	137/315.18
6,185,821	B1 *	2/2001	Wu	29/890.129
7,325,784	B2 *	2/2008	An	251/315.05

1 Claim, 2 Drawing Sheets



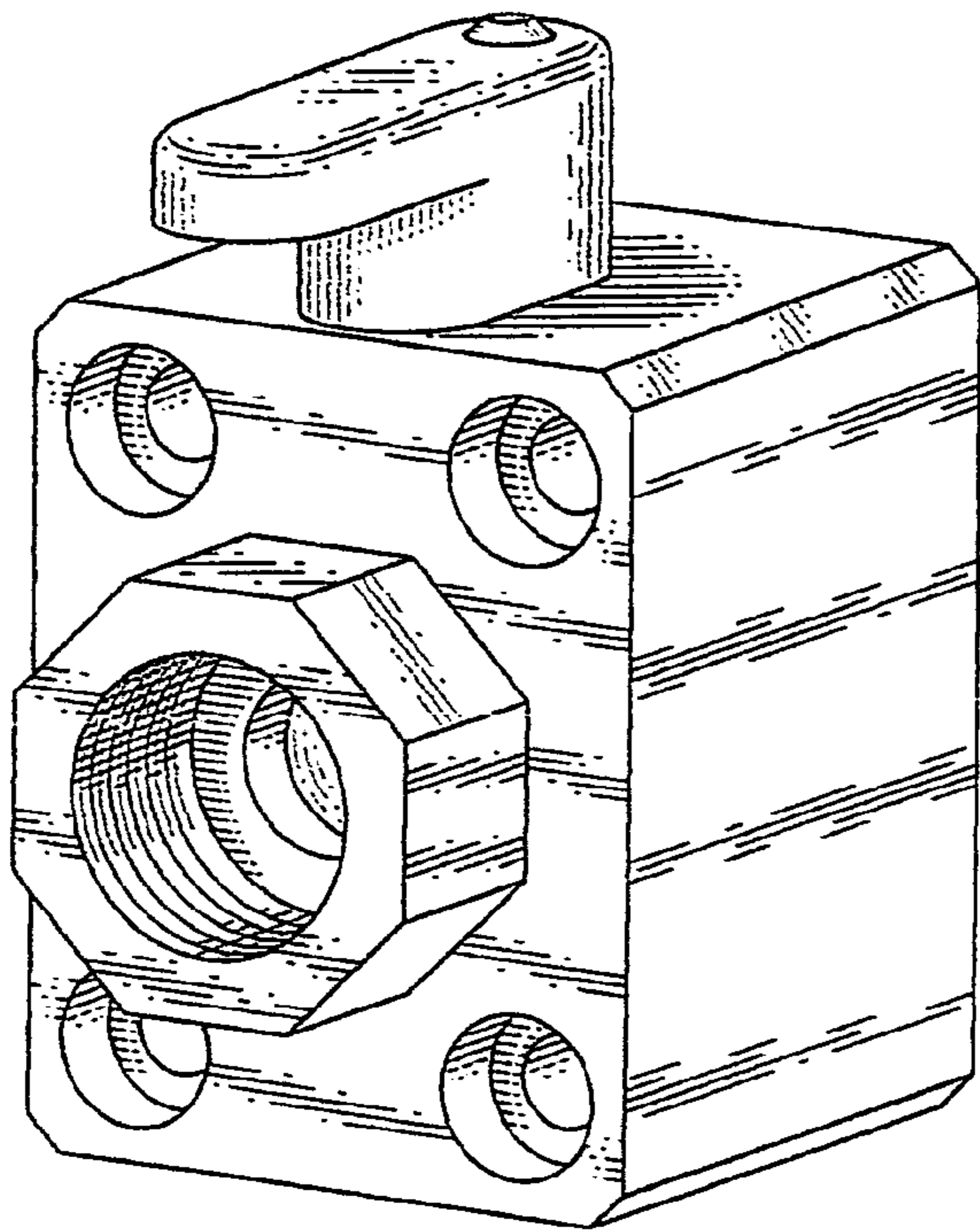


Fig. 1

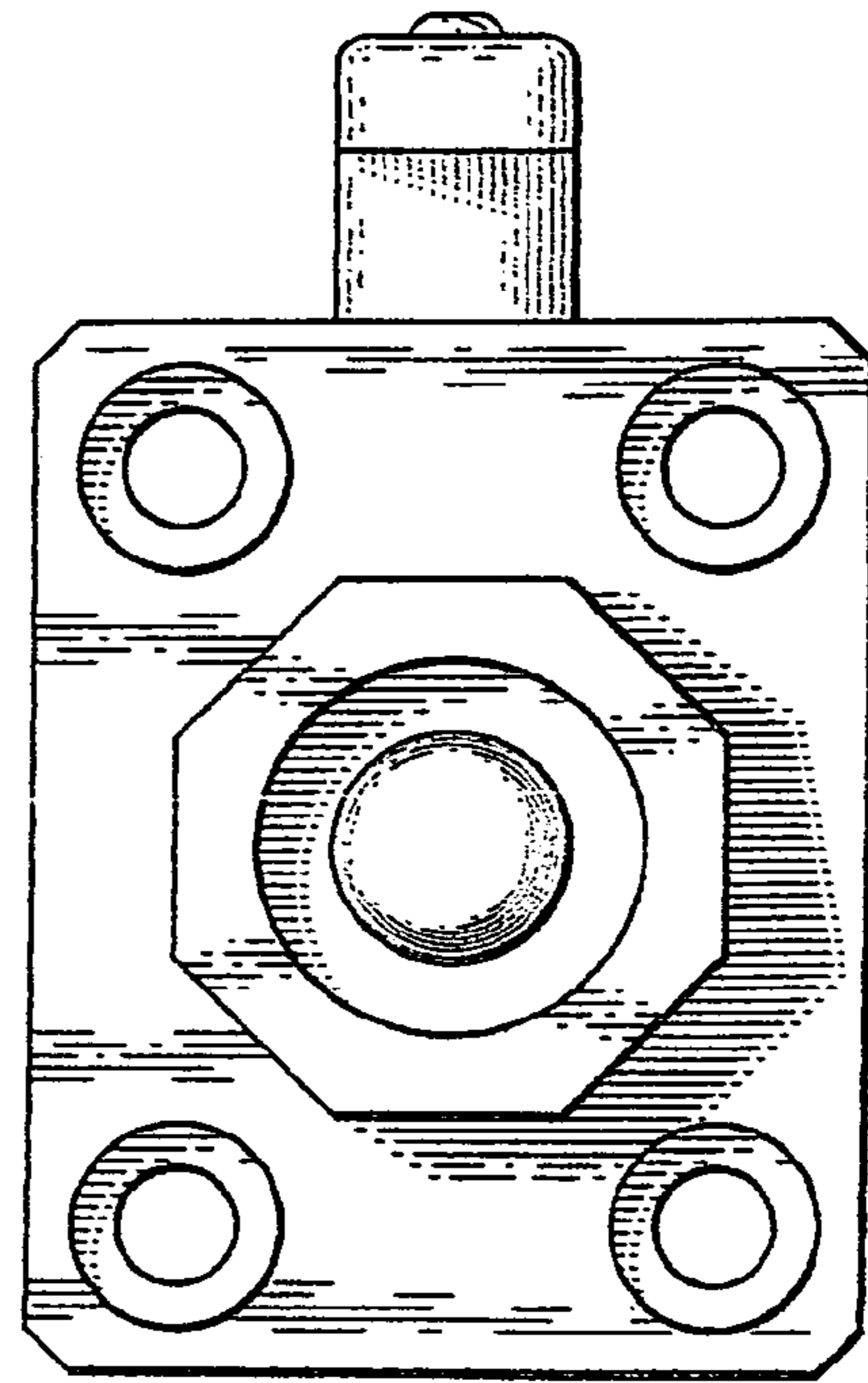


Fig. 2

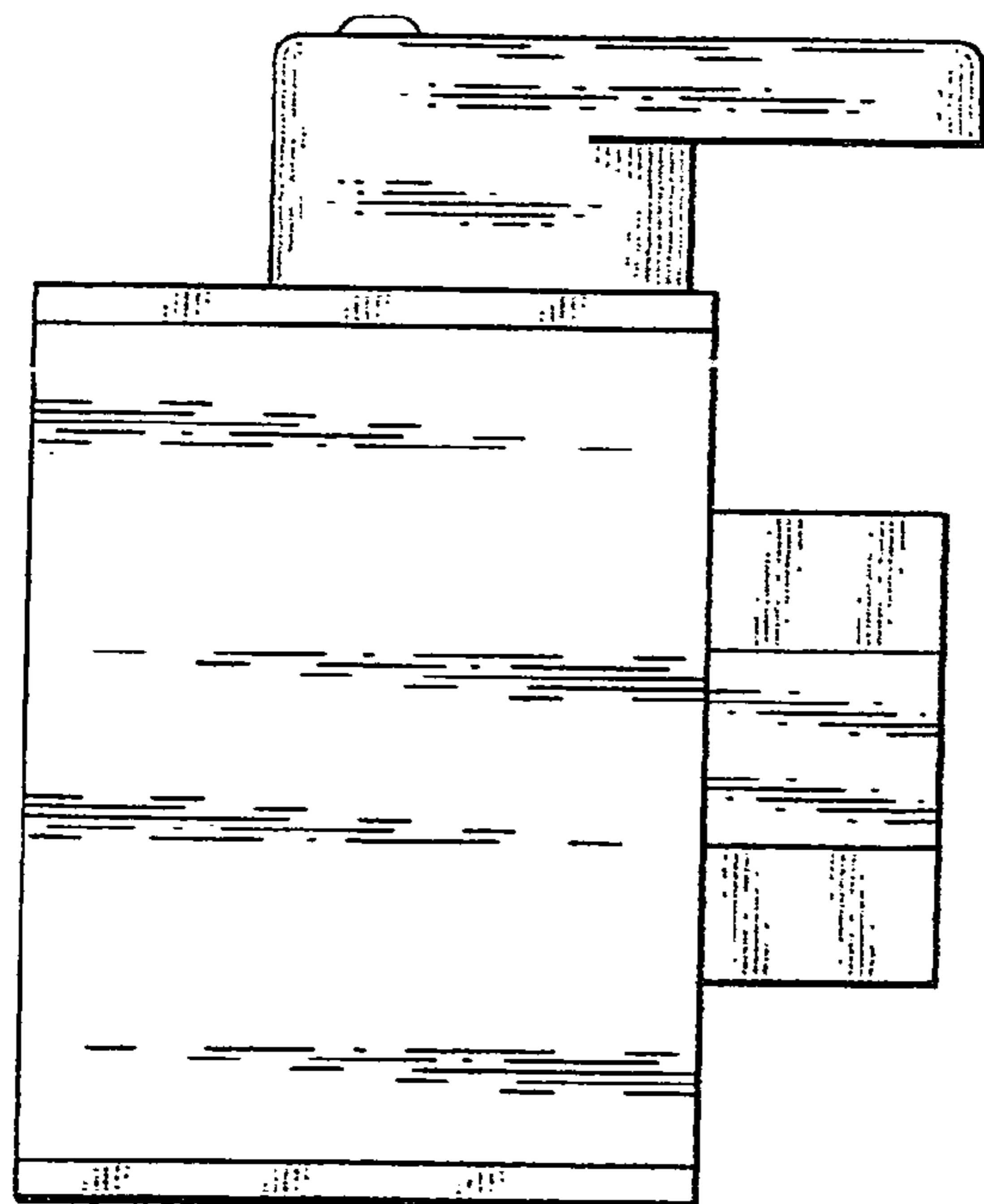


Fig. 3

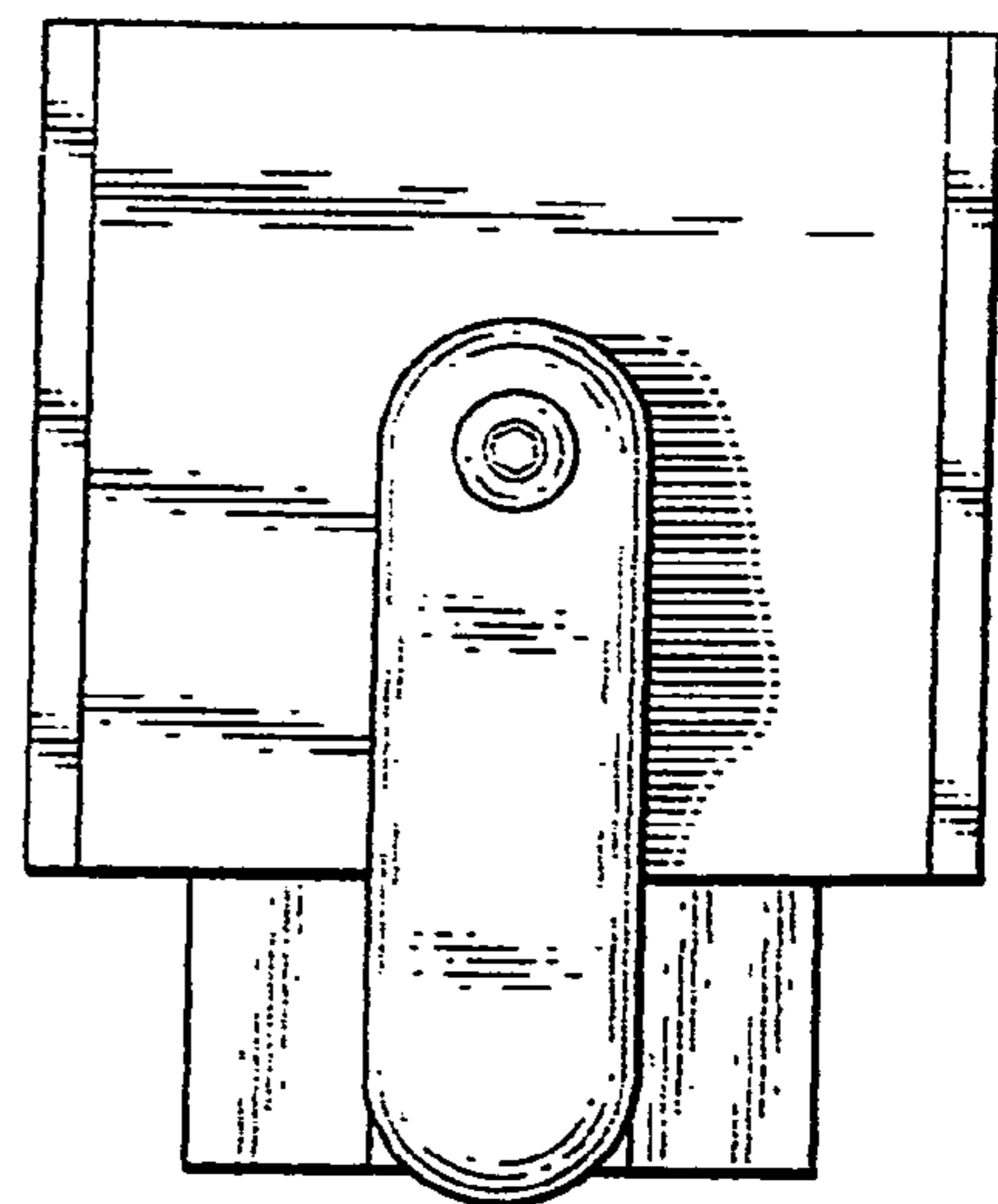


Fig. 4

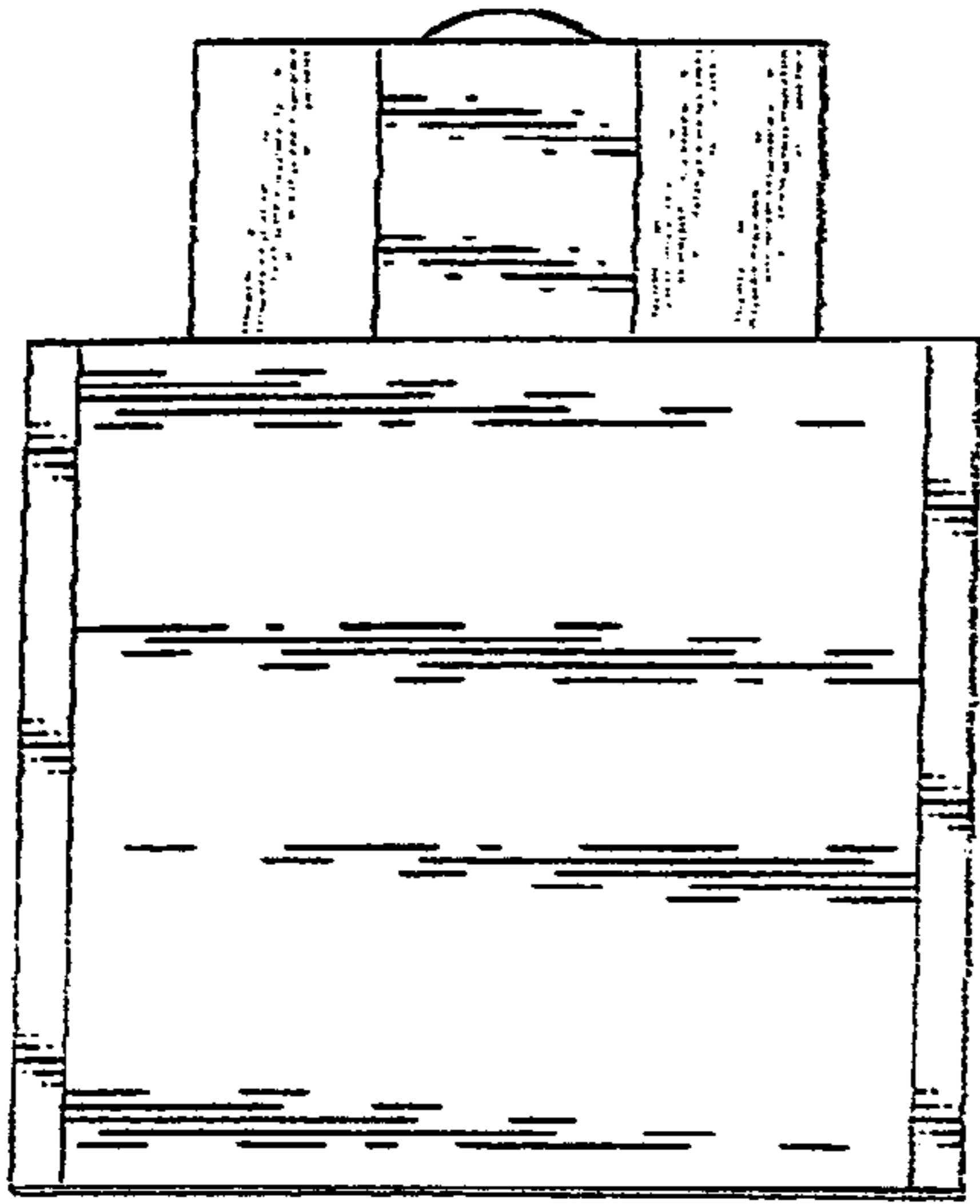


Fig. 5

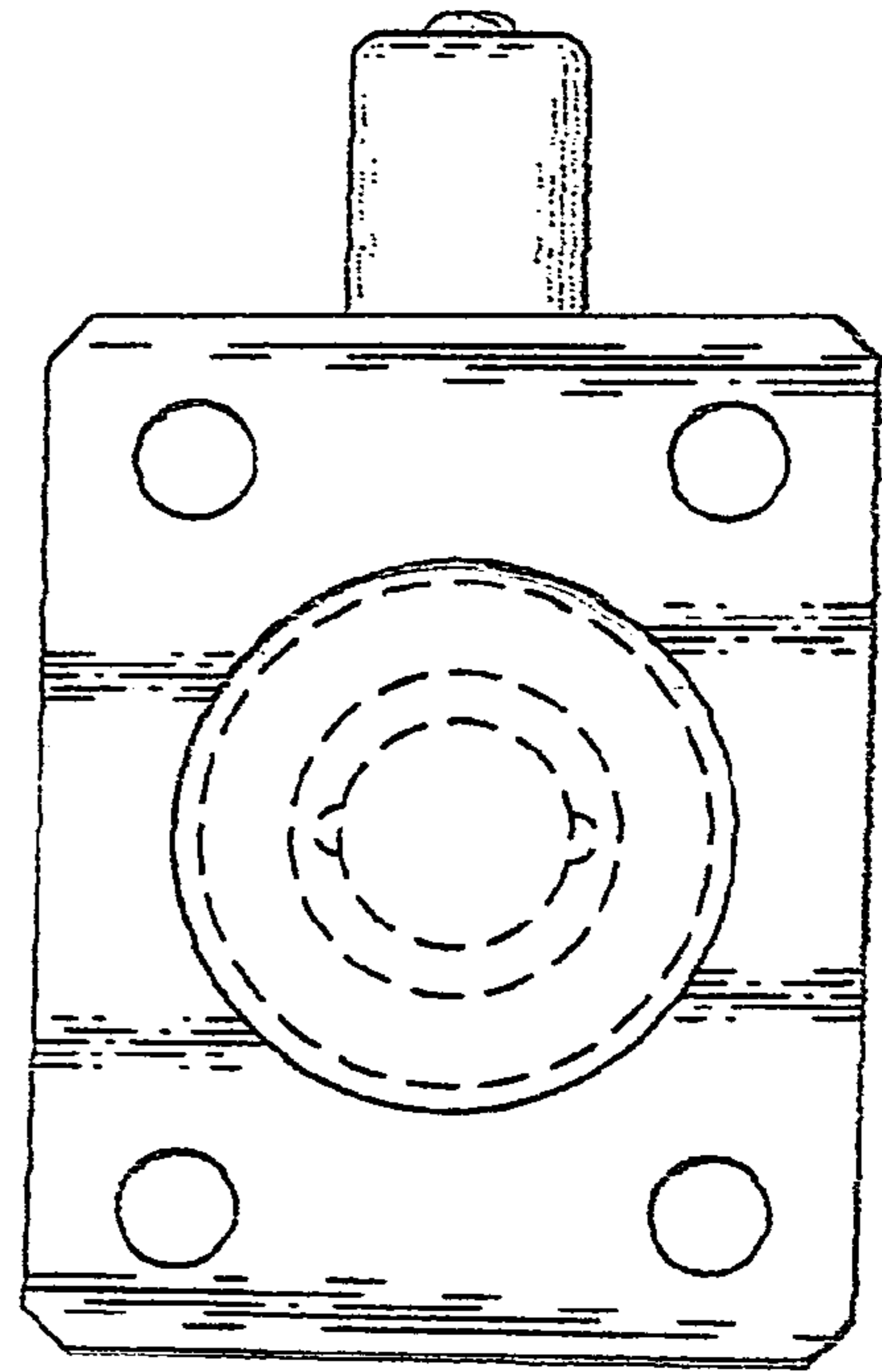


Fig. 6

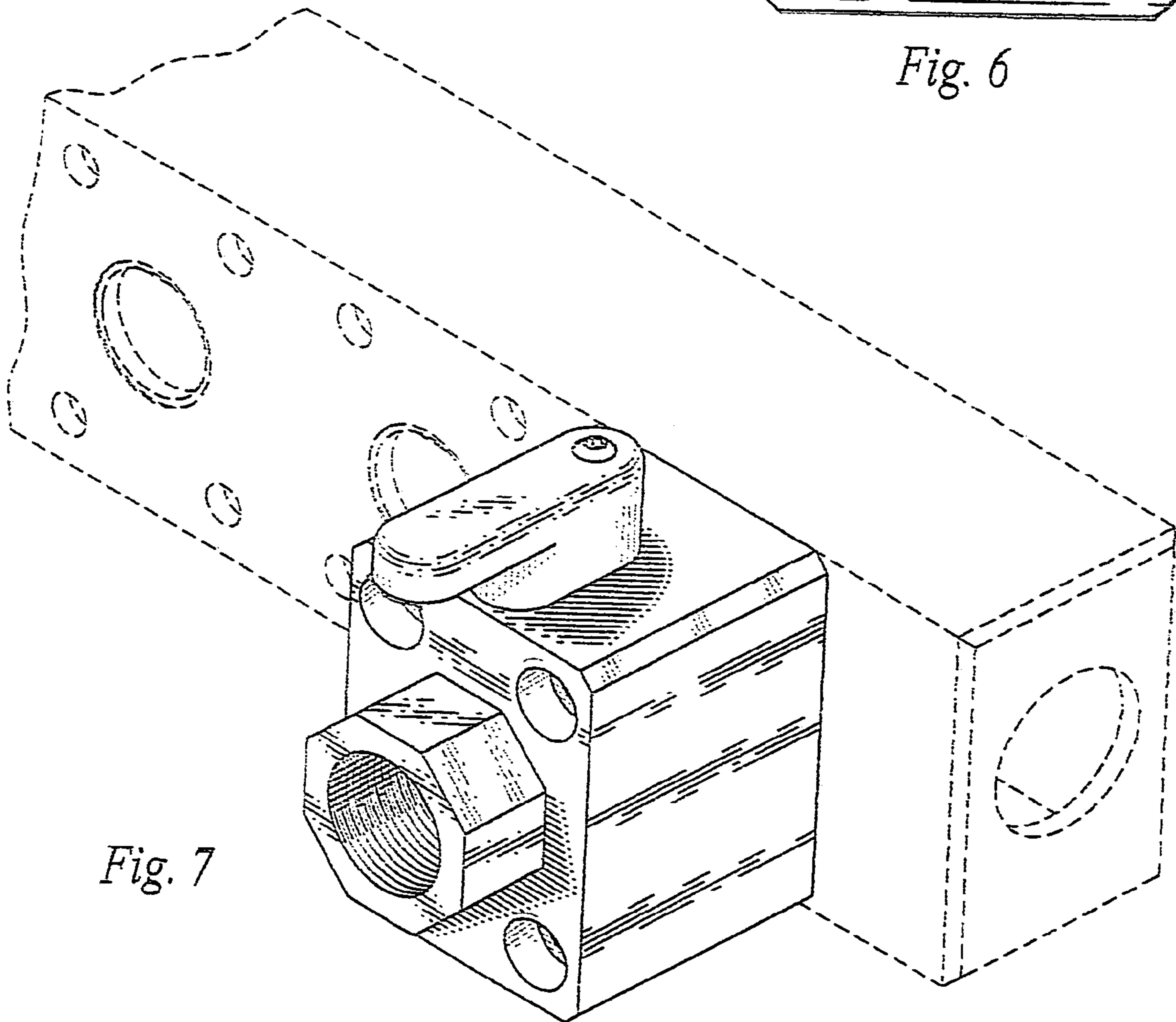


Fig. 7