

US00D603933S

(12) **United States Design Patent**
Costanzo

(10) **Patent No.:** **US D603,933 S**

(45) **Date of Patent:** **** *Nov. 10, 2009**

(54) **MAGNETIC FLUID CONDITIONER**

(75) Inventor: **Sharon M. Costanzo**, Roseburg, OR
(US)

(73) Assignee: **GMX International**, Chino, CA (US)

(*) Notice: This patent is subject to a terminal disclaimer.

(**) Term: **14 Years**

(21) Appl. No.: **29/328,339**

(22) Filed: **Nov. 21, 2008**

(51) **LOC (9) Cl.** **23-01**

(52) **U.S. Cl.** **D23/207**

(58) **Field of Classification Search** D23/207,
D23/209; 210/222, 223; 335/296
See application file for complete search history.

(56) **References Cited**

U.S. PATENT DOCUMENTS

D289,674 S *	5/1987	Kulish	D23/207
D299,266 S *	1/1989	Kulish	D23/207
D323,699 S *	2/1992	Ambrose	D23/207
D331,274 S *	11/1992	Kashani	D23/207
6,377,147 B1 *	4/2002	Chang	335/296
D475,117 S *	5/2003	Sacs	D23/207
D516,666 S *	3/2006	Goran	D23/207

* cited by examiner

Primary Examiner—Robin V Webster

(74) *Attorney, Agent, or Firm*—Marger Johnson & McCollom, P.C.

(57) **CLAIM**

The ornamental design for a magnetic fluid conditioner, as shown and described.

DESCRIPTION

FIG. 1 is a top and side perspective view of a magnetic fluid conditioner showing my new design, shown in its intended use;

FIG. 2 is another top and side perspective view thereof, shown in a different environment;

FIG. 3 is a rear perspective view thereof;

FIG. 4 is a top view thereof;

FIG. 5 is a rear elevation view thereof;

FIG. 6 is a right side elevation thereof, the left view being a mirror image; and,

FIG. 7 is a front elevation view thereof.

The broken line showing of a pipe, screws and a second conditioner in FIG. 1, the pipe, back plate and screws in FIG. 2 and the boundary of the screw holes in FIGS. 3, 5 and 7 is included for the purpose of illustrating and forms no part of the claimed design.

1 Claim, 5 Drawing Sheets

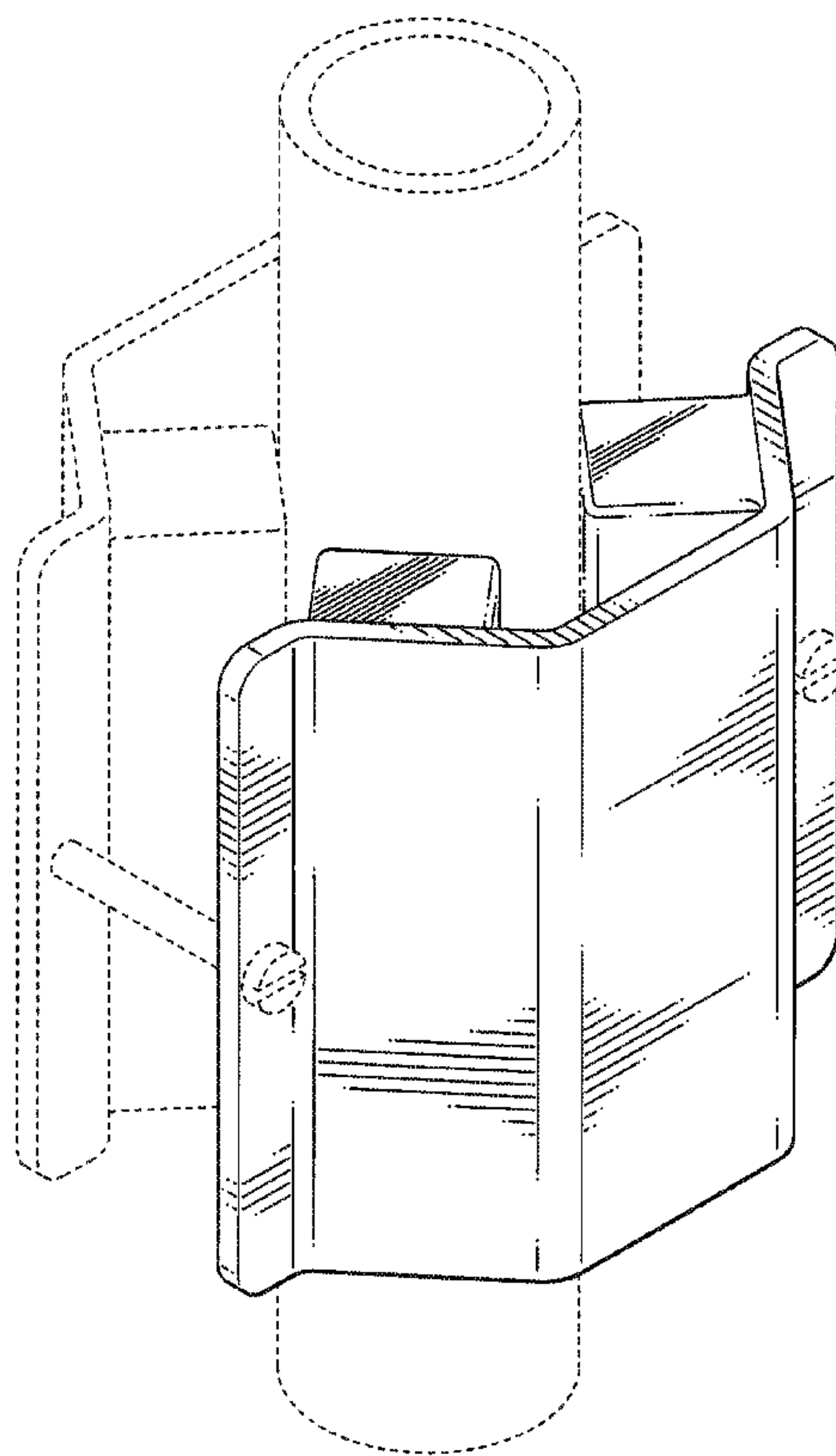


FIG. 1

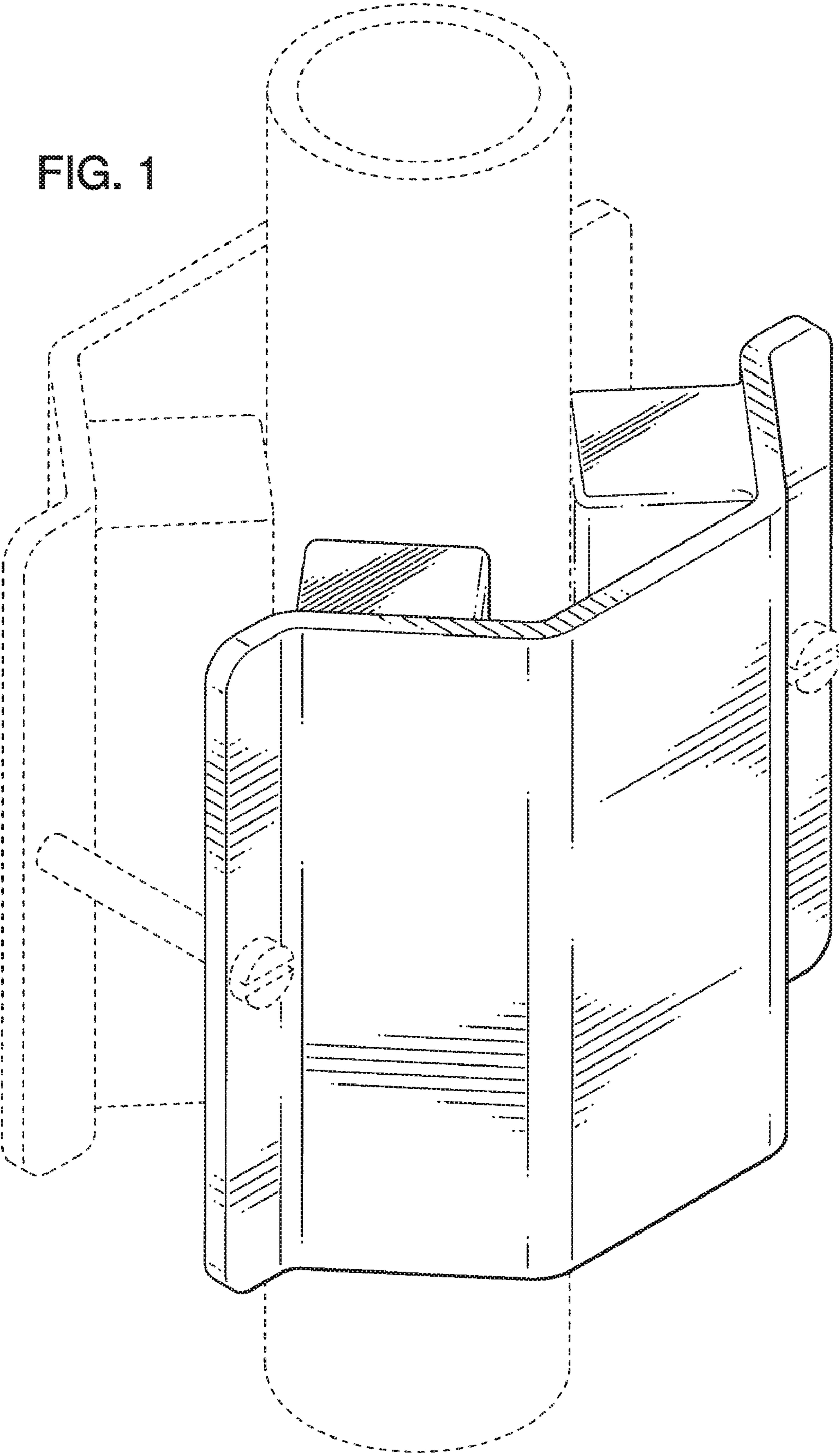
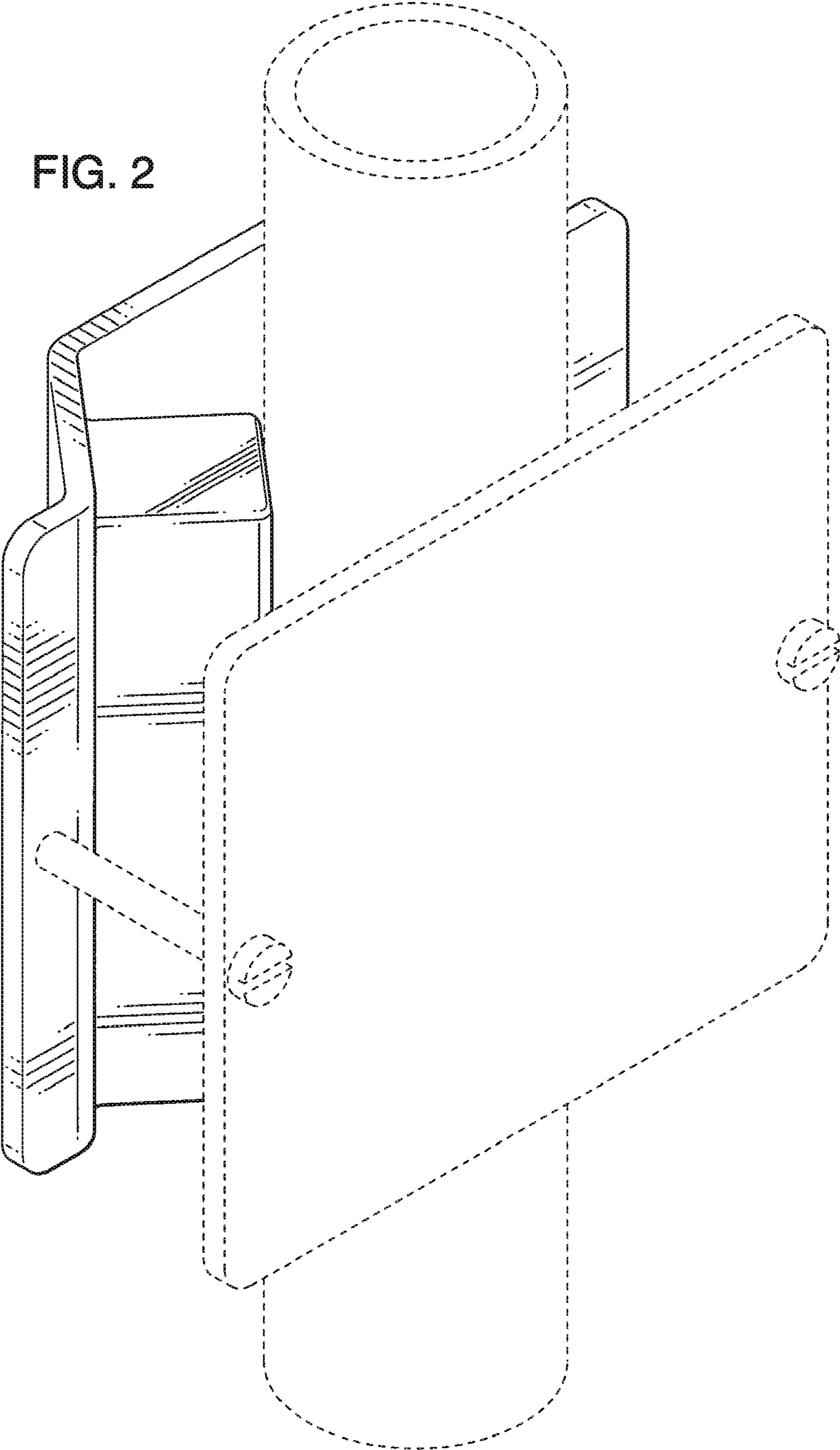


FIG. 2



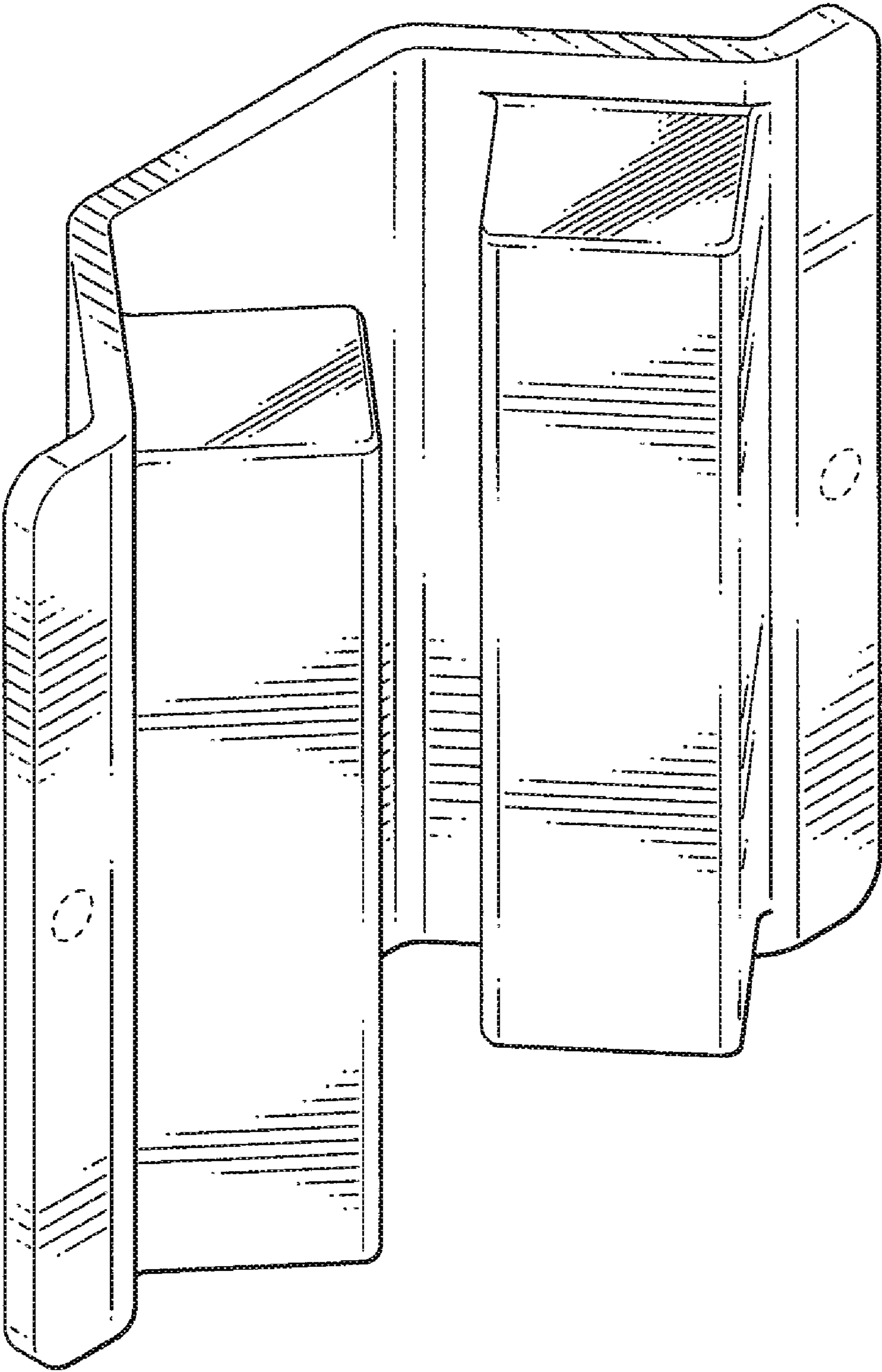


FIG. 3

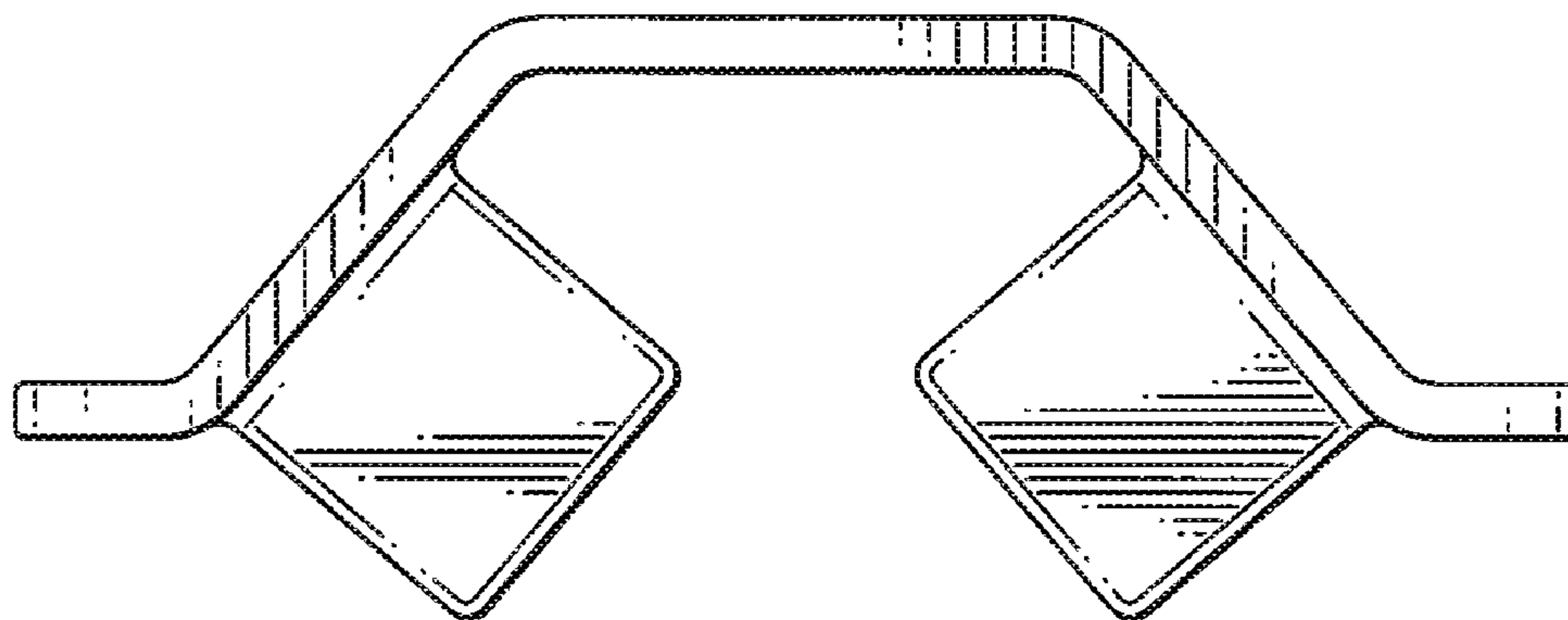


FIG. 4

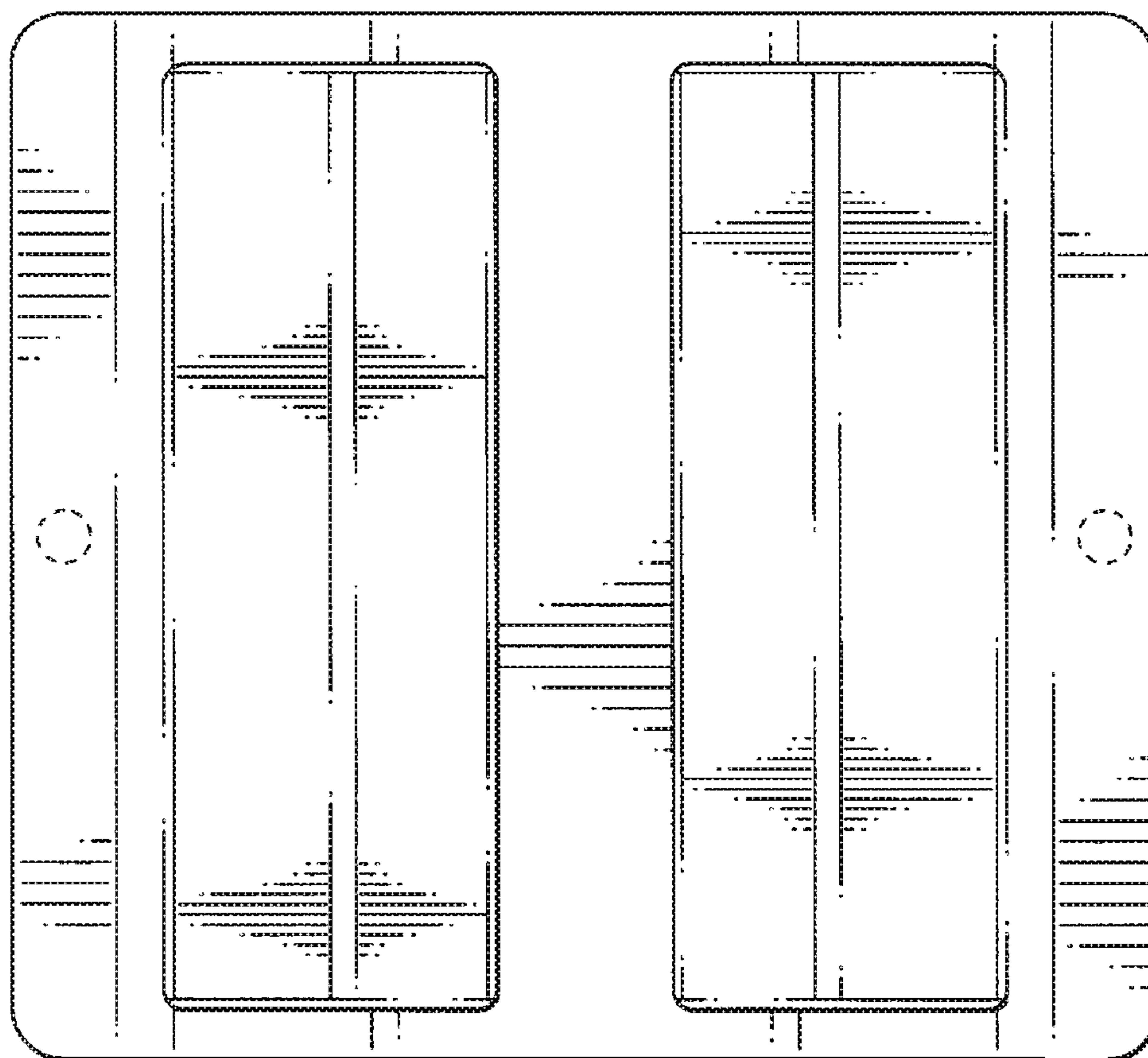


FIG. 5

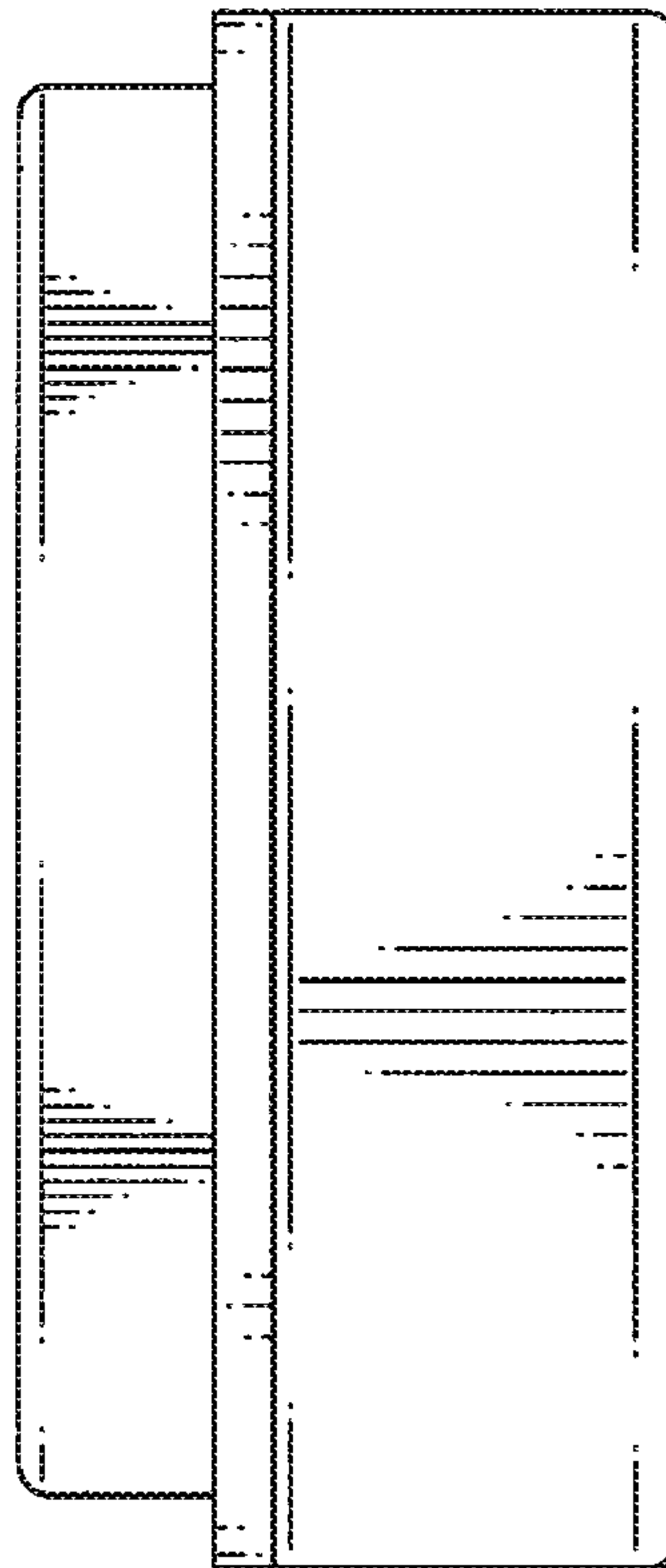


FIG. 6

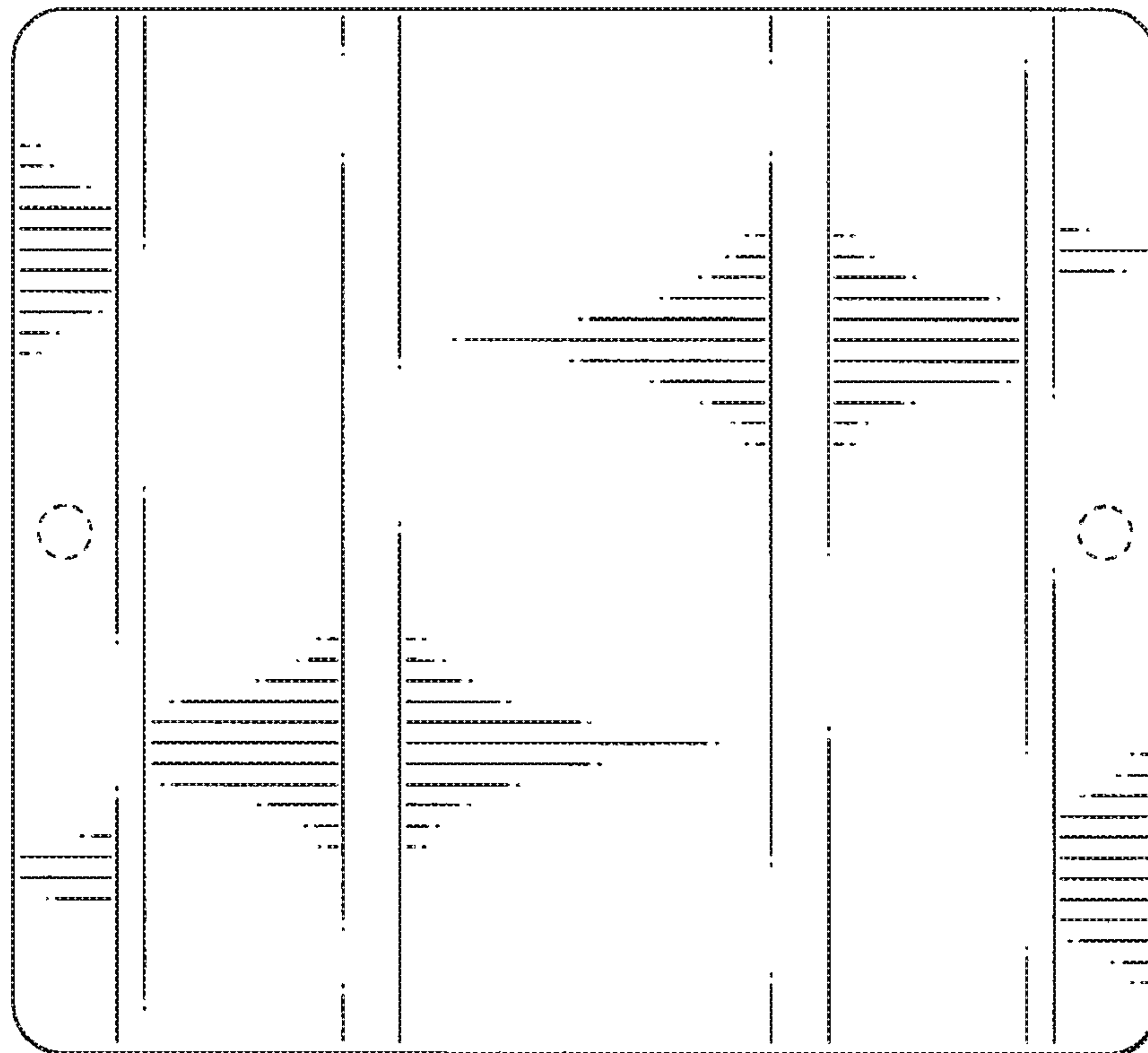


FIG. 7