



US00D603931S

(12) **United States Design Patent**
Lorentz

(10) **Patent No.:** **US D603,931 S**
(45) **Date of Patent:** **** Nov. 10, 2009**

(54) **FISHING GEAR RETRIEVAL APPARATUS**

(57) **CLAIM**

(76) **Inventor:** **Patrick J. Lorentz**, 3461 Nebula Cir.,
Anchorage, AK (US) 99517

The ornamental design for a fishing gear retrieval apparatus,
as shown and described.

(**) **Term:** **14 Years**

DESCRIPTION

(21) **Appl. No.:** **29/314,263**

FIG. 1 is a front elevation view of a first embodiment of a
fishing gear retrieval apparatus showing my new design.

(22) **Filed:** **Mar. 17, 2009**

FIG. 2 is rear elevation view of the first embodiment of the
invention

(51) **LOC (9) Cl.** **22-05**

FIG. 3 is top plan view of the first embodiment of the inven-
tion.

(52) **U.S. Cl.** **D22/149**

FIG. 4 is a bottom plan view of the first embodiment of the
invention.

(58) **Field of Classification Search** D22/149,
D22/134, 199; 43/17.2, 53.5; D8/40, 18,
D8/2

FIG. 5 is an environmental view of the first embodiment of the
invention showing the invention installed in a rope.

See application file for complete search history.

FIG. 6 is a front elevation view of a second embodiment of the
fishing gear retrieval apparatus.

(56) **References Cited**

U.S. PATENT DOCUMENTS

3,163,955	A *	1/1965	Lockwood	43/17.2
3,176,425	A *	4/1965	Mudd	43/17.2
3,550,303	A *	12/1970	Western	43/17.2
D228,457	S *	9/1973	Brower	D22/149
6,880,290	B2 *	4/2005	Mahoney	43/17.2
D515,659	S *	2/2006	Szymanski	D22/149

FIG. 7 is rear elevation view of the second embodiment of the
invention

FIG. 8 is top plan view of the second embodiment of the
invention.

FIG. 9 is a bottom plan view of the second embodiment of the
invention; and,

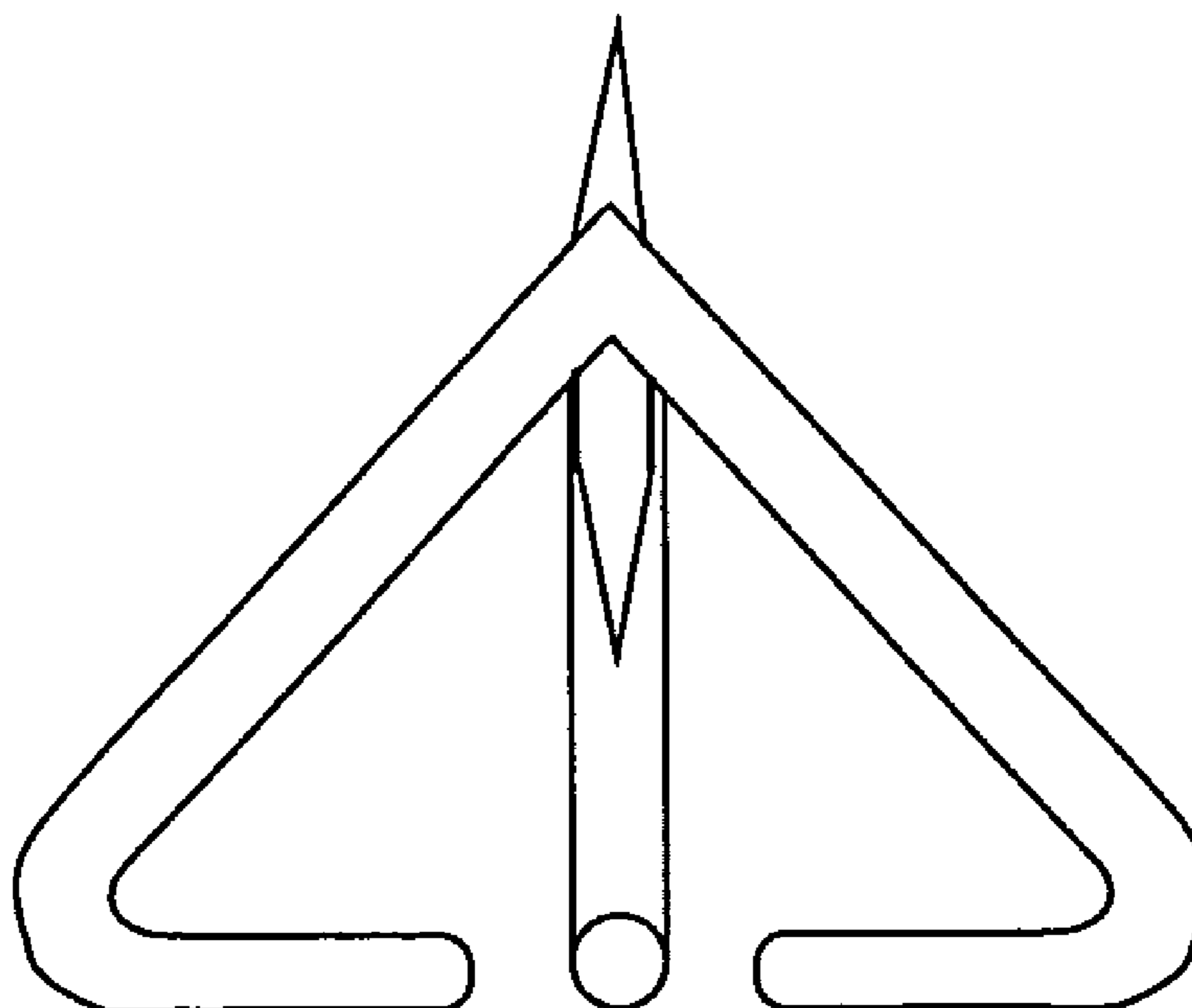
FIG. 10 is an environmental view of the second embodiment
of the invention showing the invention installed in a rope.

* cited by examiner

The dashed lines showing the rope and dips in FIGS. 5 and 10
are for illustrative purposes only and form no part of the
claimed design.

Primary Examiner—Catherine R Oliver
(74) *Attorney, Agent, or Firm*—Michael Tavella

1 Claim, 4 Drawing Sheets



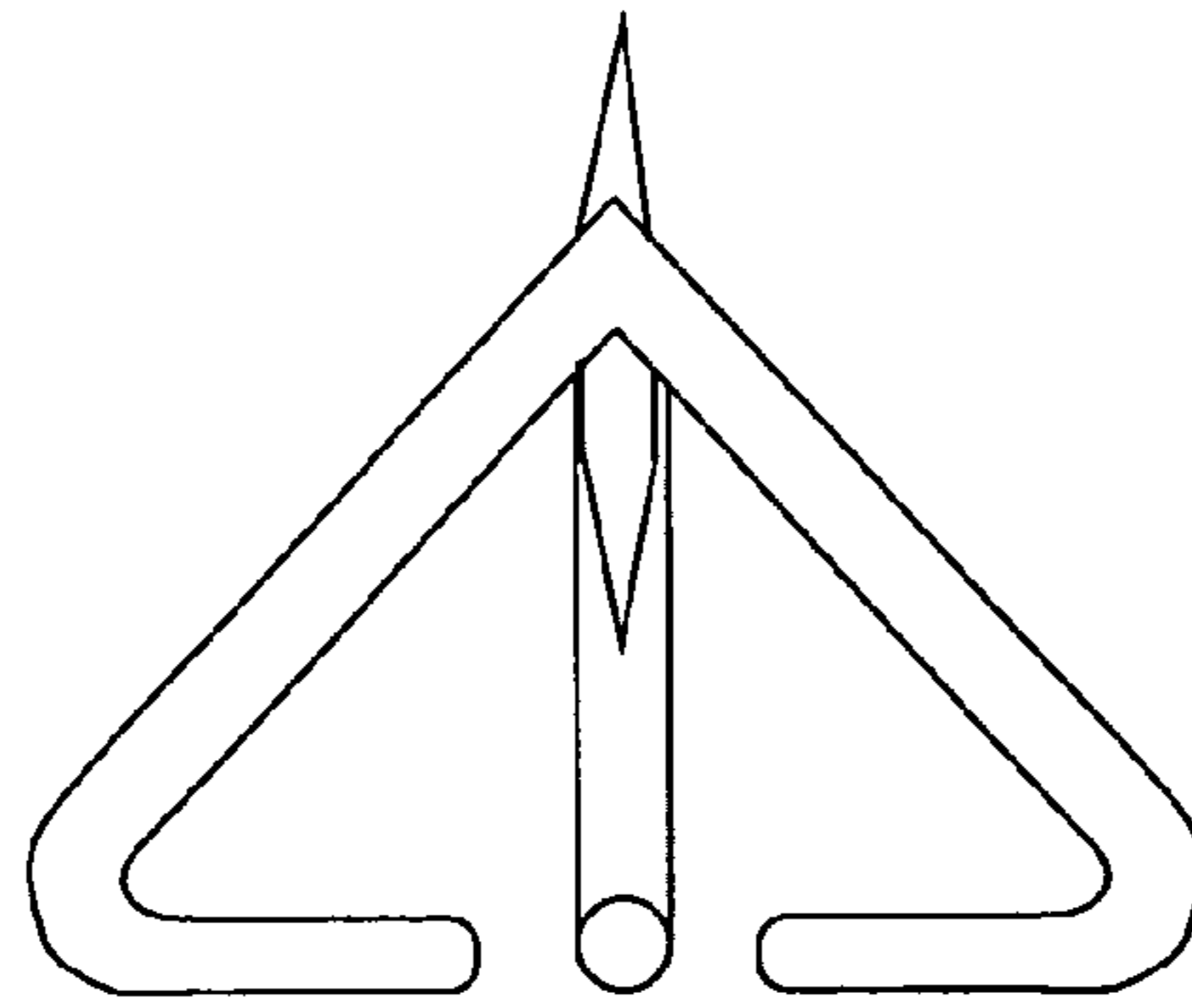


Figure 1

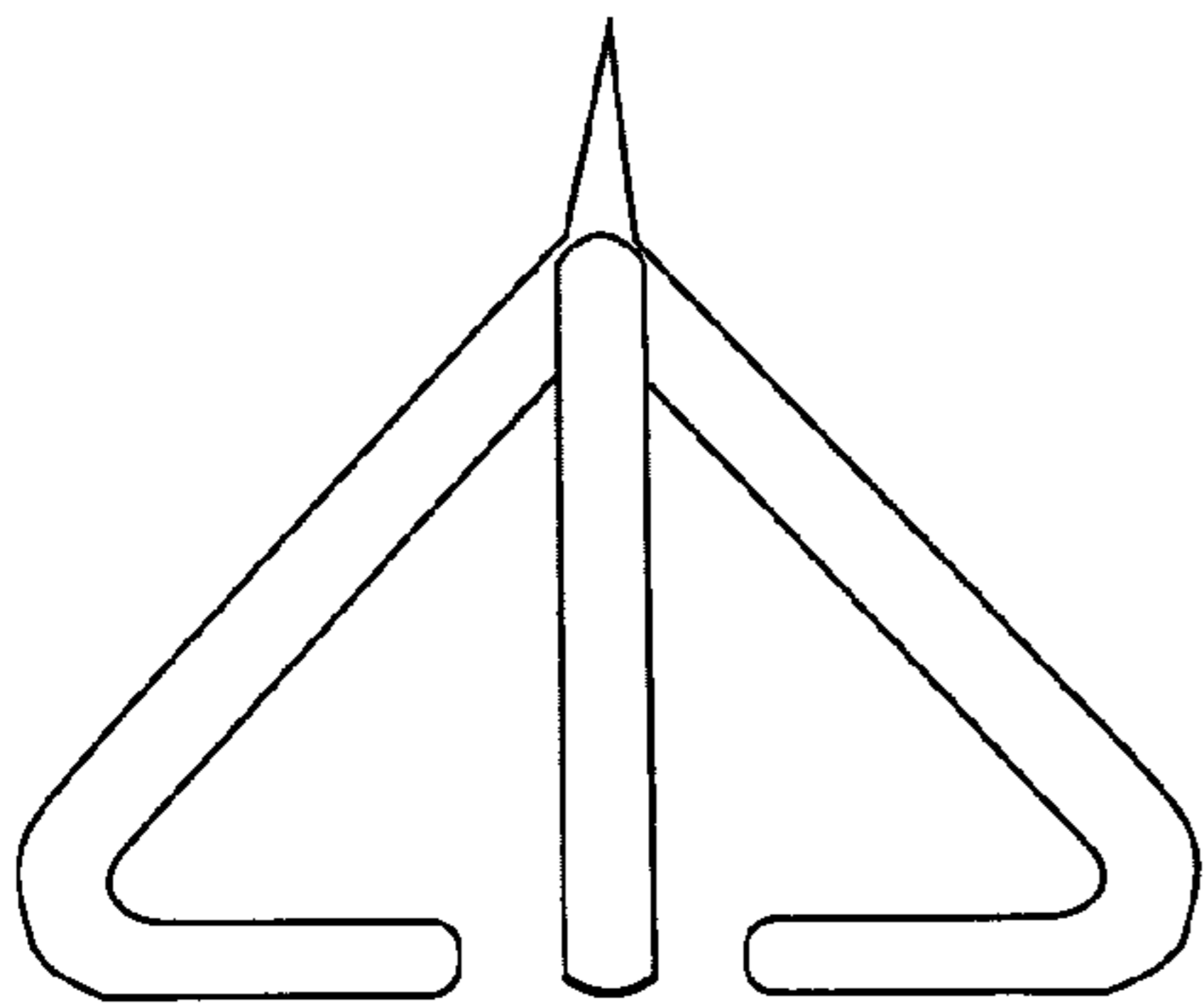


Figure 2

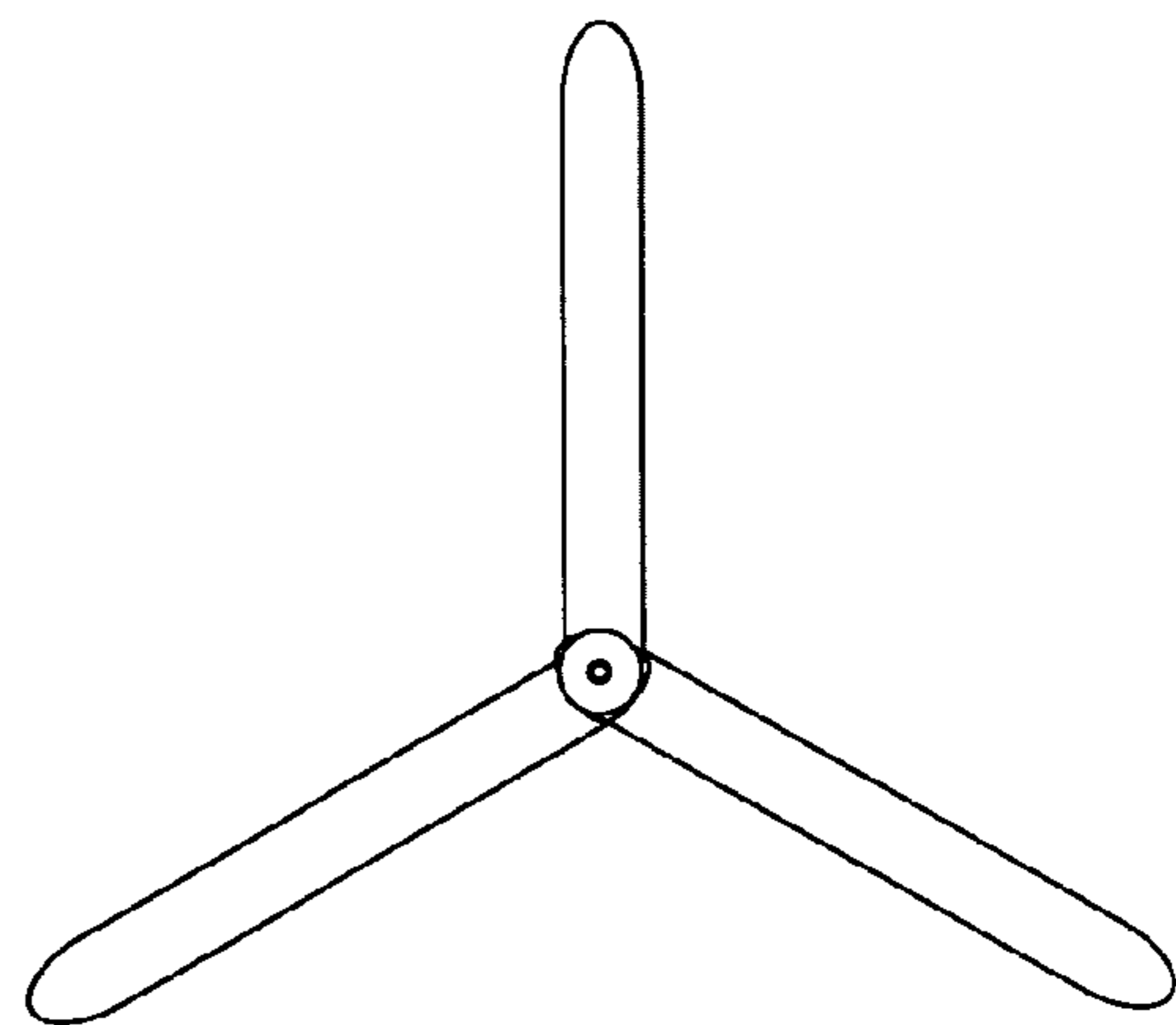


Figure 3

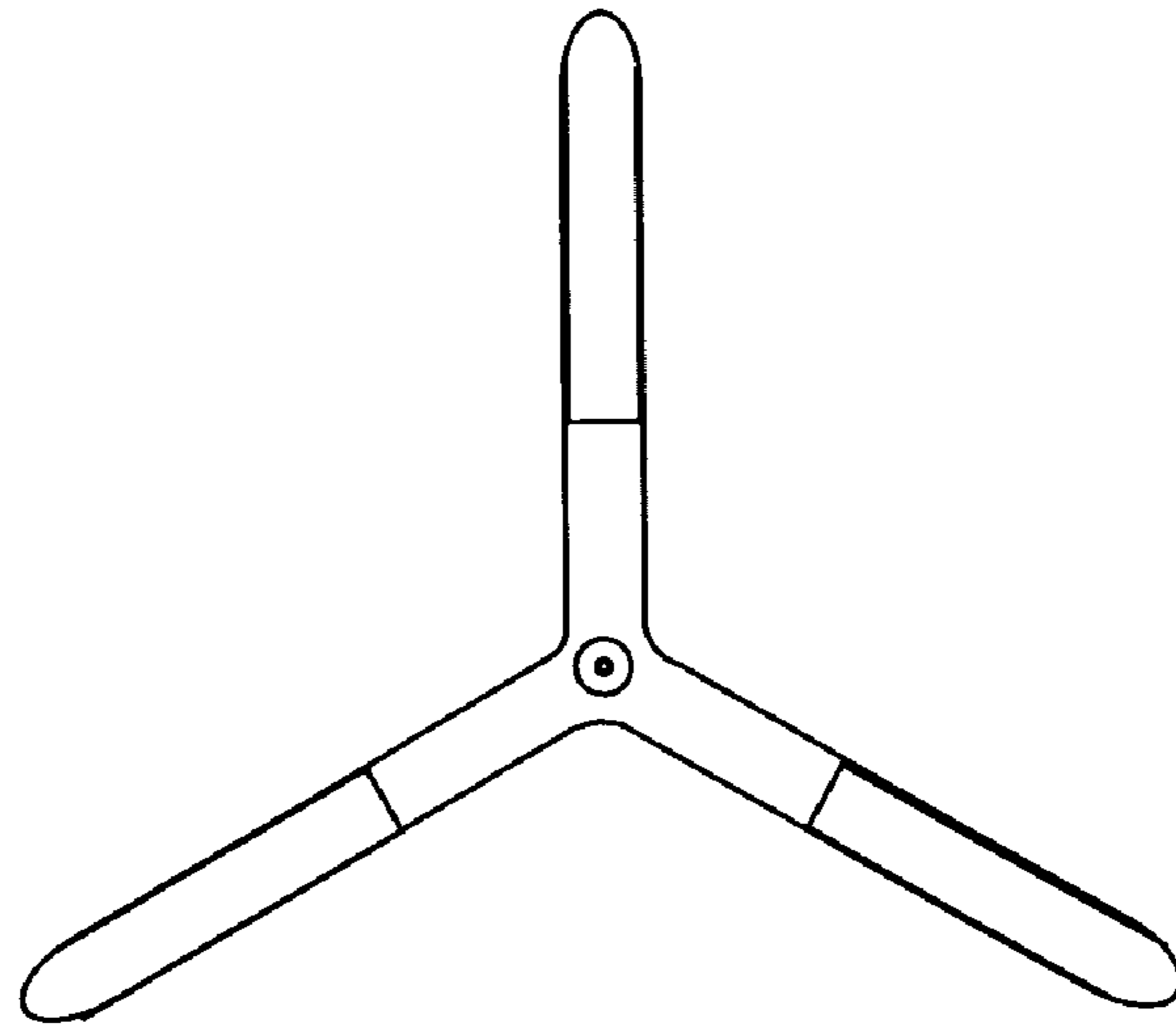


Figure 4

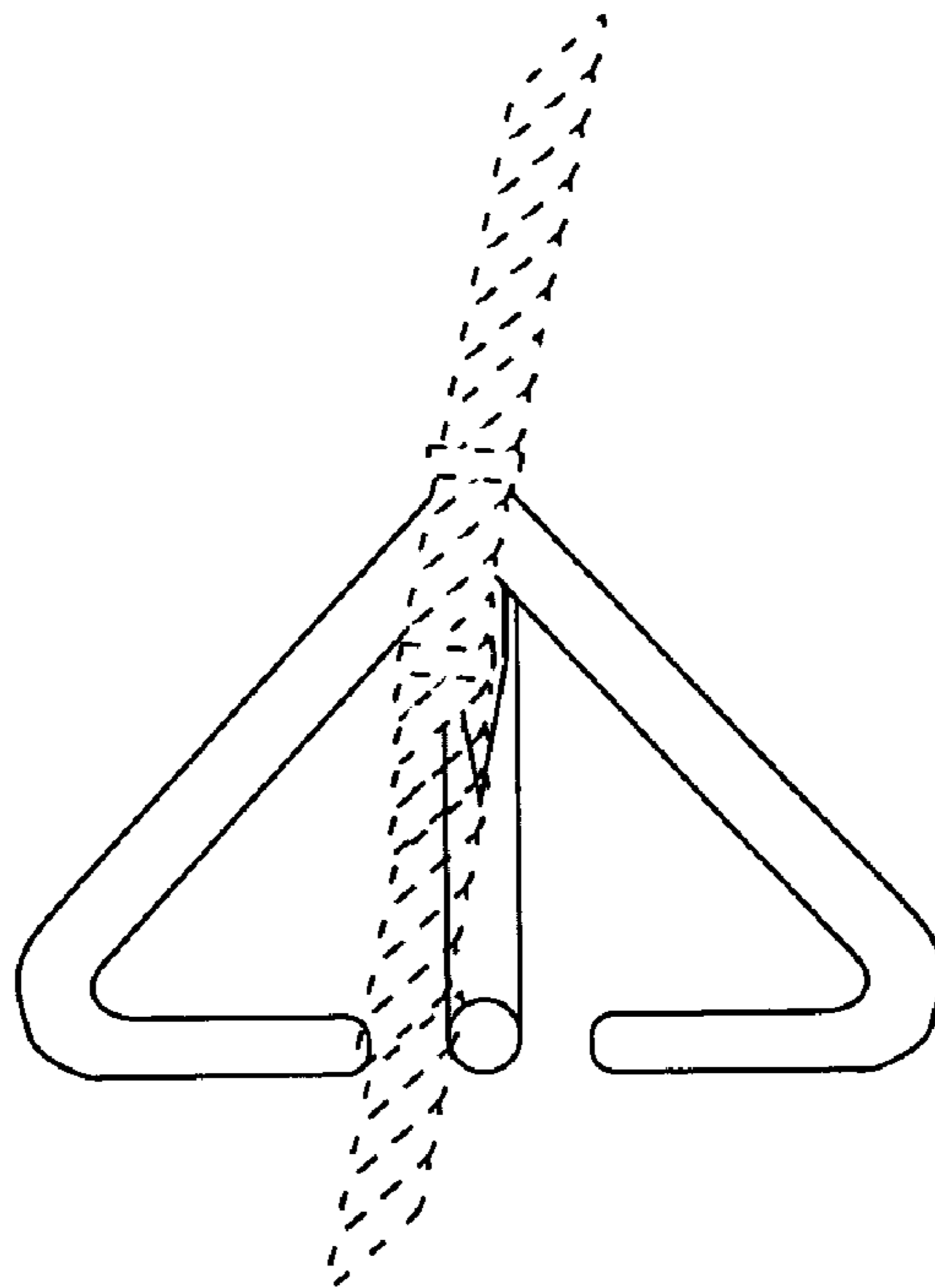


Figure 5

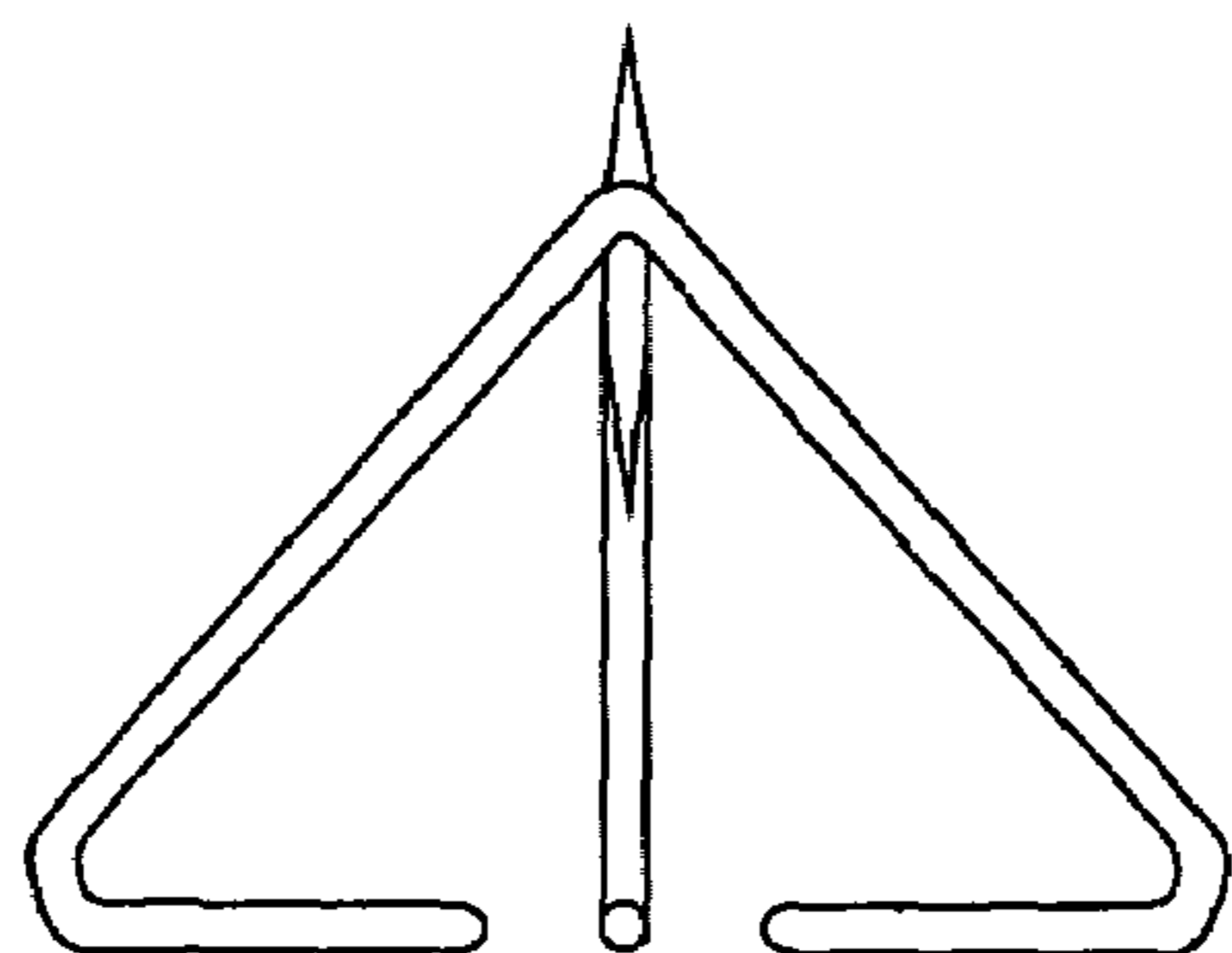


Figure 6

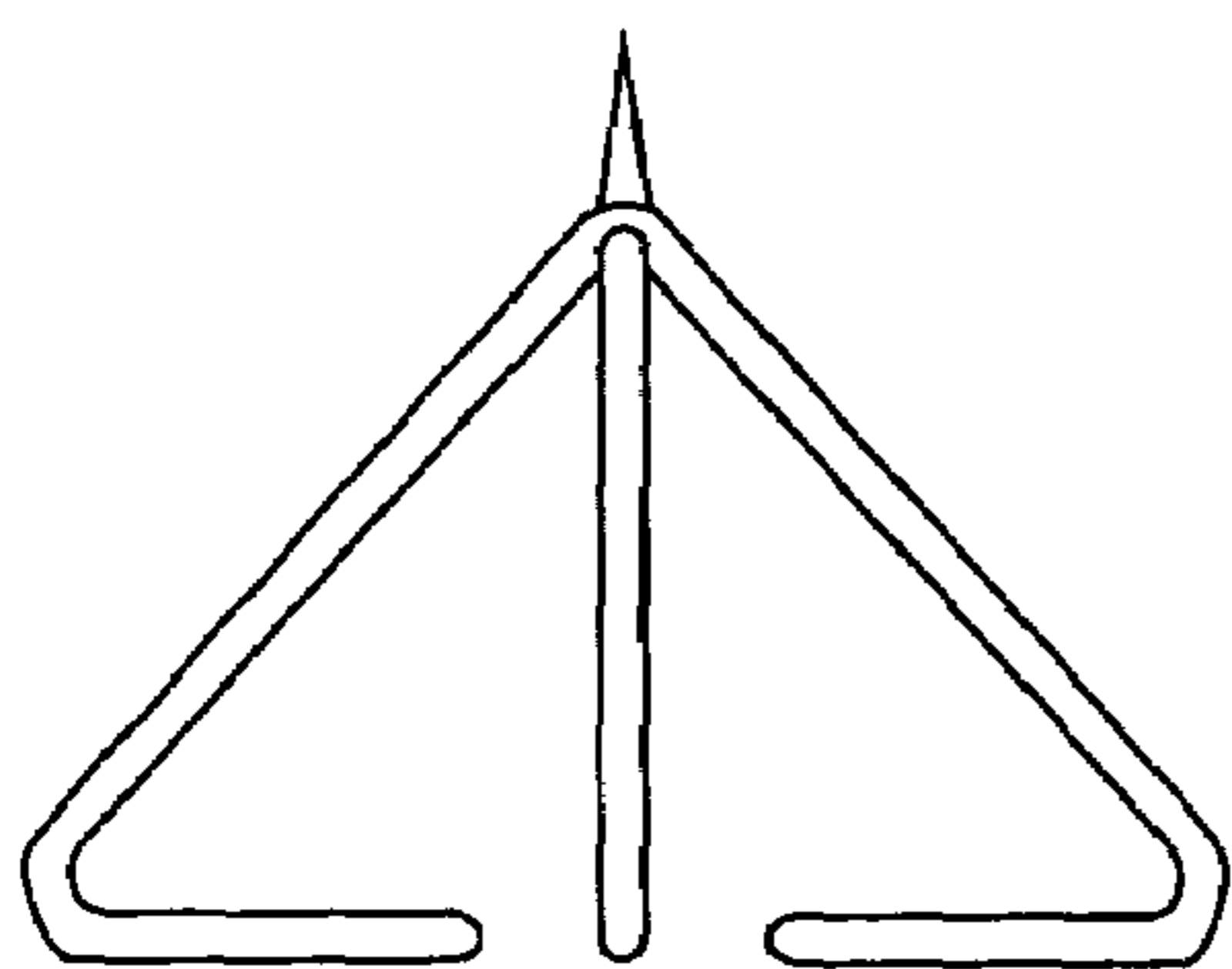


Figure 7

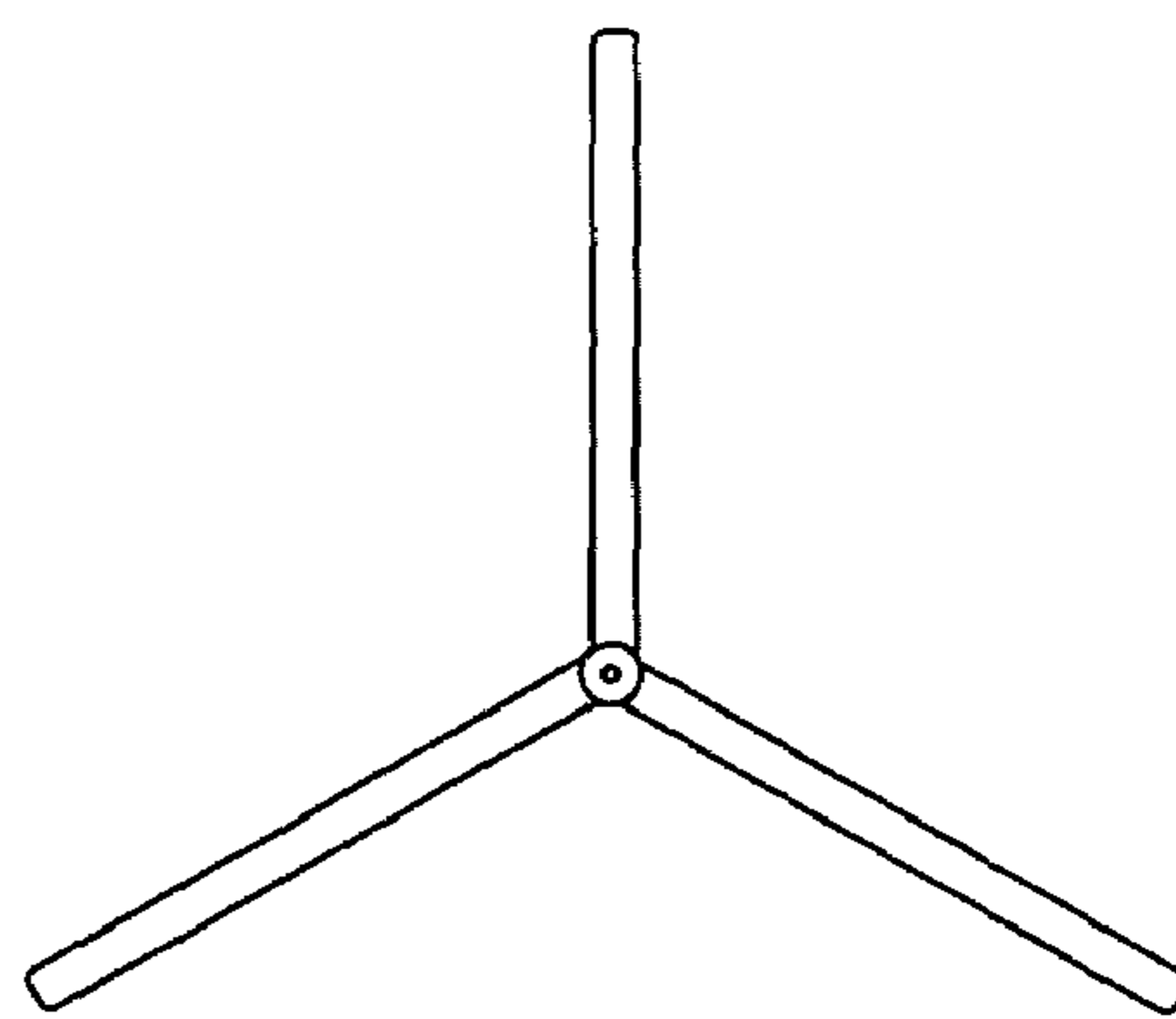


Figure 8

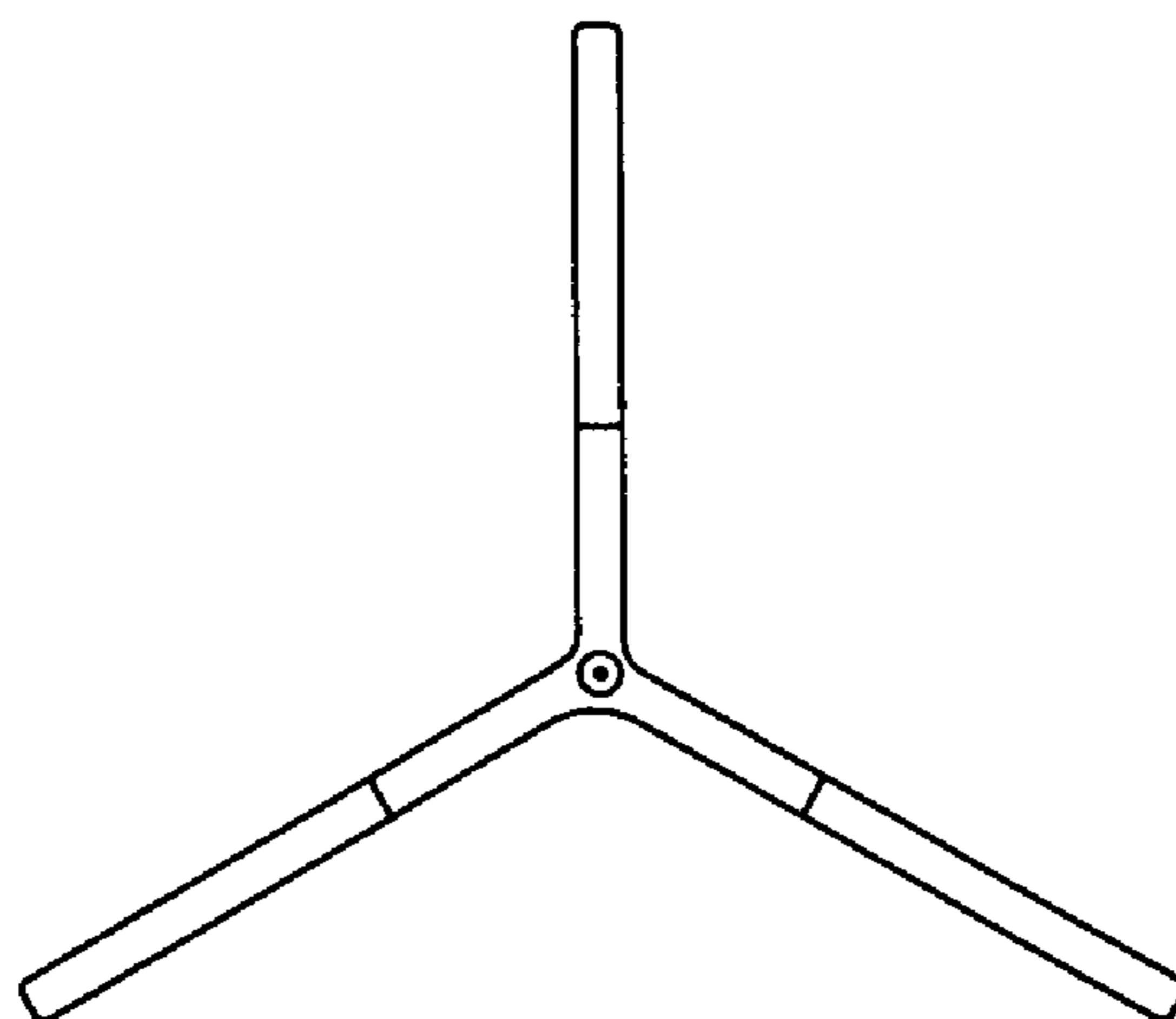


Figure 9

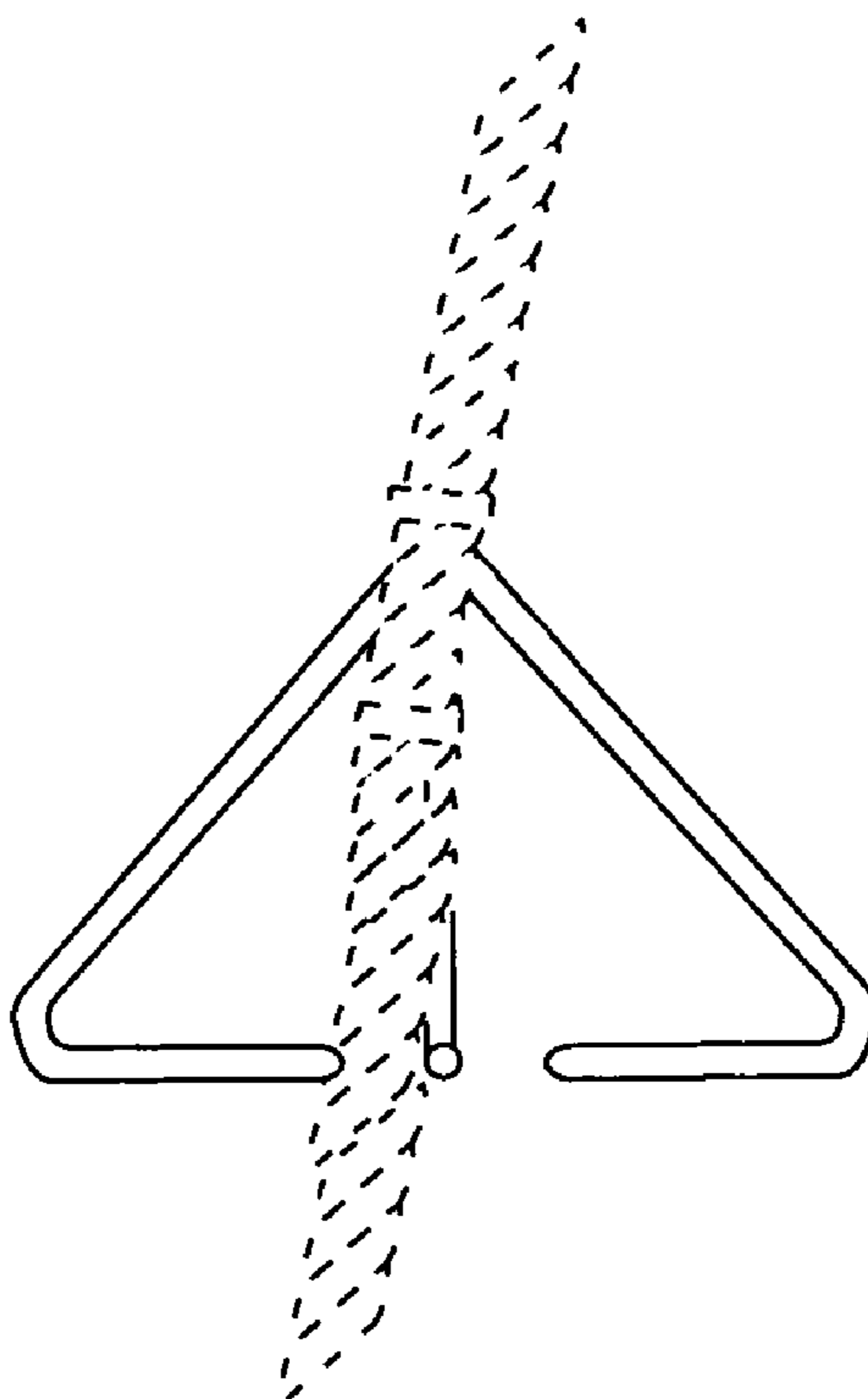


Figure 10