



US00D603929S

(12) **United States Design Patent**  
**Bengtsson**

(10) **Patent No.:** **US D603,929 S**

(45) **Date of Patent:** **\*\* Nov. 10, 2009**

(54) **FASTENER FOR SIGHT**

(75) Inventor: **Peter Bengtsson**, Oxie (SE)

(73) Assignee: **GS Development AB**, Malmö (SE)

(\*\*) Term: **14 Years**

(21) Appl. No.: **29/317,589**

(22) Filed: **May 2, 2008**

(30) **Foreign Application Priority Data**

Jan. 21, 2008 (EM) ..... 000860960-0002

(51) **LOC (9) Cl.** ..... **22-01**

(52) **U.S. Cl.** ..... **D22/110**

(58) **Field of Classification Search** ..... D22/100,  
D22/108, 109, 110, 199; 42/11, 72, 75.02,  
42/71.01, 85, 90, 106, 114, 113, 116, 119,  
42/124, 125, 127, 145, 128; 248/201, 205.1

See application file for complete search history.

(56) **References Cited**

**U.S. PATENT DOCUMENTS**

D235,339 S *	6/1975	Langgatan	.....	D22/109
D429,790 S *	8/2000	Plonka	.....	D22/110
6,594,938 B2 *	7/2003	Horton	.....	42/127
6,629,381 B1 *	10/2003	Keng	.....	42/124
2002/0162267 A1 *	11/2002	Nelson et al.	.....	42/120
2004/0103577 A1 *	6/2004	Compton	.....	42/85
2004/0255505 A1 *	12/2004	Fitzpatrick	.....	42/72
2008/0072471 A1 *	3/2008	Keng	.....	42/124
2008/0178511 A1 *	7/2008	Storch et al.	.....	42/90

2008/0216380 A1\* 9/2008 Teetzel ..... 42/127  
2008/0253110 A1\* 10/2008 Wu ..... 362/113

\* cited by examiner

*Primary Examiner*—T. Chase Nelson

*Assistant Examiner*—Michael A Pratt

(74) *Attorney, Agent, or Firm*—Thomas, Kayden,  
Horstemeyer & Risley, LLP; Todd Deveau

(57) **CLAIM**

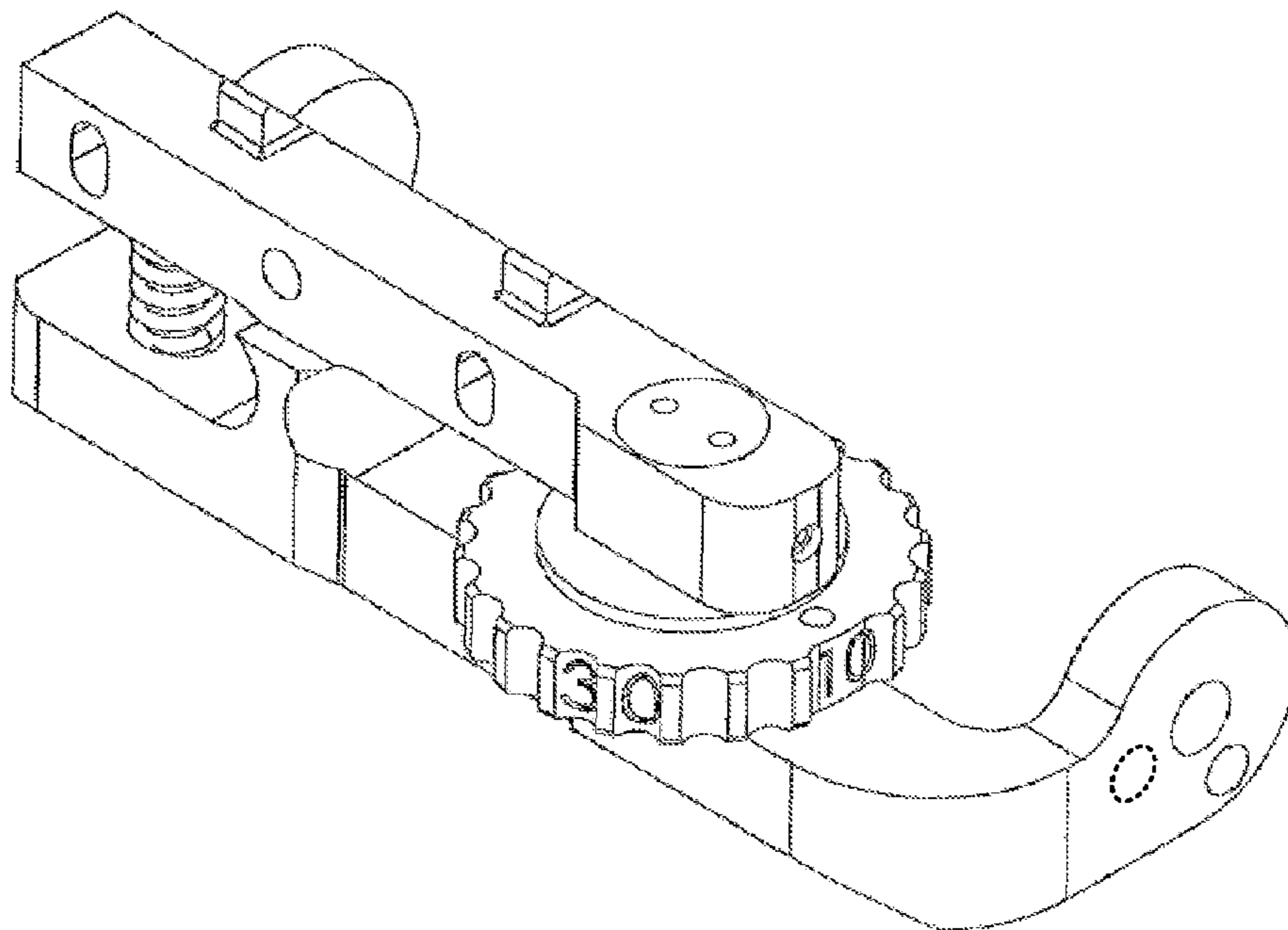
The ornamental design for a fastener for sight, as shown and described.

**DESCRIPTION**

FIG. 1 is a perspective top view of my new fastener for sight; FIG. 2 is an end view of my new fastener for sight of FIG. 1; FIG. 3 is a side elevational view of my new fastener for sight; FIG. 4 is a side elevational view of my new fastener for sight from the side opposite that of FIG. 3; FIG. 5 is an end view of my new fastener for sight from the end opposite that of FIG. 2; FIG. 6 is a top plan view thereof; and, FIG. 7 is a bottom plan view thereof.

The broken line showing of the pattern of concentric circles that recede in size in FIG. 2, the small raised feature that has tapered sides and a flat top of FIGS. 3, 6 and 7, and the central circular opening illustrated by two concentric circles of FIG. 3 is for the purpose of illustrating environmental structure and forms no part of the claimed design.

**1 Claim, 7 Drawing Sheets**



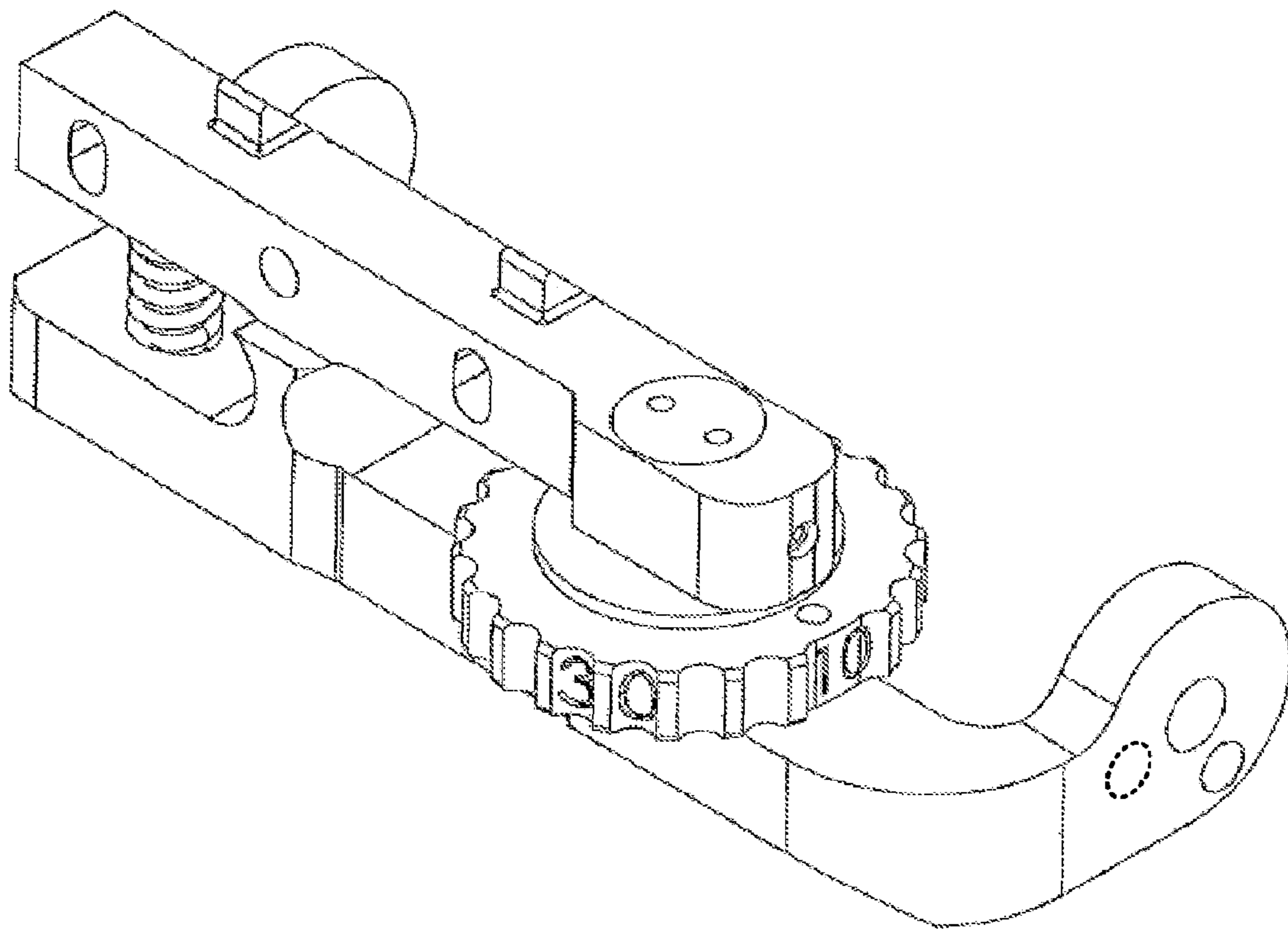
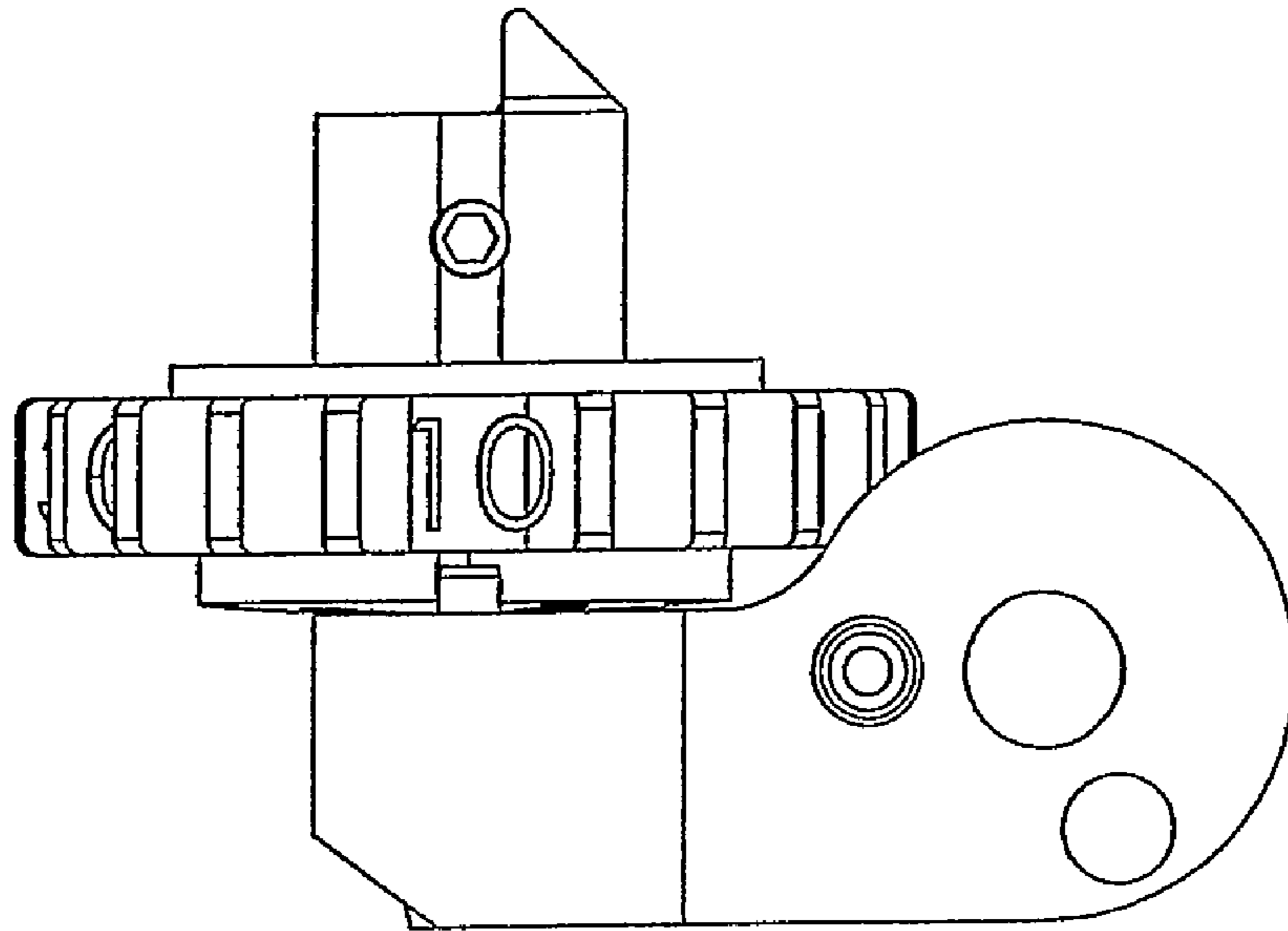


FIG. 1



**FIG. 2**

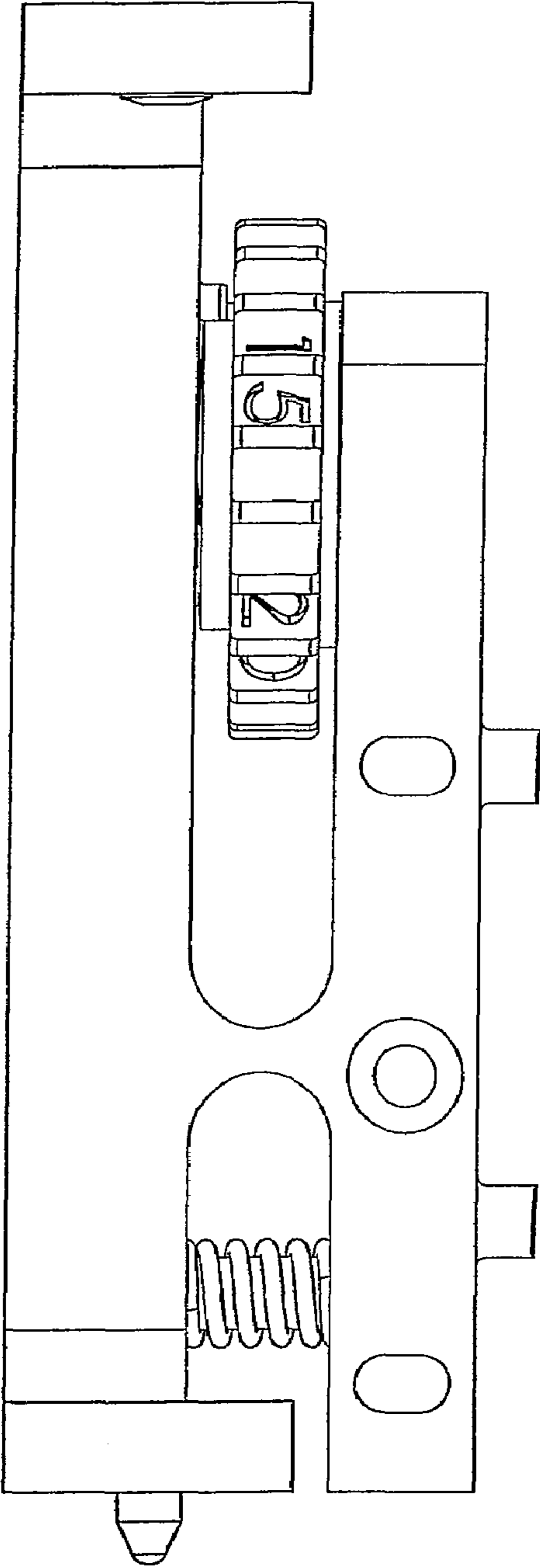


FIG. 3

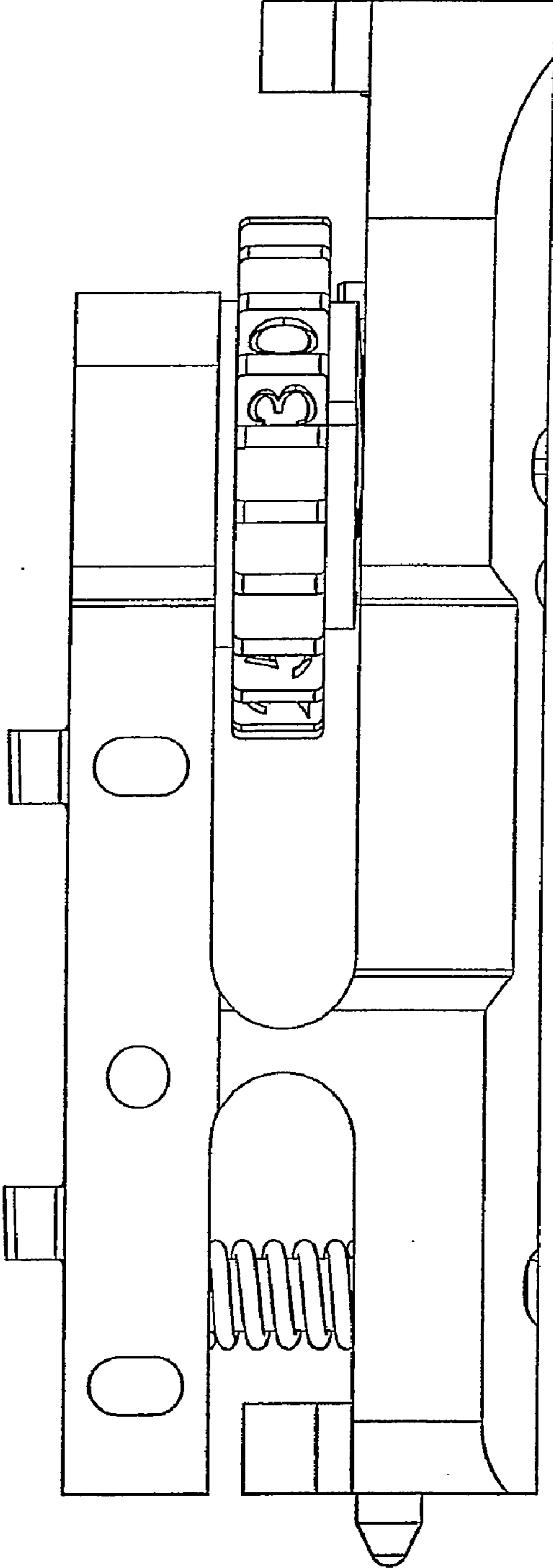


FIG. 4

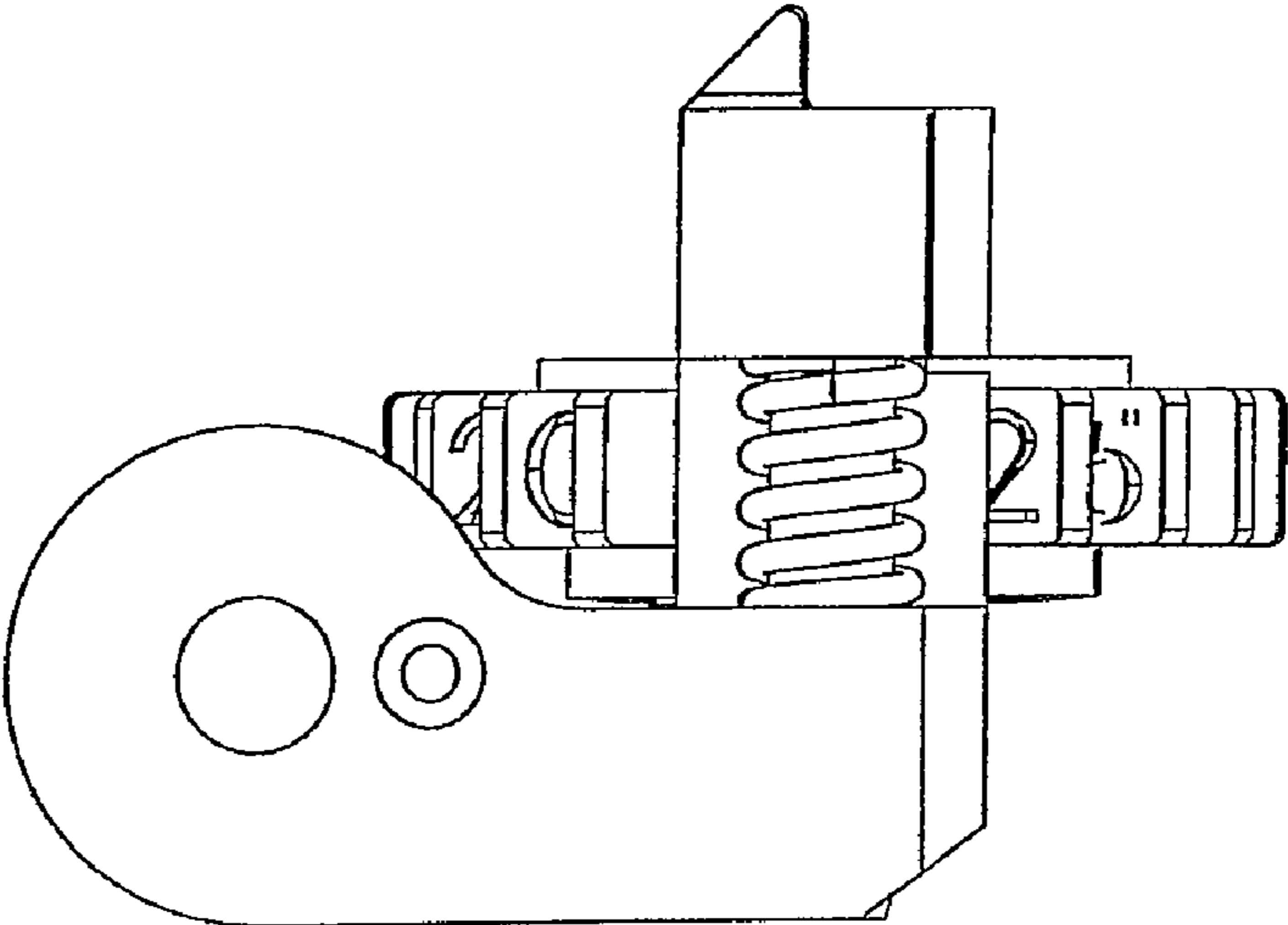


FIG. 5

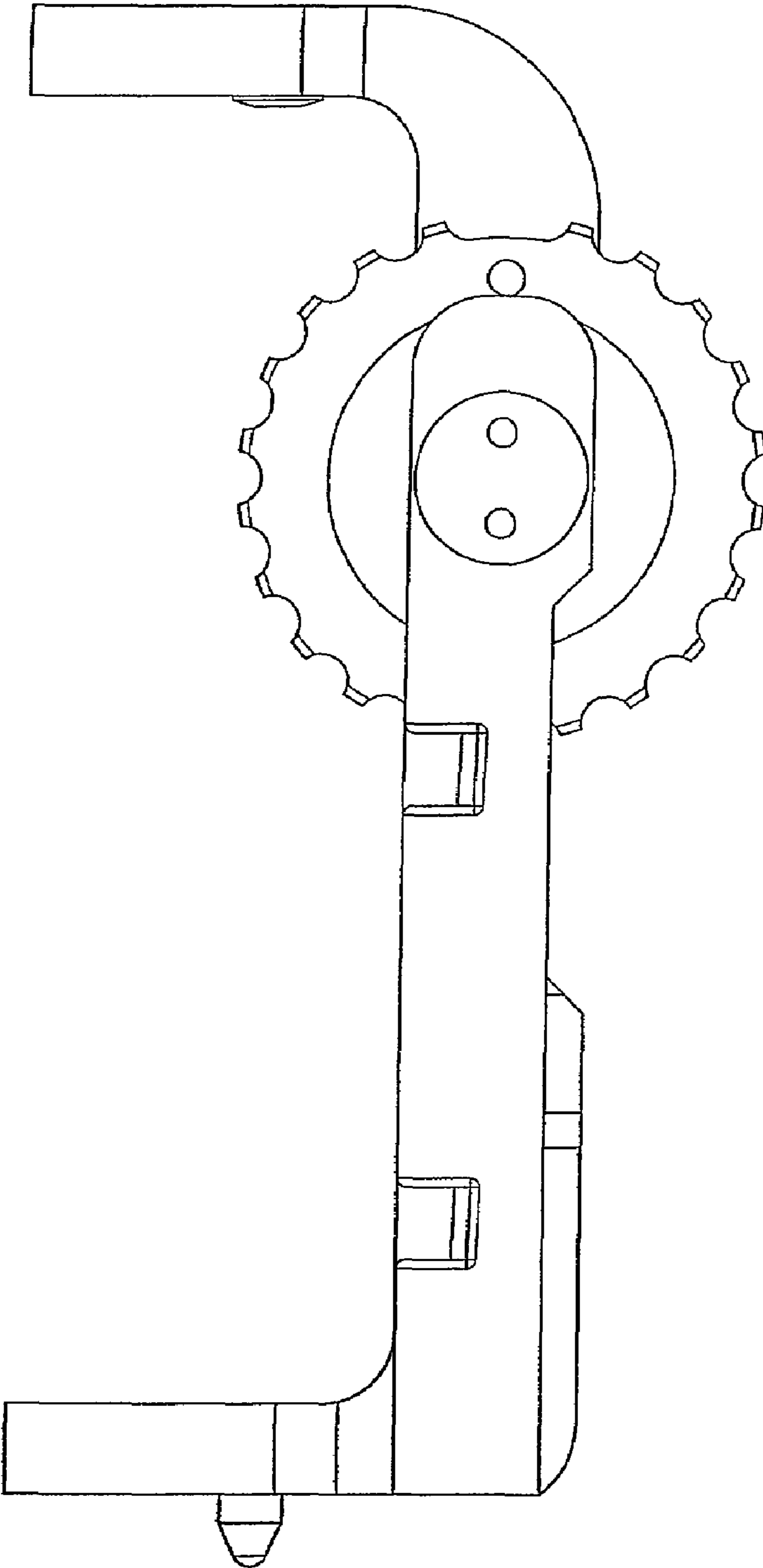


FIG. 6

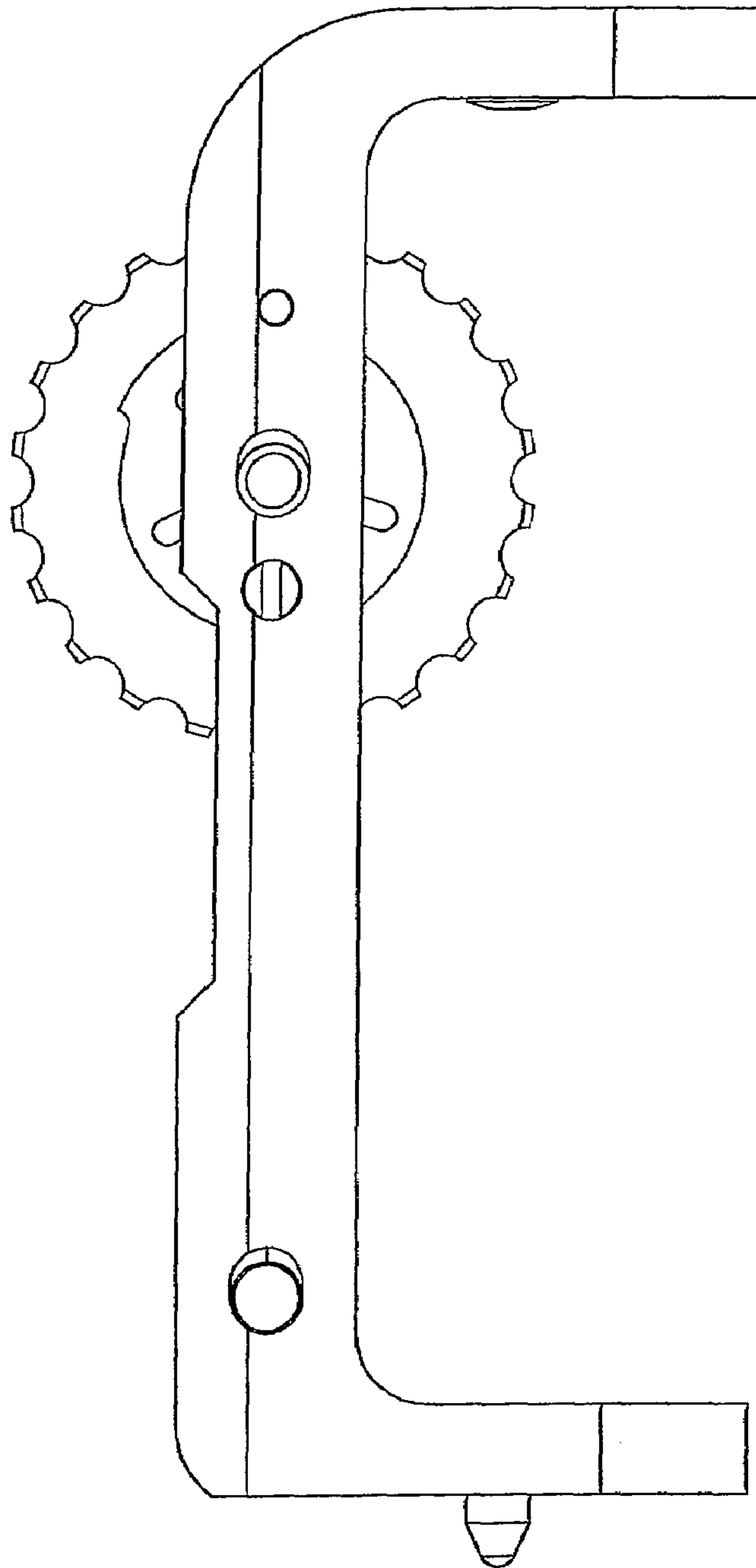


FIG. 7